

STEREO MICROSCOPE ST60 SERIES INSTRUCTIONS

This instruction manual is for the Stereo Microscope ST60 series . To ensure the safety and obtain optimum performance and familiarize yourself fully with the use of this microscope , we recommend that you read this manual thoroughly before operating the microscope . Retain this instruction manual in an easily accessible place near the microscope for further reference.

Contents

1. Before use	1
2. Nomenclature	2
3. Assemblage	4
4. Operation	
4-1 Use the glass stage.....	6
4-2 Adjust the degree of tightness of the focusing arm.....	6
4-3 Set the specimen side.....	6
4-4 Adjust diopter and focus.....	6
4-5 Adjust the interpupillary distance.....	6
4-6 Use Eyepiece shields.....	7
4-7 Mount and Remove the Optional Eyepiece Micrometer	7
4-8 Install the illumination device.....	7
4-9 Choose the optical system.....	7
4-10 Mount the photo eyepiece and the PK-mount adapter.....	7
4-11 Adjust the CTV.....	8
4-12 Adjust the brightness of the bottom light	8
4-13 Replace the lamps	8
4-14 Replace the fuse.....	8
5. Configuration	9
6. Technical parameter	11
7. Troubleshooting	13

1 Before use

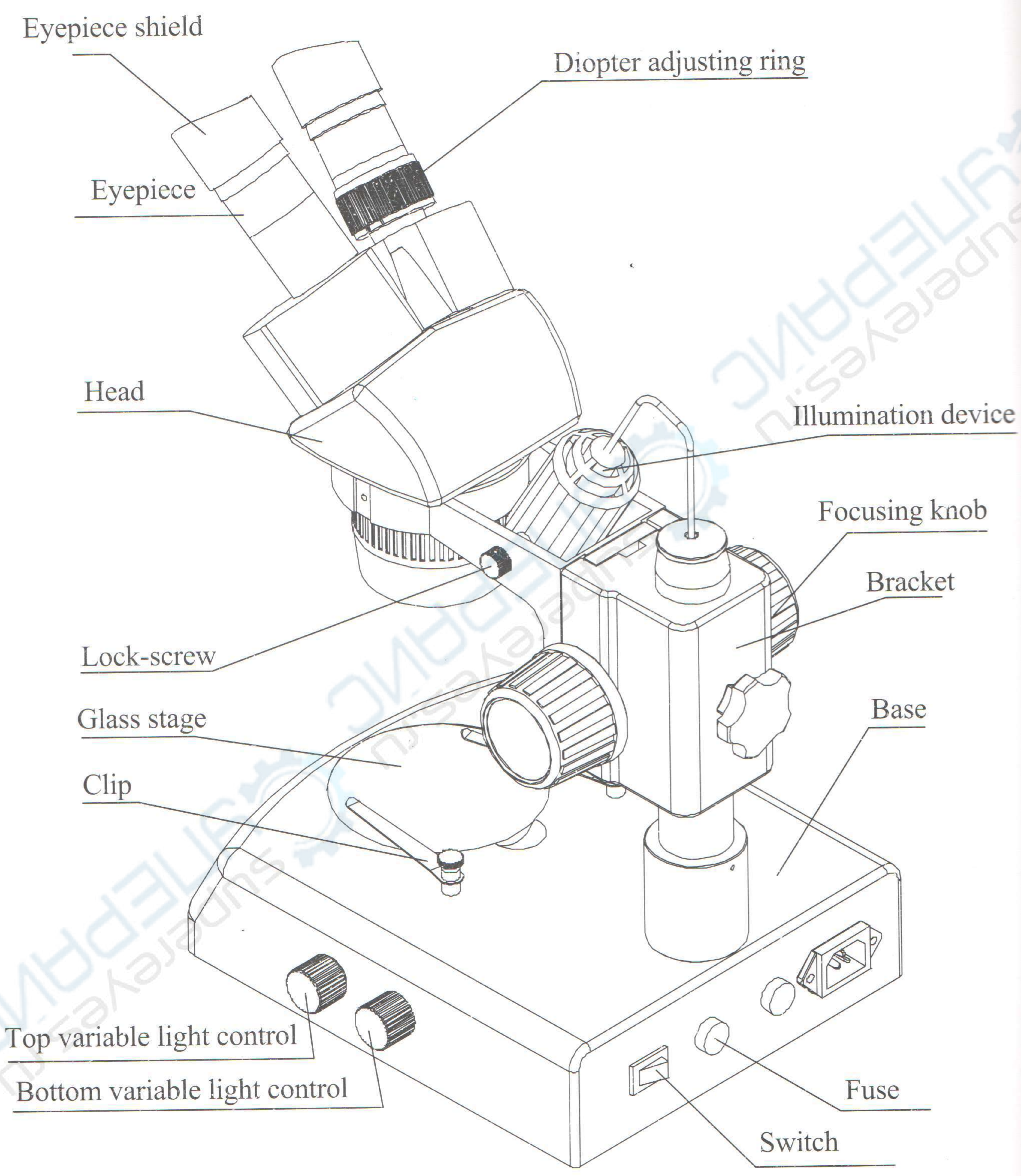
1-1 Notice

- 1) Microscope ought to be placed in a dry and clean place. Do not expose the microscope in the sun directly. Avoid high temperature and violent vibration.
- 2) Microscope is a precision instrument, so handle with care, avoiding impact or abrupt movement during transportation.
- 3) To keep the image clear, do not leave fingerprints or stains on the surfaces of the lens.
- 4) Never turn the left and right focusing knob in the adverse direction at the same time, otherwise the microscope will be damaged.

1-2 Maintenance

- 1) All lenses must be kept clean. Fine dust on the surface of the lens should be blown off with hand blower or wiped off gently with a soft lens tissue; Fingerprints or oil marked on it should be wiped off with a tissue moistened with a small amount of a 3:7 mixture of alcohol and ether.
- 2) Never use the organic solution to clean the other surface (especially the plastic surfaces). If necessary, please choose the neutral detergent.
- 3) Do not take the microscope apart for fearing that it is damaged.
- 4) After using, cover the microscope with the dust-cover provided and store it in a dry and clean place free from moisture to prevent rust.
- 5) To keep the performance of the microscope, please check it periodically. The detail can be gotten from the agent nearby.

2 Nomenclature



Eyepiece shield

Diopter-adjusting ring

Phototube

Eyepiece

Focusing bracket

Head

Glass stage

Clip

Base

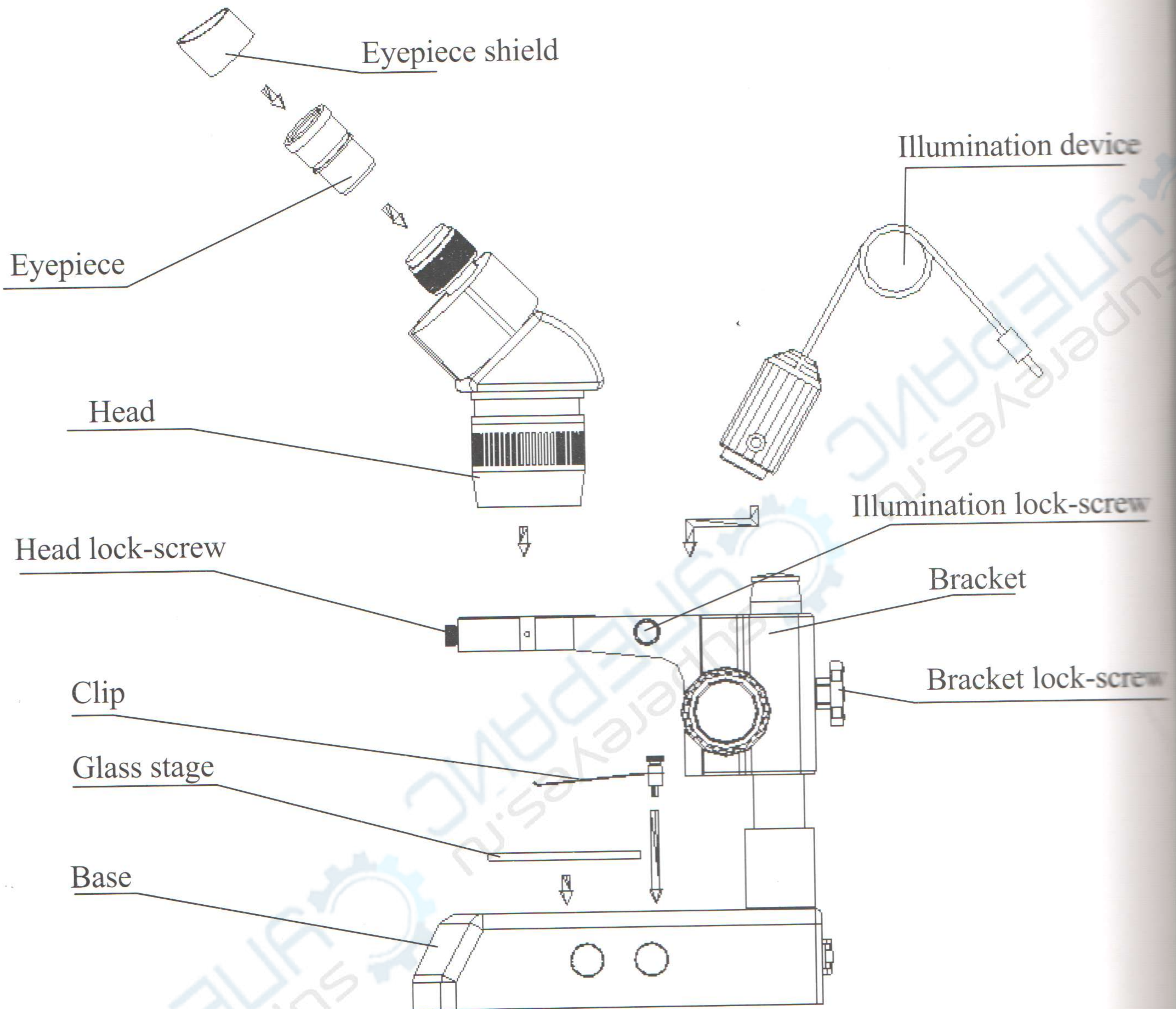
Top variable light control

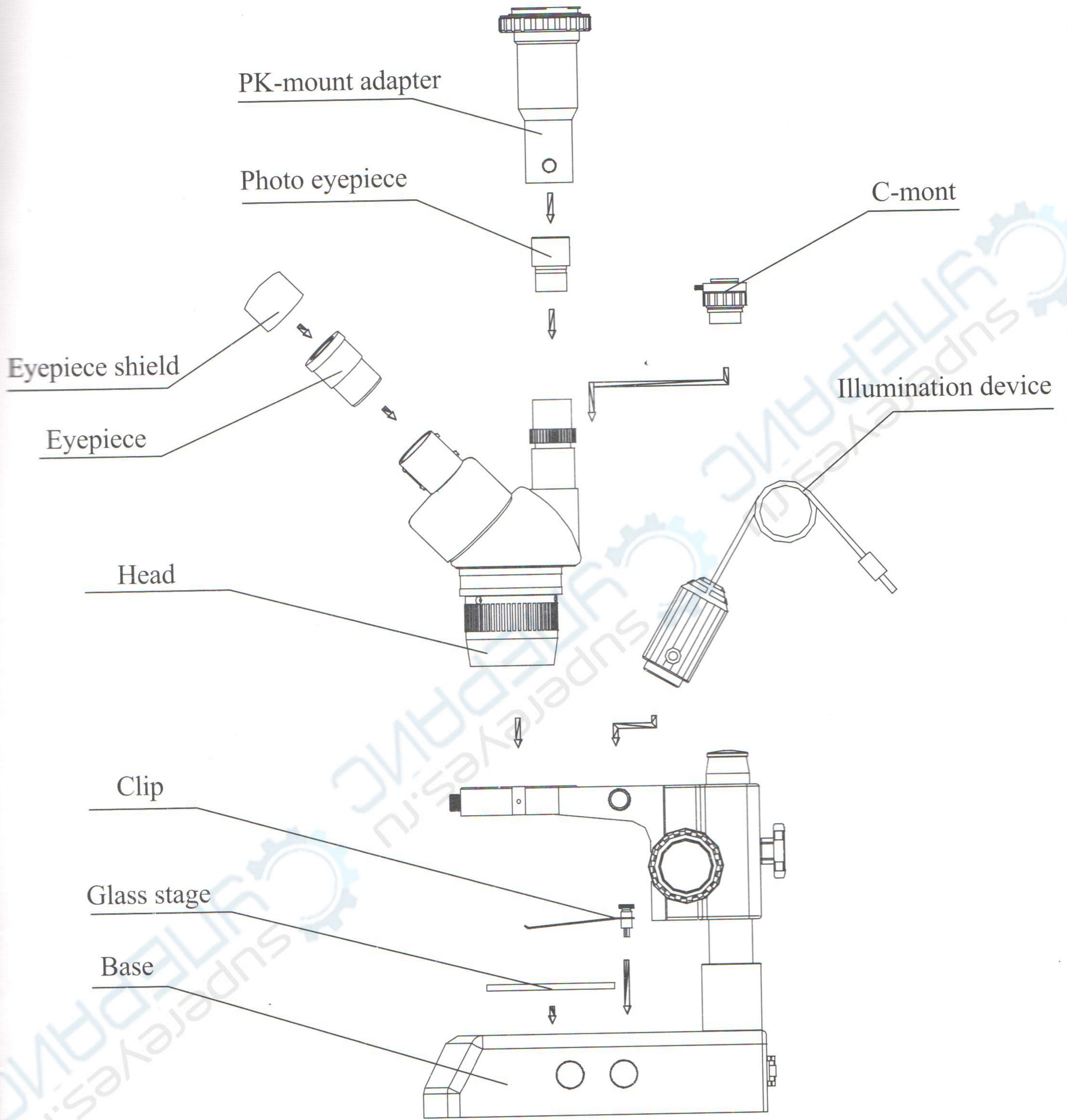
Bottom variable light control

Fuse

Switch

3 Assemblage





4 Operation

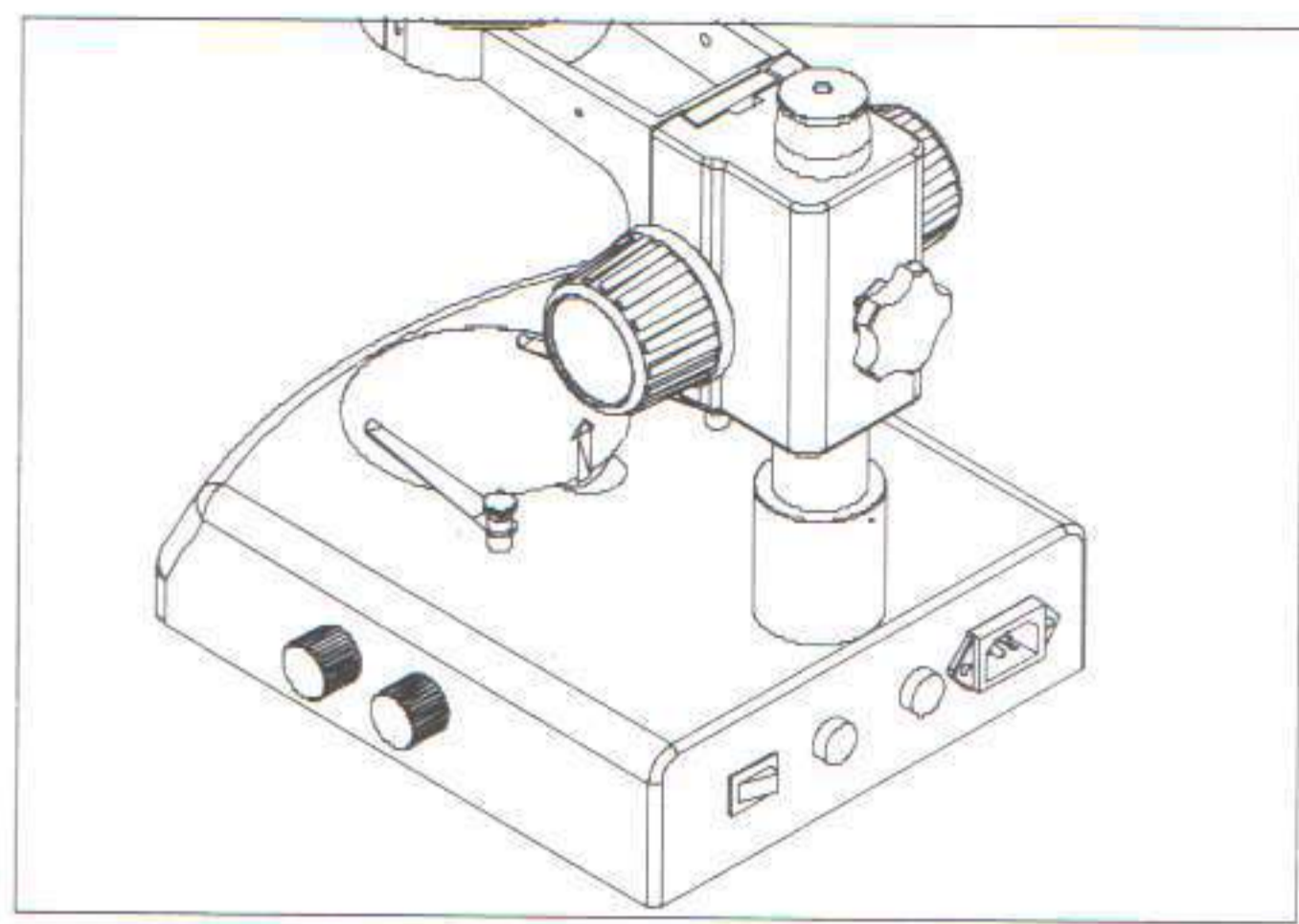


Fig. 1

4-1 Use the glass stage

- 1) Press the glass stage on the sunken place then the other side of the glass stage will be lifted. (Fig. 1)

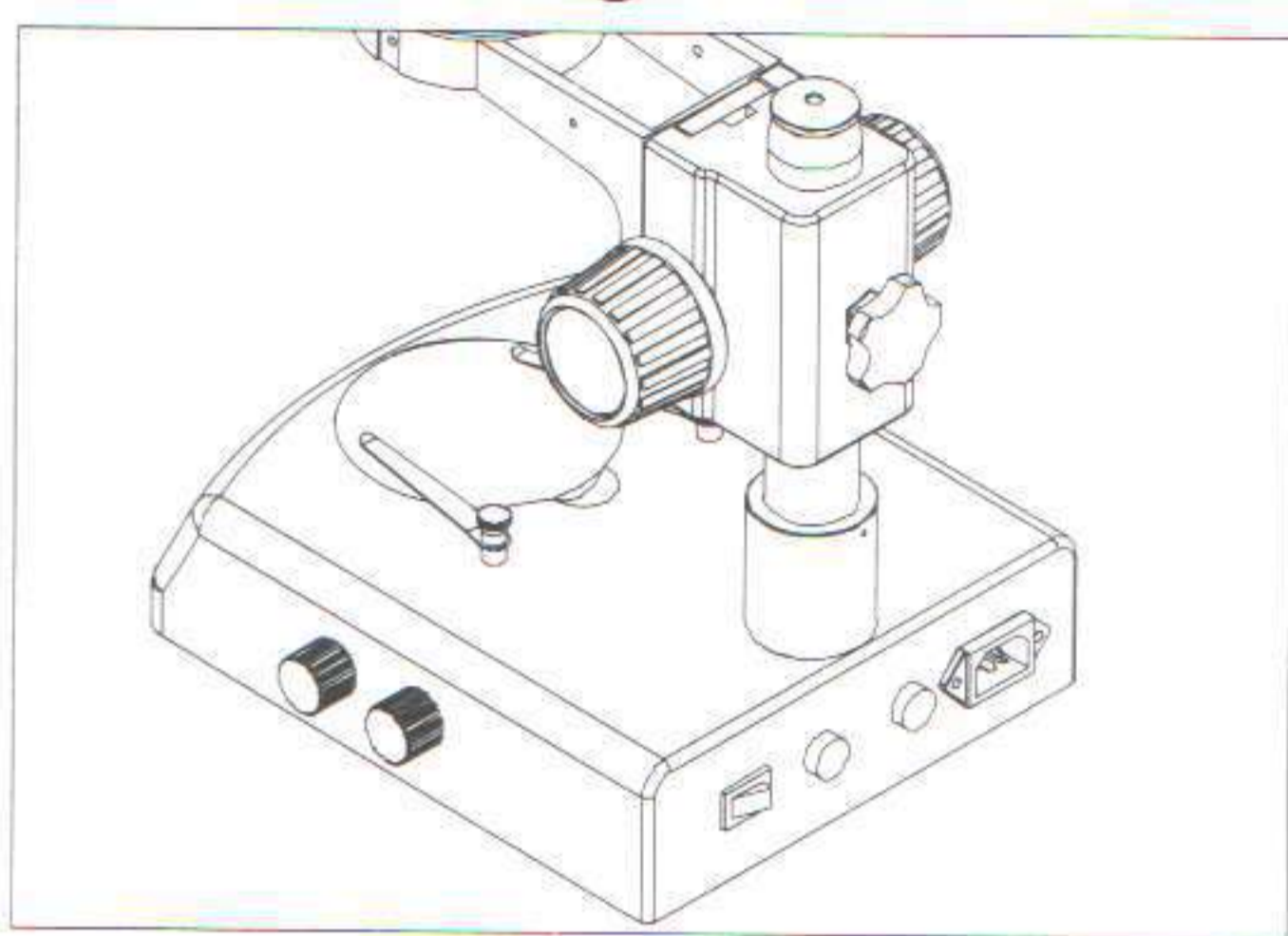


Fig. 2

4-2 Adjust the degree of tightness of the focusing arm

- 1) If you want to adjust the degree of tightness of the focusing arm, you can hold one of the focusing knob and turn another one to attain a suitable position. The degree of tightness relies on the direction to be turned. The clockwise direction is tight, otherwise, is loose.
- 2) The suitable position of the tightness can make the adjustment more comfortable and prevent the focusing bracket from slipping down by its weight during the observation. (Fig. 2)

4-3 Set the specimen slide

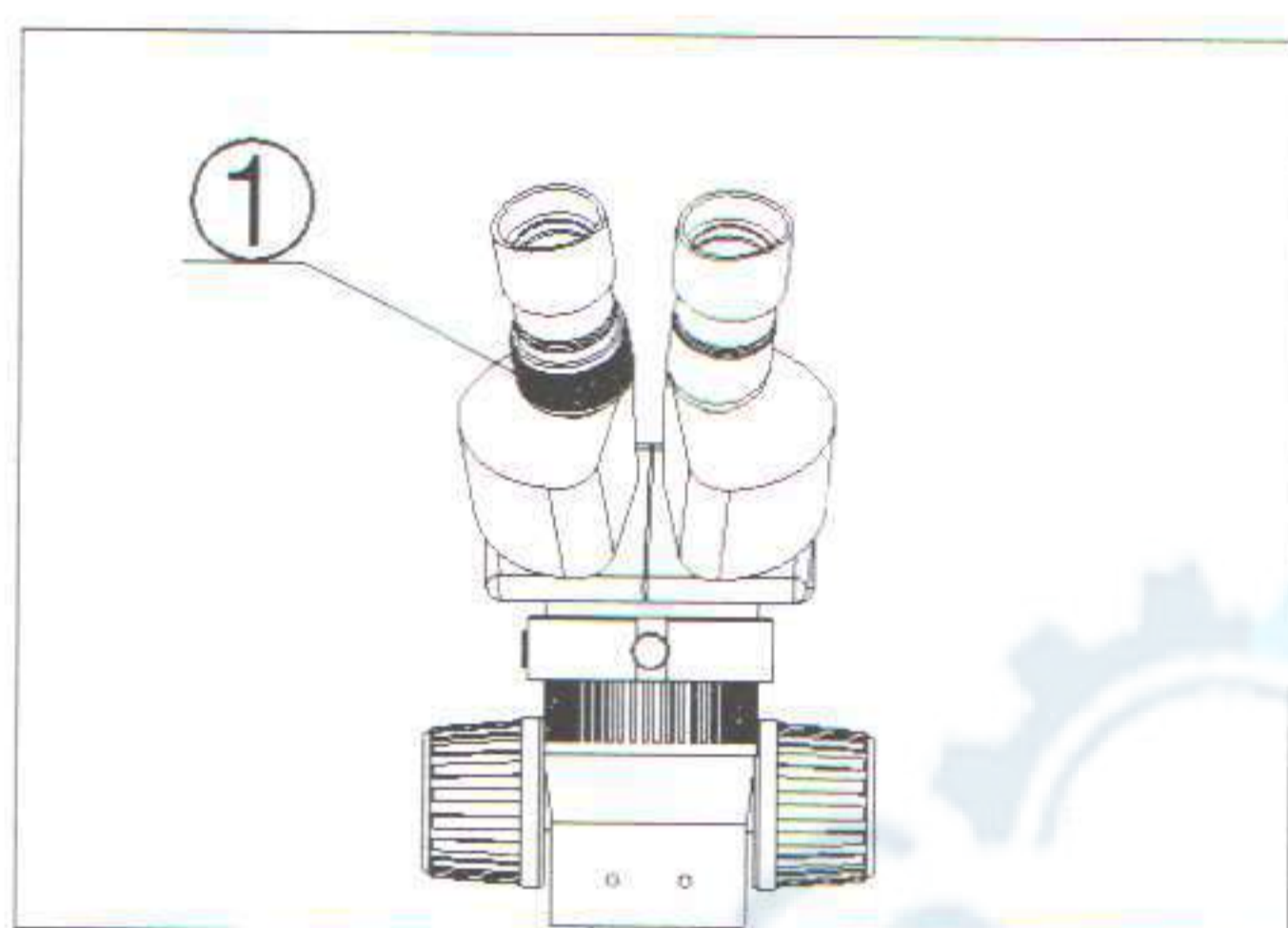


Fig. 3

- 1) Set the specimen in the center of stage plate. If necessary, clamp the slide with the clips.
- 2) Turn on the light.

4-4 Adjust diopter and focus

- 1) Turn the focusing knob and observe the specimen through the right eyepiece till the image of the specimen is clear.
- 2) Observe the specimen through the left eyepiece and adjust the diopter adjustment ring ① till the image is clear. (Fig. 3)

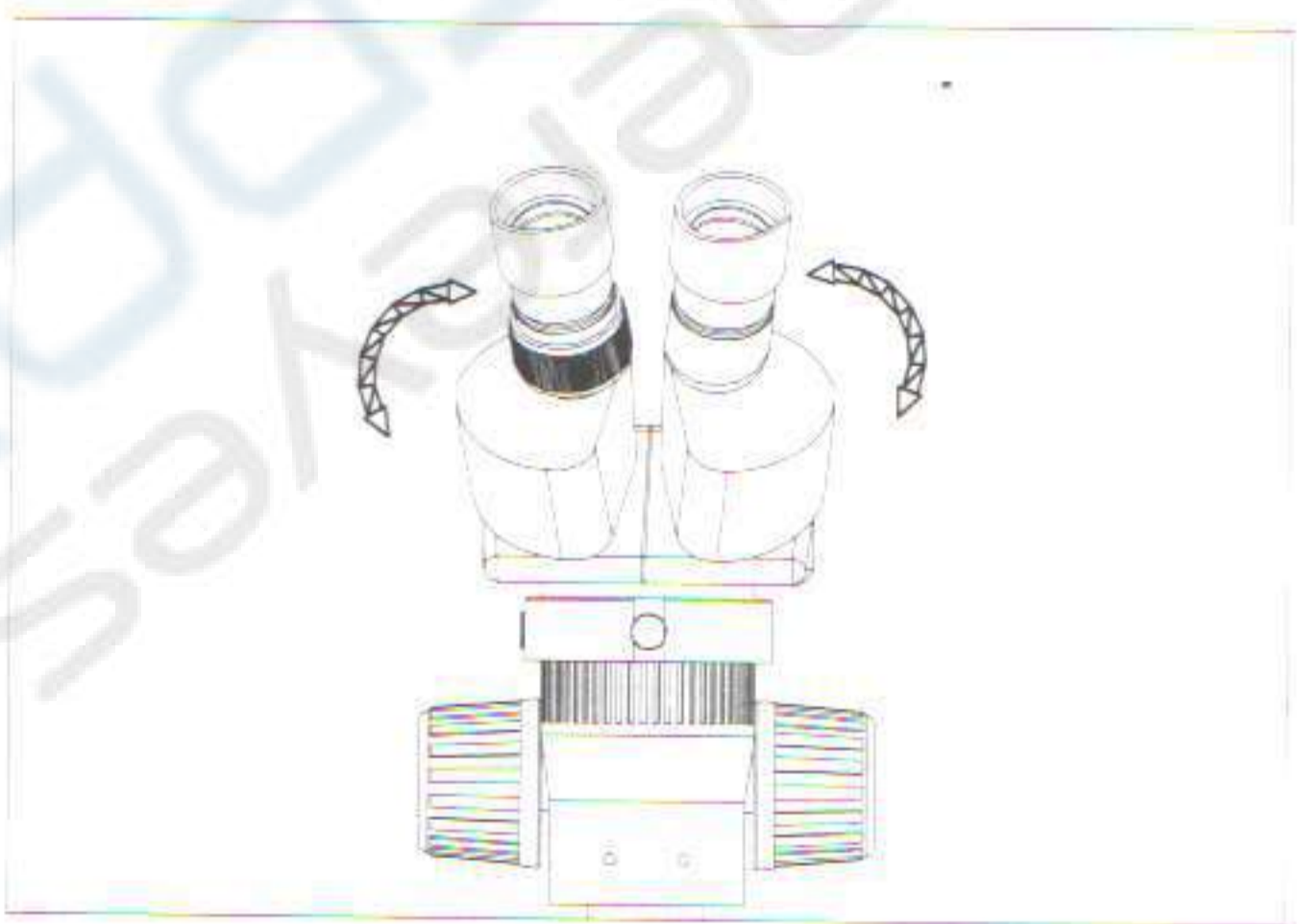


Fig. 4

4-5 Adjust the interpupillary distance

- Adjust the prism housing along the direction of arrow of the Fig. 4 till the observation is comfortable.

4-6 Use eyepiece shields

- 1) For user who does not wear glasses, hold the diopter-adjusting ring to prevent them from rotating and turn the eyepiece till the eyepiece shield fit the observer well.
- 2) For user who wears glasses, take the eyepiece shields off before observation.

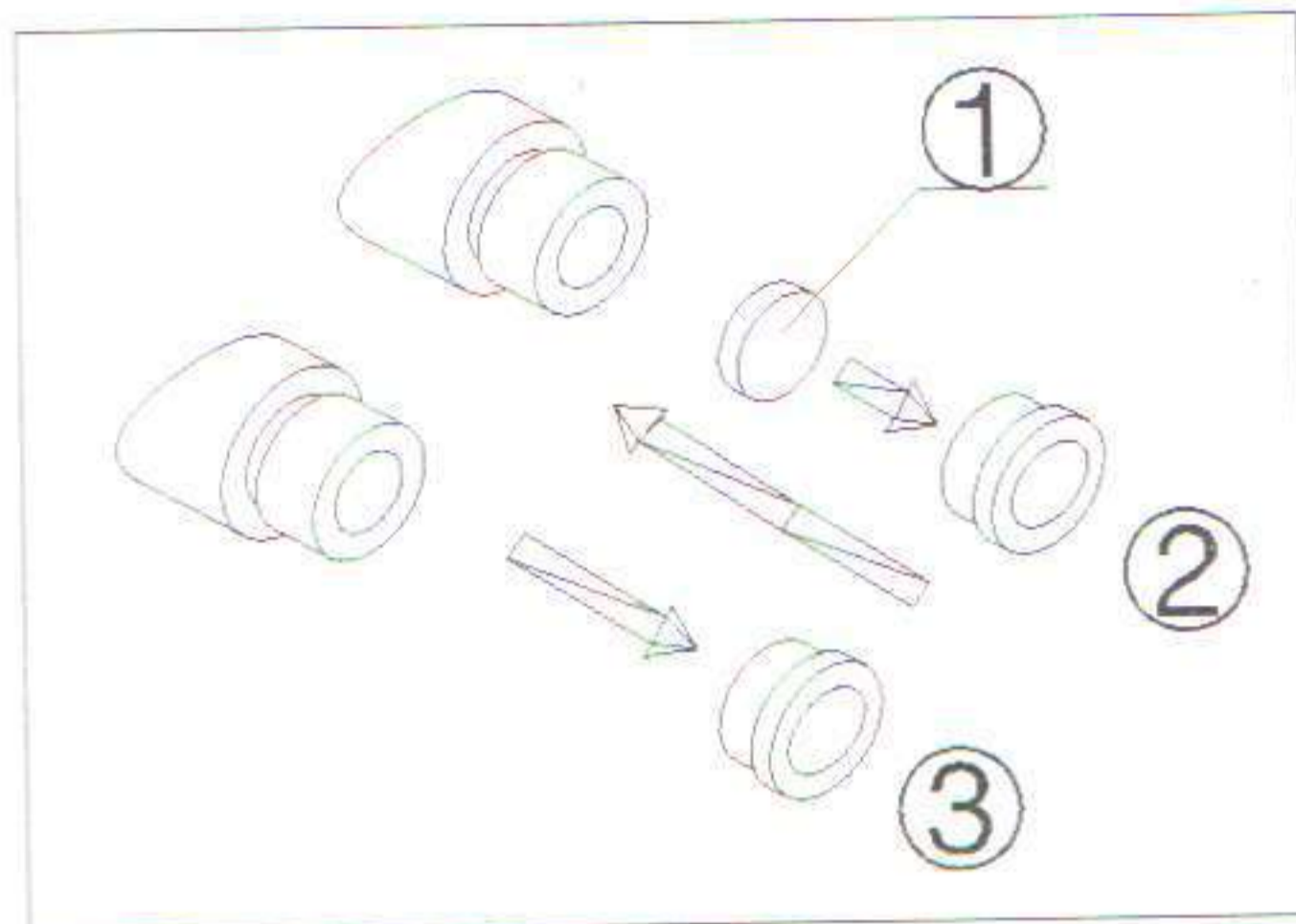


Fig. 5

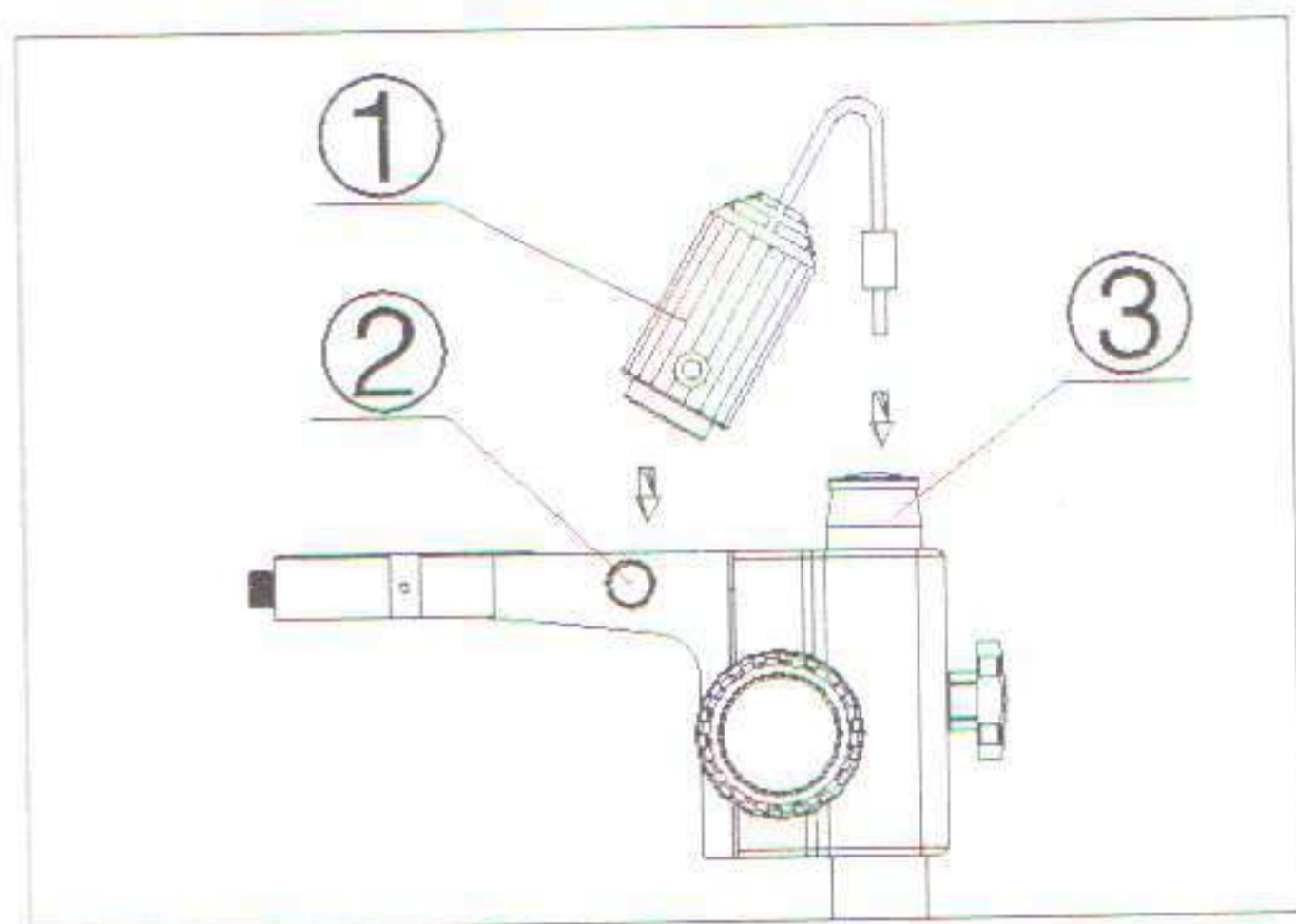


Fig. 6

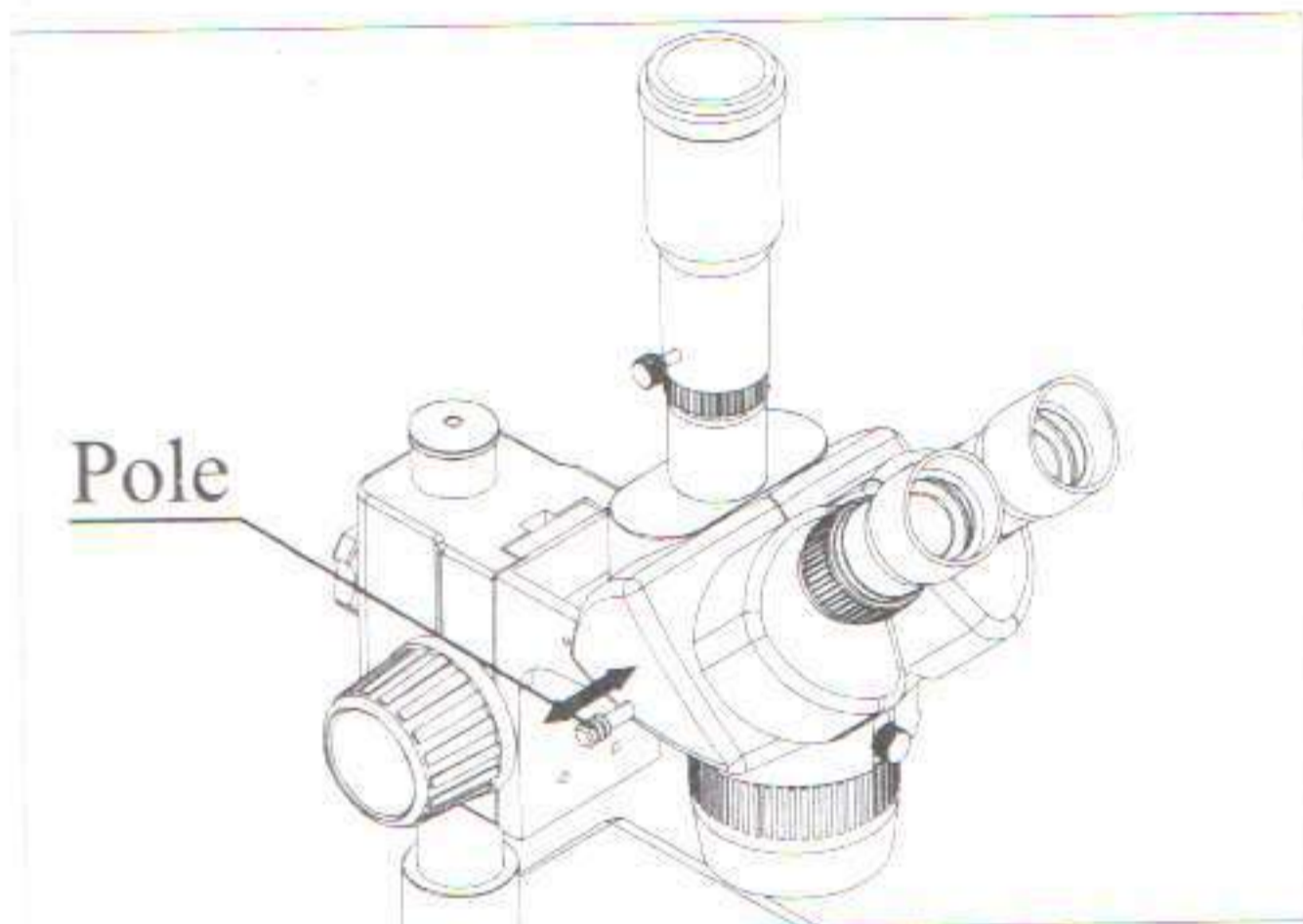


Fig. 7

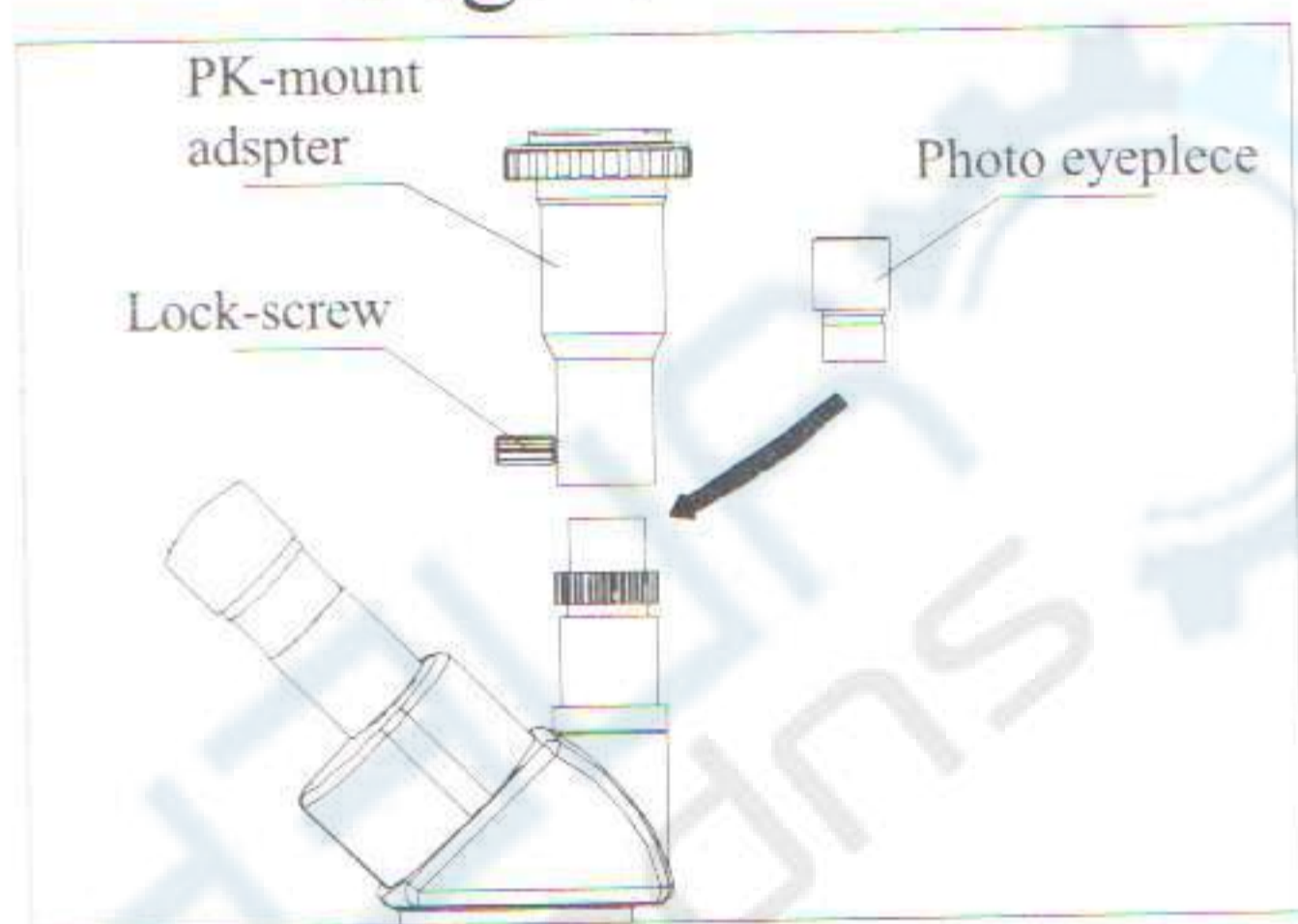


Fig. 8

4-7 Mount and Remove the Optional Eyepiece Micrometer

- 1) Turn and remove the mounting ring (2) from the eyepiece. (Fig. 5)
- 2) Clean the eyepiece micrometer (1) and mount it to the mounting ring with the inscription side downward.
- 3) Gently twist the mounting ring with the eyepiece micrometer into the eyepiece till tightening (2) securely.
- 4) To remove the eyepiece micrometer, take down the mounting ring by twisting and take out of the micrometer, and wrap it in clean soft paper for storage.

4-8 Install the illumination device

- 1) Insert the illumination device (1) in the bracket with the protrudent side toward the lock-screw (2) and tighten the lock-screw. (Fig. 6)
- 2) Put the plug into the socket of the pillar stand (3).

4-9 Choose the optical system

- 1) You can alternate the binocular observation and video capture by pushing or pulling "the pole". You can attain binocular observation by pushing "the pole" inside, or attain video capture by pulling it outside. (Fig. 7)

4-10 Mount the photo eyepiece and the PK-mount adapter

- 1) Put the photo eyepiece into the eyepiece socket of the tri-ocular.
- 2) Connect the PK-mount adapter with the photo eyepiece, and then tighten the lock-screw. (Fig. 8)

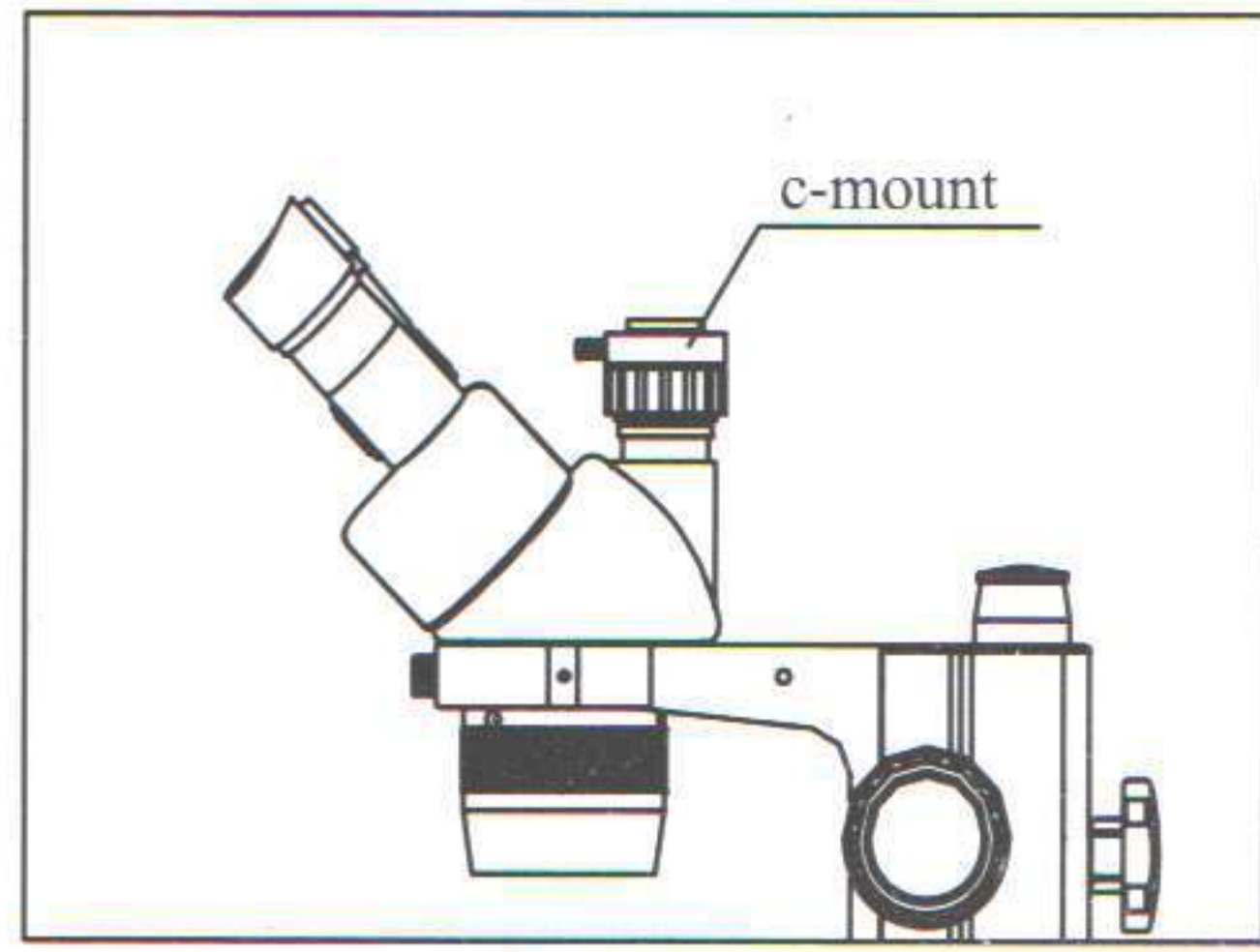


Fig. 9

4-11 Adjust the CTV

1) Adjust the CTV to a suitable position by rotating C-mount.
 Note: The range of the adjustment : 1~2mm in general. (Fig.9)

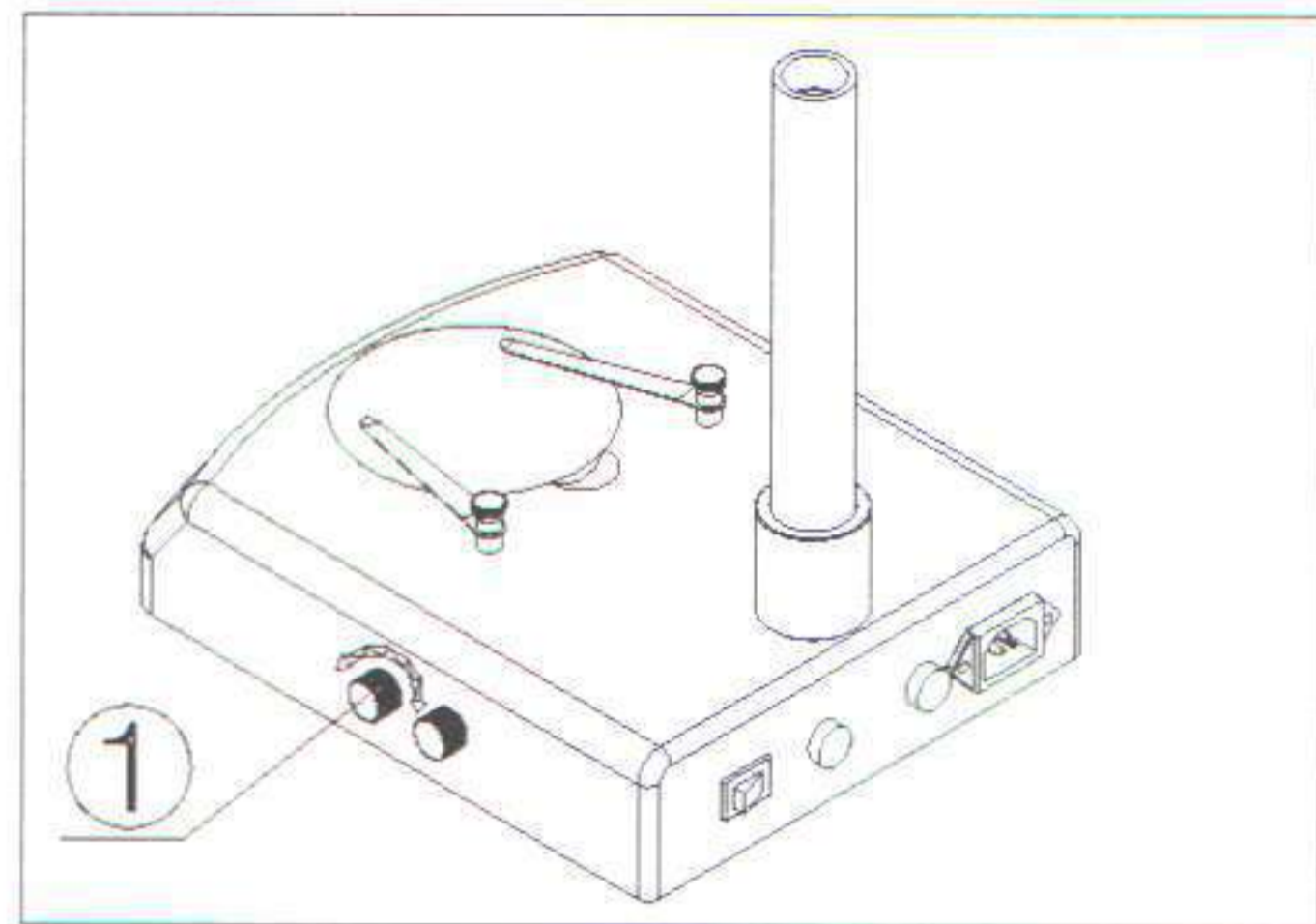


Fig. 10

4-12 Adjust the brightness of the bottom light

1) Turn the adjustable light knob ① according to the sign marked on the base, along the clockwise the brightness will be added, otherwise it will be weakened. (Fig.10)

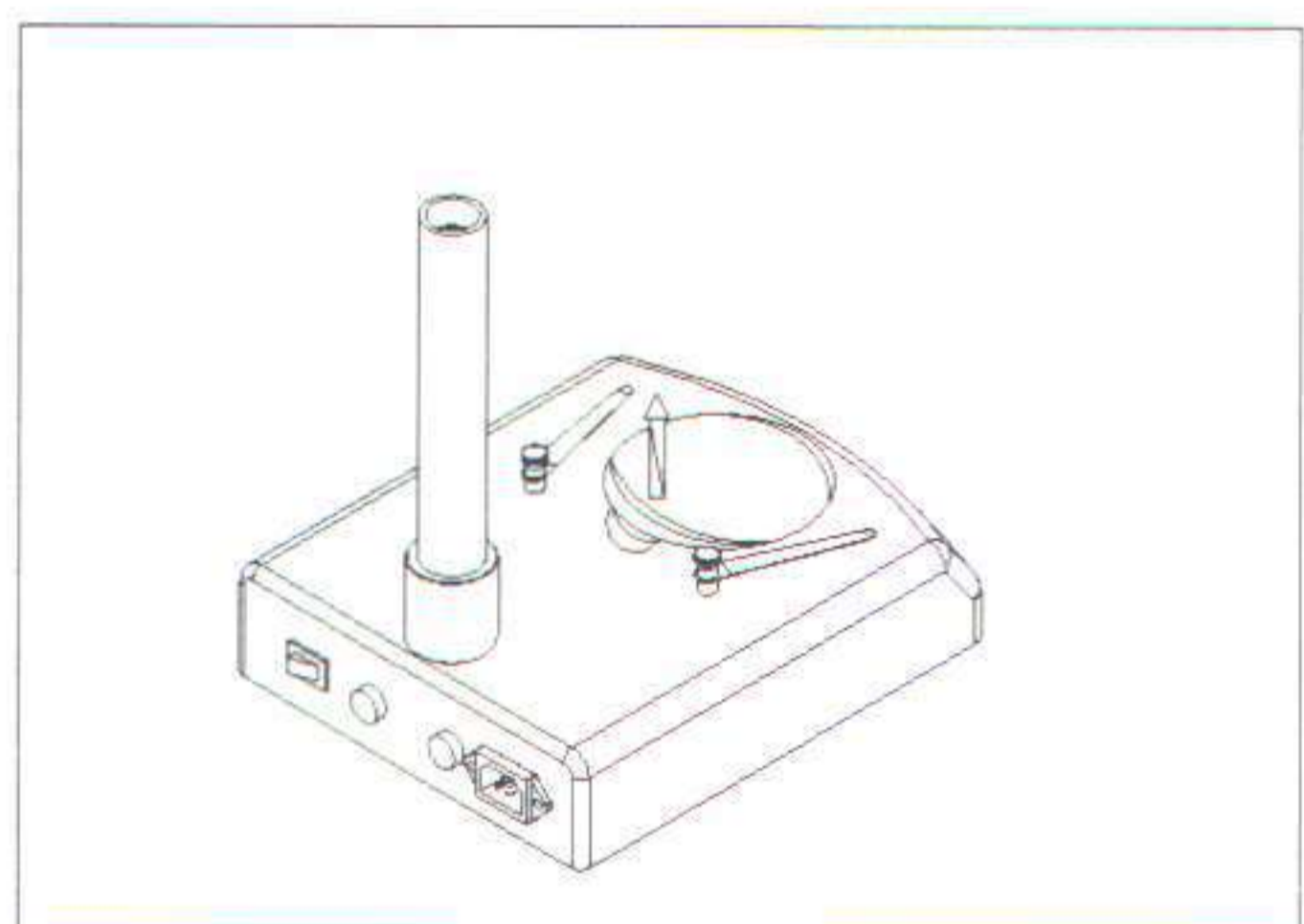


Fig. 11

4-13 Replace the lamps

- 1) Press the stage on the sunken place then the other side will be lifted. (Fig.11)
- 2) Take the lamp out of the jack.
- 3) Put a new lamp into the jack thoroughly.
- 4) Recover the stage plate. (Fig.12)

Note: ① Before replacing the lamps, turn off the power first.
 ② Avoid violence while the lamp is plugged into the jack.

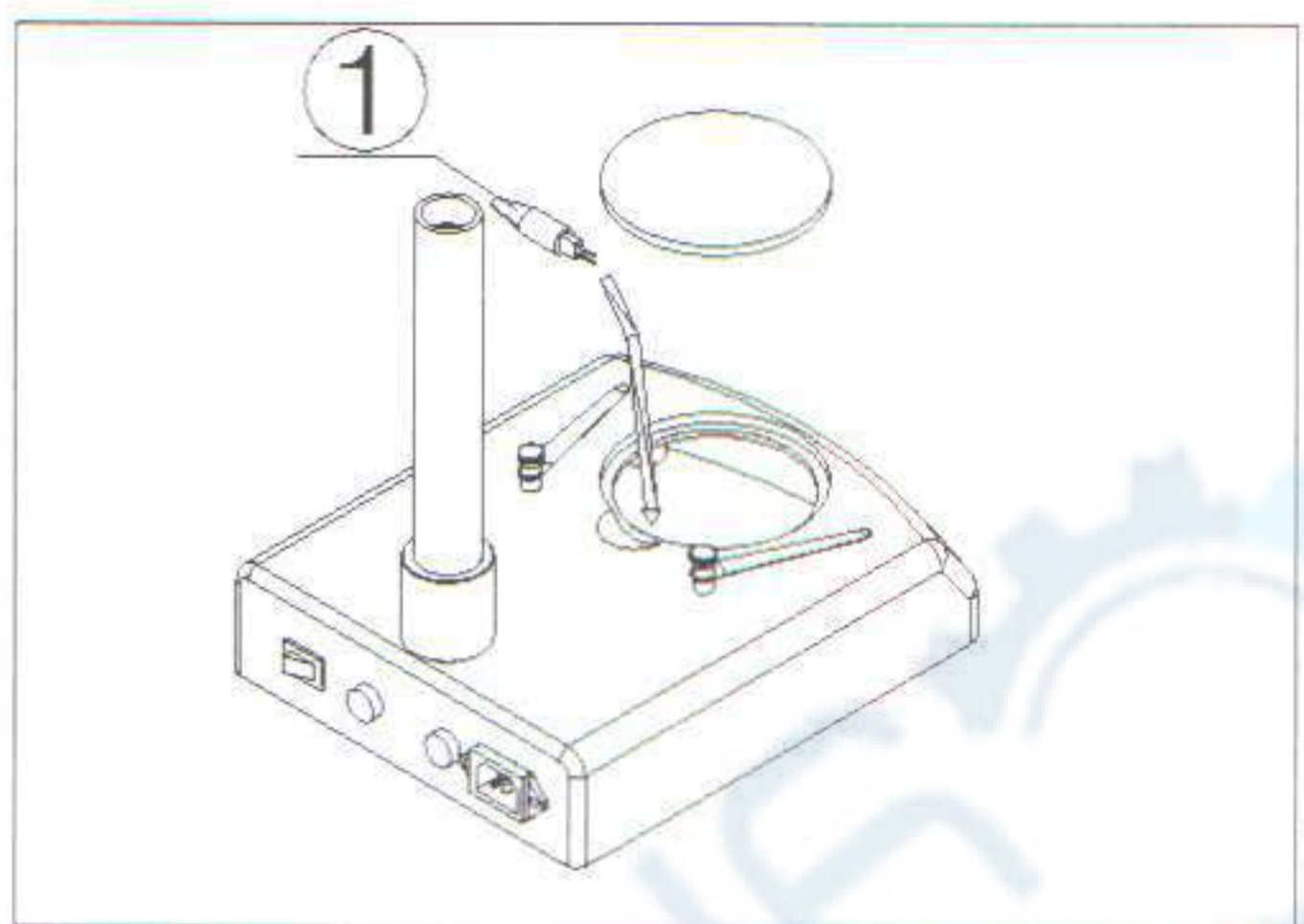


Fig. 12

4-14 Replace the fuse

- 1) Screw the fuse tube out with a screwdriver and pull the fuse out of the tube ①.
- 2) Remove the fuse and mount it in an adverse way. (Fig. 13)

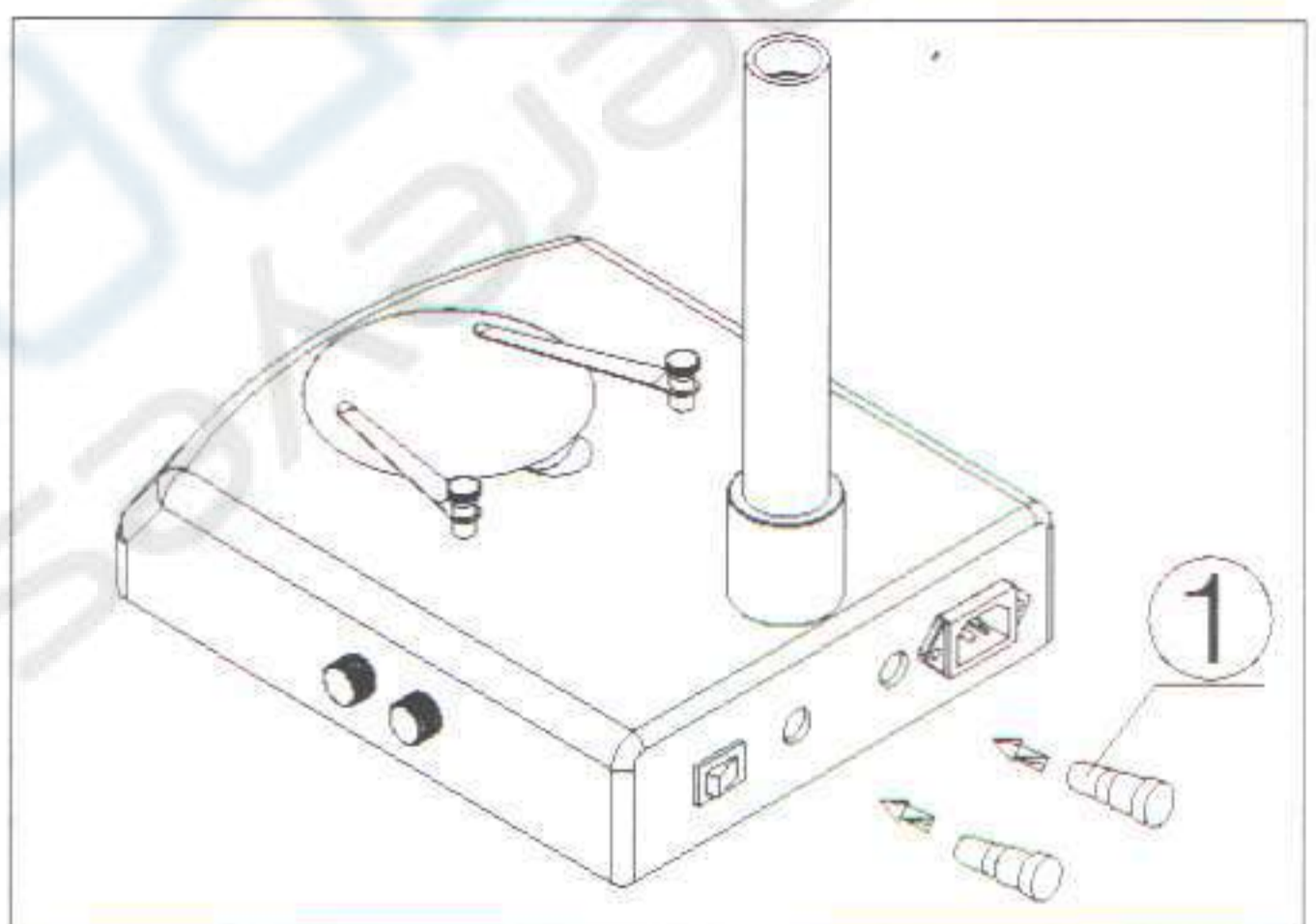


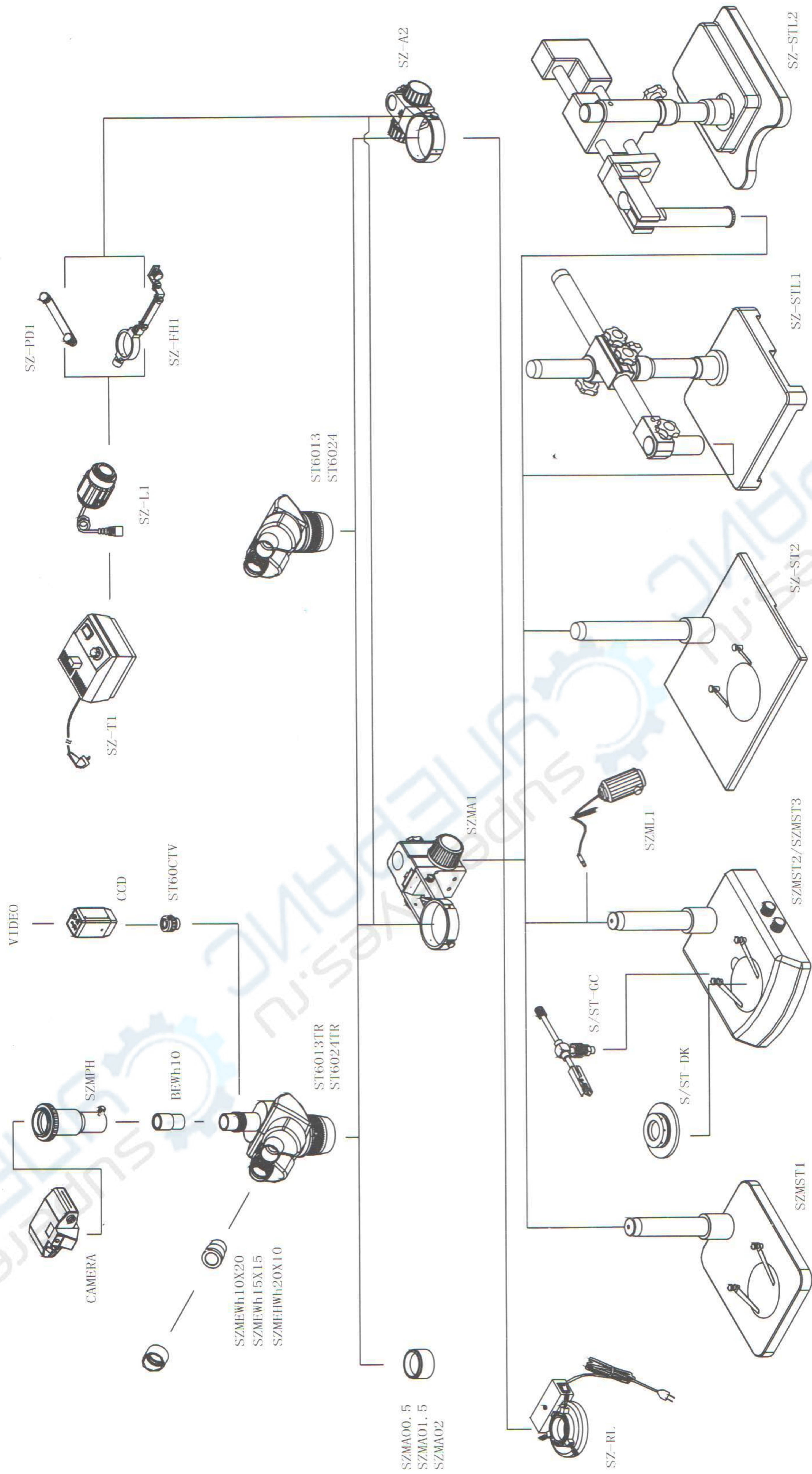
Fig. 13

5 Configuration chart

5-1 ST60 Series Configuration

Configuration		Model					
Parts	Specification	ST60 24B1	ST60 12B2	ST60 12B3	ST60 12T1	ST60 12T2	ST60 12T3
Eyepieces	SZMEWh10*20	O	O	O	O	O	O
	SZMEWh15*15						
	SZMEWh20*10						
Objectives	1X/100mm						
	2X/100mm	O		O	O	O	O
	3X/100mm		O				
	4X/100mm	O	O	O	O	O	O
Binocular	ST6024	O	O	O			
Tri-ocular	ST6024TR				O	O	O
Big conversion lens	SZMAO0.5/165mm						
	SZMAO1.5/45mm						
	SZMAO2/30mm						
Focusing arm	SZMA1	O	O	O	O	O	O
Stand	SZMST1	O			O		
	SZMST2		O			O	
	SZMST3			O			O
	SZSTL1						
	SZSTL2						
Transformer	SZT1						
Epi- illuminator	SZML1		O	O		O	O
Hold for illuminator	SZFH1						
	SZPD1						
Photo device	SZMPH						
TV adapter	ST60CTV						
Gem clamp	S/ST-GC						
Dark field condenser	ST-30-2L-HJ-01	O					
Ring fluorescence Light	SZRL	O			O		
Box	Inside foam	O	O	O	O	O	O
	Outside carton						

Note: The items marked "O" included and others for option.



ST60 series configuration

6 Technical parameter

6-1 ST60 series optical parameter

Objective Magnification	Working Distance(m)	Eyepiece		Eyepieces (option)			
		SZMEWh10X20		SZMEWh15X15		SZMEWh20X10	
		Mag.	Objective field	Mag.	Objective field	Mag.	Objective field
1X	100	10X	20	15X	15	20X	11
2X		20X	10	30X	7.5	40X	5
3X		30X	6.7	45X	5	60X	3.3
4X		40X	5	60X	3.75	80X	2.5

6-2 Auxiliary objective for ST60 series

Auxiliary objectives	Magnification	Working distance (mm)
SZMAO0.5	0.5X	165
SZMAO1.5	1.5X	45
SZMAO2	2X	30

- ★ Working distance is fixed regardless of the magnification factor.
- ★ Total mag.=Objective mag. X Eyepiece mag. X Auxiliary mag.

Diameter of field of view (mm) = Objective mag. X Auxiliary objective mag.

- ★ TV adaptor mag.=Objective mag.(X Auxiliary objective mag.)X Photo eyepiece mag.

6-3 The base electrical specification of ST60 series

Model		SZMST1	SZMST2	SZMST3
Parts				
Power supply		No	220V-50Hz 110V-50/60Hz	220V-50Hz 110V-50/60Hz
Transformer		No	Input:220/110VAC Output:12VDC/45W	Input:220/110VAC Output:12VDC/45W
Illuminate	Top light	No	12V/15W halogen lamp	12V/15W halogen lamp
	Bottom light		12V/15W halogen lamp	220V/110V、 7W fluorescence lamp

Parts		Model	ST6013/ST60TR13	ST6024/ST6024TR
			Objective magnification	1X, 3X
Head	Working distance	100mm		
	Observation angle	45°		
	Interpupillary distance adjustment	Linkage between left and right eyepiece tube Range of single adjustment:54-75mm		
	Diopier adjustment	Range of single adjustment : $\pm 5D$		
	Mount with auxiliary objectives	Screw hole : M48*0.75		
	Objective	Field of view	$\phi 20\text{mm}$	
Main body	Mount the head	Mount the head in the bracket hole whose diameter is $\phi 76\text{mm}$		
	Focusing device	The degree of tightness is adjustable by rotating the focusing knob. Range of single adjustable :49 mm		
	Glass stage	Diameter : $\phi 95\text{mm}$		
	Clips	Put it on the base from top		

7 Trouble shooting

The performance of the microscope can't be made fully because of unfamiliar using. This table will give some advices.

Trouble	Cause	Remedy
1.Double images	Interpillary distance is not correct	Readjust it
	Diopter djustment is not correct	Readjust it
	Magnification of each eyepiece is not the same size	Mount the same size eyepiece
2.Dirt appears in the field of view	Dirt on the specimen	Clean the specimen
	Dirt on the surface of eyepiece	Clean the surface
3.Image is not clear	Dirt on the surface of the objective	Clean the objectives
4.Image is not clear while the focus changing	Diopter adjustment is not correct	Readjust the diopter
	Focus is not correct	Readjust the focus
5.The focusing knob is not smooth	The focusing knob is too tight	Loosen it to a suitable position
6.The image is obscure because of the head slipping down by itself during observation	The focusing knob is too loose	Tighten it to a suitable position
7.Incision image appears in the field of view or of the video view	The pole is not in correct position	Pull or push it to the correct position
8.The image on the monitor is not clear when the focusing knob is turned	The focus of video is not correct	Readjust the focus of video to a correct position
9.Eyes fell tired easily	Diopter adjustment is not correct	Adjust the diopter
	Brightness of light is not correct	Adjust the brightness
10.Bulb does not work when the switch is on	No power in	Check the connection with the power supply
	The bulb was not insert correct	Insert it correctly
	Bulb is wrong	Replace with a new one
11.Bulb is burned out suddenly	Use the wrong bulb	Replace with a correct one
	The voltage is too high	Control the voltage Eg :use voltage regulator
12.Brightness is not enough	Use the wrong bulb	Replace with a correct one
	The voltage is too low	Increase the input voltage
13.The bulb flickers or the brightness is unstable	The bulb will burn out soon	Replace with a new one
	The bulb was not inserted correctly	Insert it correctly