

INCOMING INSPECTION INDEX

Part number: 60H00738-00M

VER : 1

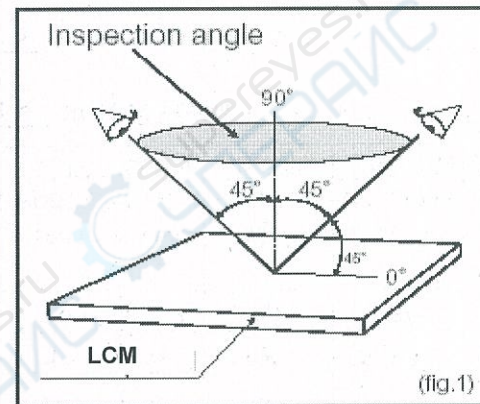
Description: OLED Module, 1.5in, RITDISPLAY, 128RGB*128, Solomon, RGC15128128WR001, STN.43.7*33.8*1.41mm

PROJECT: LITE LEVEL : II

Printed by: [Redacted] System

NO	INSPECTION ITEM	METHOD	JUDGE LEVEL	MA	MI
1	COSMETIC (外觀) (如樣品及圖面規格)	VISUAL(目視)	不可發生以下現象: 刮傷, 外來異物(點, 線), 凹凸點, 氣泡, 牛頓環, 黑影.....等外觀問題, 規格如附件 Pin 下陷 (不影響 function) Gap (Frame 未變形, 不影響組裝) FPC 偏移, T/P 偏移, 變形, 破損..... (導致影響組裝或無法使用) Barcode 無法刷 缺件/錯件, 版本錯誤	<input type="checkbox"/>	<input type="checkbox"/>
2	DIMENSION (尺寸) (需作 CP/CPK 量測)	CALIPER 分厘卡	A : 33.8 ±0.2 mm (Width) B : 36.5±0.2 mm (Length) C : 1.41 ±0.1 mm (Thickness) D : 8.4±0.3 mm (FPC position) E : 18.9 ±0.3 mm (FPC length)	<input type="checkbox"/>	<input type="checkbox"/>
3	Function check	JIG	Refer to Inspection checklist	<input type="checkbox"/>	<input type="checkbox"/>

Drawing :



Remark : 外觀檢驗及判定以 Touch window 正面來做最終判定, 需符合 cosmetic spec .(如附件定義之規範)

LITE
RITDisplay
TW/ China
60H00738-00P / 1Z4

HISTORY RECORD :

2012.07.27 1st release
2012.09.6 modify chipping spec

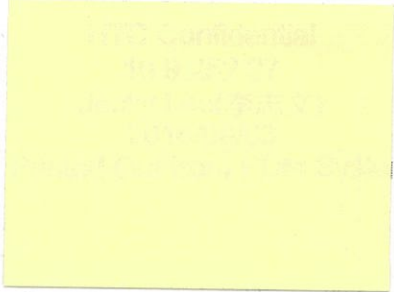
REMARKS :

AVL :

交貨商: RITDisplay
製造商: RITDisplay
製造商料號: RGS15128128WR000
製造商品名: TFT-LCD

Defect mode		Inspection Tool	Inspection Env.	IQC Frequency	LCD / TW (貼合前) Criteria	MA	MI
Cosmetic (外觀)	刮傷 (scratch)	100% 目視檢	700~1300 lux (一般環境)	ANSI/ASQ Z1.4	100%		○
	外來異物 (黑白點,毛屑)						○
	凹凸點 (dent)						○
	氣泡 (bubble)						○
	Bar code label 貼附位置 - (不影響 function)						○
	FPC 刮刺傷 (FPC scratch) - (不影響 function)						○
	connector pin下陷 - (影響功能使用)						
	FPC golden finger dirty - (影響功能使用)						○
	鐵殼變形 (Metal deform) - (影響組裝或無法使						○
	FPC 破損 (FPC broken) - (影響組裝或無法使						○
	FPC 偏移 (FPC shift) - (影響組裝或無法使用)						○
	LCD / Touch Panel 破裂 (Broken) - (影響組裝或無法使用)						○
	缺件/錯件, 版本錯誤 (LCD version wrong)	○					
Bar code label P/N check	100% 目視檢					○	
Dimension (尺寸)	LCD Length	游標卡尺量測	N/A	3pcs/lot	N/A	By spec	○
	LCD Width	游標卡尺量測					○
	LCD Thickness	分厘卡					○
							○
Function (功能)	短路或斷路	Chessboard pattern	300~500 lux	ANSI/ASQ Z1.4	100%	Not allowed	○
	亮點	Full black screen					○
	暗點與斷線	Full white screen					○
	測試gray 與embedded RAM	gray screen					○

LCD Generic Cosmetic Inspection Criteria (Parts)



Condition	Inspection Criteria	Version 01
Ambient illumination	Appearance : 1000 ~ 1300 Lux . Function : 300 ~ 500 Lux	
Light source	Fluorescent lamp (普通日光燈管光源下)	
Viewing distance	30 cm +/- 5cm	
Viewing Angle	The surface of the panel and the eyes of the inspector shall be 90 degree +/- 45 degree .	
Check pattern	follow HTC IQC check pattern	

IQC	Inspection condition	
IQC Sampling table	ANSI/ASQ Z1.4	
IQC Inspection level	Level II	
Major defect	AQL 0.4 (For all LCD function)	
Minor defect	AQL 0.65 (For all Cosmetic)	

Defect item	LCD Criteria		Remark	
	Inspection Criteria	n (quantity)		
Black / White Spots (黑白點) Function (distance 10mm over)	0.1mm<Φ≤0.2mm	N≤2	(目視 / 點規)	
	0.2mm<Φ≤0.3mm	N≤1		
	0.3mm<Φ	N≤0		
Upper- Pol Scratch (刮傷) cosmetic (distance 10mm over)	0.02mm<W≤0.03mm, L≤2mm	N≤3		
	0.03mm<W≤0.05mm, L≤2mm	N≤2		
	0.05mm < W	N≤0		
Linear / Foreign/ Fiber (毛屑) (forrein material & scratch under Pol , CF/TFT surface, BL) Function (distance 10mm over)	0.02mm<W≤0.03mm, L≤2mm	N≤2	(目視 / 點規)	
	0.03mm<W≤0.05mm, L≤2mm	N≤1		
	0.05mm≤W	N≤0		
Upper Pol Dent / Bubble (凹凸點 / 氣泡) cosmetic (distance 10mm over)	0.1mm<Φ≤0.2mm	N≤3	(目視 / 點規)	
	0.2mm<Φ≤0.3mm	N≤2		
	0.3mm<Φ≤0.4mm	N≤1		
	0.4mm<Φ	N≤0		
Dot Pixel defect (QVGA)	bright dot=0, dark dot≤2, 2 adjacent dot=0, total ≤2 (distance 10mm over) Limit sample pattern : Gamma 2.2 (R,G,B) = (0,64,0) : Total : 256 level Criteria more serious than limit sample pattern : N=0 more light than limit sample pattern : N≤3 (distance 10mm over) PS: Including Particle, Electric Bright Dot and CF scratch under R/G/B/Black patterns.			
Other defects (including of Mura)	Not acceptable or limit sample			
Glass chipping spec	Glass chip	1<X<1.5 0.5<Y<0.8 Z≤T	N≤3 (distance 5mm over)	(1) Chip on corner (2) Chip on edge
		1.5≤X 0.8≤Y	N≤0	
PS : Total Accepted defect number n ≤ 4				