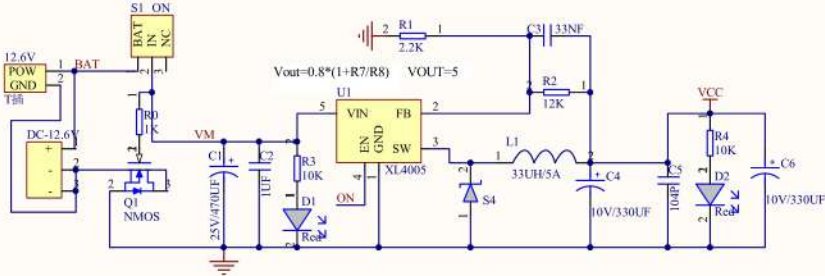
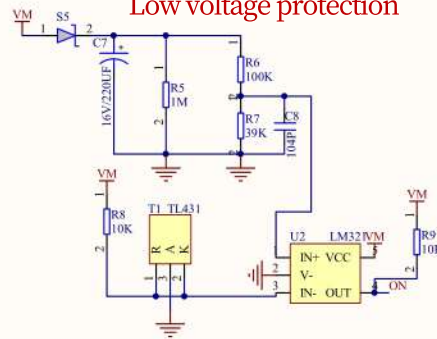


# BST-AI V2.3

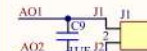
Power supply



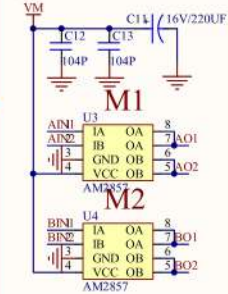
Low voltage protection



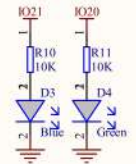
Left motor interface



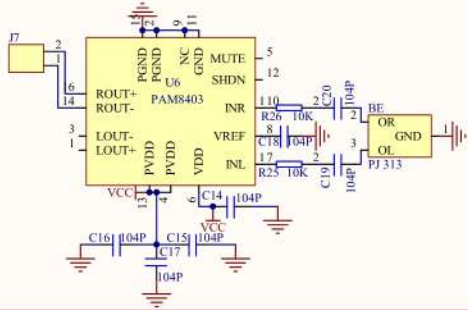
Motor drive chip



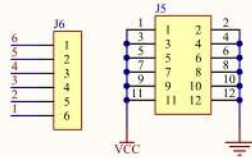
Raspberry pi interface indicator



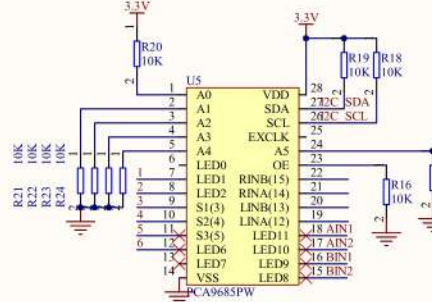
Power Amplifier



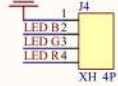
Servo interface



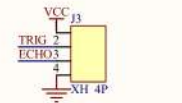
Servo control



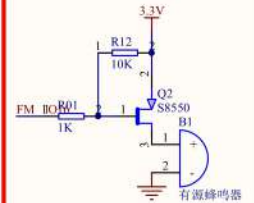
High-brightness light module interface



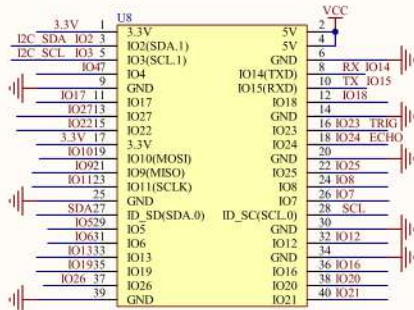
Ultrasonic module interface



Buzzer



Raspberry Pi interface



Raspberry Pi interface

