



DMT80480T050_06WN/WTR

5.0 Inches, 800xRGBx480, 65K Colors, DGUS LCM (DGUS II)



Record of Revision

Revise Date	Content
2018-03-29	First Edition

● Display

Item	Parameter	Description
Color	65K (65536) colors	16 bit color 5R6G5B
Active Area (A.A.)	108.0mm (W) ×64.8mm (H)	800*480
Resolution	800*480	Support 0°/90°/180°/270° rotated display
Backlight	LED	≥ 30000H (Working continuously with the highest luminance, halving life)
Brightness	300 nit	100 levels adjustment

● Voltage & Current

Item	Conditions	Min	Typ	Max	Unit
Power Voltage	-	5.0	12.0	36.0	V
Operation Current	VCC = +12V, Backlight on	-	150	-	mA
	VCC = +12V, Backlight off	-	70	-	mA

Recommended power supply: 12V 1A DC

● Reliability Test

Item	Conditions	Min	Typ	Max	Unit
Working Temperature	60%RH at 12V voltage	-30	25	70	°C
Storage Temperature	-	-30	25	85	°C
Working Humidity	25°C	10%	60%	90%	RH
Protective Paint	-	-	YES	-	-
Aging Test	-	-	72	-	H

● Interface

Item	Conditions	Min	Typ	Max	Unit
Baudrate	User Set	7841	115200	7833600	bps
Output Voltage (TXD, BUSY)	Output 1, Iout = 8mA	3.94	3.3	-	V
	Output 0, Iout = -8mA	-	0	0.3	V
Input Voltage (RXD)	Input 1, Iin=1mA	2.4	3.3	5.0	V
	Input 0, Iin=-1mA	0	-	0.5	V
Interface	Mode is determined by Jumper:ON=8N1,3.3V TTL/COMS*2;OFF=8N1,R232*2				
Socket	8PIN_2.0 mm with lock catch				
SD Slot	YES(FAT32 Format SDHC)				
Speaker	2Pin_2.0mm				

● Memory

Item	Parameter	Min	Typ	Max	Unit
Flash	Space of Font/Audio Files	-	-	64	Mbytes
	Font and audio file share the back half (32 Mbytes) of Font Space.				
	Picture Storage	-	-	245	Pcs
RAM	Variable Storage Space	-	128	-	Kbytes
Nor FLASH	User database	-	320	-	Kbytes

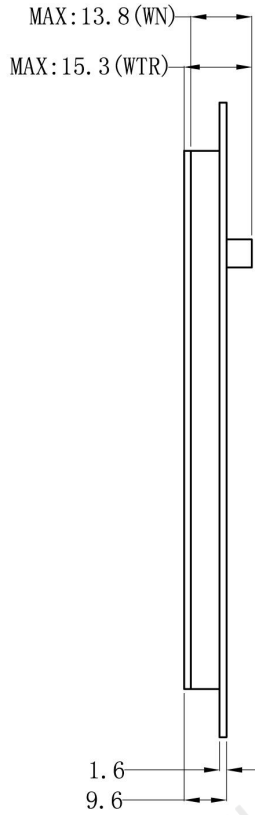
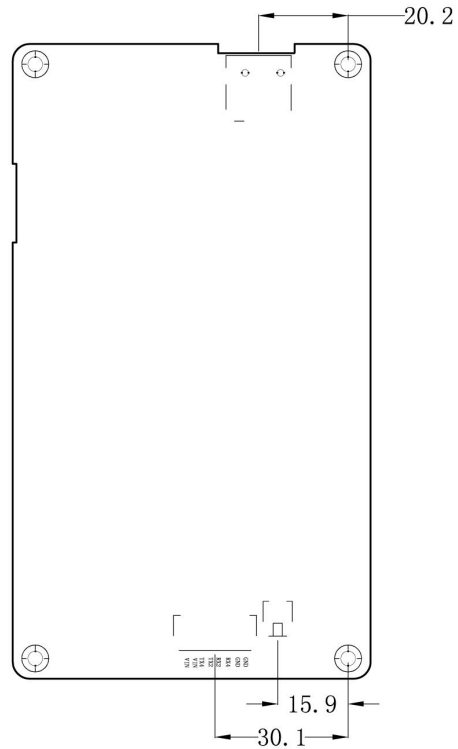
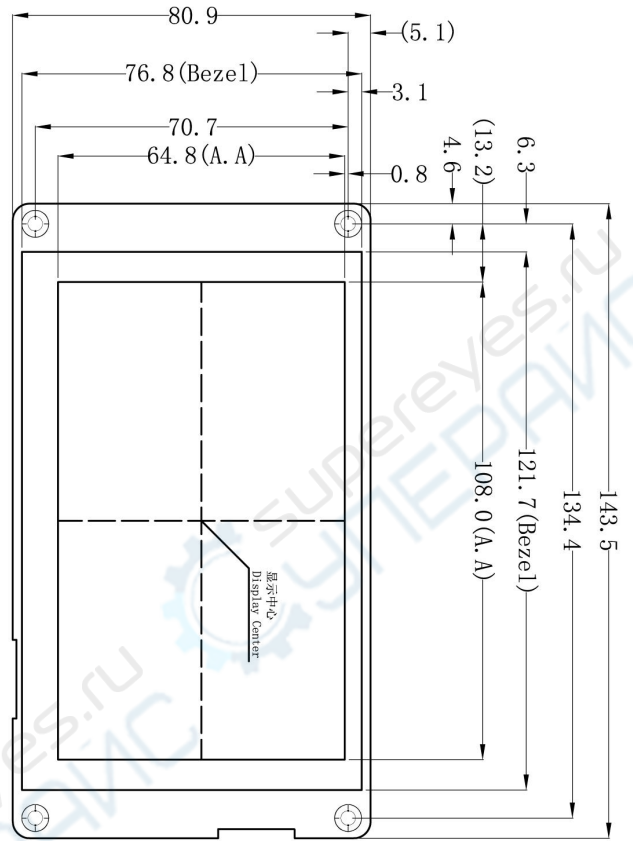
● UI & Peripheral

UI & Peripheral	
UI Version	T5UID2
Peripheral	DMT80480T050_06WN:Speaker,Built - in RTC DMT80480T050_06WTR: Resistance touchscreen, Speaker,Built - in RTC

● Packing Capacity & Dimension

Dimension				
Dimension	143.5(W)×80.9(H)×15.3(WTR)/13.8(WN)mm			
Net Weight	118g: DMT80480T050_06WN 141g:DMT80480T050_06WTR			
Packing Capacity				
Model	Size	Layer	Quantity/Layer	Quantity(Pcs)
Carton1	220mm(L)×160mm(W)×47mm(H)	1	1	1
Carton2	250mm(L)×200mm(W)×80mm(H)	2	2	4
Carton3	320mm(L)×270mm(W)×80mm(H)	2	4	8
Carton4	450mm(L)×350mm(W)×300mm(H)	-	-	-
Carton5	600mm(L)×450mm(W)×300mm(H)	2	50	100

Remark: There is no extra-notice if the product design changes that do not affect performance parameters and use



引脚名称	引脚定义	引脚类型	说明
GND	1, 2	P	公共接地/GND
RX4	3	I	迪文屏串口4输入DIN
RX2	4	I	迪文屏串口2输入DIN
TX2	5	O	迪文屏串口2输出DOUT
TX4	6	O	迪文屏串口4输出DOUT
VCC	7, 8	I	电源输入/Power Input

信号	图号	图纸	图纸	图纸	日期	日期	日期
	DMT80480T050_06WN/WTR	A 4	DWIN				
		比例	比例	比例			
		单位	单位	单位			

1. 尺寸定位基准为定位孔
Location hole is used as position reference.
2. 未标注公差为 $\pm 0.3\text{mm}$
Unmarked Tolerance is $\pm 0.3\text{mm}$
注: 虚线标注为有效显示区域
Active area is marked in Dash lines

北京迪文科技
Beijing DWIN Technology Co., Ltd