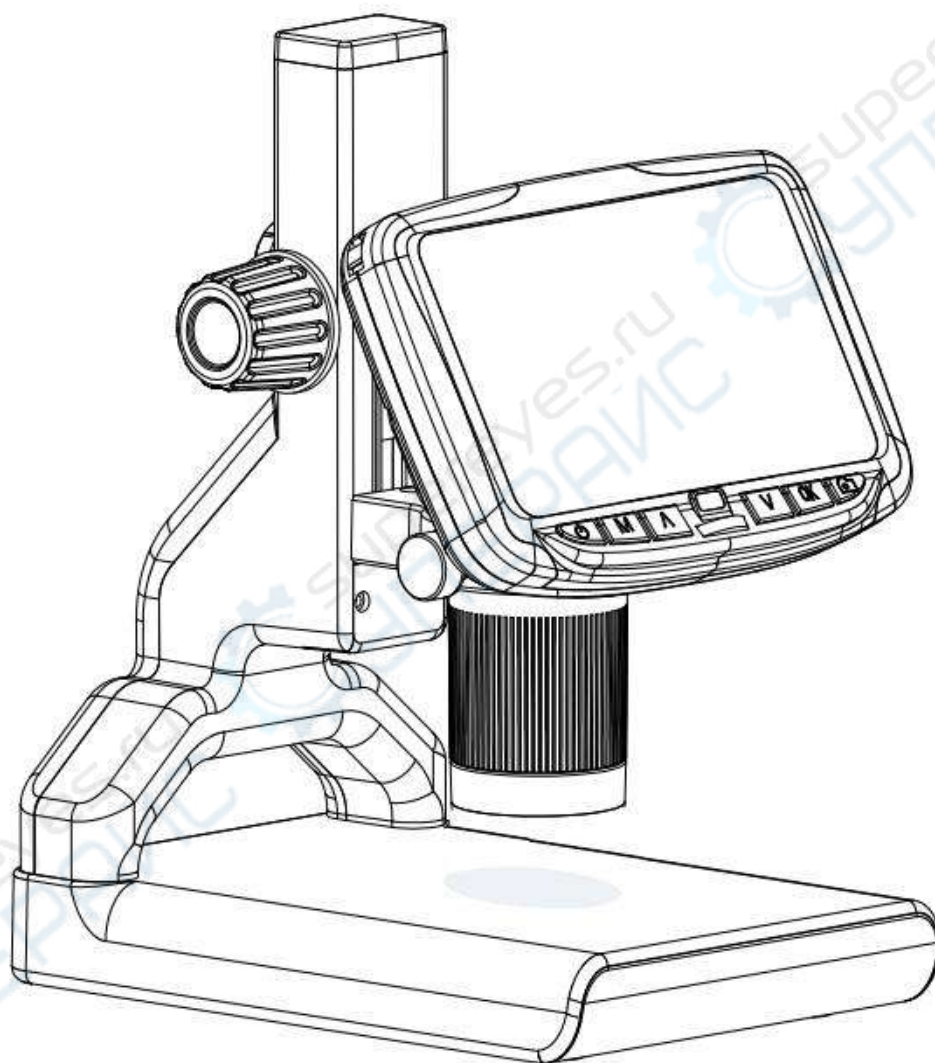


Digital Microscope AD205 Users Manual



LIST OF CONTENTS

Preface.....	2
Basic Parameters.....	2
What's in the box.....	3
Quick start.....	4
Adjusting the Magnification and Focus.....	4
Using a Micro SD Card to Save Images.....	5
Reviewing and Managing Images.....	5
Settings.....	5
Warranty Card.....	7

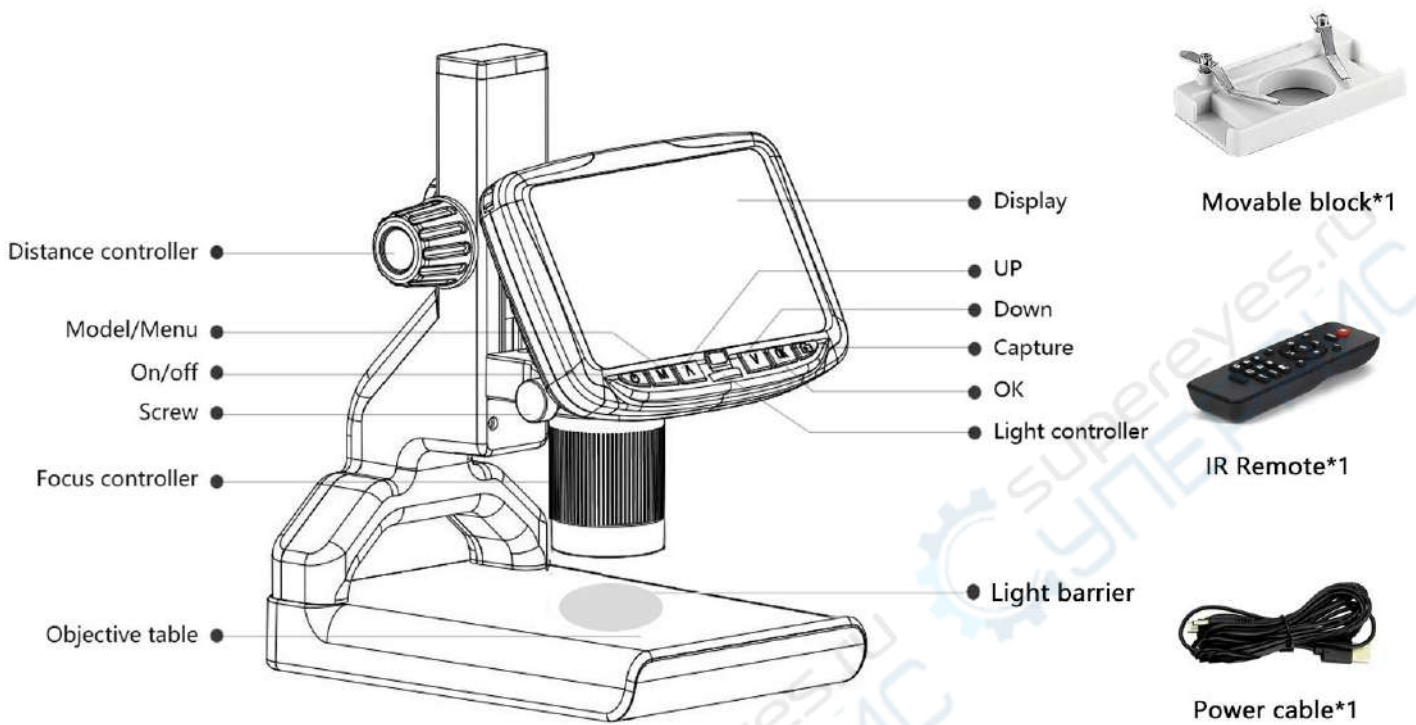
Preface

1. Please read this manual before use the microscope. If you do not follow the instructions, it's possible to cause the device damaged.
2. The assembly includes small parts, particularly the thumbscrews used to hold the main device in place. Do NOT allow unsupervised access by infants or toddlers.
3. The microscope is not intended for field use. It is not waterproof, and should not be exposed to extreme temperatures. Users can refer to the preservation management methods of general electronic equipment, such as laptops.
4. Keep the microscope in a clean and dry environment. Keep away from oil, water, gas and other materials that may cause corrosion.

Basic Parameters

Image sensor	2Mega Pixels HD Sensor
Video output	FHD1920X1080 30FPS; 1080P 1440X1080 30FPS 720P 1280X720 30FPS,
Video format	AVI
Magnification Ratio	Up to 200 times
Photo resolution	MAX 12M (12M 4032*3024)
Photo format	JPG
Focus distance	1.5CM-5CM
Frame Rate	Max 30f/s
Storage	Micro-SD card, up to 64G
PC support	No
Power source	USB 5V 1A ; Support 18650 battery (not included)
Stand size	18*12*11.5CM
Screen size	5 inch; LCD
Screen resolution	854*480
Package Included	Microscope×1 Plastic stand×1 IR remote×1 User manual ×1 Power cable×1 Movable block ×1
Packing data	1.1KG/26*22*17CM

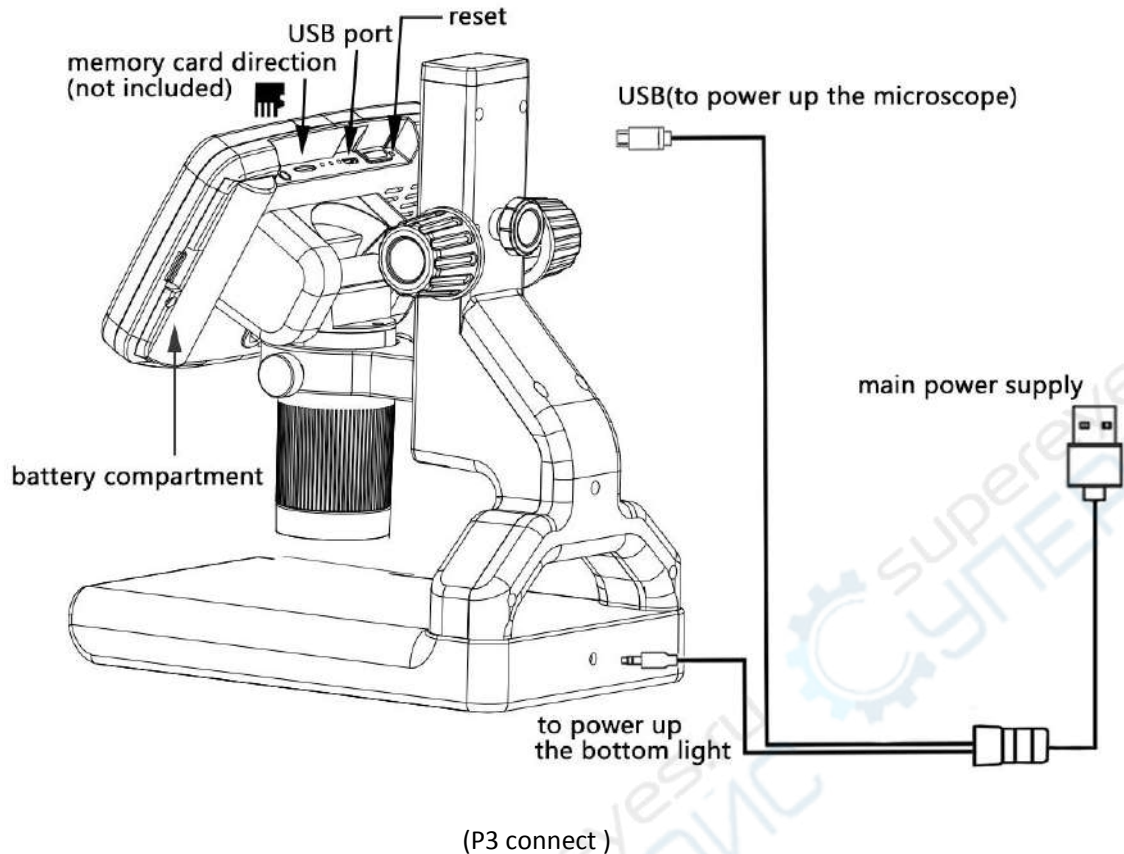
What's in the box



(P1, buttons & packing contents)



(P2, remote buttons)



Quick start


Note

1. To give you good experience, please adjust the microscope and plastic bracket before using, then remove the screen guard film on the screen.
2. If the light barrier is not over the bottom light, please adjust its position.

Connect

Firstly, connect the optical stack to the power supply via the switch cable. See the picture(P3) above. This microscope supports battery(18650), it's not included in the package, please purchase separately.

Switch on

Then press and hold the Power button (on/off ) underneath the display until the display turns on. (It may turn on automatically while connecting cables at the first time, and it's totally fine.)

*Troubleshooting

If the display freezes, locate the "reset" hole on the back of the monitor. Use a narrow object such as an unfolded paperclip to depress the button located inside. This resets all settings to their factory values and restarts the display. It does not erase saved images or video.

Adjusting the Magnification and Focus


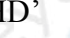
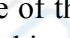
- ① Use the large knobs (Colored knob) on the bracket to raise or lower the optical stack to the desired height. The lower the height, the greater the magnification is. But be careful not to let the bottom of the stack contact the object being imaged. Turn the Focus controller to focus the image.
- ② To increase the digital magnification, press and hold the Up button ('Λ Button') until the desired

digital magnification is reached. Use the Down button(' V Button ') to decrease the digital magnification.

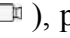
Using a Micro SD Card to Save Images

By using a Micro SD card (not provided, please purchase separately), you can save images and videos to review later or export to a computer or other device .

Insert the Micro SD card in to the TF slot on top back of the monitor. (be careful with the direction. The side which has metal exposed should face down. See the picture 6) Push it in until you hear a click. (If you don't push it in far enough, it will be ejected.)



The 'M' button (Mode button) can be used to cycle between three modes: video standby (), still image (), and review (). In video standby mode, there shows 'time' & '1080FHD' (white color font) at the top right of the display. The 'time' means how many time the rest storage of the card would allow you to record video. The '1080FHD' means the video resolution is 1080FHD in this mode.

To record videos

In the video standby(), press the OK button briefly to begin recording. The elapsed time(red color font) in the recording will appear at the top right. To stop recording, short press the OK button again. The OK button on the remote has the same function.

To Capture pictures

There are two ways to capture pictures.

1. In the recording video mode (), press the Picture Capture button(Marked with a camera) briefly to capture an image.
2. In the still image mode (), press 'OK' button to capture an image. The picture capture button and 'OK' button on the remote has the same function.

Note: You can't take pictures or videos in review mode

Reviewing and Managing Images

To review and manage images on the display, short press the 'M' button to select review mode. Use the Up and Down buttons to cycle through the pictures and videos.

To play a video, short press the OK button to start play. Press the OK button again to pause. Press 'M' button to stop playing the current video.

Hit the 'M' button again to exit review mode.

While reviewing a still image or video, the Menu button can be used to provide additional options. Press the Menu button and hold for a while till options show up.

Delete:

Delete Current: deleting just the current image/video;

Delete All: deleting all unprotected images and videos;

Protect:

Lock Current/All: provides protection for the current/all image/video from deleting accidentally, but not from Format function;

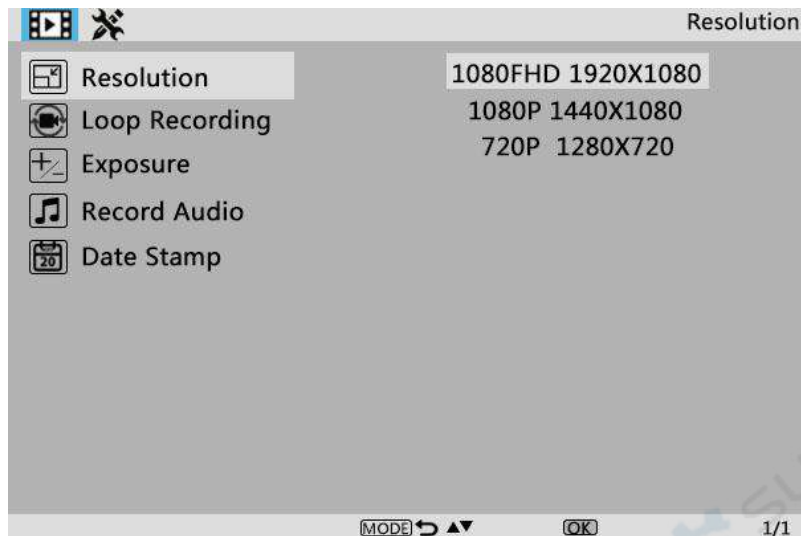
Unlock Current/All: unlock the current/all image/video.

Settings

In each mode, press the M button and hold it for a while until the Video/Still image/Review Menu shows up on the display(Or you can press MENU button on the remote). Short press M button again, get into the general Setup Menu.

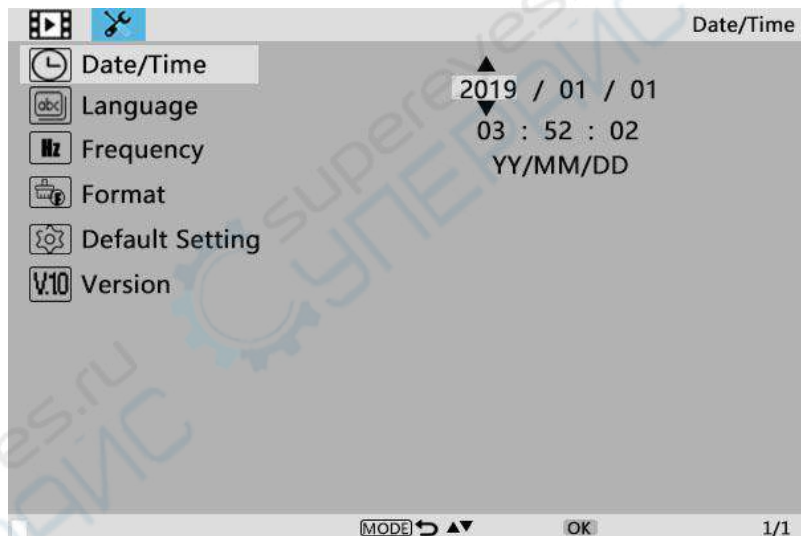
For example, if you are in Video standby mode, and you long press MENU, this is the first menu

would show, the “Video menu”:



(P4, video menu)

Then, press MENU button (or M on the monitor) again, you get into the Setup menu, like this:



(P5, setup menu)

Date/Time

Press “OK” into Date/time setting. Use “Up” and “Down” to select the correct number for year/month/day. Once you finish setting a number, press “OK” on the monitor to the next number. Or, you can use “Left” and “Right” on the remote to get to the one that you want. Press “MENU” button **on the remote** to exit date/time setting directly. If you don’t have the remote, you have to go through all over these settings one by one and then press OK again to exit.

To save settings

After you set everything right, you should turn off the device by pressing ON/OFF button **on the monitor** and hold it until the device switching off.

If you turn off the device by cutting off the power supply, the setting would not be saved.

Warranty Card

Warranty Card		
User's name :	Address :	
Phone number :	Post code :	email :
Model name :	Purchase date :	
Fault feedback :		
Date :	Fault :	
Notice :		
Our warranty doesn't cover:		
1	If users can not provide the purchase proof or the Warranty.	
2	If users use it in an improper environment, such as incompatible power supply, high temperature environment etc.	
3	If the fault caused by accident, oversight, misoperation or natural disasters etc.	
4	If the fault caused by people who are not belong to authorized organizations of our company during repacking, repair, dismantle, Or if users repack, repair or dismantle the device not following our advice.	
5	Out of warranty period.	