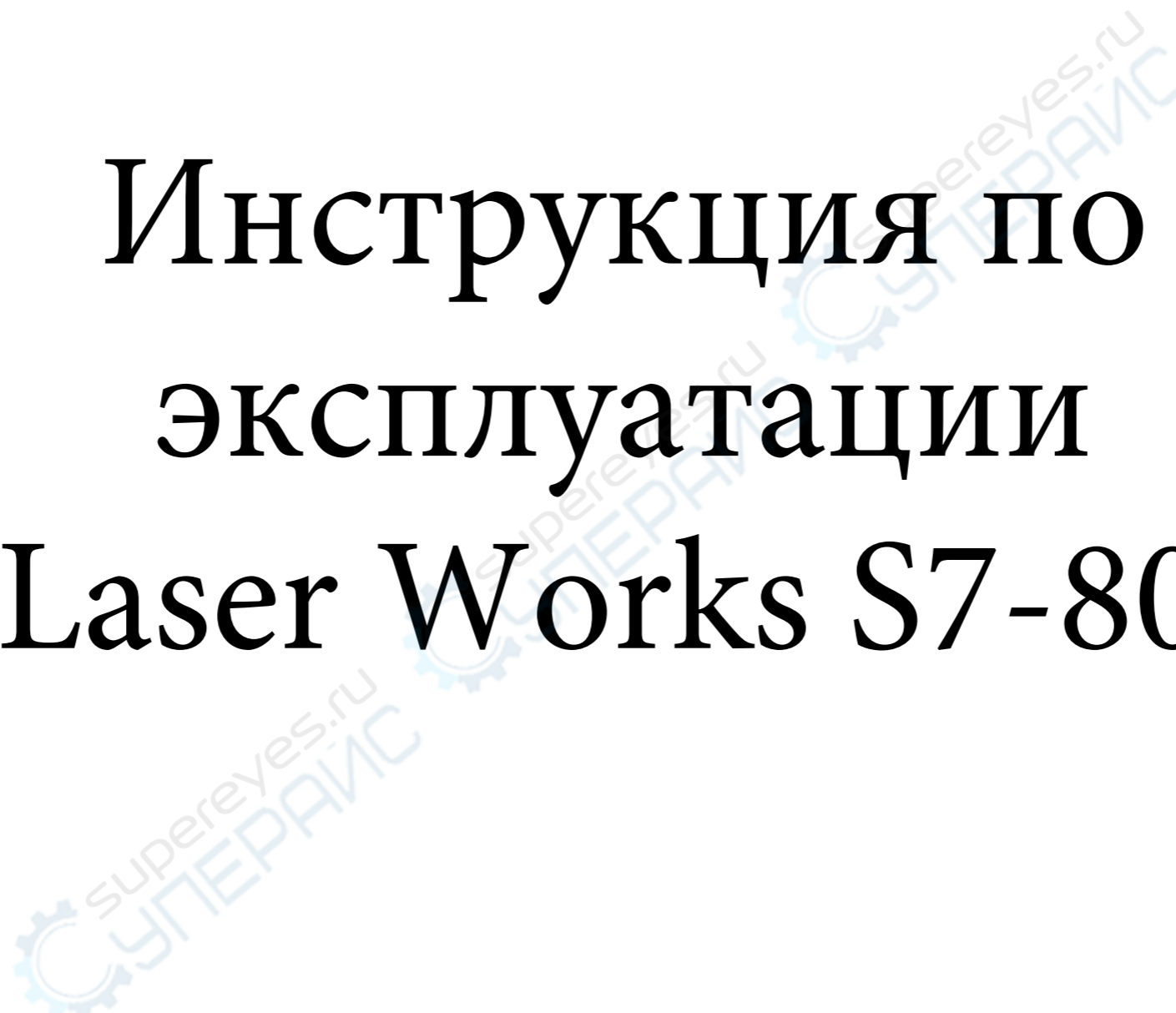


Инструкция по  
эксплуатации  
Laser Works S7-800



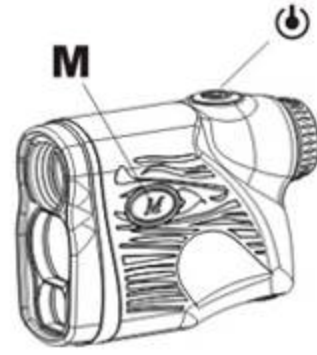
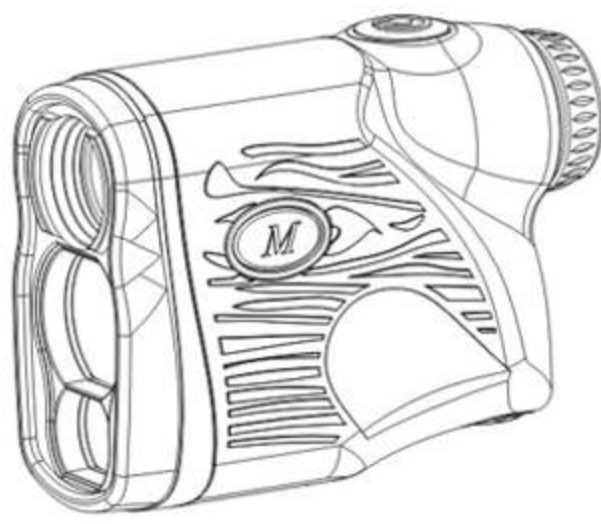
# Range Finder S7 PRO User Manual

## Features:

Objective Lens diameter: 21mm  
 Magnification Power: 6X  
 Field Of View: 7.2°  
 Eye relief: 16mm  
 Resolution: +/- 1M  
 Max range:  
 S7-800, 800M  
 S7-1200, 1200M  
 Min range:  
 S7-800, 5M  
 S7-1200, 5M  
 Speed: 0-300KM  
 Battery: 3V (CR2)  
 Waterproof

## Size:

Length: 101mm  
 (Include eyepiece)  
 Width: 40mm  
 Height: 77mm (Up)  
 71mm (Bottom)  
 Weight:  
 164g (Not include battery)  
 174g (Include battery)



## Automatically shut off: 30 seconds

### 1. Power On

Hold power button for about 1 second.

The display screen is default range mode.  
 For thereafter usage, the display screen is last time usage screen.

## 2. Changing Units of Measurement

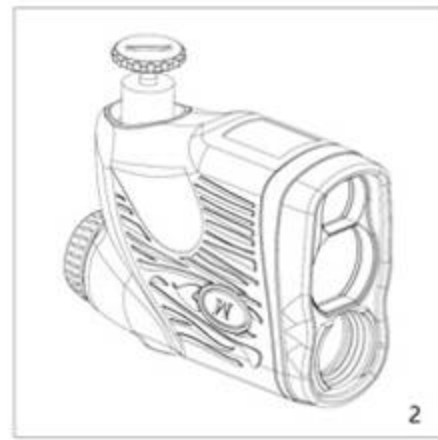
Hold M Button for 3 seconds to toggle meters (M) or yards (Y).  
 When in mode of "Ranging", "Pinseeker", "Golf distance correction", "Fog", "Horizontal distance measure" and "Vertical height", long press "M" key to change unit between Metric and Yard.

In Speed Mode, Unit has to be changed independently.

### 3. Low power warning

When battery power is too low, the low battery icon will appear all the time to remind user to change battery.

### Replacing Battery Instruction



## 4. Changing Modes

Hold M Button to choose between "Ranging", "Pinseeker", "Golf distance correction", "Fog", "Horizontal distance measure", "Vertical height" and "Speed" circularly.

### 4-1 Ranging Mode

Press power button to start Ranging.

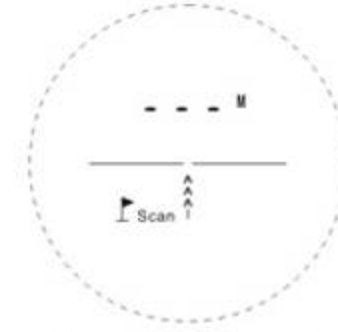


Under ranging mode, long press power key to activate scan mode. Pan rangefinder across targets, readings will display continuously.



### 4-2 Pinseeker Mode

Press and release M button to set Pin Seeker Mode.



In pin seeker mode, press power key to activate pin seeker scan function. Then target rangefinder aiming point at flag pole and scan. When to flag pole distance is measured, the reading will be kept and the flag on screen will blink to show that the flag distance is locked.

### Pin Seeker Mode

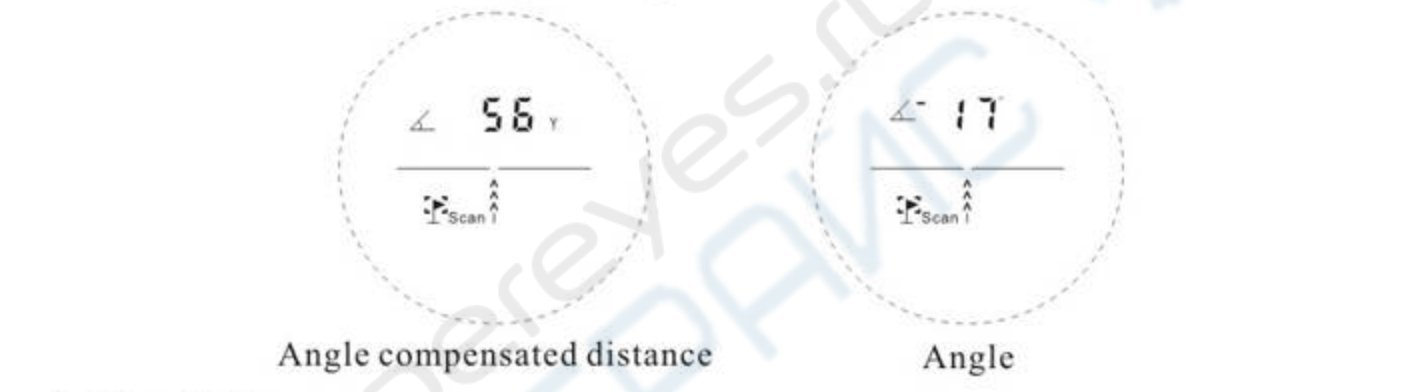


### 4-3 Golf Distance Correction ( Golf Slope Compensated Distance)

Press and release M button to set Golf Distance Correction mode.



Short press power key to activate "scan pin seeker ranging". The measure method is the same as "pin seeker mode". After acquiring distance to flag pole, the angle is measured at the same time. Rangefinder then starts ballistic calculation. The angle compensated distance will show alternatively with angle on the screen.



### 4-4 Fog Mode

Press and release M button to set Fog Mode

Short Press power button to start Ranging. Fog Mode will solve the interference caused by foggy.

Note: 1. In Fog Mode, effective distance should be over 25m  
 2. The device can only be used outside

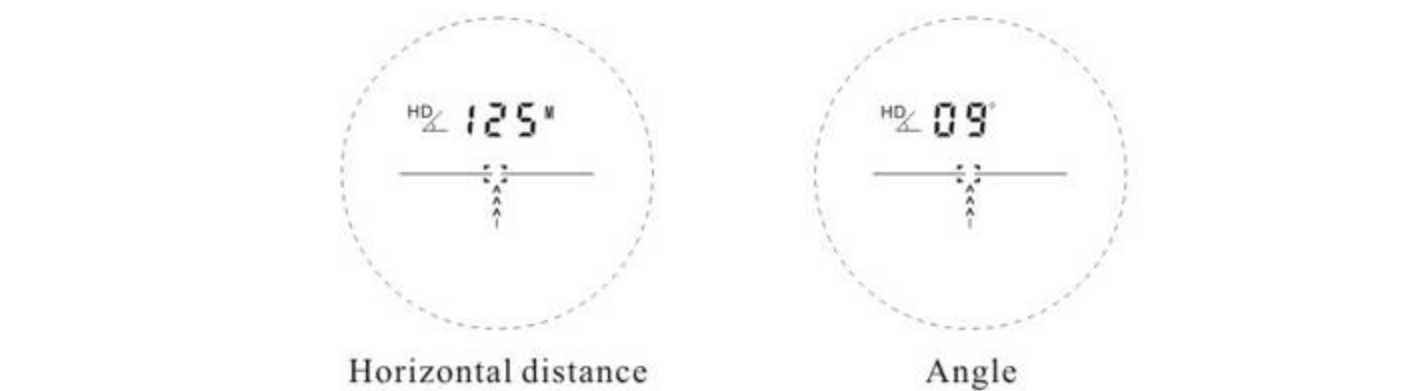
### Fog Mode



### 4-5 Horizontal distance measure

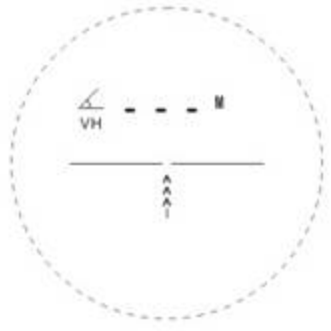
Press and release M Button to set the Horizontal distance Mode.

Short press power key to measure distance and angle, after calculation, horizontal distance and angle will display alternatively.

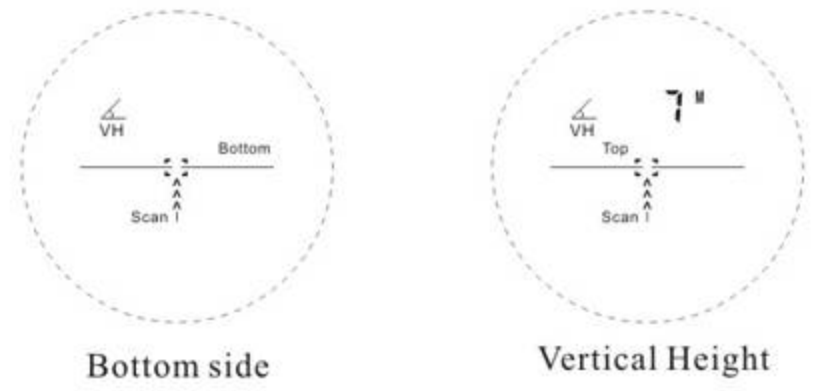


### 4-6 Vertical height measure mode

Press and release M button to set the Vertical height measure Mode

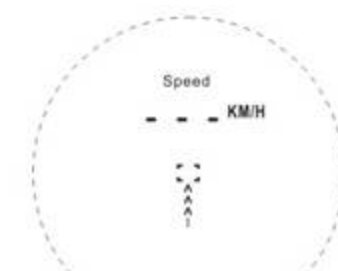


Aim the bottom of the target, press and hold power key, "Bottom" & "Scan" will show up in the screen, the rangefinder will start to measure to the bottom. When the distance to the bottom is measured, the screen will show "Up" & "Scan", then start to look for the top. Then distance to top position will be continuously displayed in the screen.



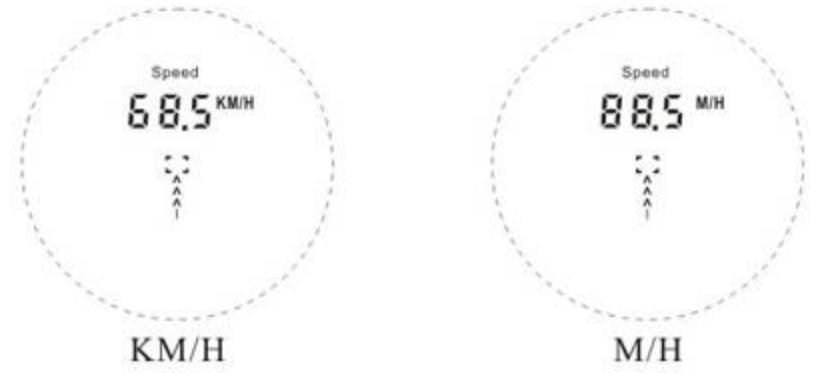
### 4-7 Speed Mode

Press and release M button to set the Speed Mode



Hold M To switch the Unit KM/H and M/H

Press power button to start measuring Speed  
 Aim moving target at two times, then the speed of moving object will display.



## 5. When there is no reading on internal LCD screen:

1. Make sure battery is inserted correctly and tightly;
2. Make sure no object block vision of objective lens, for example, glass or hand;
3. When measure, please hold product steadily and aim target correctly
4. If after above check, there is still no display, please look for your seller for maintenance.