

---

# SWITCHING DC POWER SUPPLY

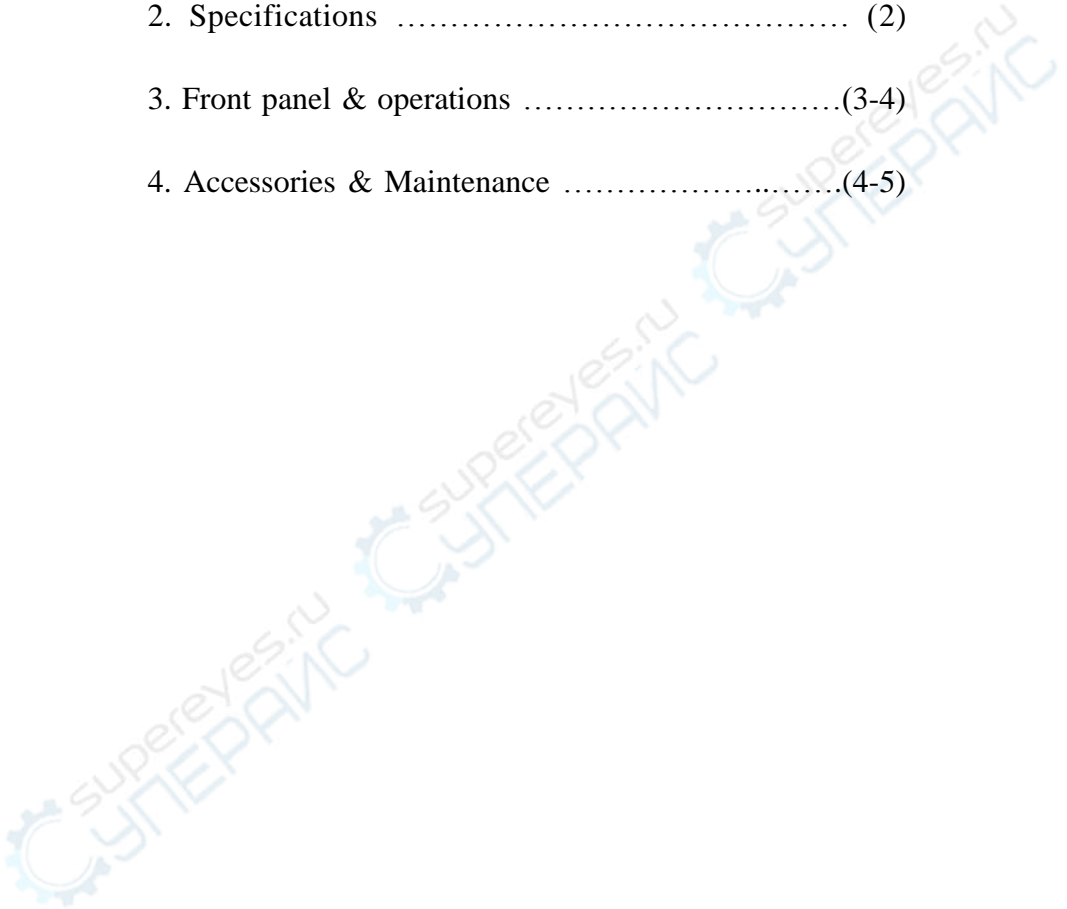


## OPERATION MANUAL

---

# INDEX

1. Introduction .....	(1)
2. Specifications .....	(2)
3. Front panel & operations .....	(3-4)
4. Accessories & Maintenance .....	(4-5)



---

# 1、 INTRODUCTION

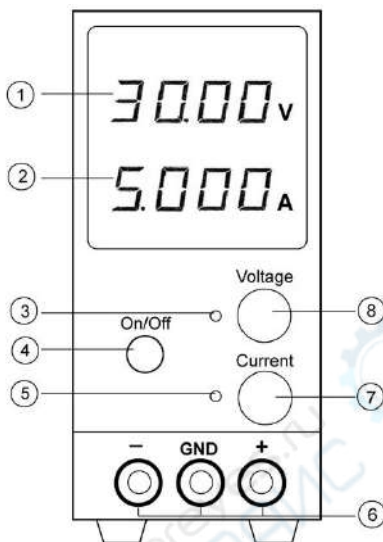
This series power supply is a newly developed model with high stability and accuracy. Its unique block-like structure makes it easily to be extended from single channel to multi-channel. It is an ideal instrument for R&D departments, colleges and factories.

## 2、 SPECIFICATIONS

Model	K302D	K303D	K305D	K3010D	K3205D
Line Voltage	110 / 200-240VAC,50Hz-60Hz				
Input Current(at 220VAC,full load)	110V	3A			
	220V	1.5A			
Output Voltage Range	30V	30V	30V	30V	32V
Output Current Range	2A	3A	5A	10A	5A
Voltage Display Accuracy	±0.5%				
Current Display Accuracy	±0.5%				
Efficiency	>85%				
<b>Voltage Regulation</b>					
Load Regulation(10-100%)	50mV		50mV		50mV
Line Regulation(200-240VAC)	20mV				
Ripple & Noise(P-P)	30mV		50mV		50mV
<b>Current Regulation</b>					
Load Regulation(10-100%)	20mA				
Line Regulation(200-240VAC)	20mA				
Ripple & Noise(P-P)	20mA				
<b>Others</b>					
Operating Ambient	-10℃ to + 60℃/ 30%RH to 90% RH				
Size	7(W) x 16(H) x 22(D)cm				
Weight	1.35kg				

---

### 3、 FRONT PANEL & OPERATION



#### Functions of the controls on front panel

- (1) 3 or 4 digit LED display of Voltage.
- (2) 3 or 4 digit LED display of Current.
- (3) CV (Constant Voltage) indicators. If the current passing through the load is lower than the preset value of current, the power supply is working in Constant Voltage state, and CV indicator lights.
- (4) Power Switch.
- (5) CC (Constant Current) indicators. If calculated with Ohm's law, the current passing through the load would be larger than preset value of current, the power supply will work in Constant Current state, CC indicator lights, and the actual current is limited to the preset value of current.
- (6) Output terminals.
- (7) Current adjusting knob.
- (8) Voltage adjusting knob.

---

## 3.1 OPERATION

### Connection of output ports:

Plugging test leads into port “+” and “-” only, it will work in floating mode. And you can also get plus or minus voltage by connecting “+” or “-” with “GND”.

### Setup Constant Voltage:

Keep test leads open, adjust voltage knob to get desired voltage.

### Setup Constant Current:

Turn voltage and current knobs CCW to their small value positions, short circuit the test leads, adjust current knob to get a desired current.

## 4、 ACCESSORIES & MAINTENANCE

### 4.1 accessories

Power Cord	1pc
User's Manual	1pc
Fuse	1pc

---

## 4.2 caution

- 1、 If the Power Supply can't be switched on, and line power is confirmed with no problem, the fuse of Power Supply may be broken. Switch off the Power Supply, disconnect the power cord, and change the fuse.
- 2、 When working in Constant Voltage state, if output voltage lower than what was preset and CC indicator lights, the instrument automatically turn to Constant Current state. You must check the load or increase the output current.
- 3、 When working in Constant Voltage state, if output current lower than what was preset and CV indicator lights, the instrument automatically turn to Constant Voltage state. You must check the load or increase the output voltage.
- 4、 When the instrument is unstable in Constant Voltage state, Probably the line voltage is under 90% of the rated value. If the problem is not caused by the line voltage, contact your nearest dealer.