

# NanoPi M1 Plus

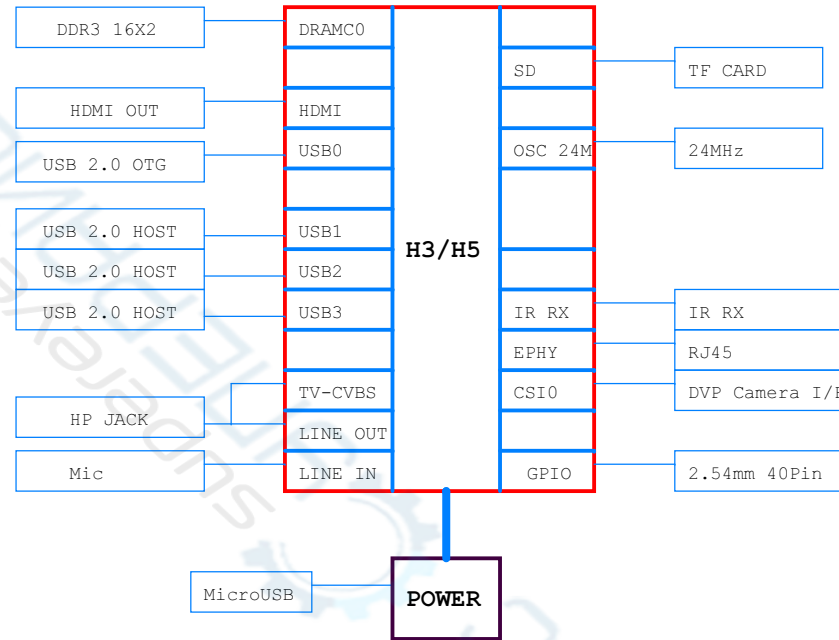
Revision

1702 , First Release  
2017/05/18 rename net PWM1/GPIOA6 to GPIOA6

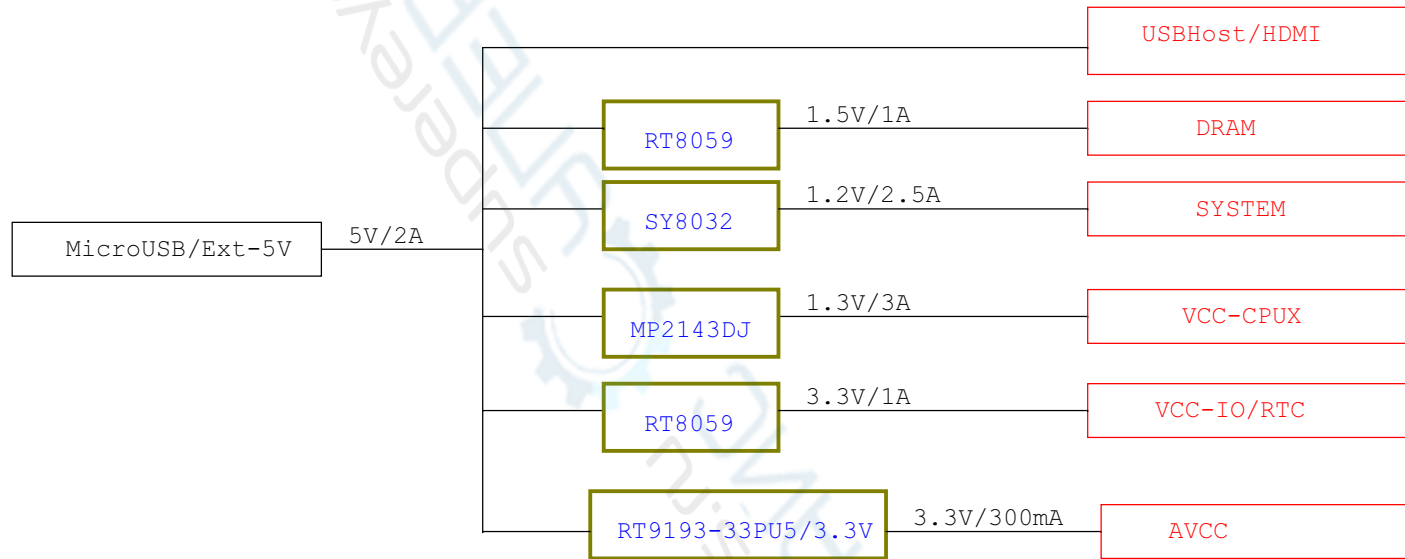


NanoPi M1 Plus		
Size A3	Document Number Title	Rev 1702
Date:	Thursday, May 18, 2017	Sheet 1 of 15

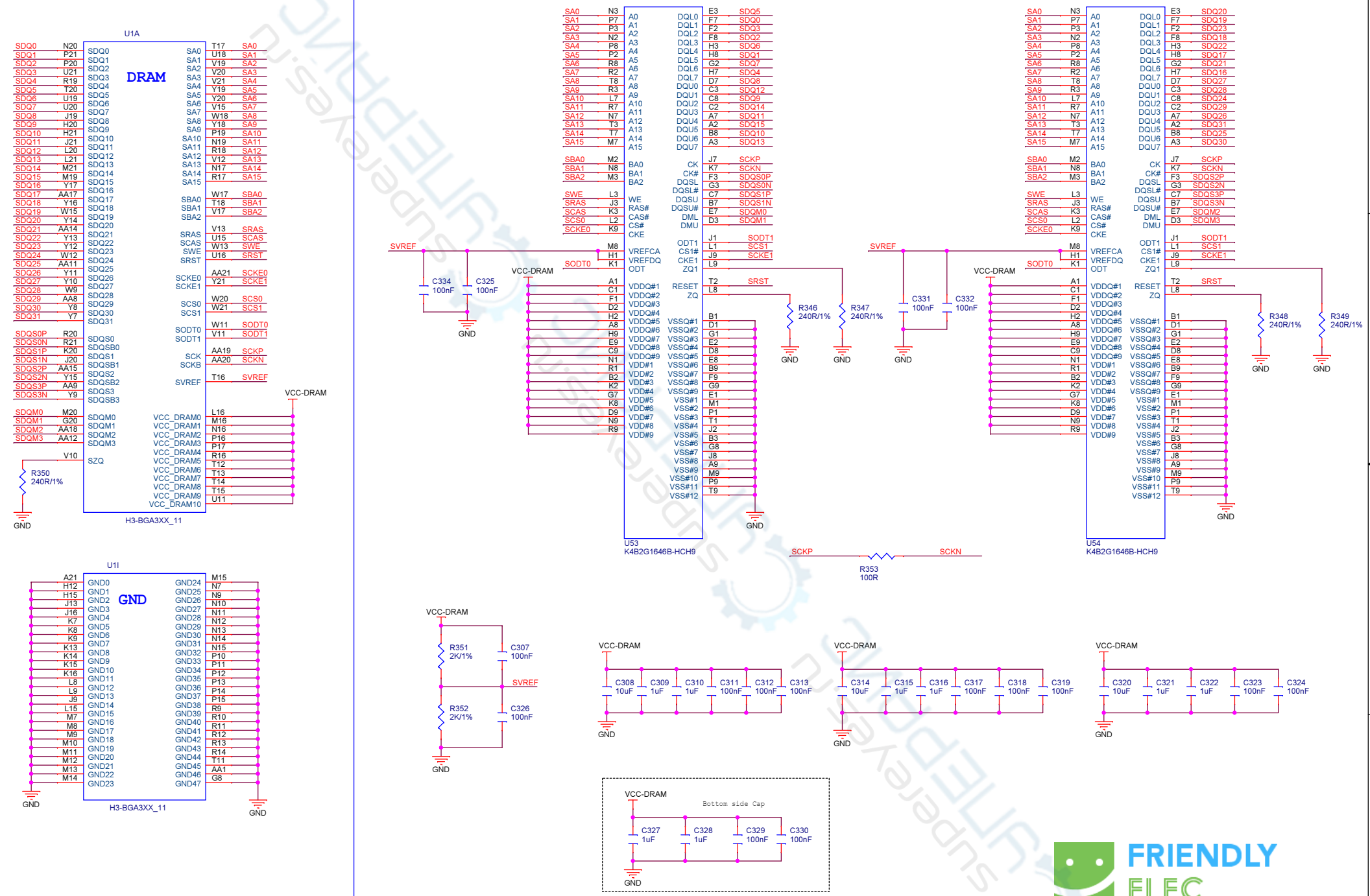
# BLOCK



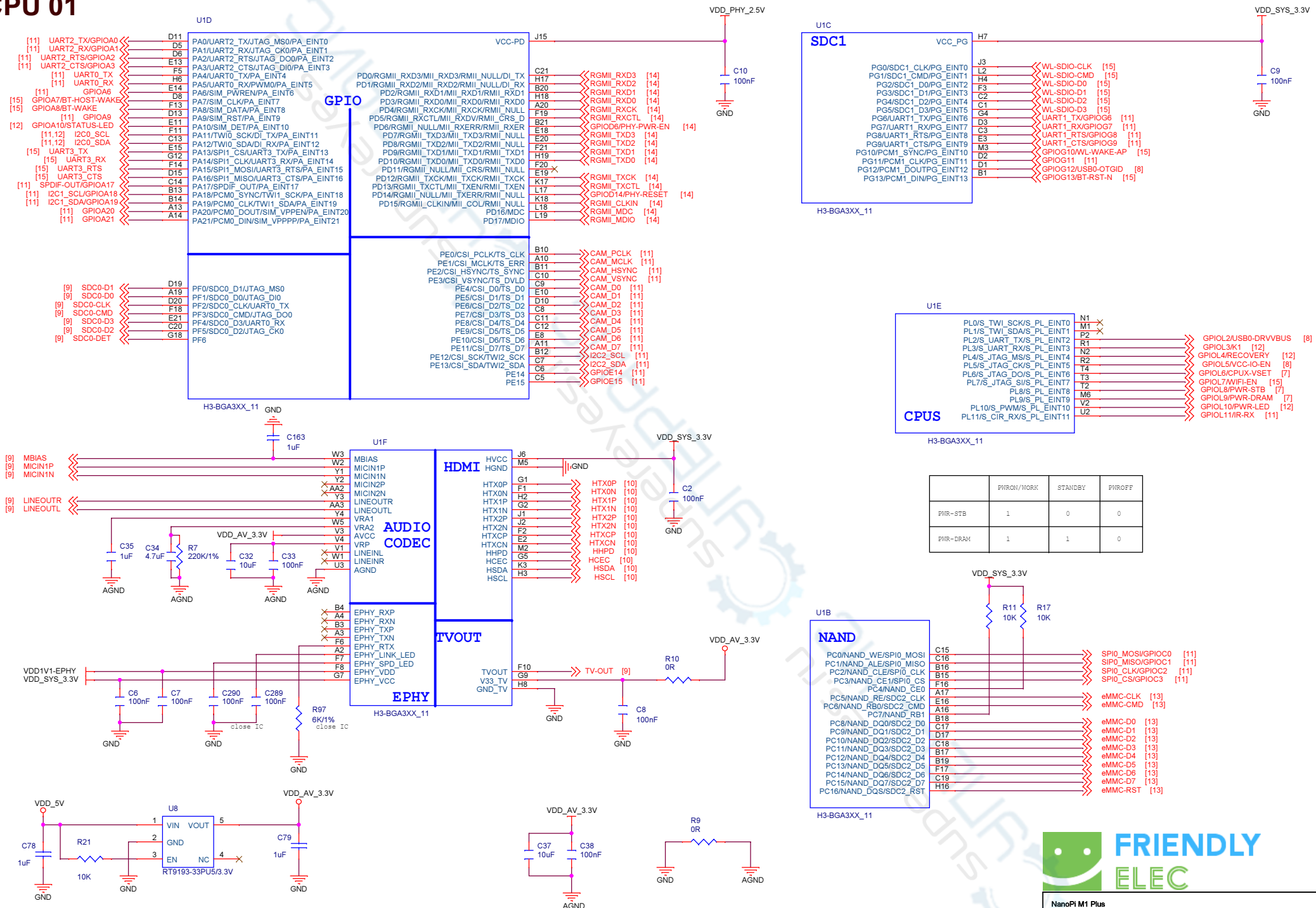
# POWER TREE



# DDR3 16x2



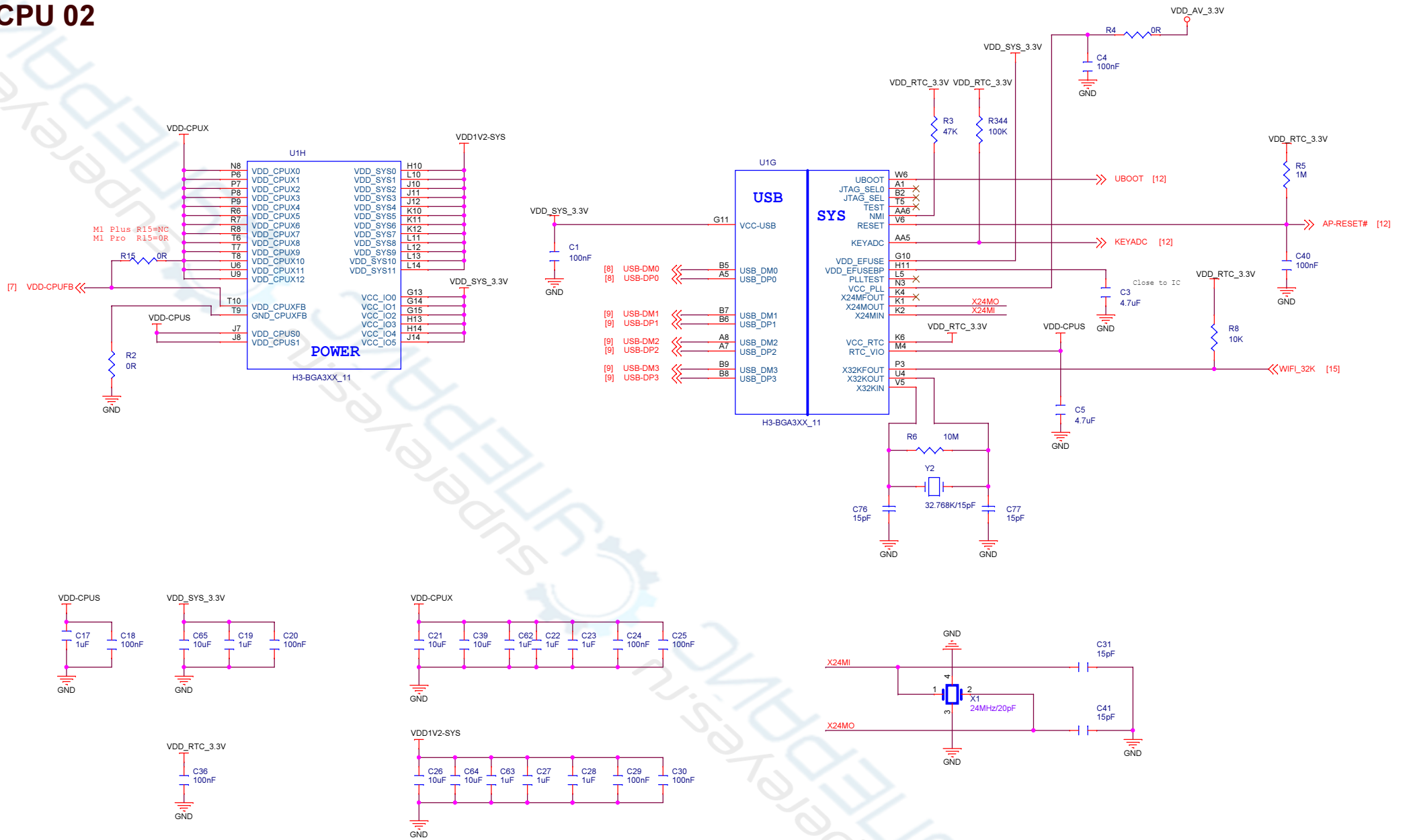
# CPU 01



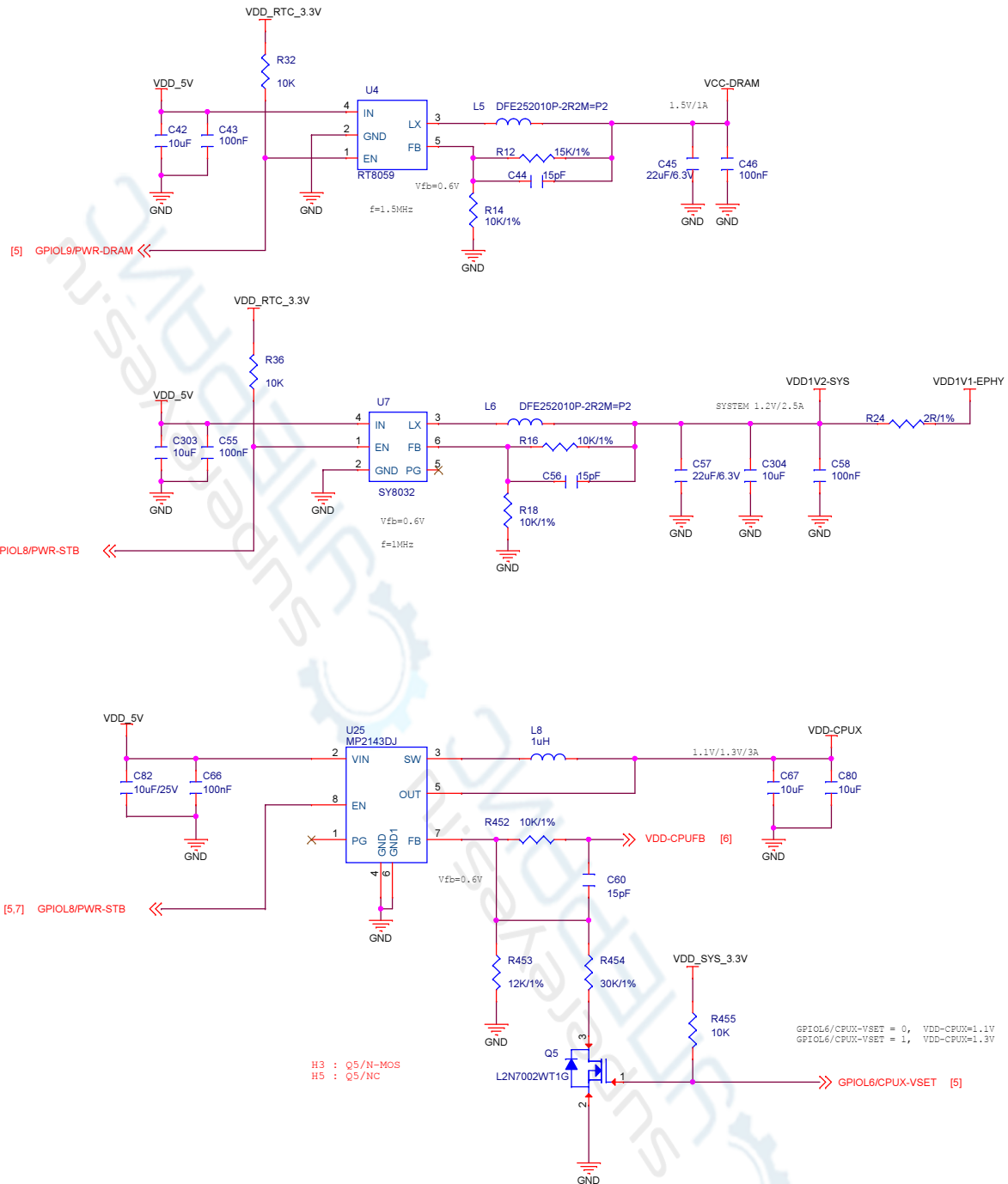
	PWRON/WORX	STANDBY	PWROFF
PWR-STB	1	0	0
PWR-DRAM	1	1	0



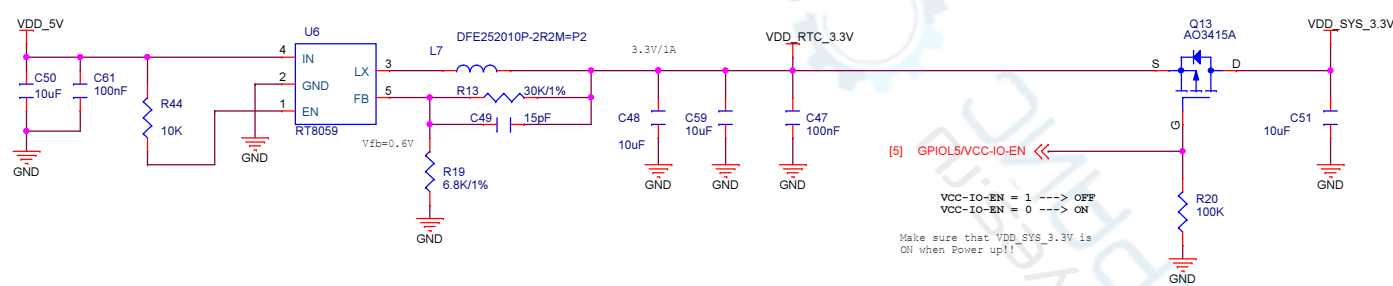
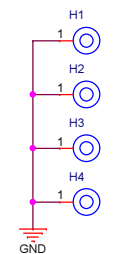
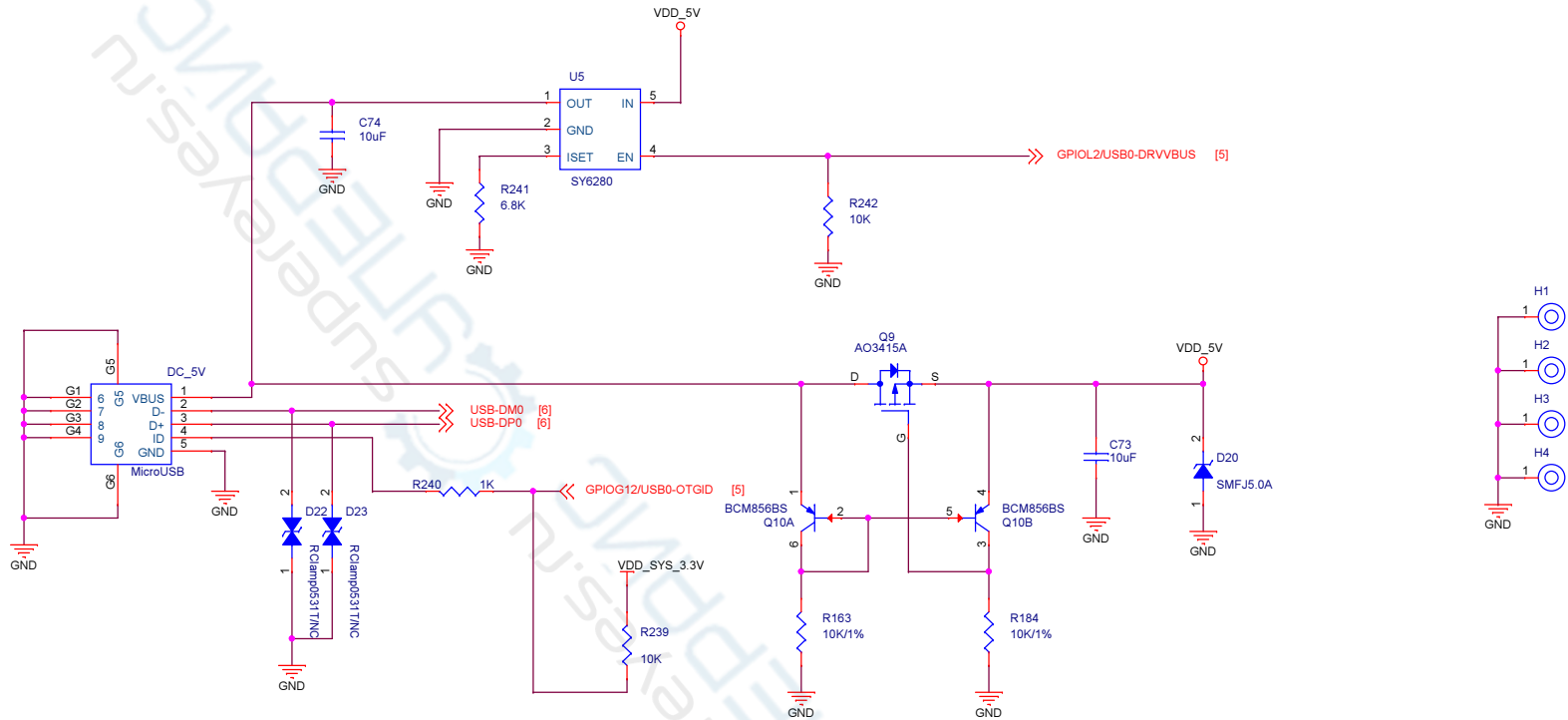
# CPU 02



# POWER 01



# POWER 02



[5] GPIO15/VCC-IO-EN <<

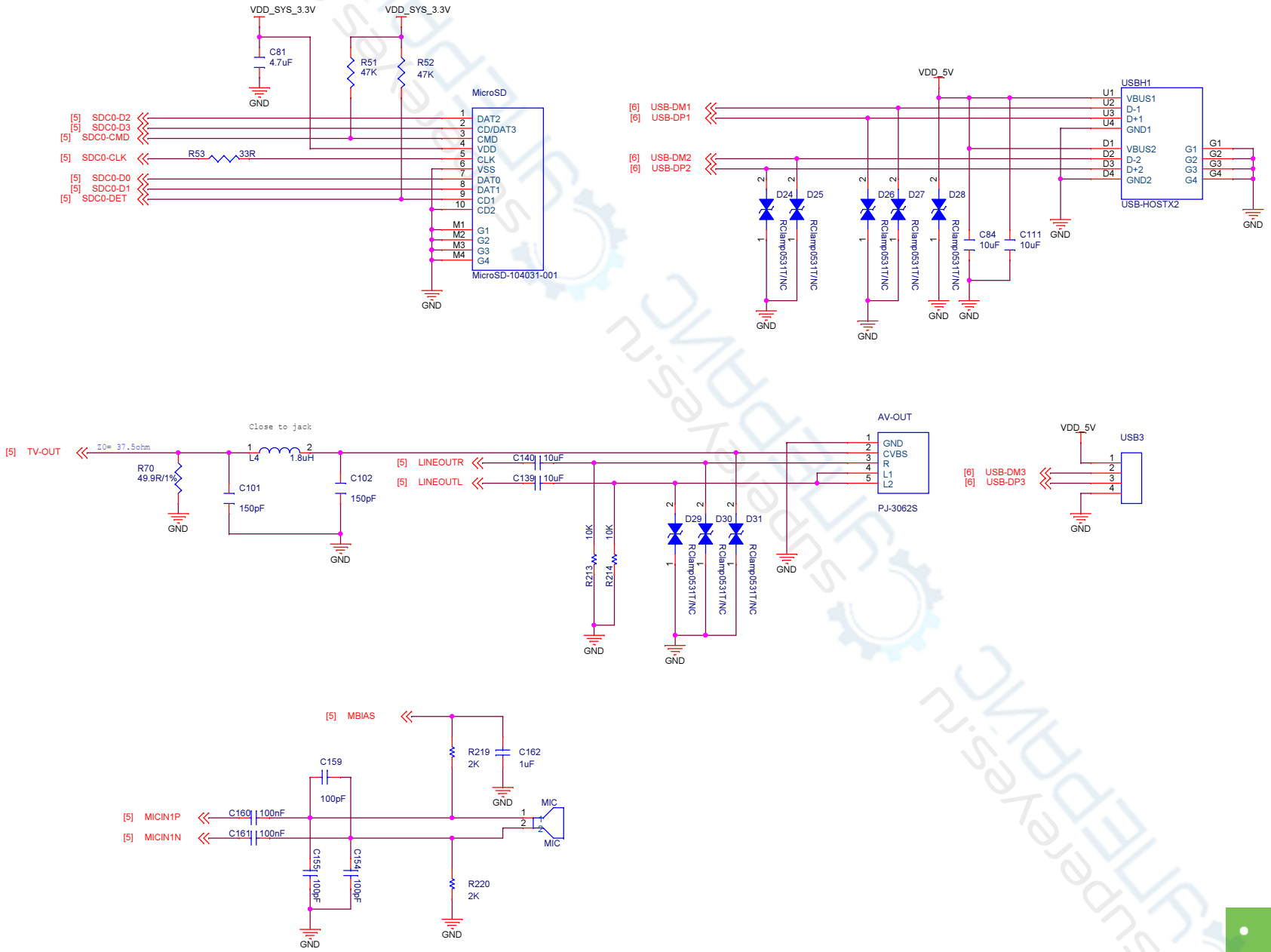
VCC-IO-EN = 1 ----> OFF  
 VCC-IO-EN = 0 ----> ON

Make sure that VDD\_SYS\_3.3V is ON when Power up!!



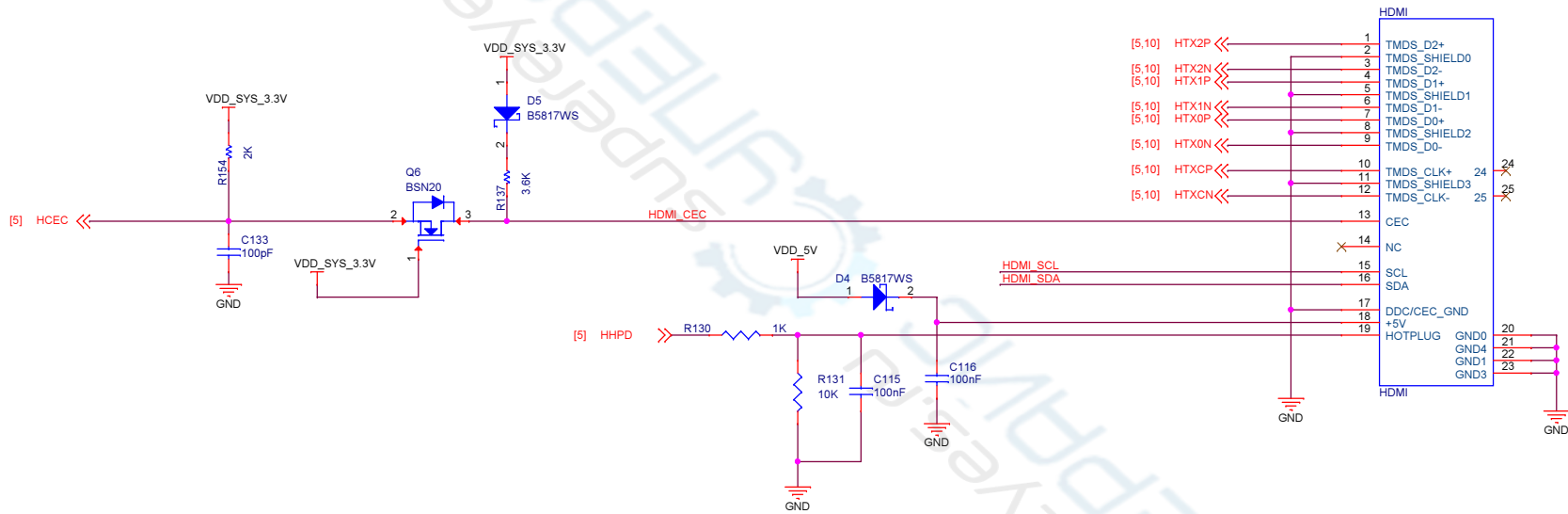
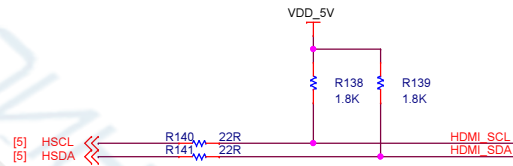
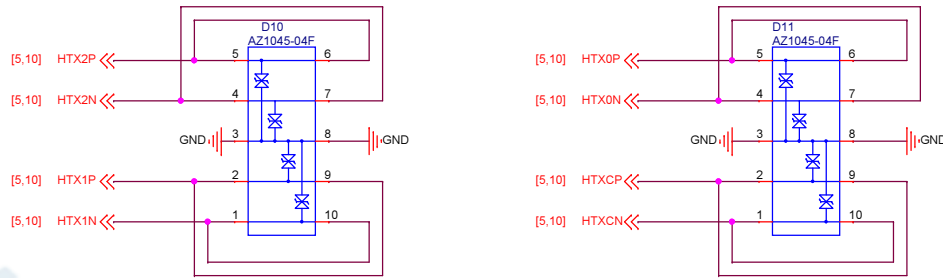


# TF,USB Host, AV,MIC

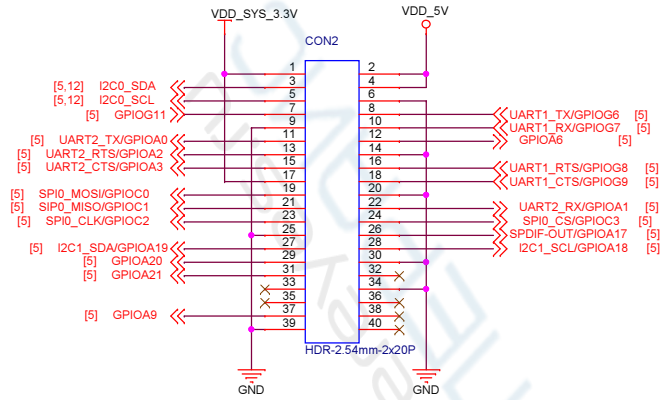


NanoPi M1 Plus		
Size A3	Document Number TF,USB Host, AV,MIC	Rev 1702
Date: Thursday, May 18, 2017	Sheet 9	of 15

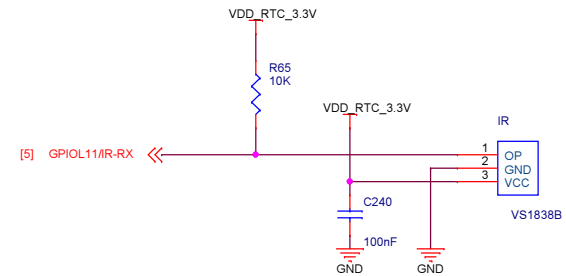
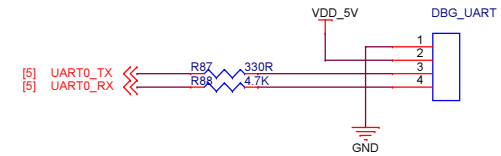
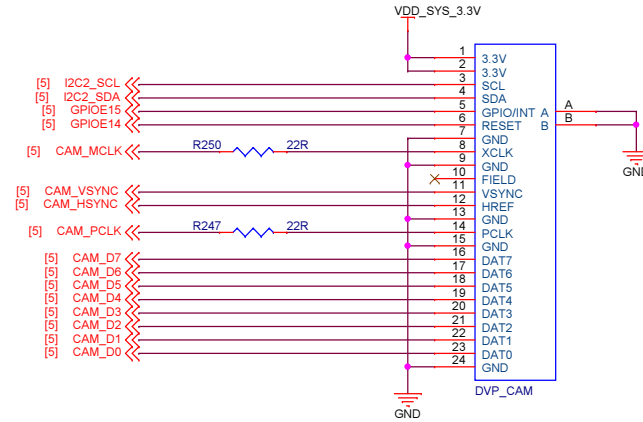
# HDMI



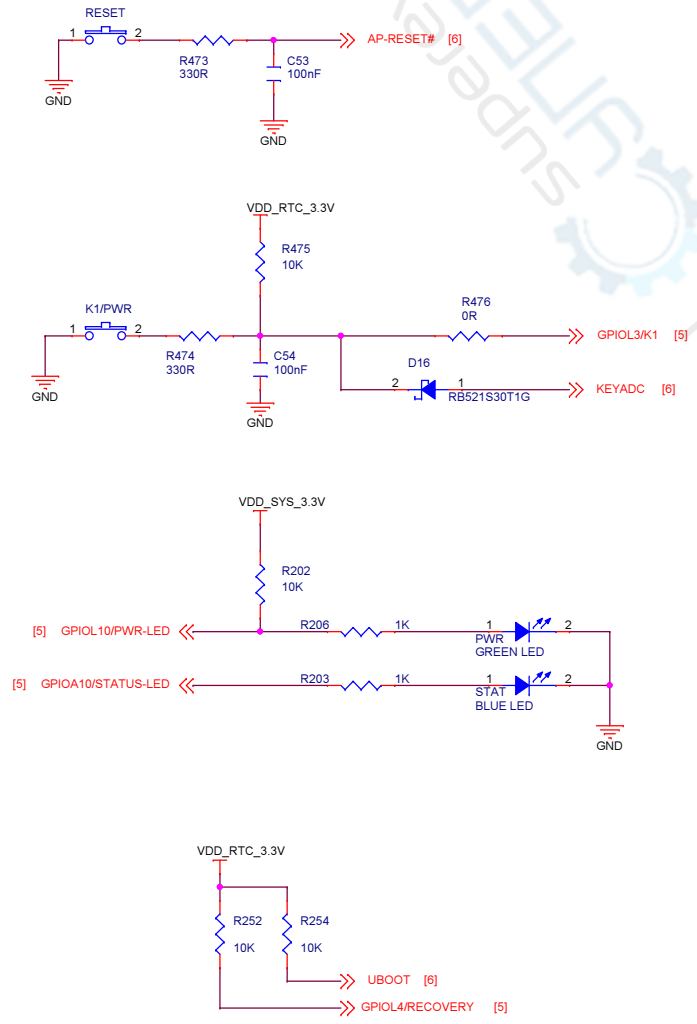
# GPIO, CAM, IR



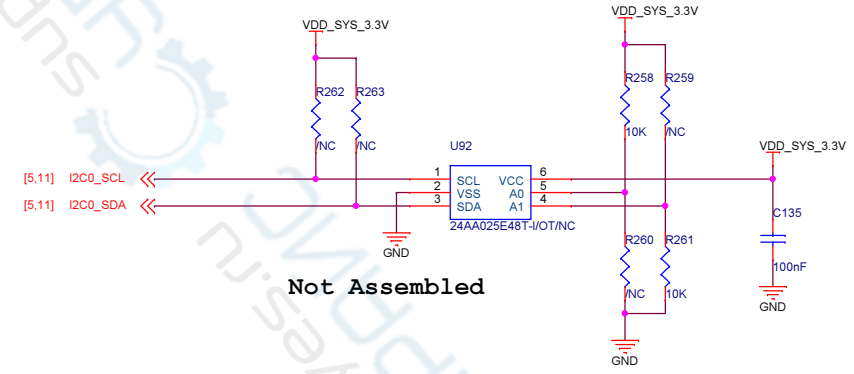
## Camera Interface



# LEDs, LAN, Keys



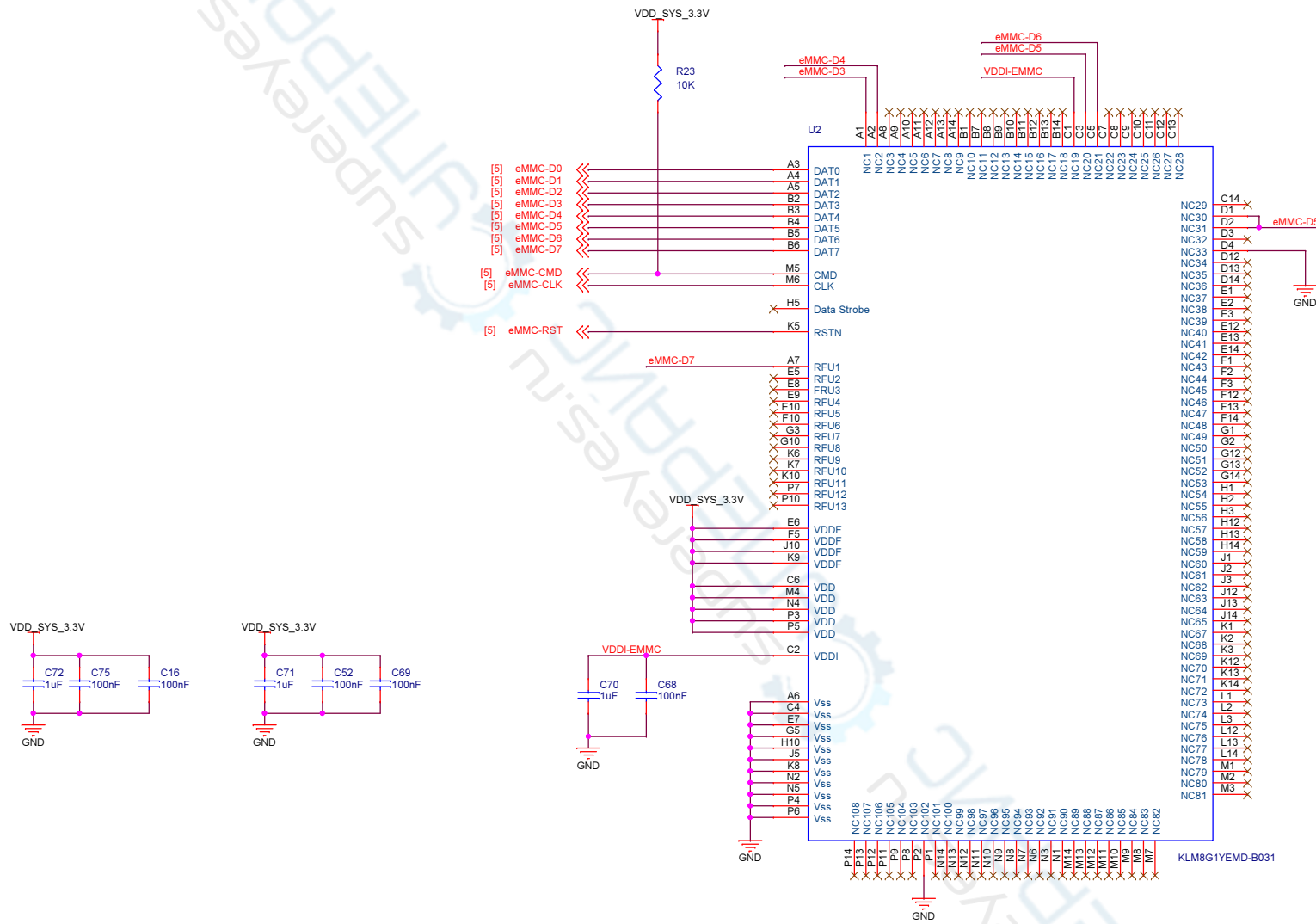
## EEPROM with MAC Address



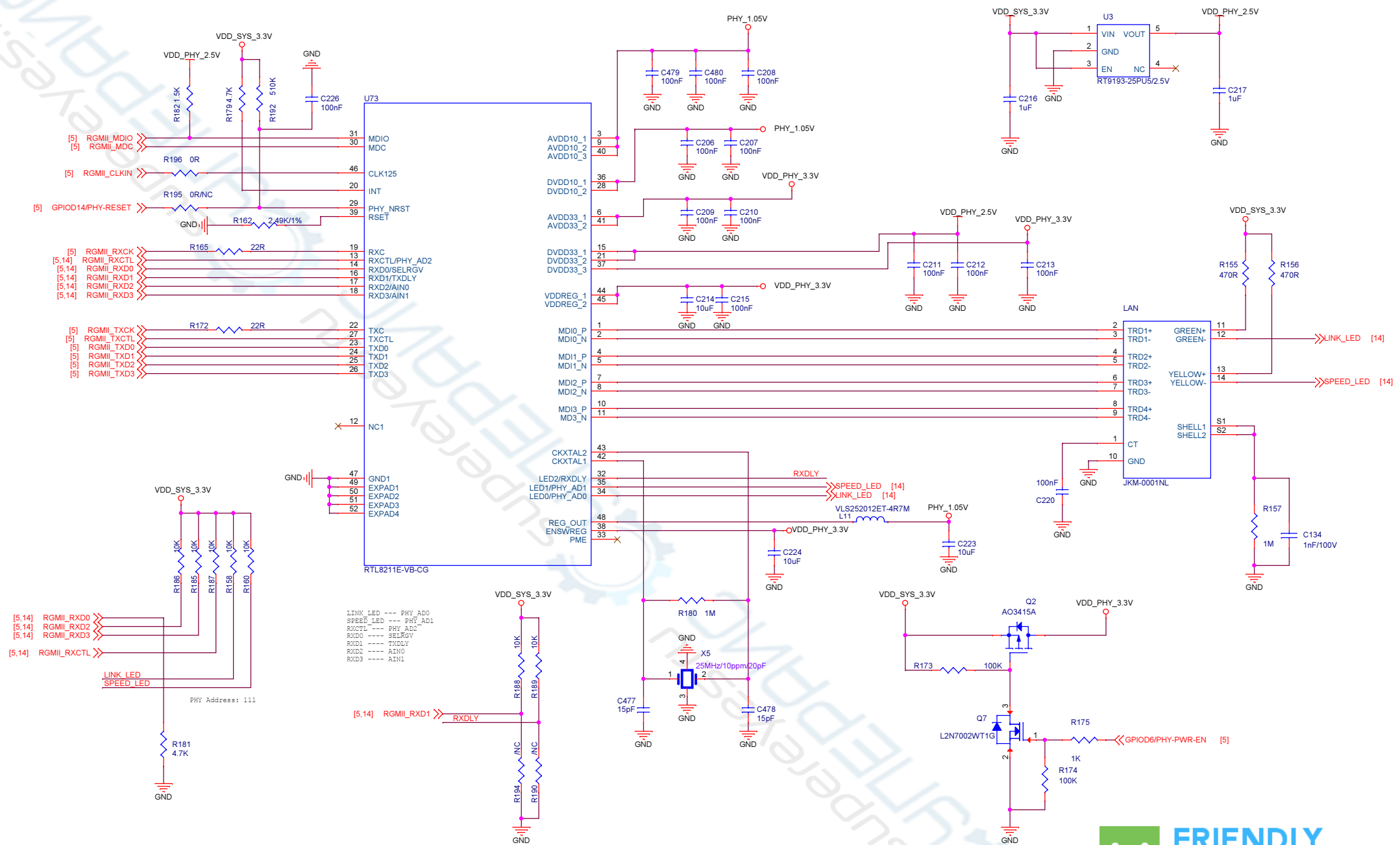
Not Assembled



NanoPi M1 Plus		
Size A3	Document Number LEDs, LAN, Keys	Rev 1702
Date: Thursday, May 18, 2017	Sheet 12 of 15	



# 10/100/1000M Ethernet



NanoPi M1 Plus		
Size A3	Document Number 10/100/1000M Ethernet	Rev 1702
Date: Thursday, May 18, 2017	Sheet 14	of 15

