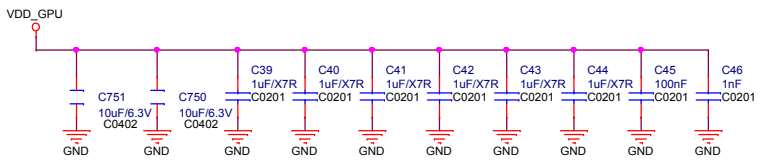
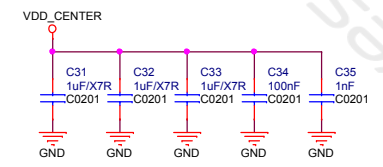
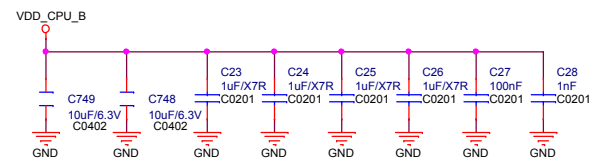
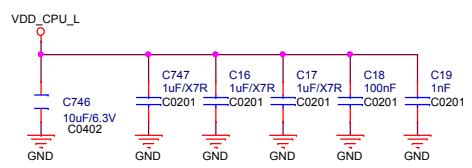
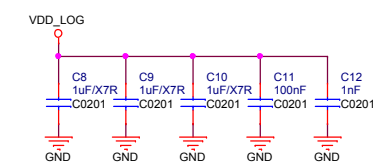
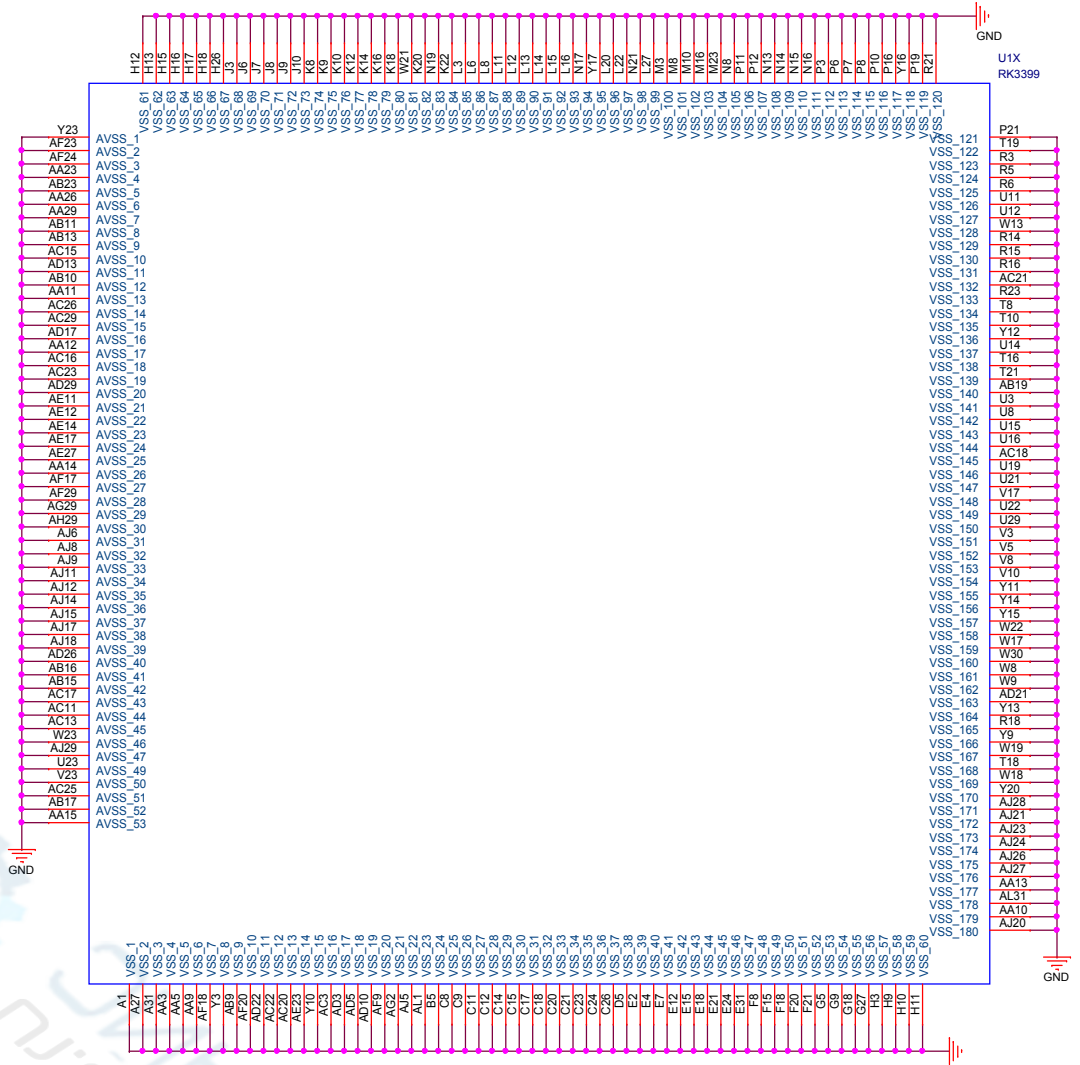
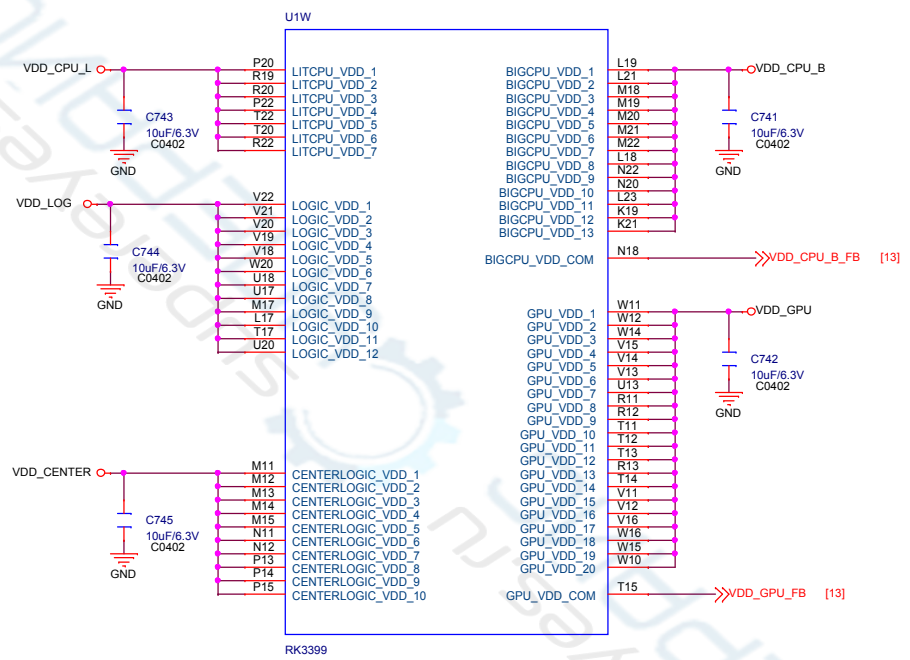


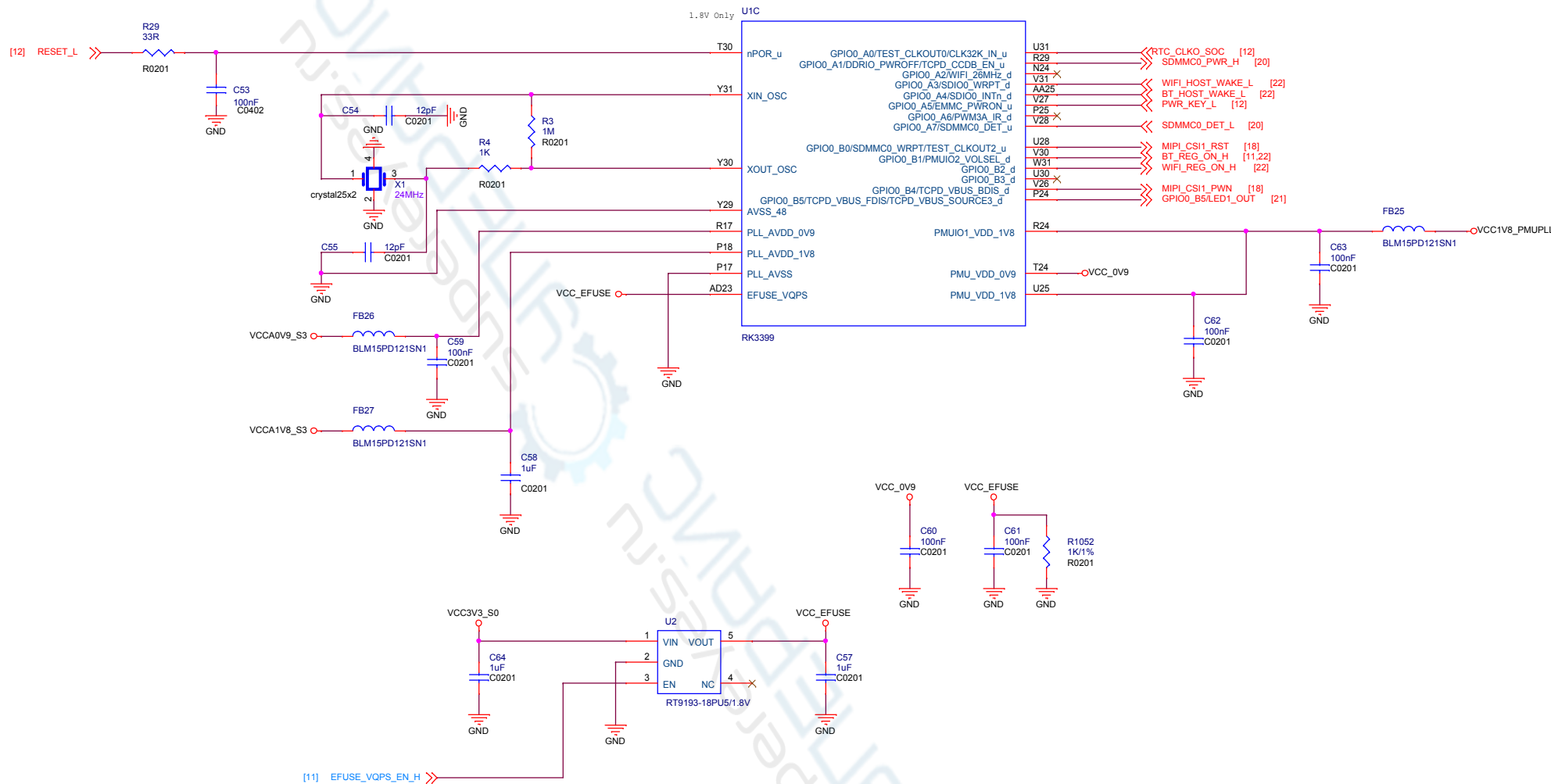
NanoPi M4V2

2020/01/13:
C819 -> 4.7uF/10V, C320 -> 1uF, C821-> 1uF

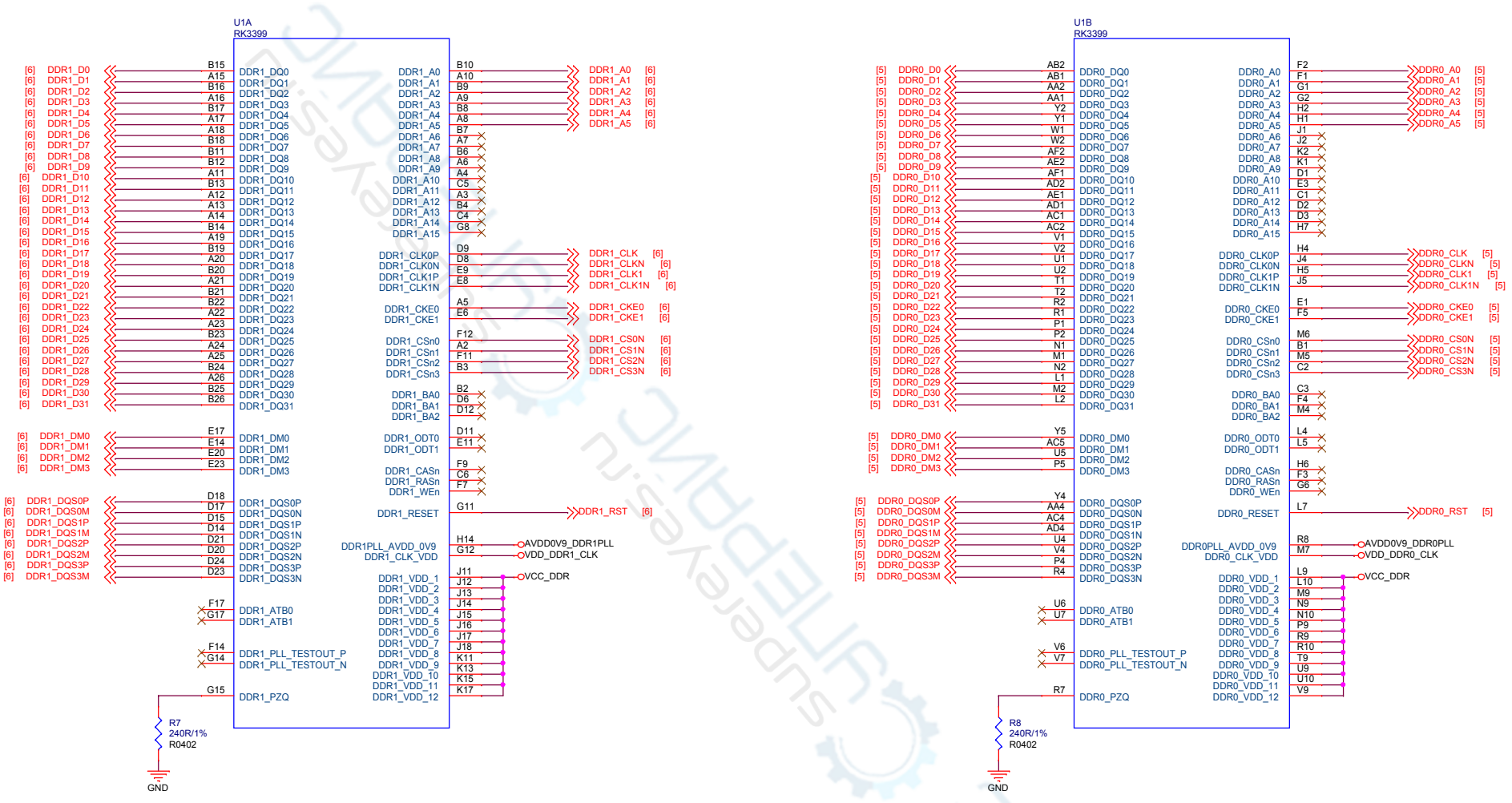


NanoPi M4		
Size A3	Document Number 01.Title	Rev Ver2.0 1908
Date:	Monday, January 13, 2020	Sheet 1 of 25

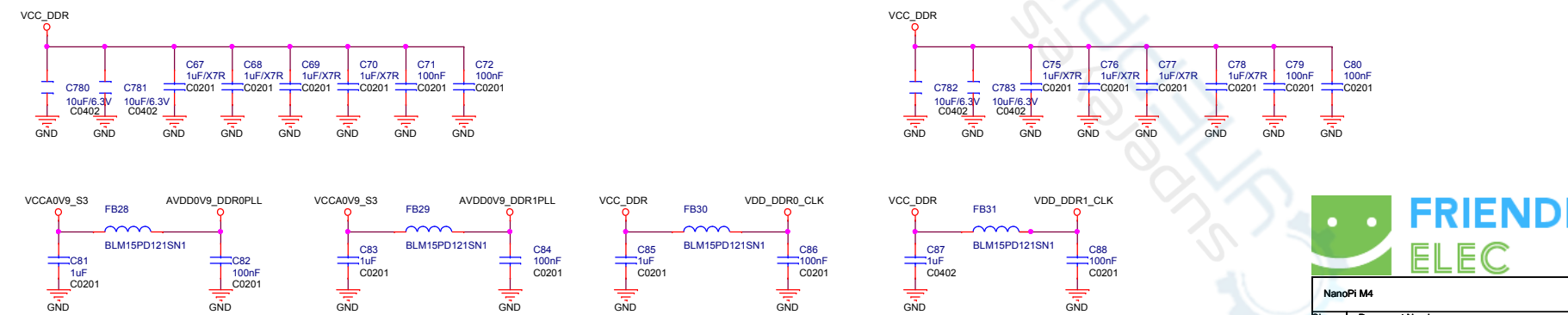




NanoPi M4		
Size A3	Document Number 03.RK3399 PMU Controller	Rev Ver2.0 1908
Date: Tuesday, September 10, 2019	Sheet 3 of 25	

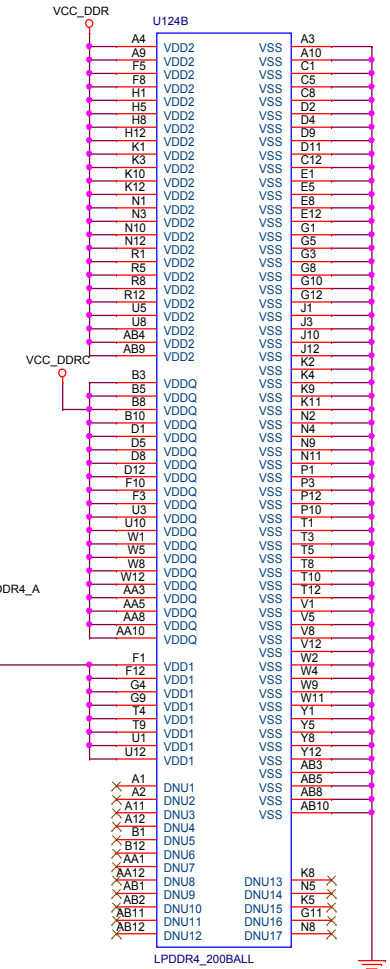
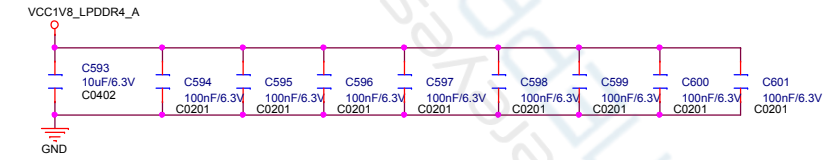
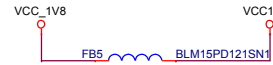
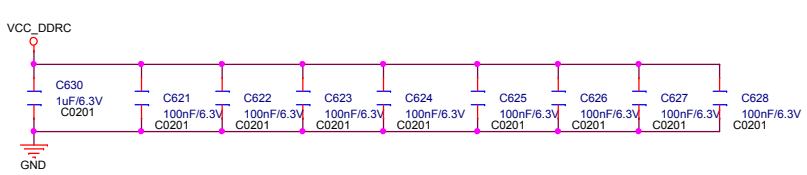
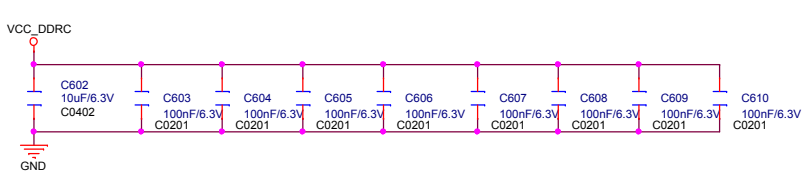
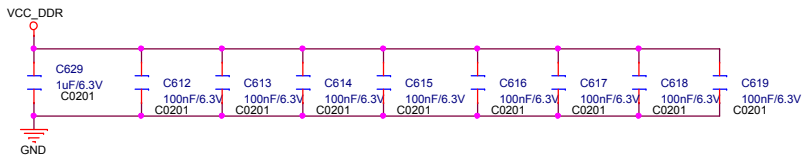
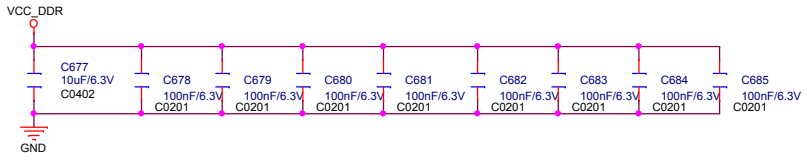
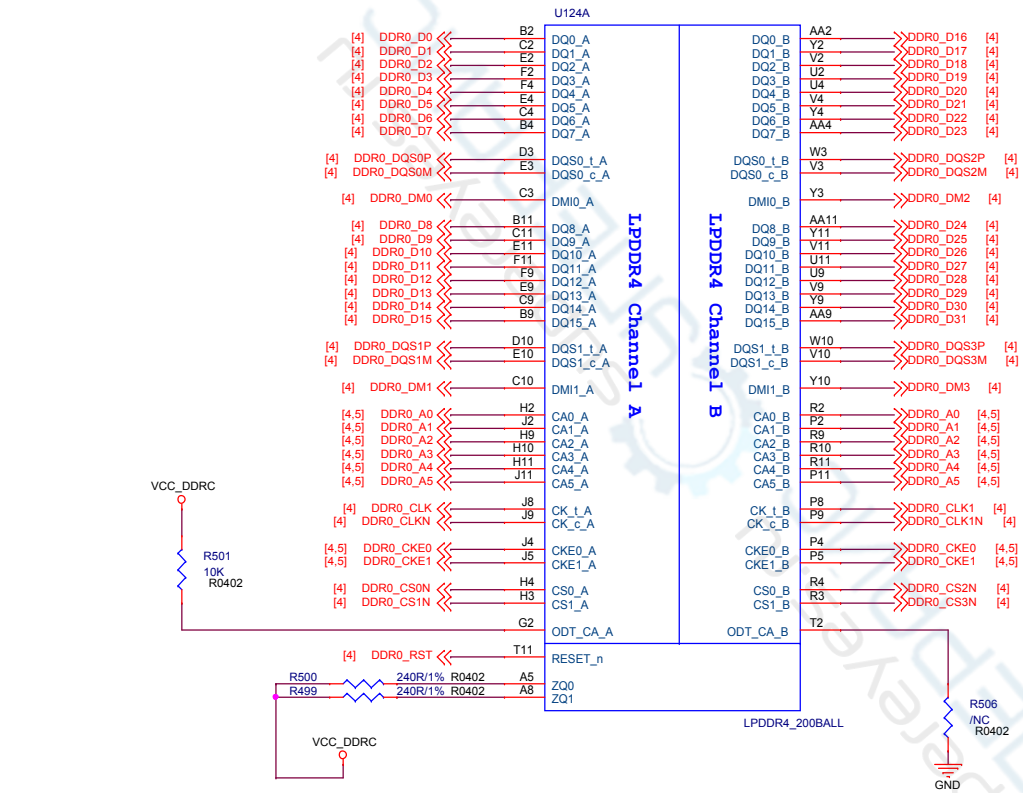


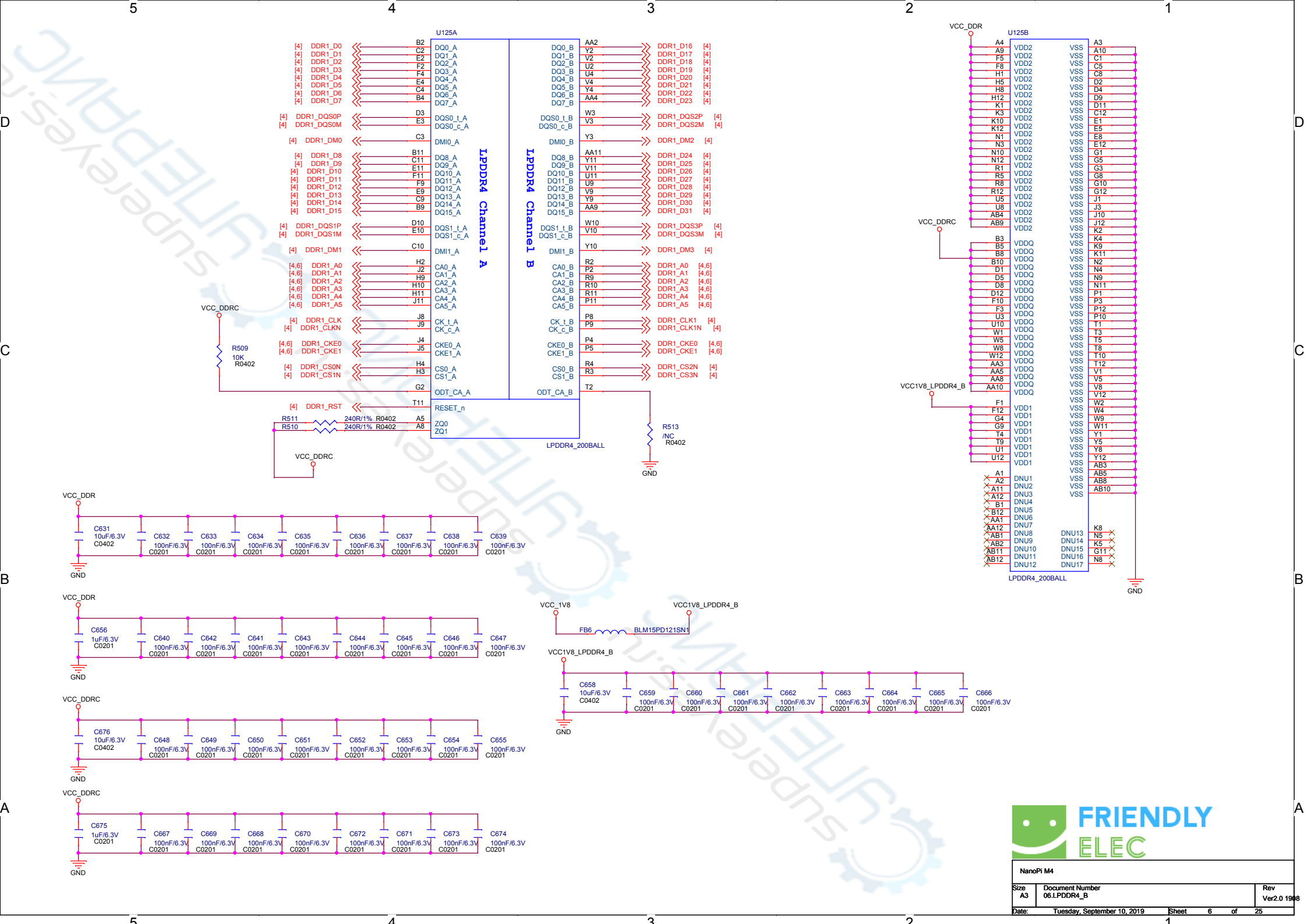
DDR FILTER

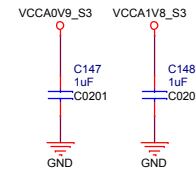
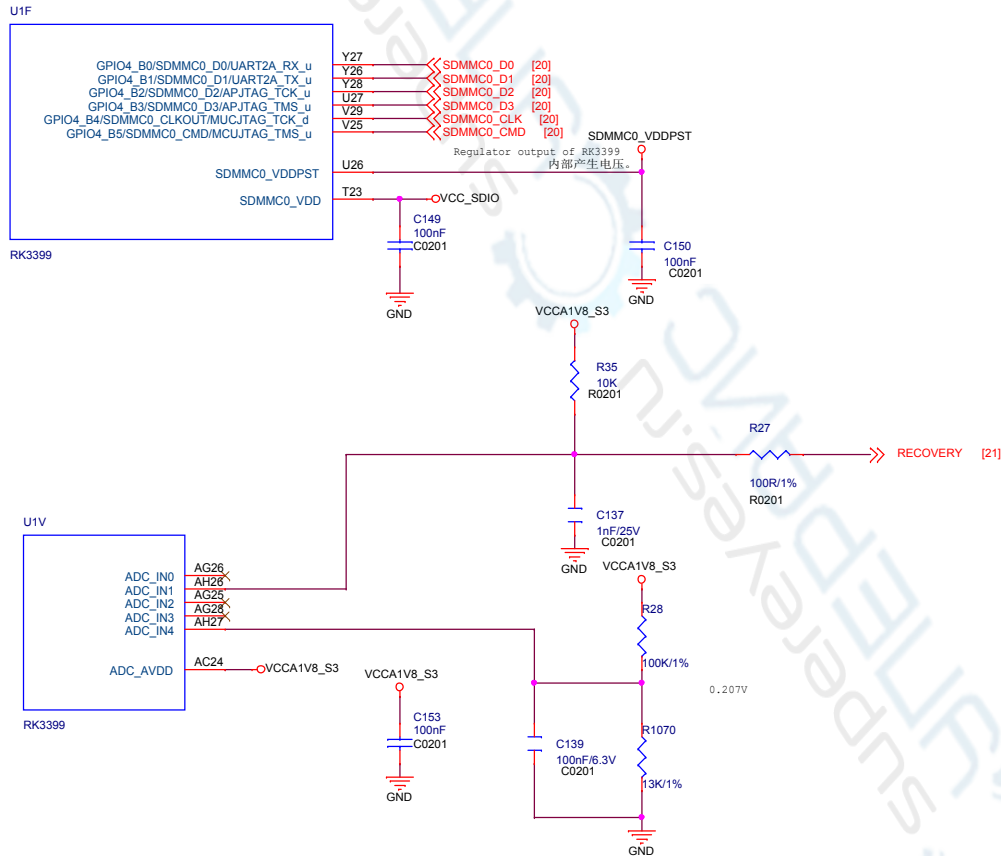
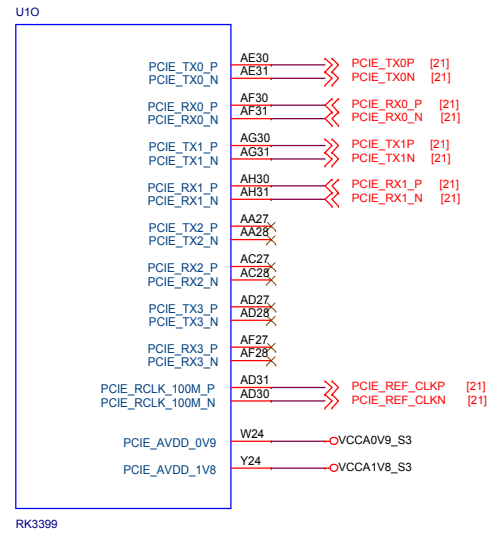
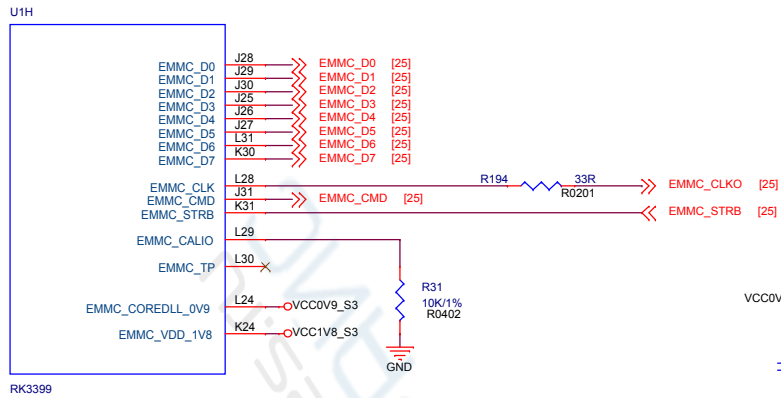


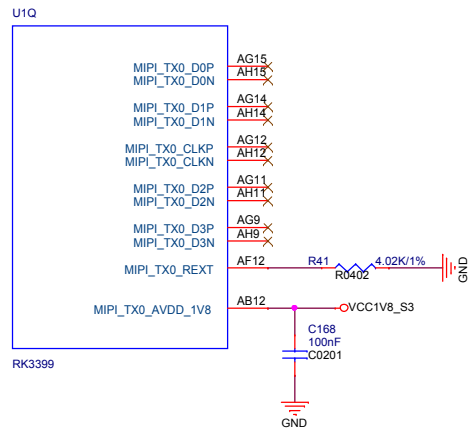
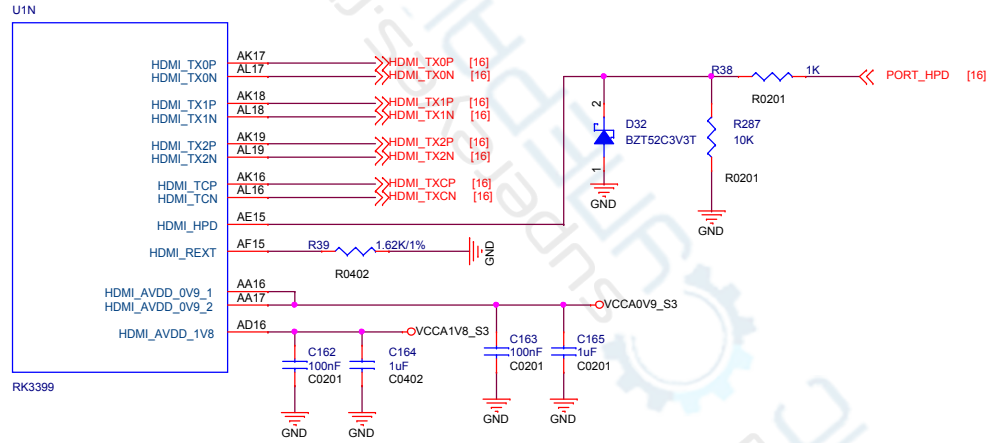
FRIENDLY ELEC

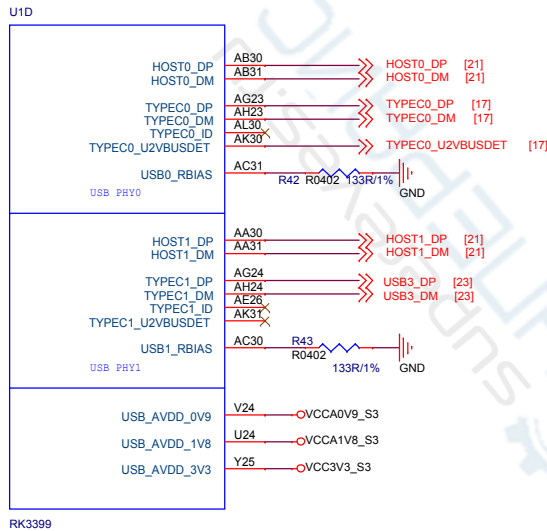
NanoPi M4		
Size A3	Document Number 04.RK3399 DDR Controller	Rev Ver2.0 1908
Date: Tuesday, September 10, 2019	Sheet 4	of 25



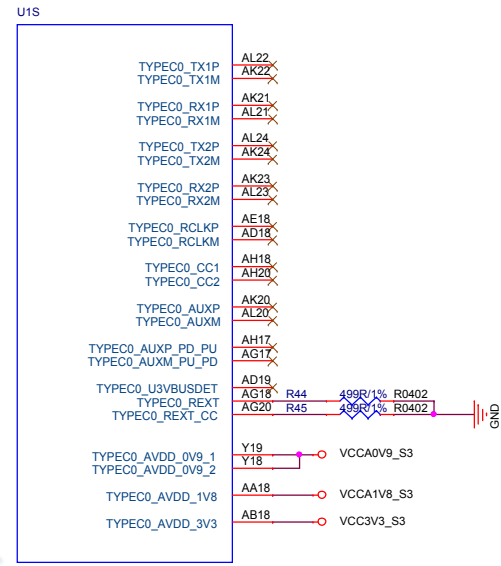
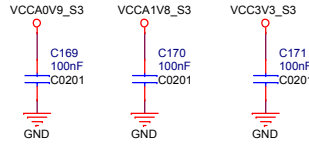




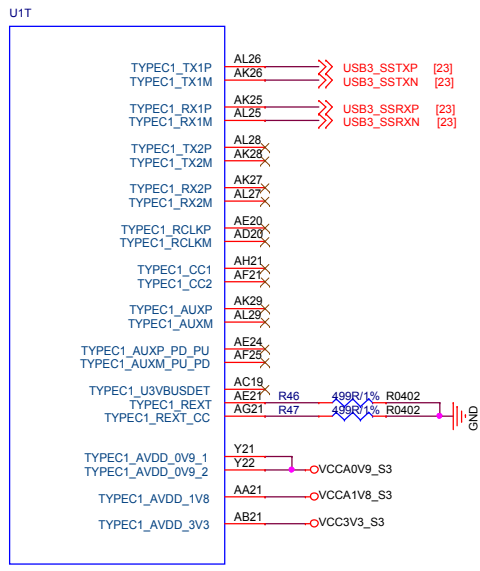
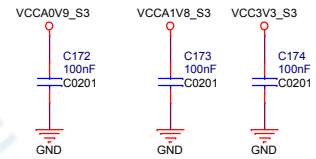




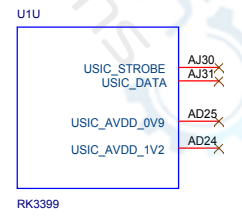
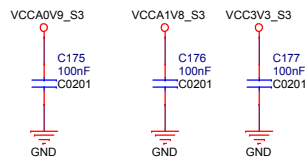
RK3399



RK3399



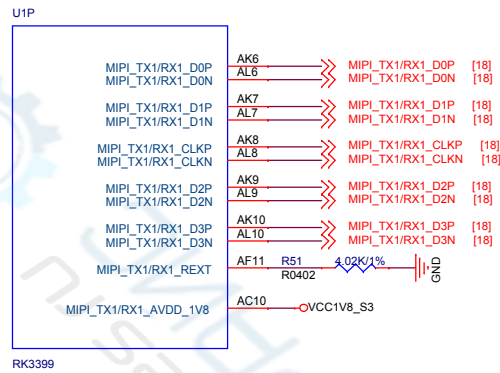
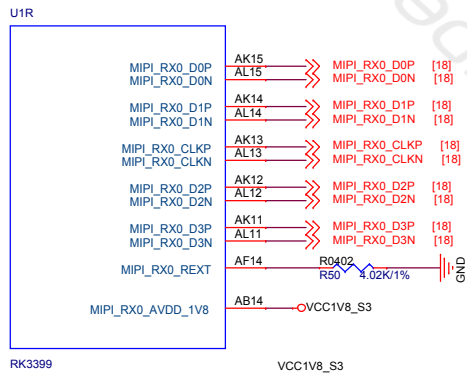
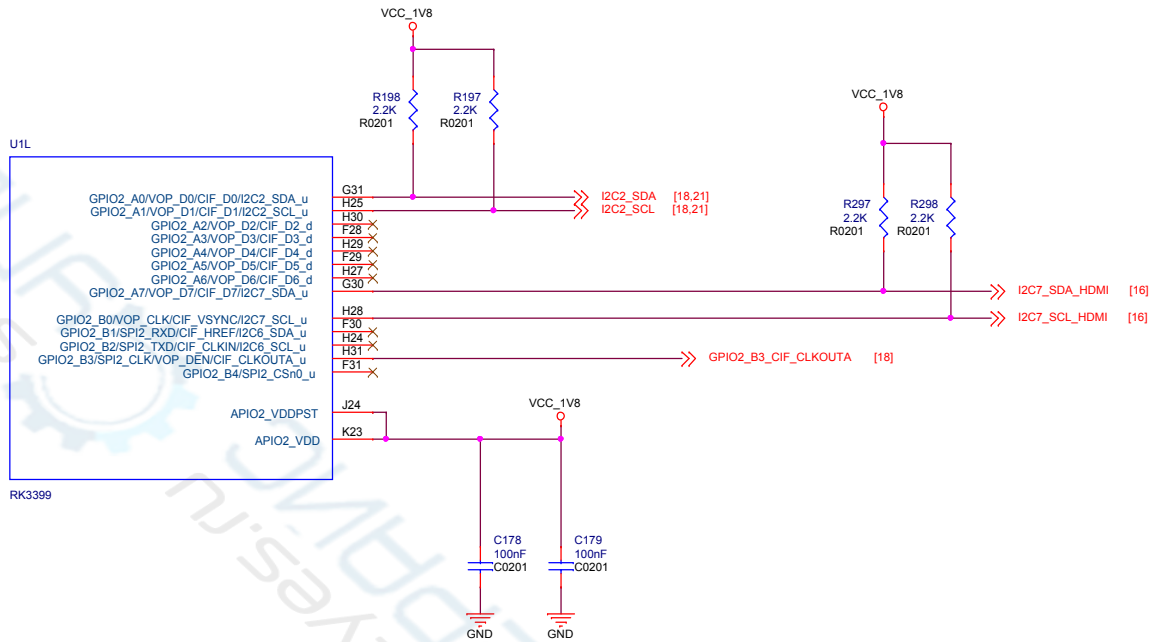
RK3399

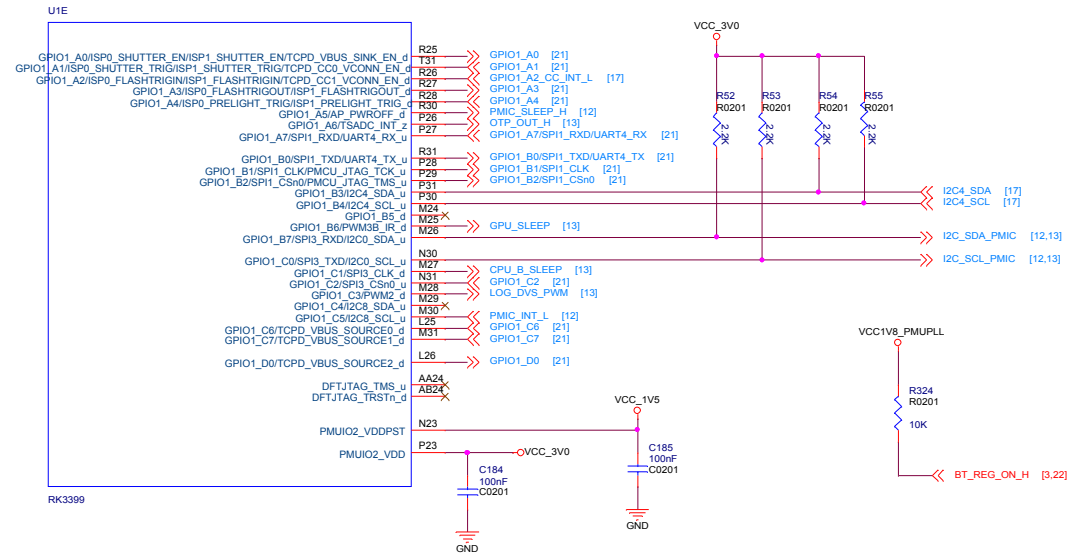
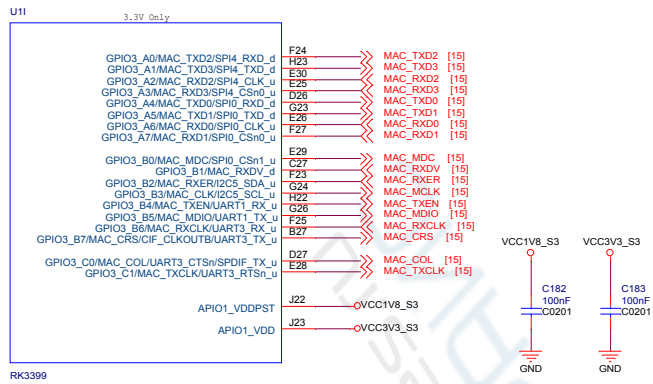


RK3399

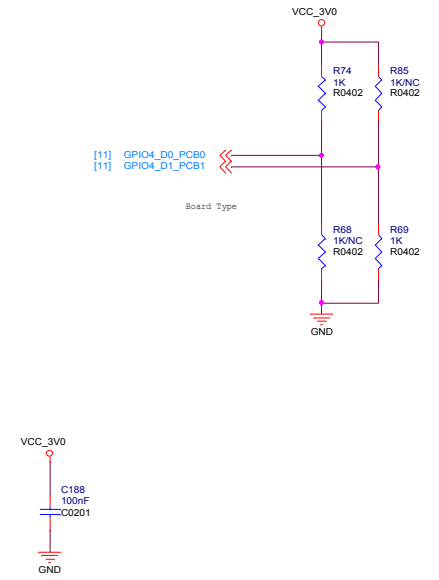
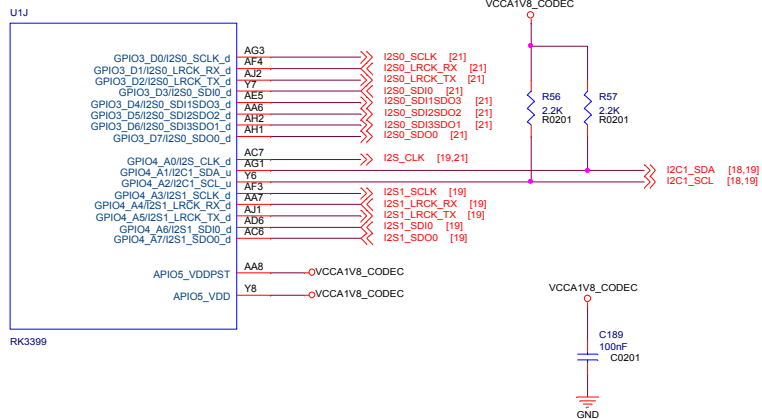
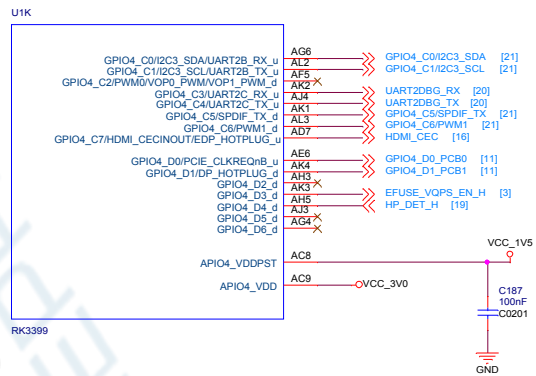
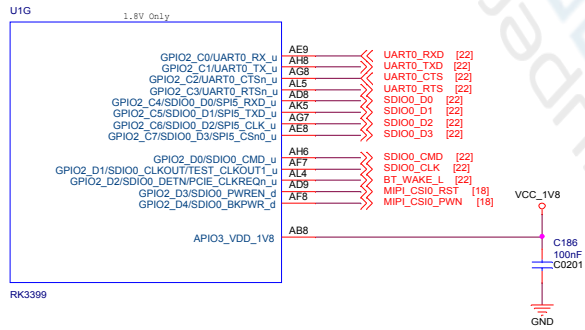


NanoPi M4		
Size A3	Document Number 09.RK3399 USB/USIC Controller	Rev Ver2.0 1908
Date: Tuesday, September 10, 2019	Sheet 9	of 25

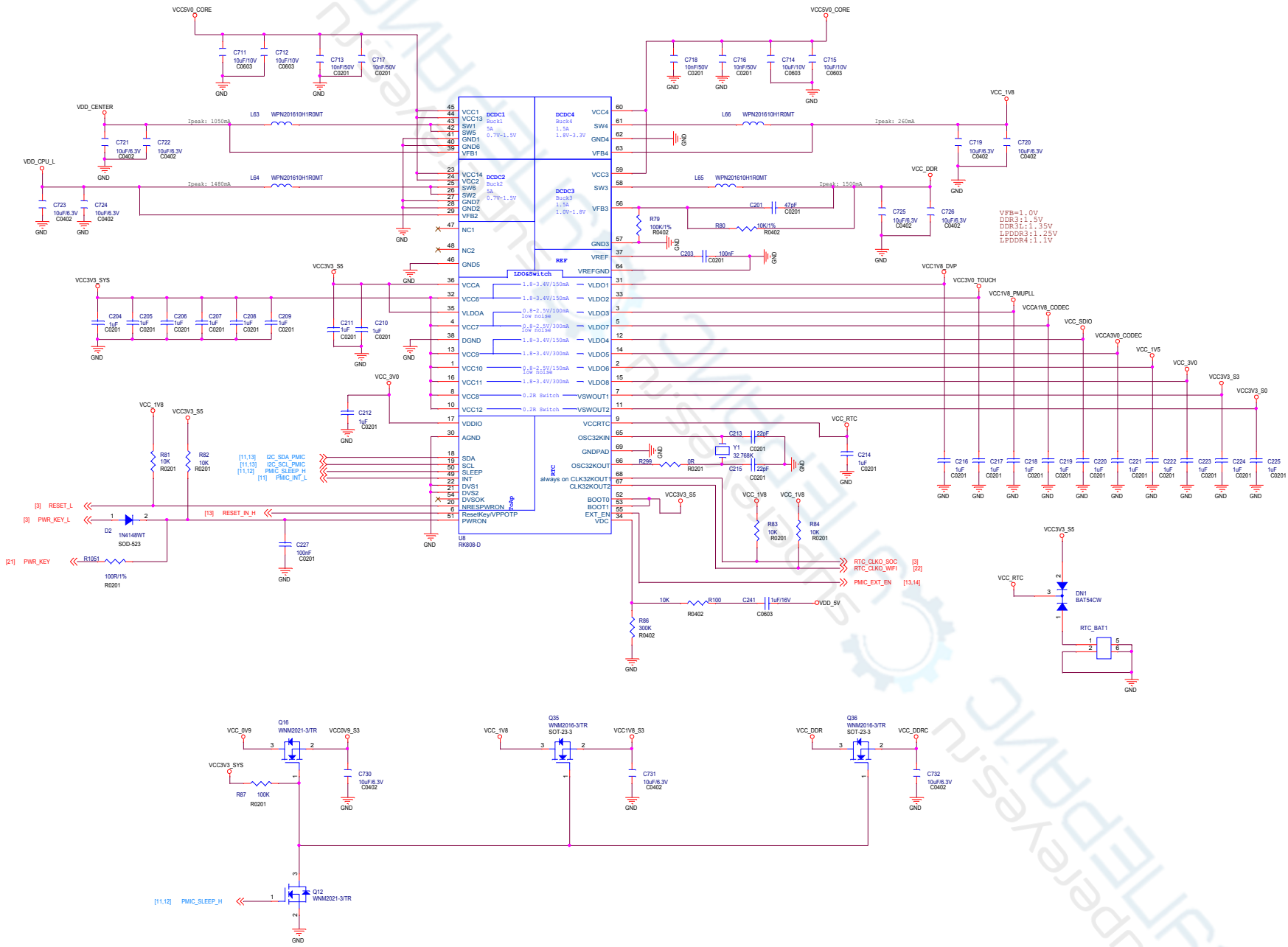


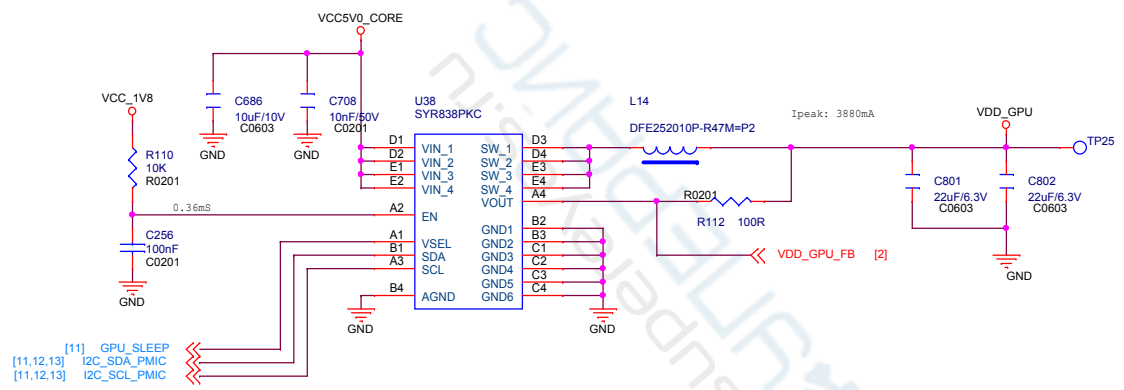


1.8V Only	VDDPST=VDDIO=1.8V
3.3V Only	VDDPST=1.8V, VDDIO=3.3V
other	3.0V mode: VDDPST=1.5V, VDDIO=3.3V 1.8V mode: VDDPST=1.8V, VDDIO=1.8V

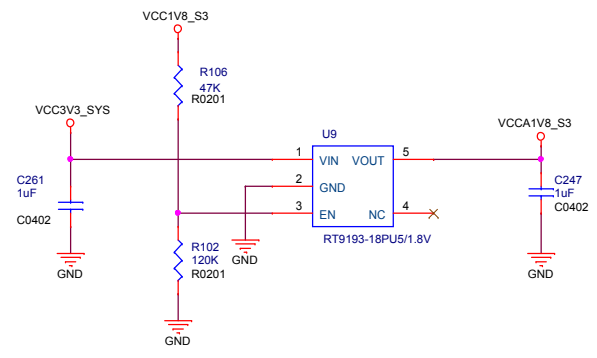
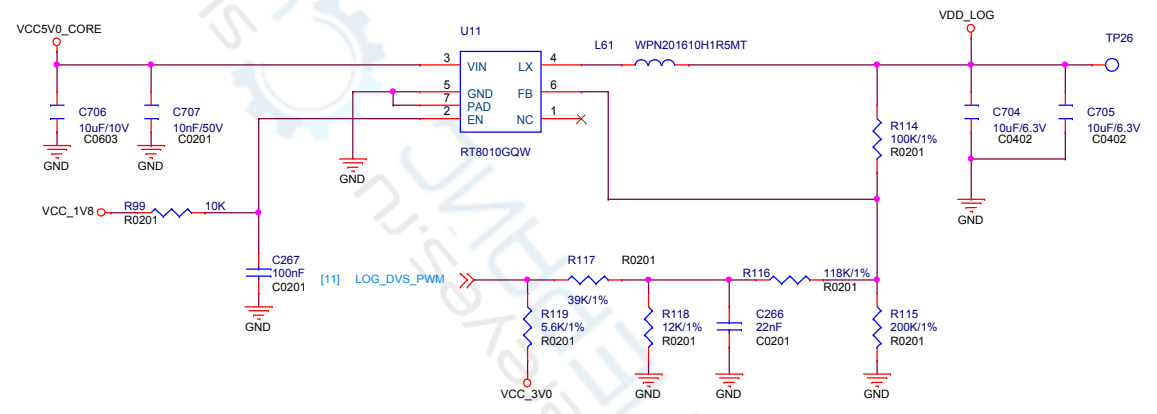
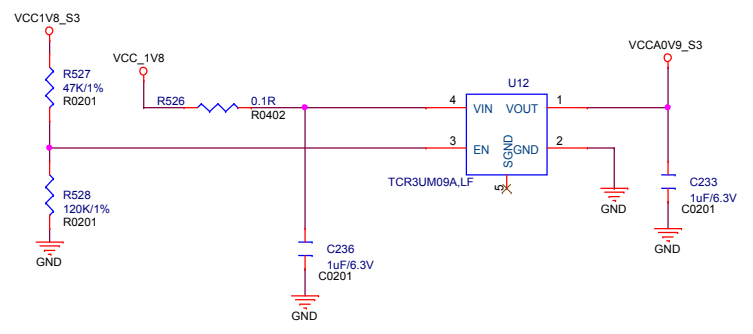
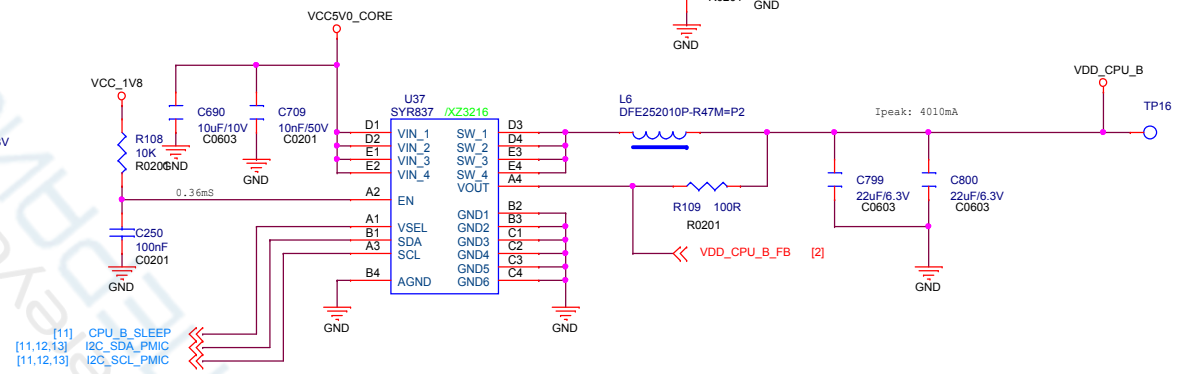
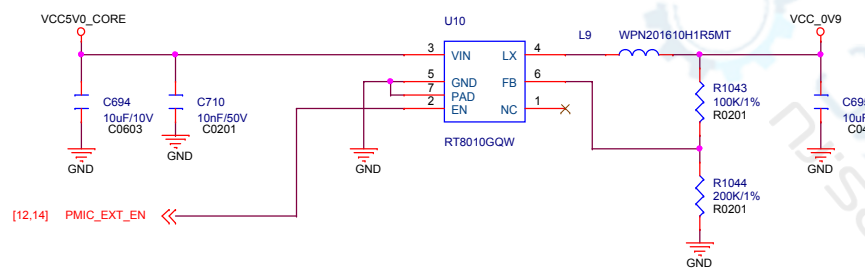
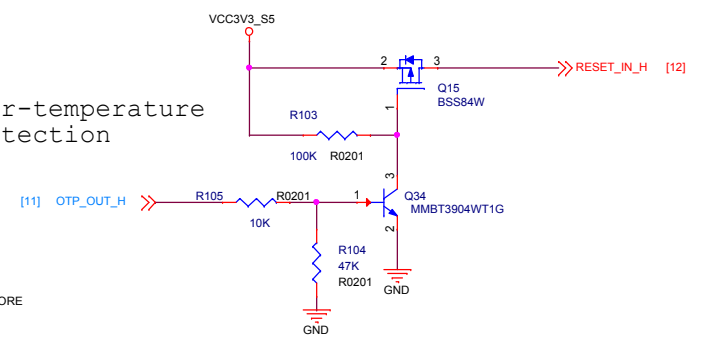


PMIC RK808



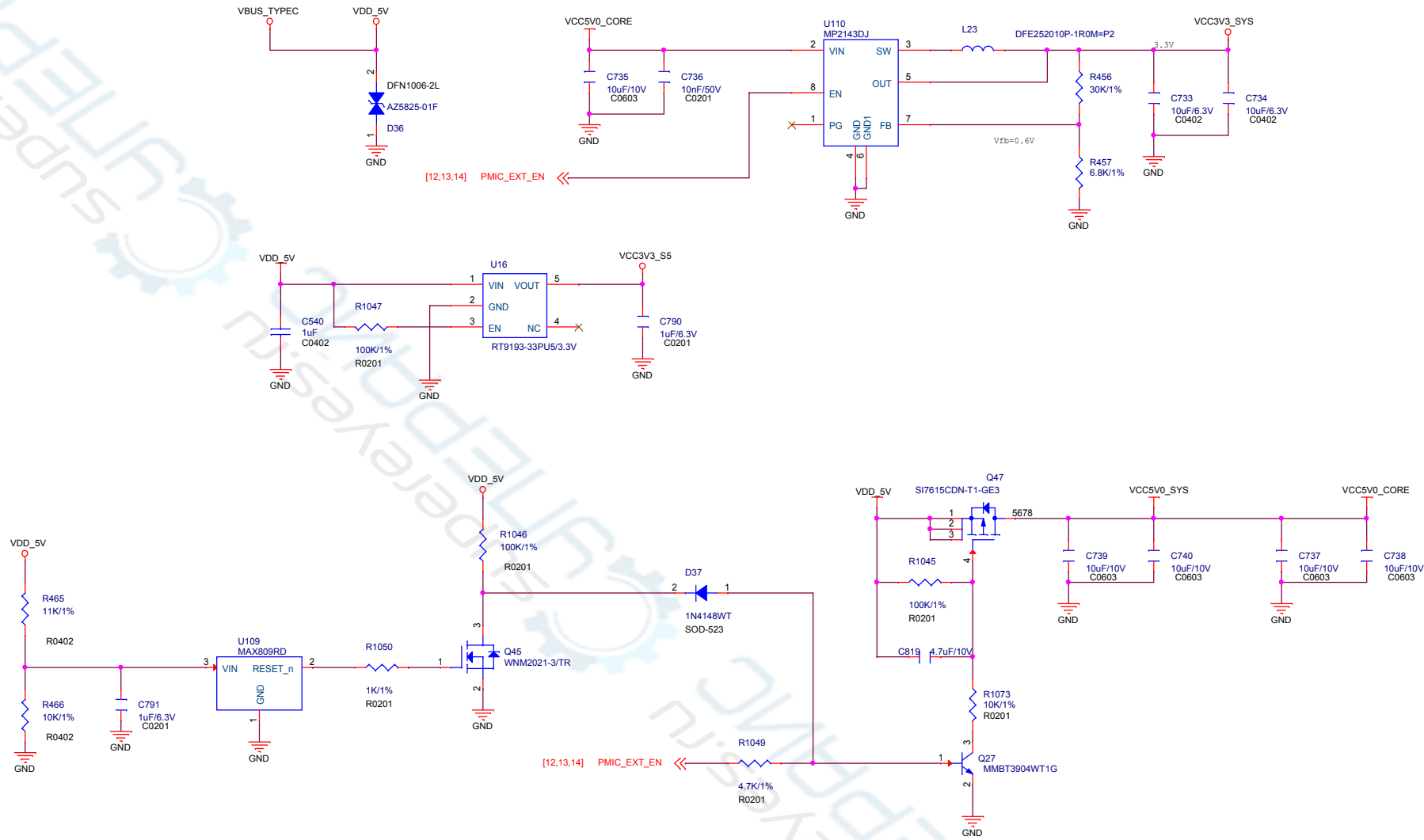


Over-temperature Protection

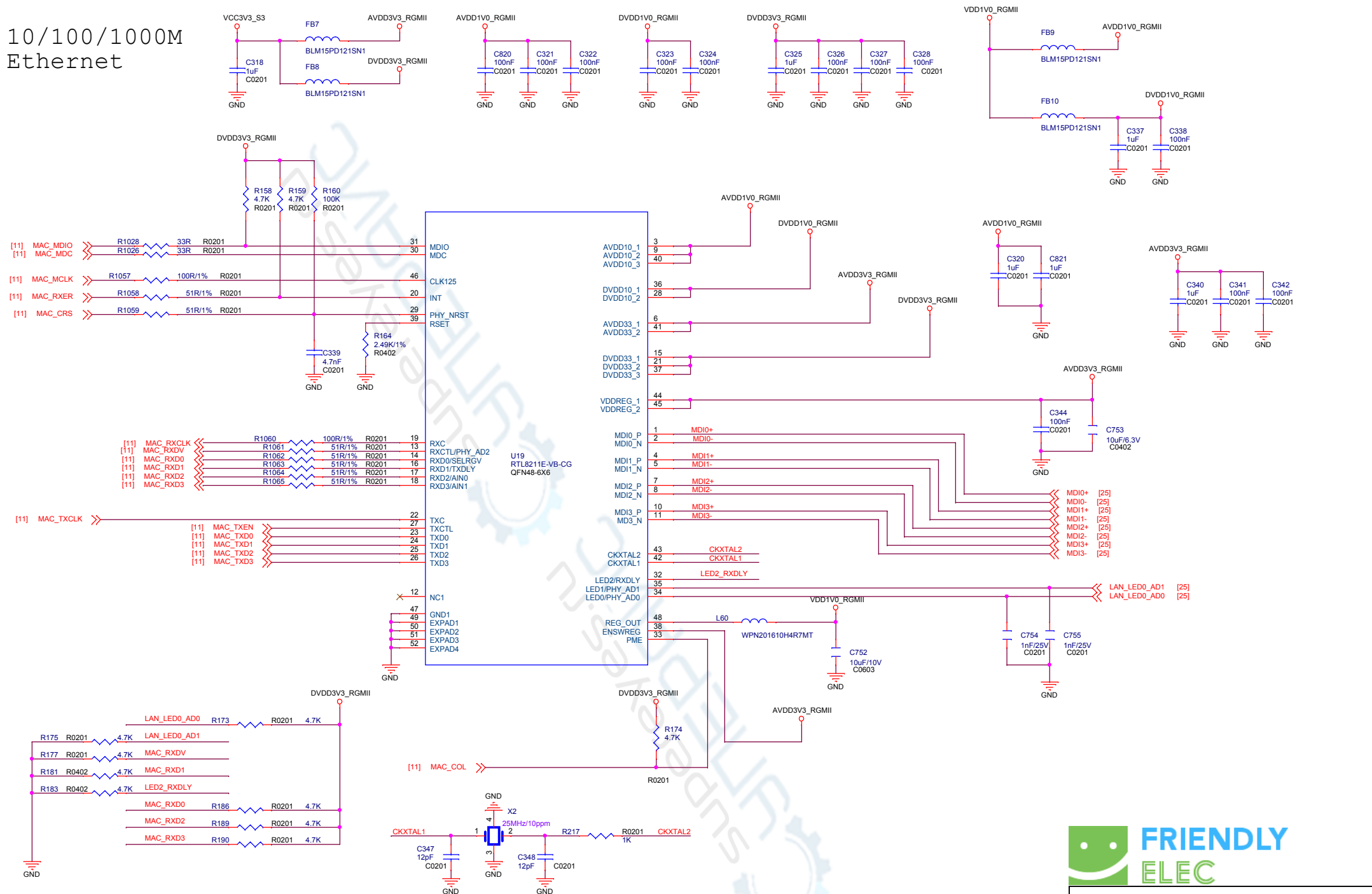


NanoPi M4		
Size A3	Document Number 13.Power2-CPU/GPU/etc	Rev Ver2.0 1908
Date: Tuesday, September 10, 2019	Sheet 13 of 25	

Power Supply

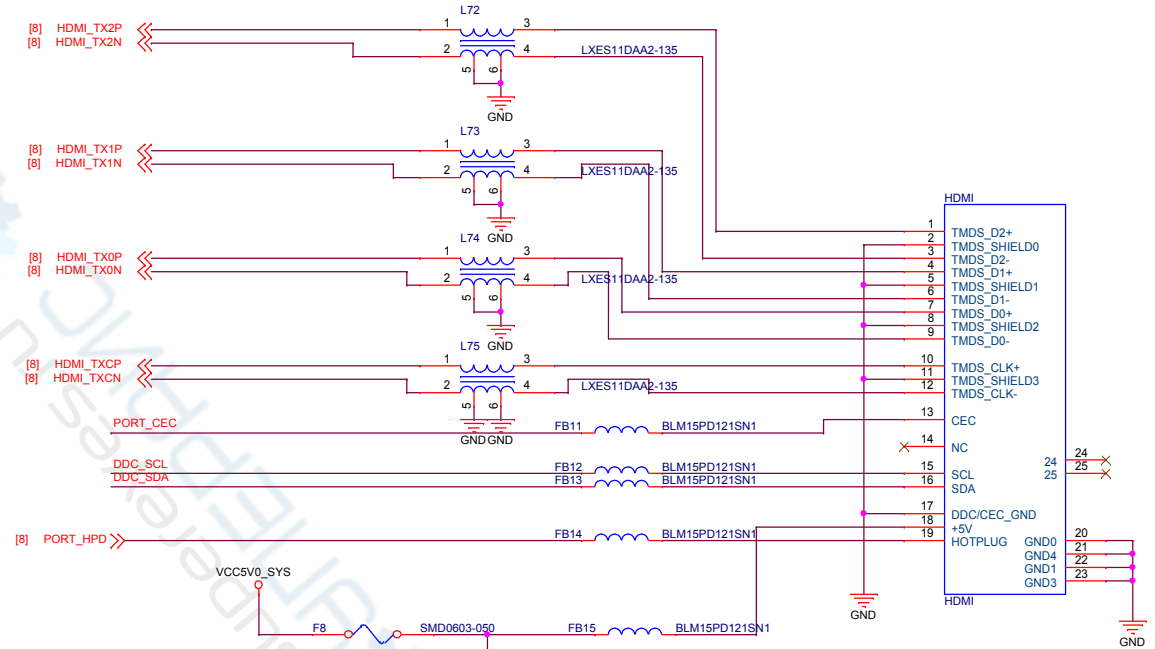
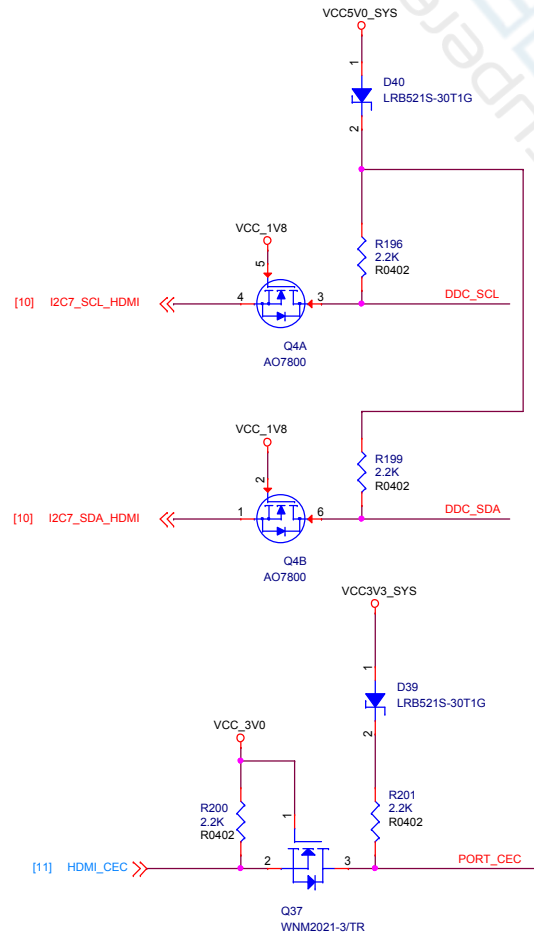


10/100/1000M Ethernet

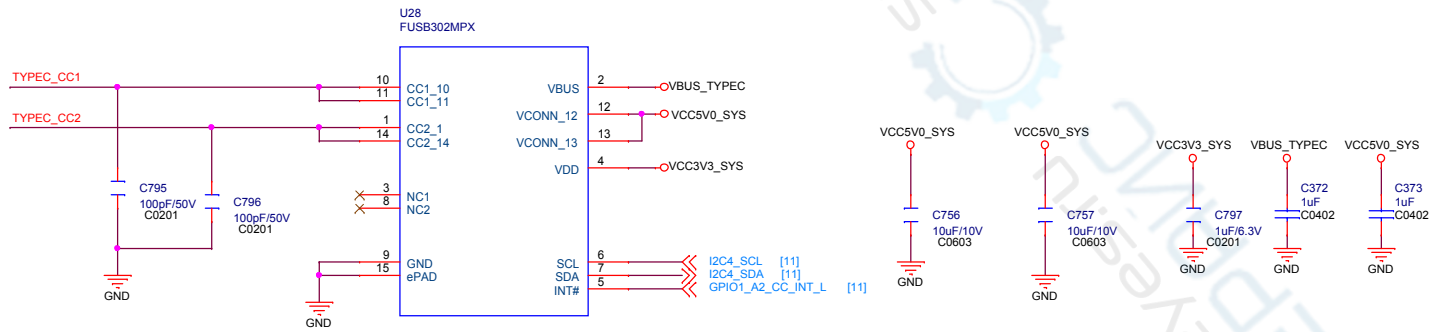
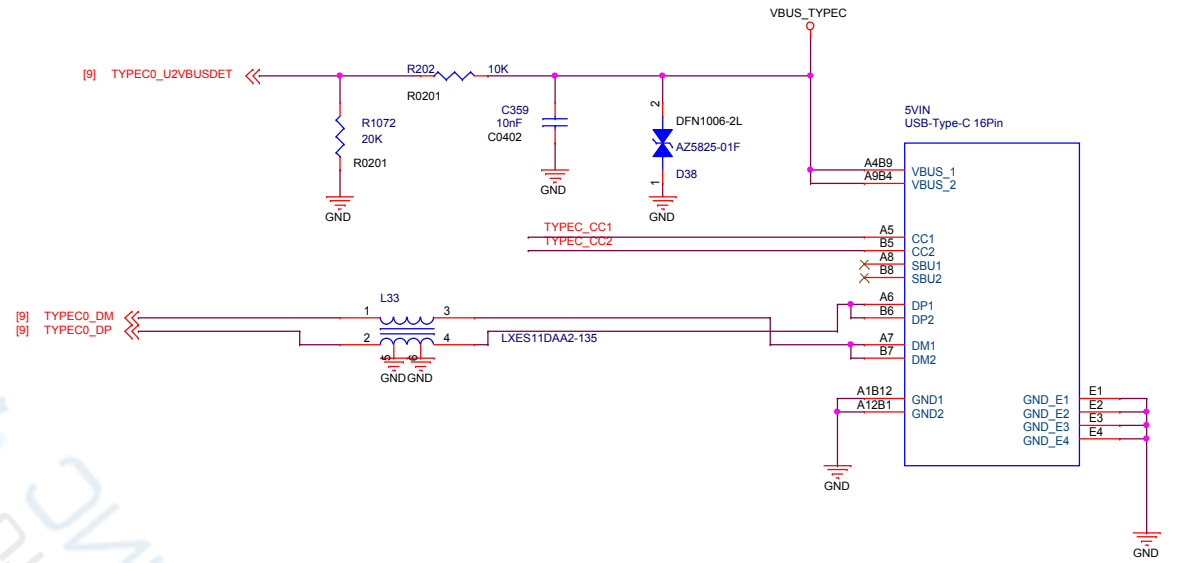


NanoPi M4		
Size A3	Document Number 15.RGMII-10/100/1000M	Rev Ver2.0 1908
Date: Monday, January 13, 2020	Sheet 15	of 25

HDMI Port

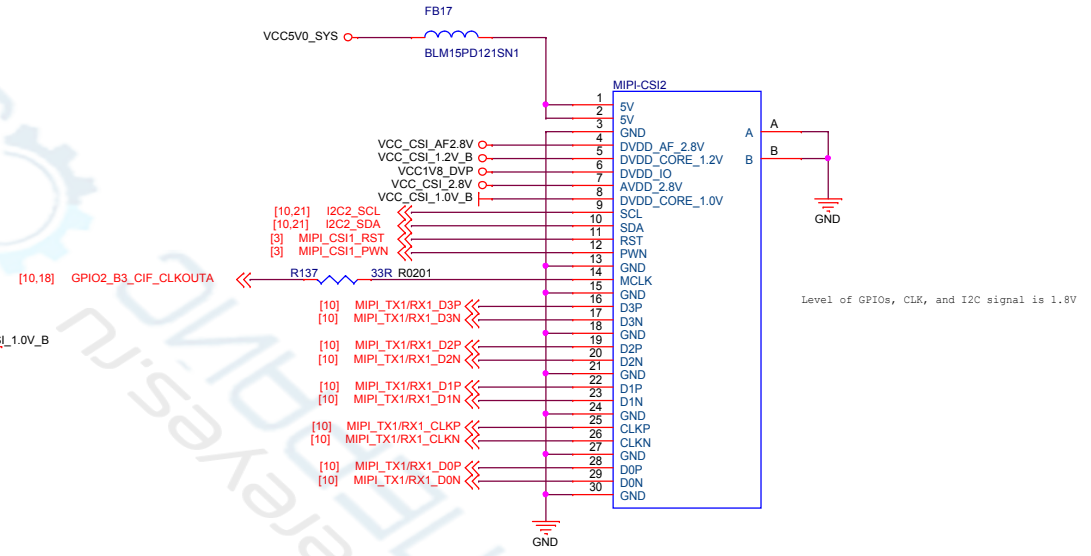
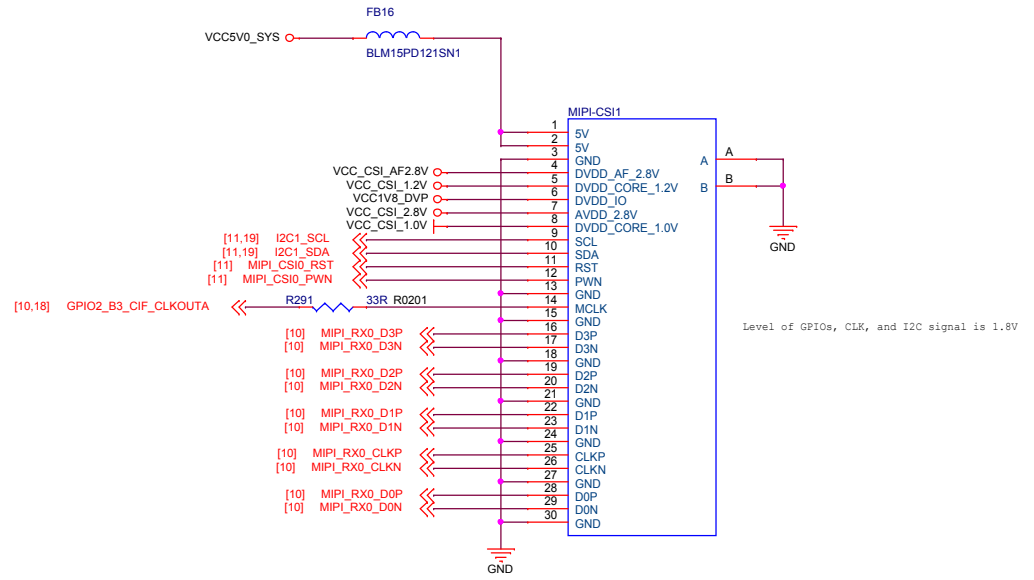
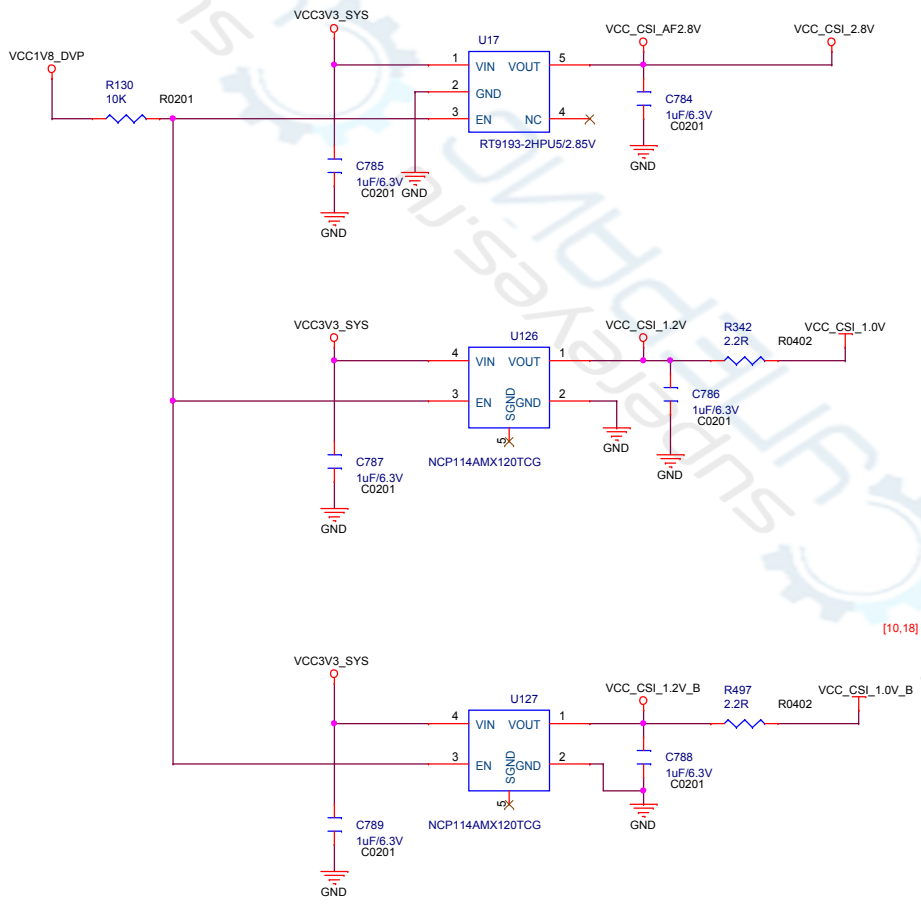


USB Type-C

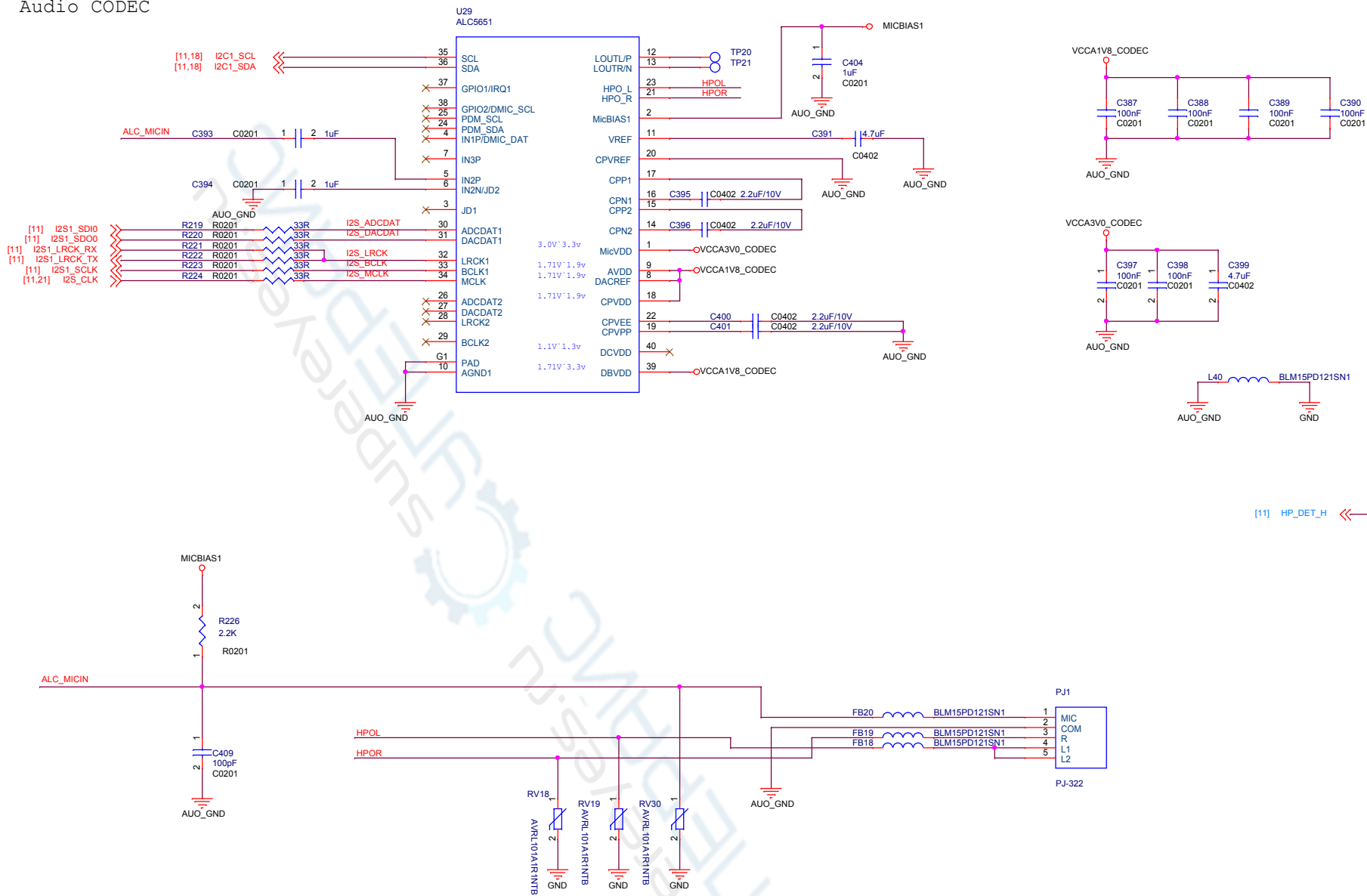


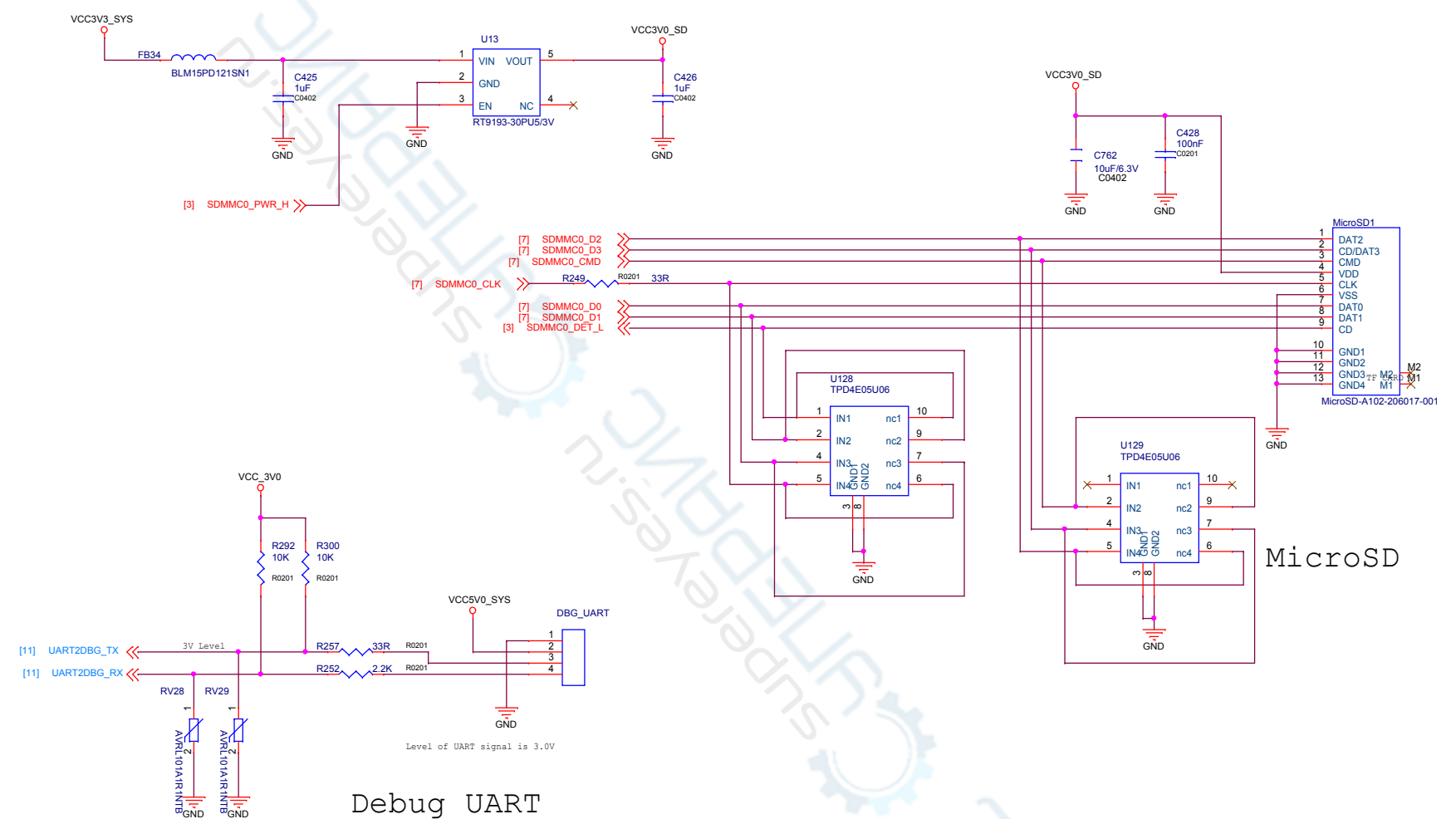
NanoPi M4		
Size A3	Document Number 17.USB Type-C	Rev Ver2.0 1908
Date: Tuesday, September 10, 2019	Sheet 17	of 25

MIPI-CSI



Audio CODEC

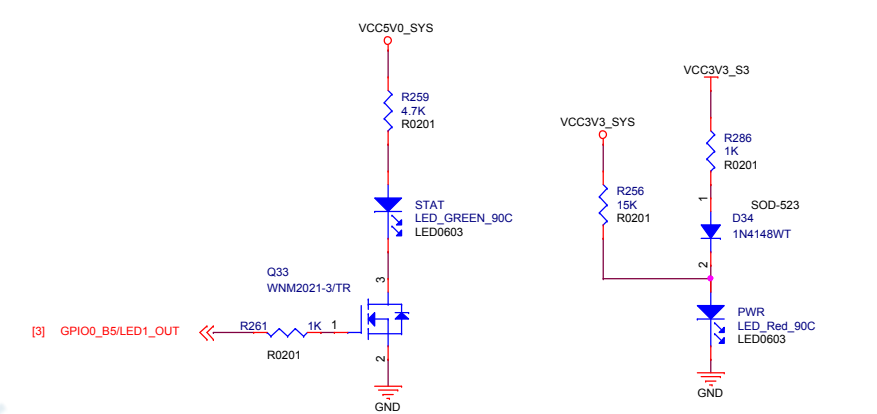
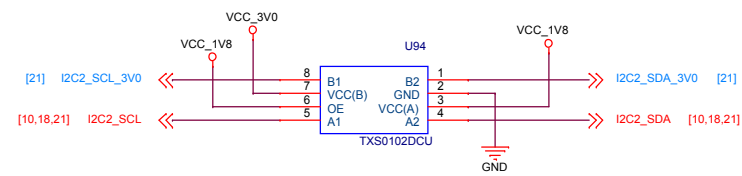
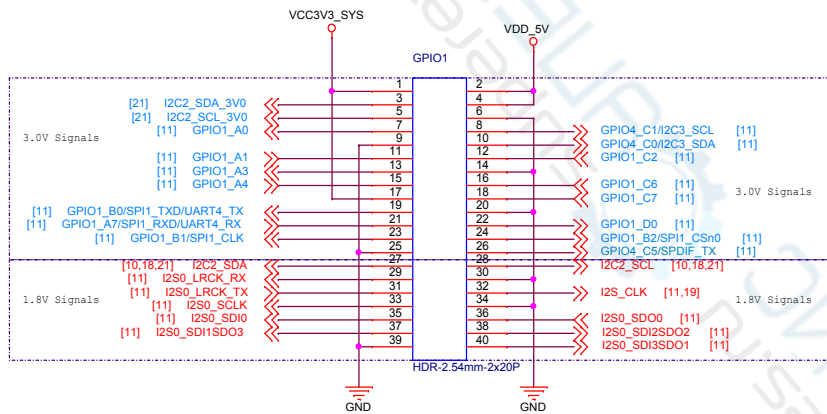




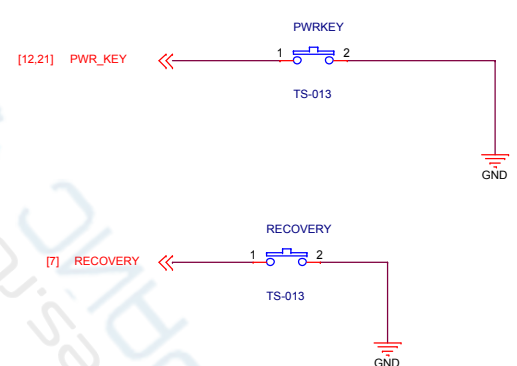
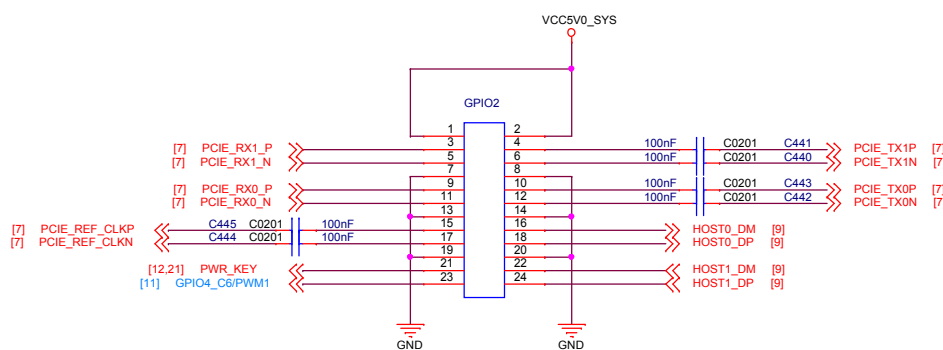
Debug UART



GPIO

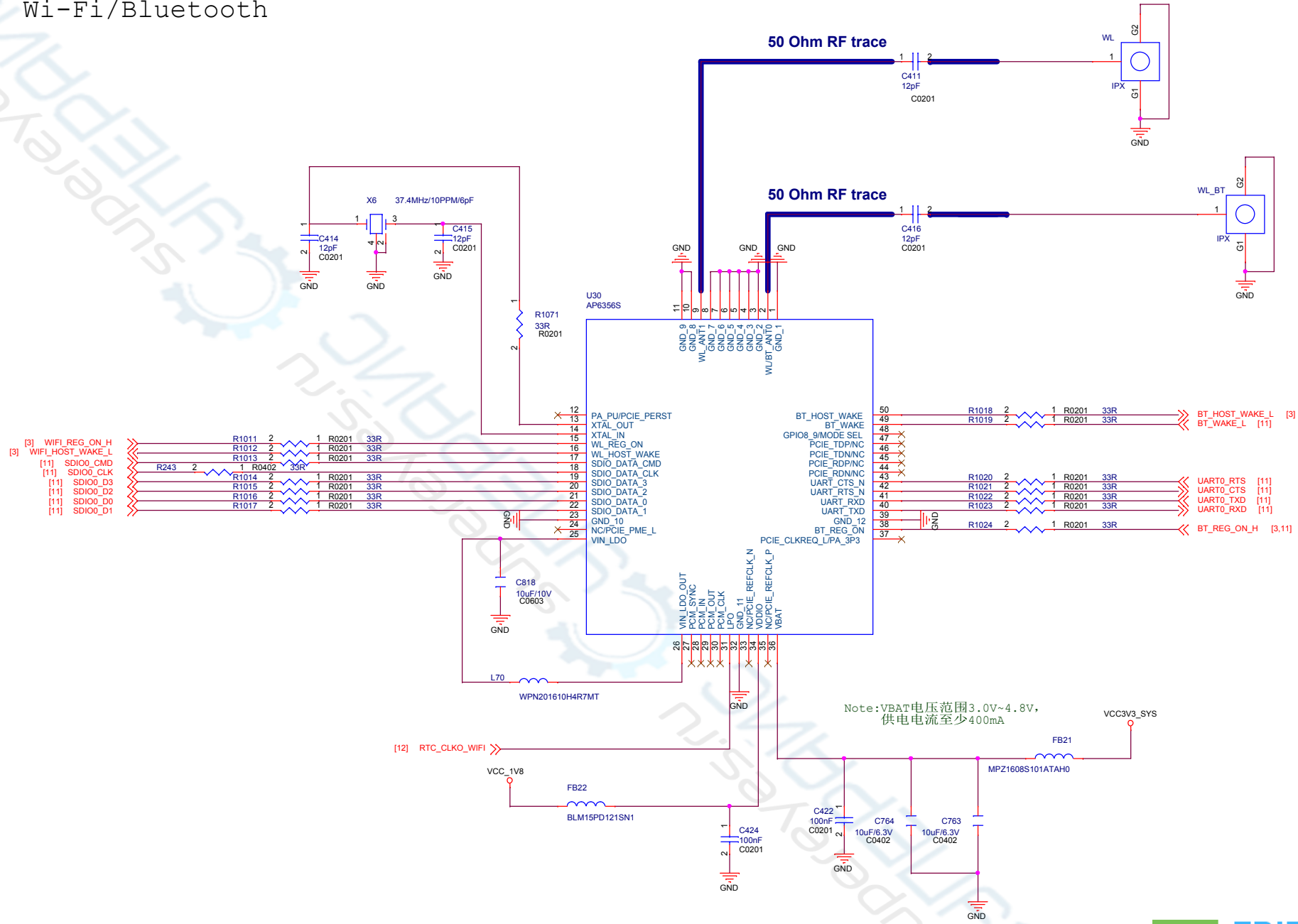


PCIe, USB

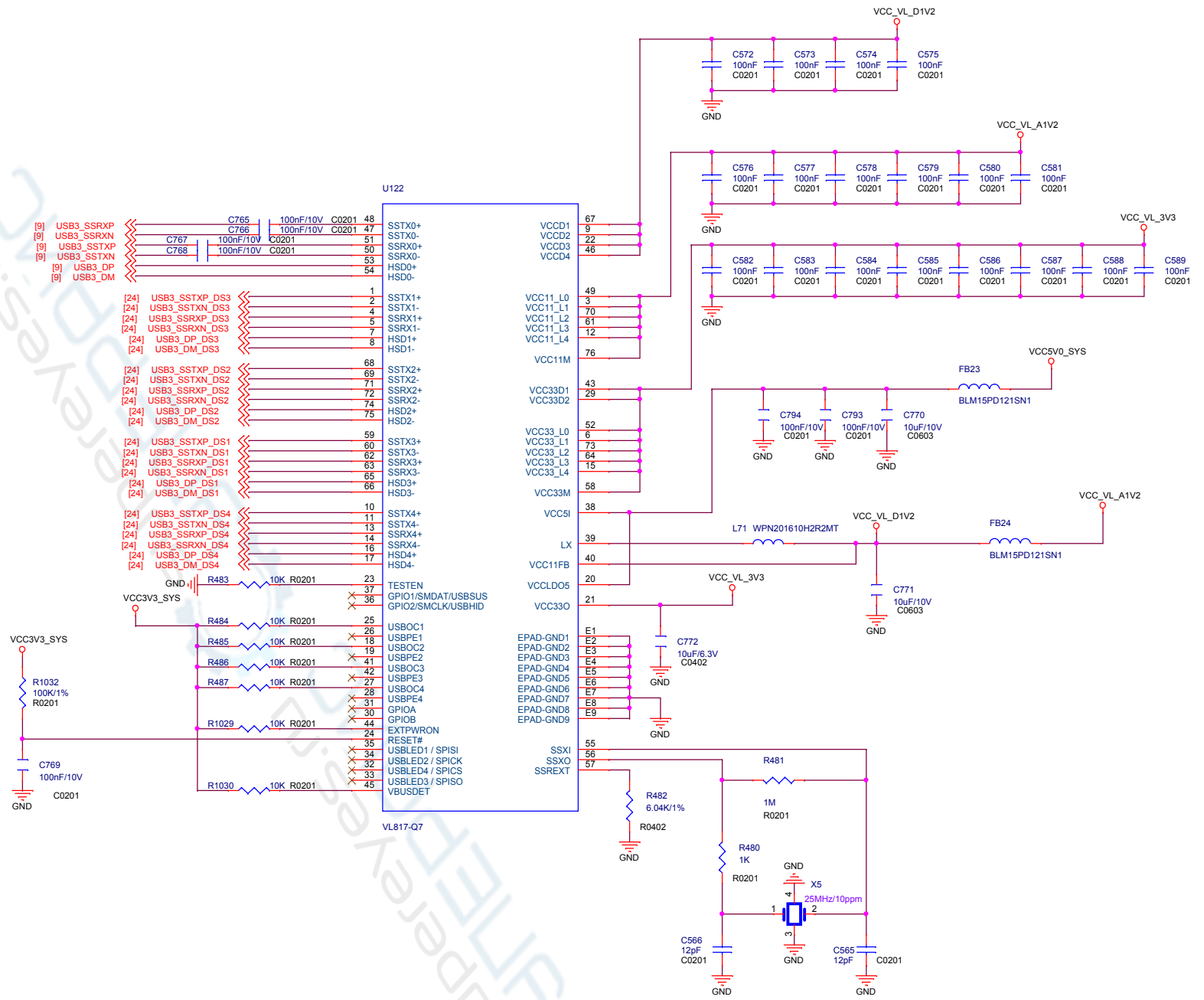


NanoPi M4		
Size A3	Document Number 21.GPIO/LED	Rev Ver2.0 1908
Date: Tuesday, September 10, 2019	Sheet 21	of 25

Wi-Fi/Bluetooth



USB3.0 Hub



USB3.0 Host

