

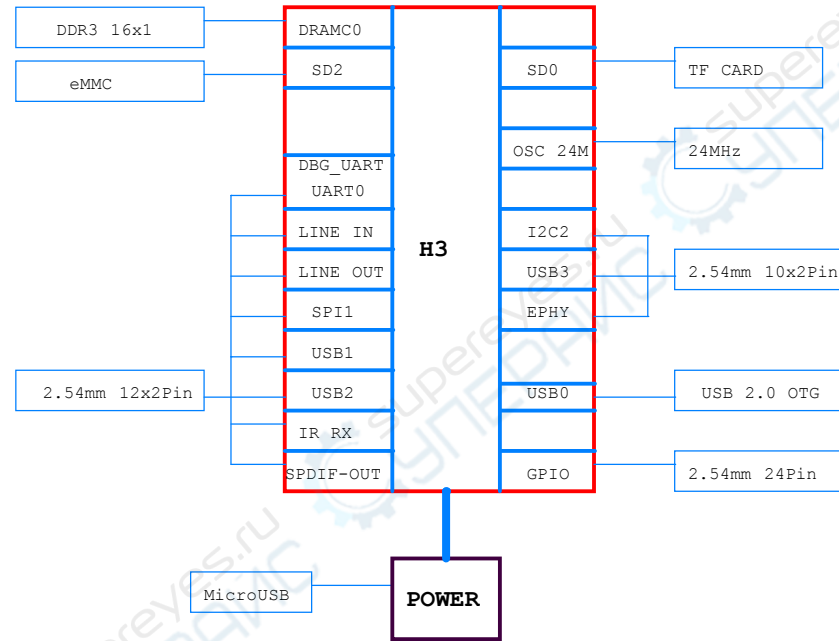
NanoPi NEO Core

Revision
1705 , First Release

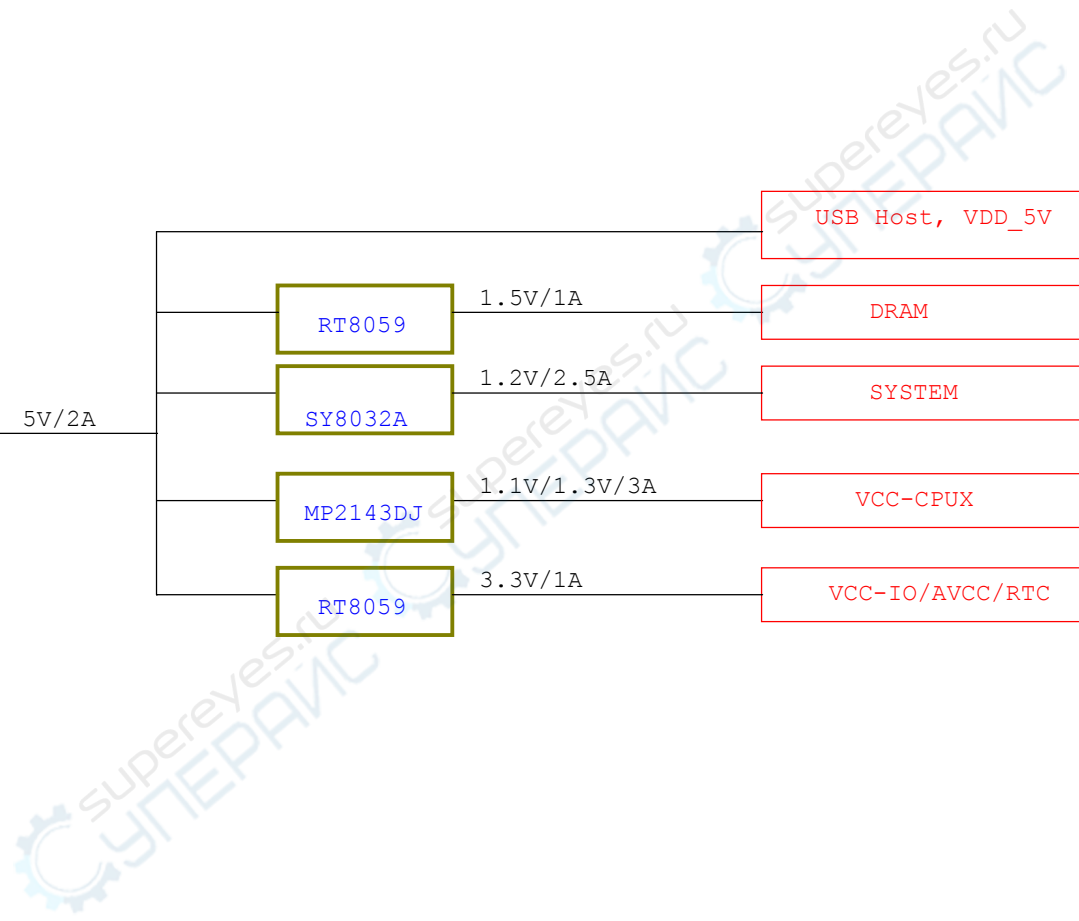
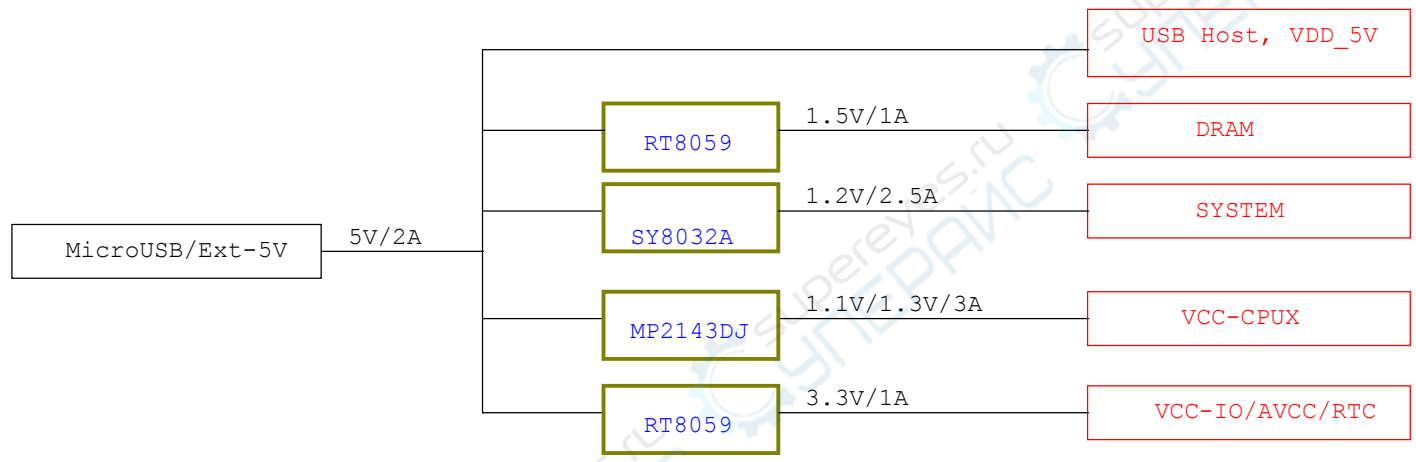


NanoPi NEO Core		
Size A3	Document Number Title	Rev 1802
Date:	Wednesday, March 14, 2018	Sheet 1 of 11

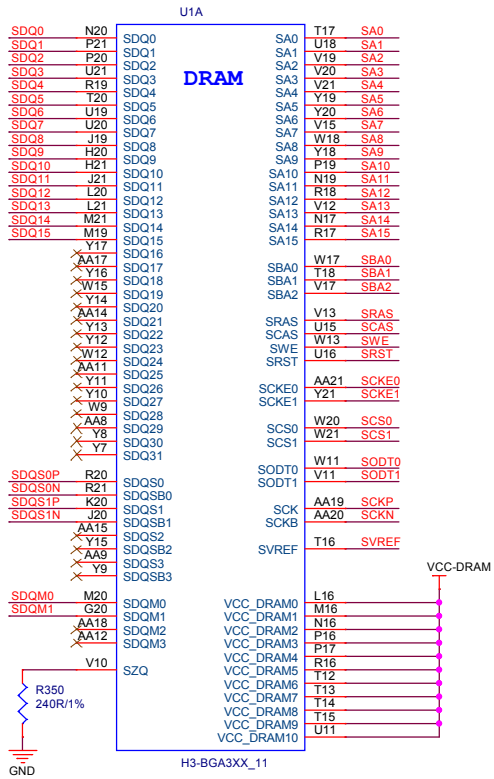
BLOCK



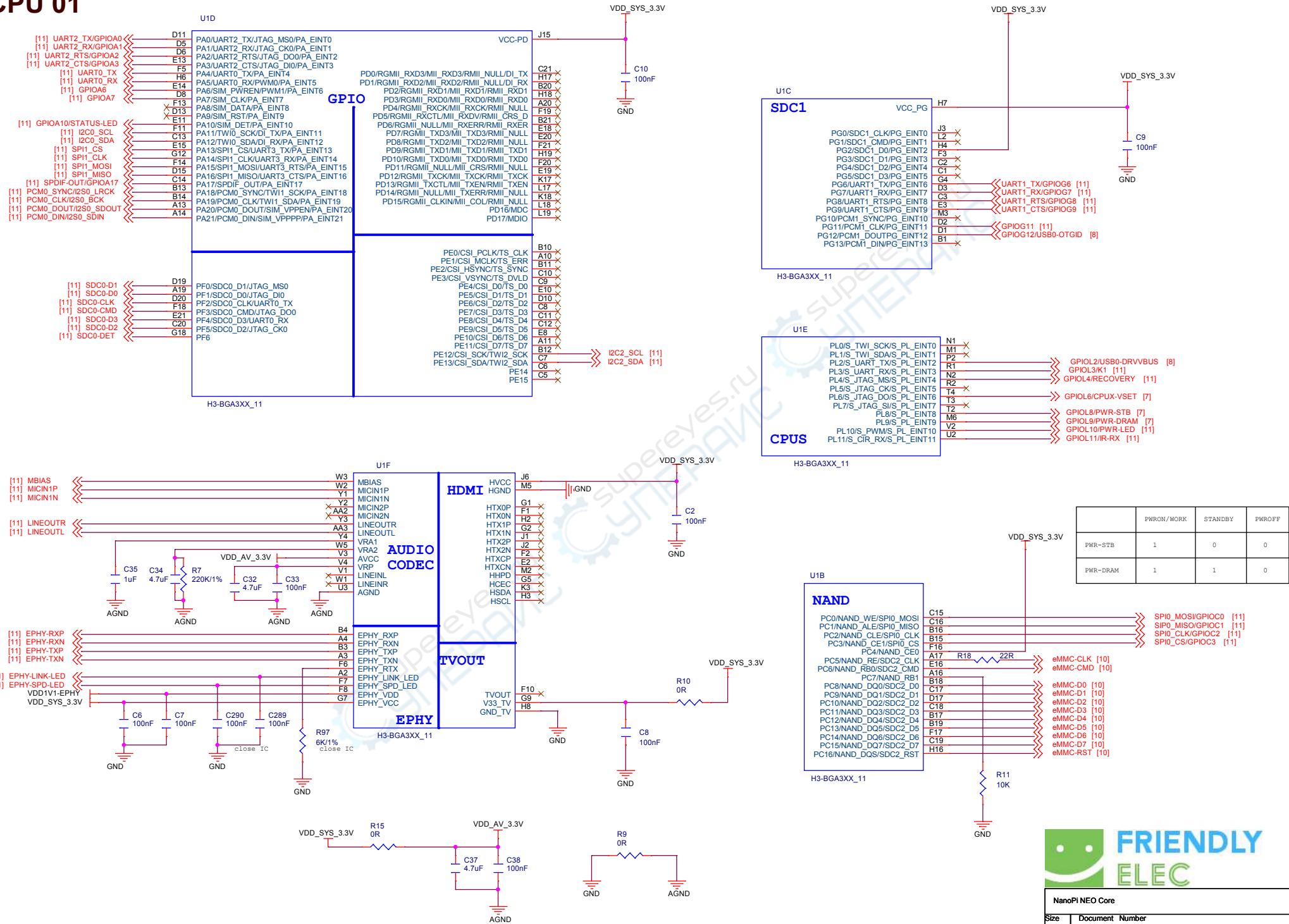
POWER TREE



DDR3 16x1



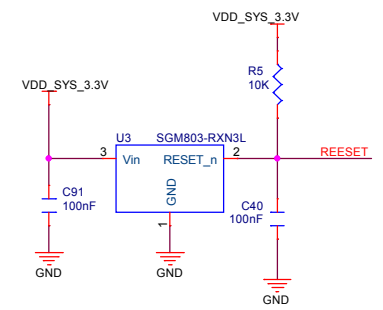
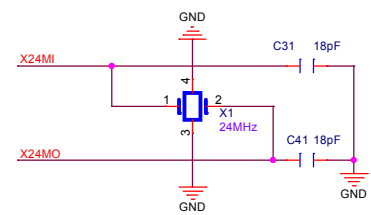
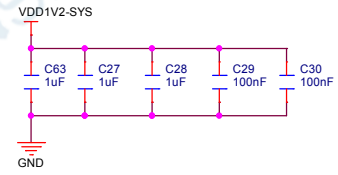
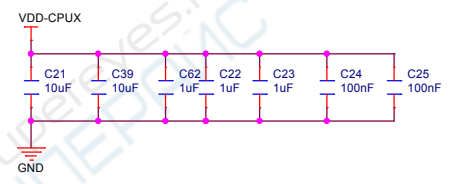
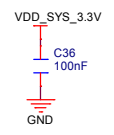
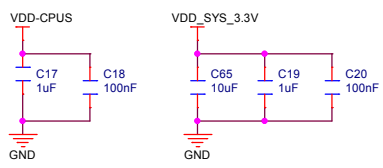
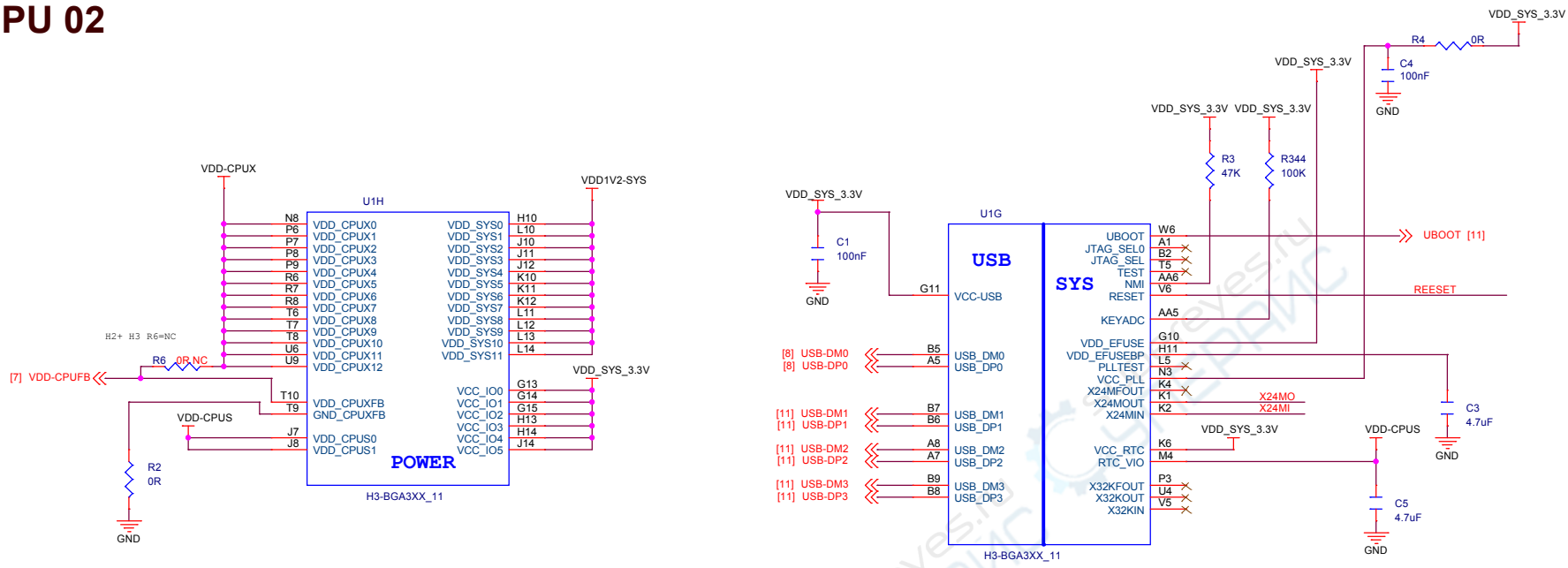
CPU 01



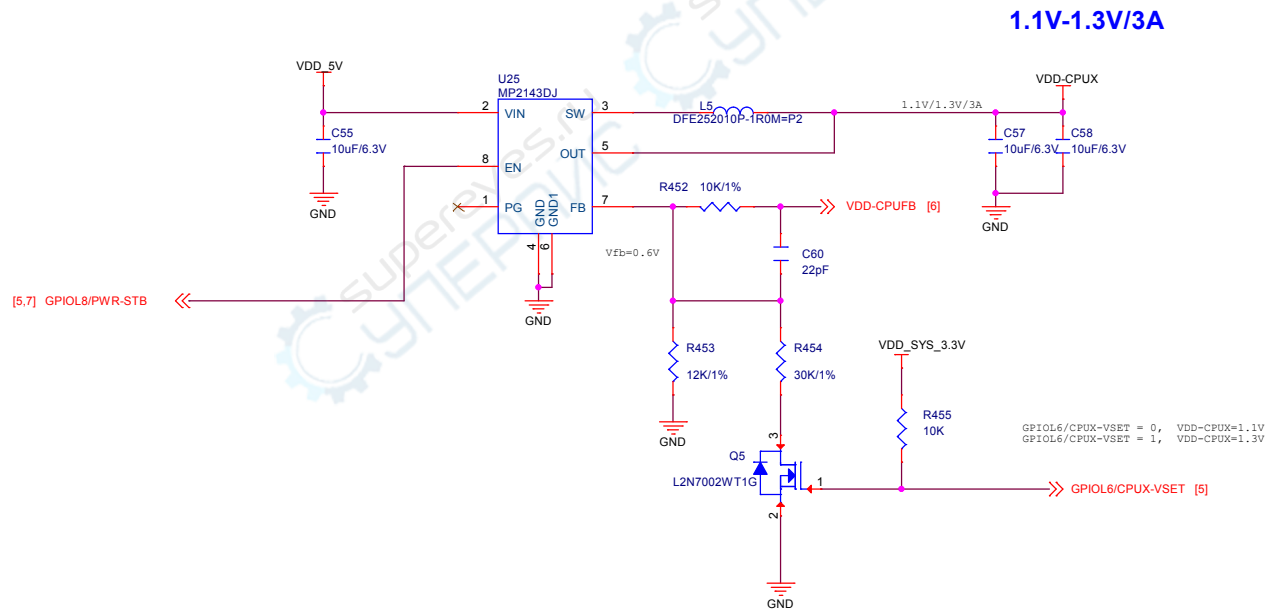
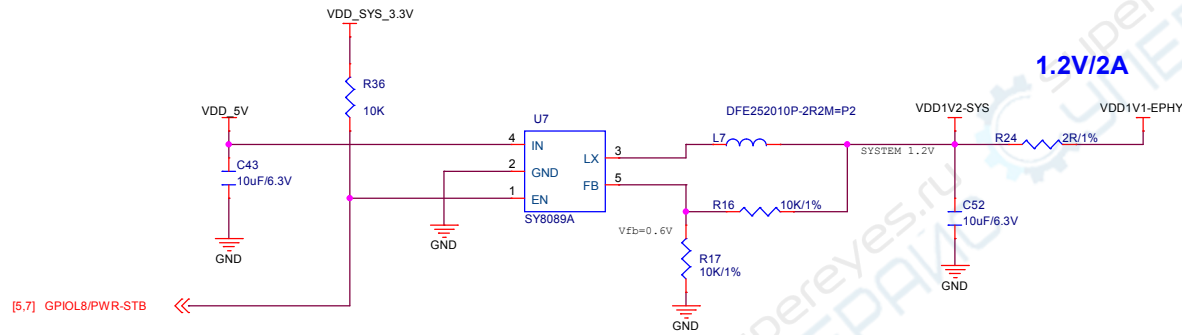
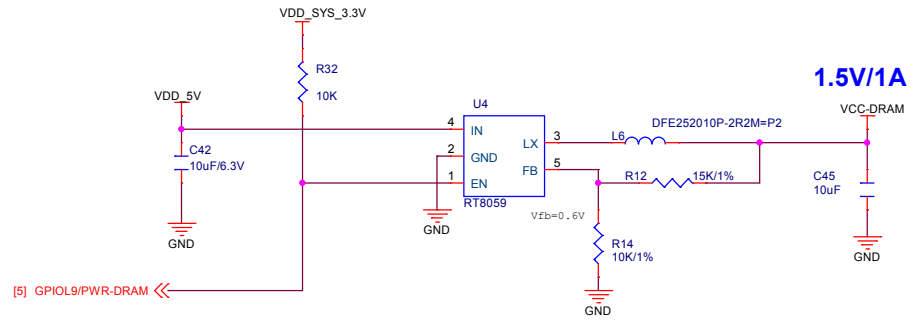
	PWRON / WORK	STANDBY	PWROFF
PWR-STB	1	0	0
PWR-DRAM	1	1	0



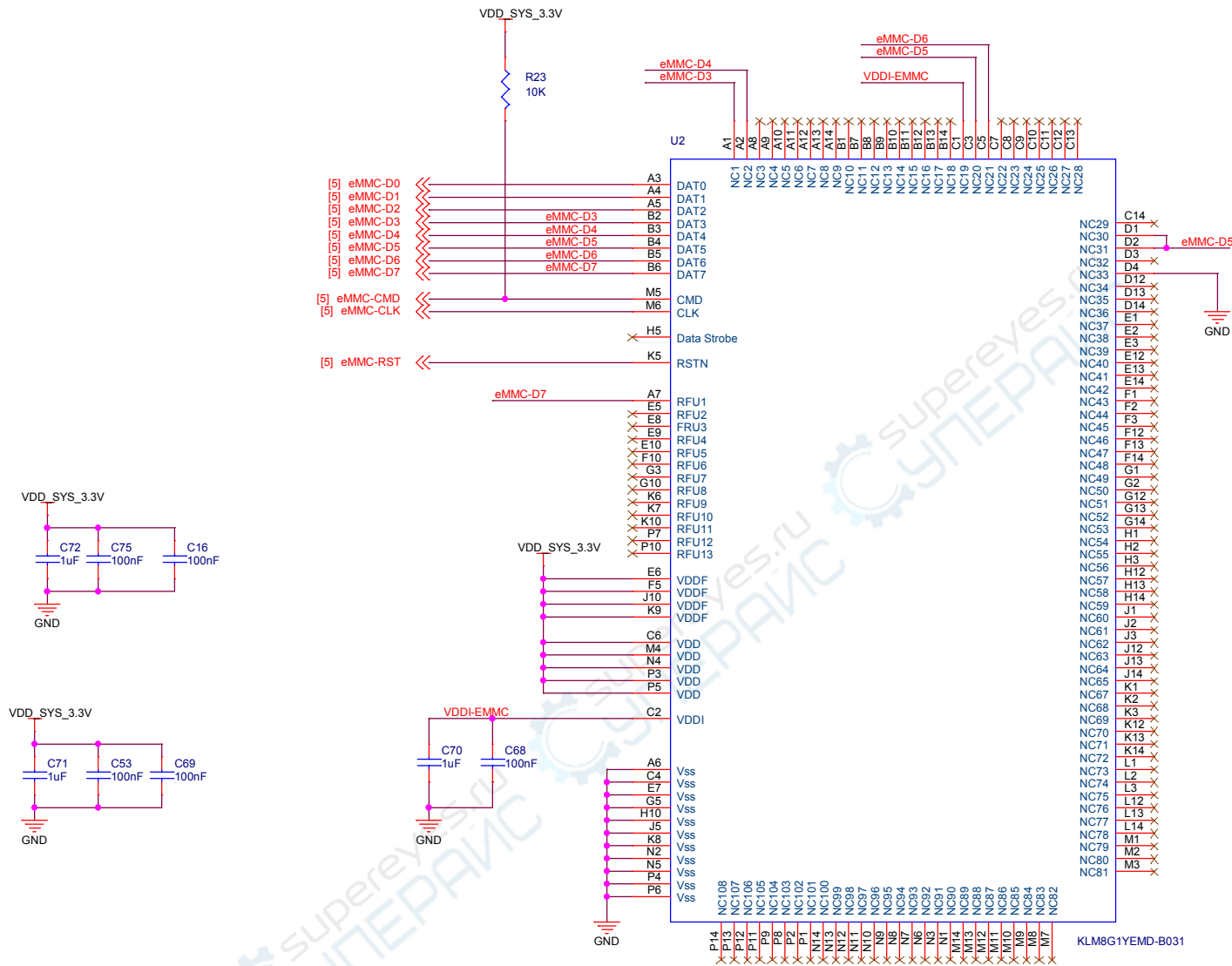
CPU 02



POWER 01



eMMC



NanoPi NEO Core		
Size B	Document Number eMMC	Rev 1802
Date:	Wednesday, March 14, 2018	Sheet 10 of 11

GPIO,Card,LEDs

