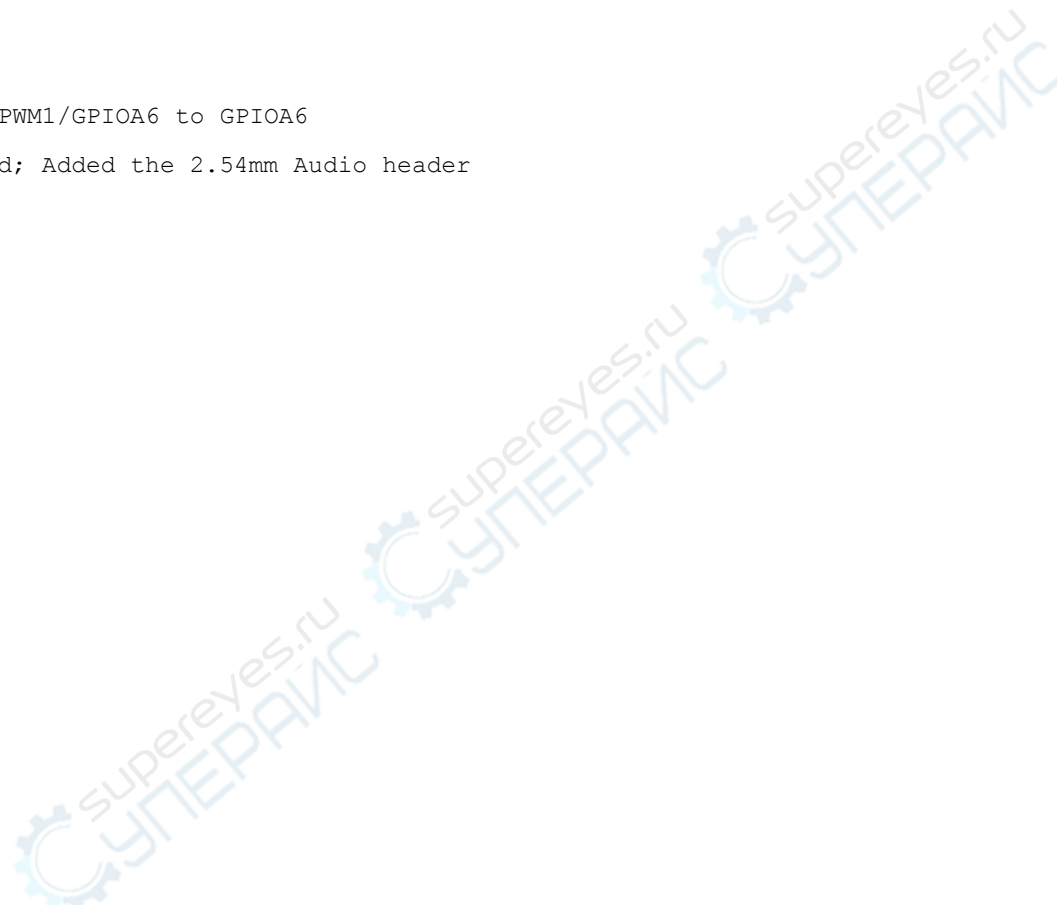


# NanoPi NEO Air

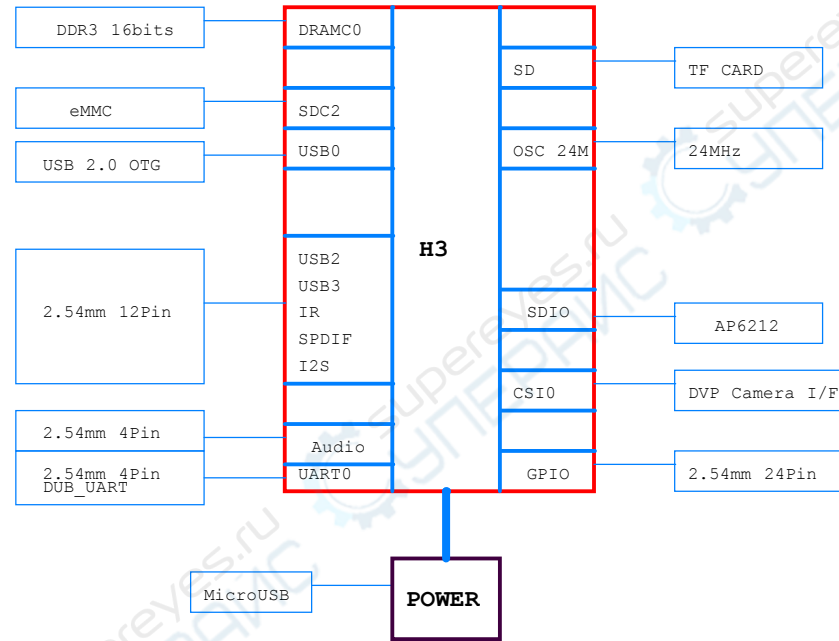
## Revision

1608 , First Release  
2017/05/18 rename net PWM1/GPIOA6 to GPIOA6  
1708,Change the TF Card; Added the 2.54mm Audio header

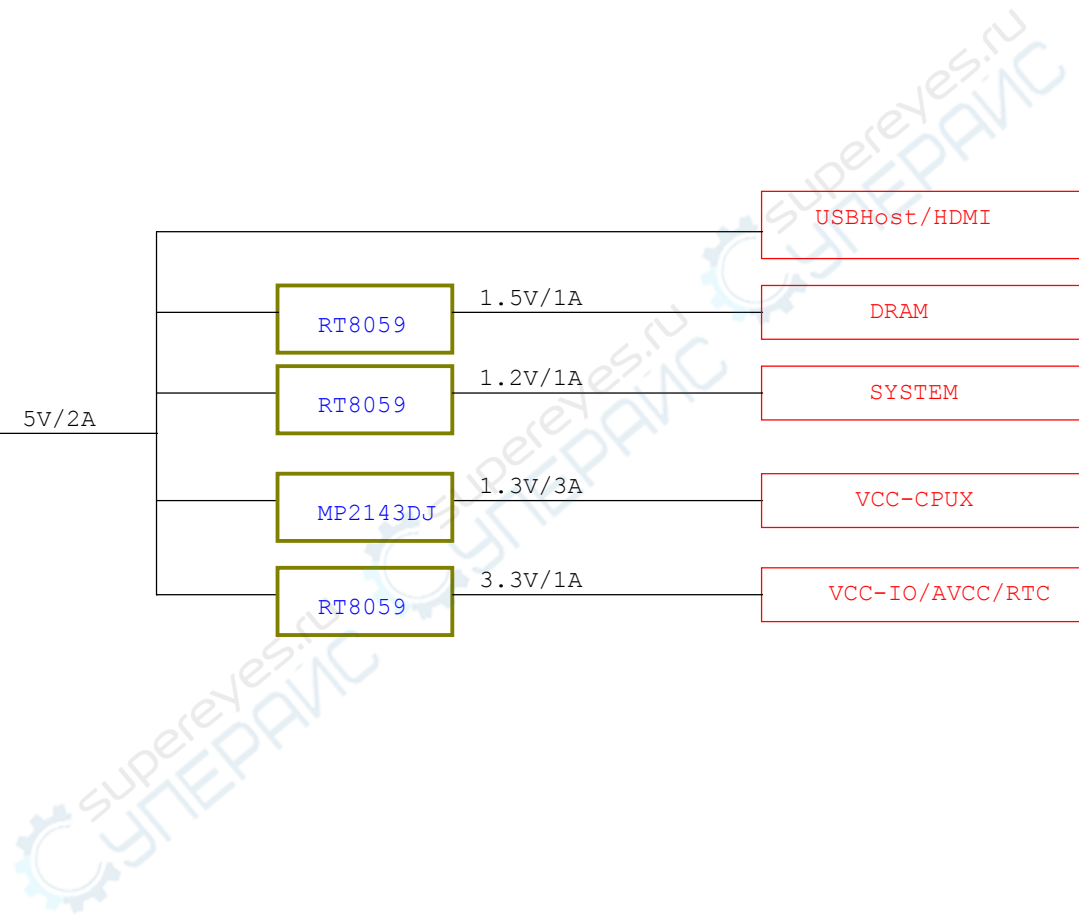
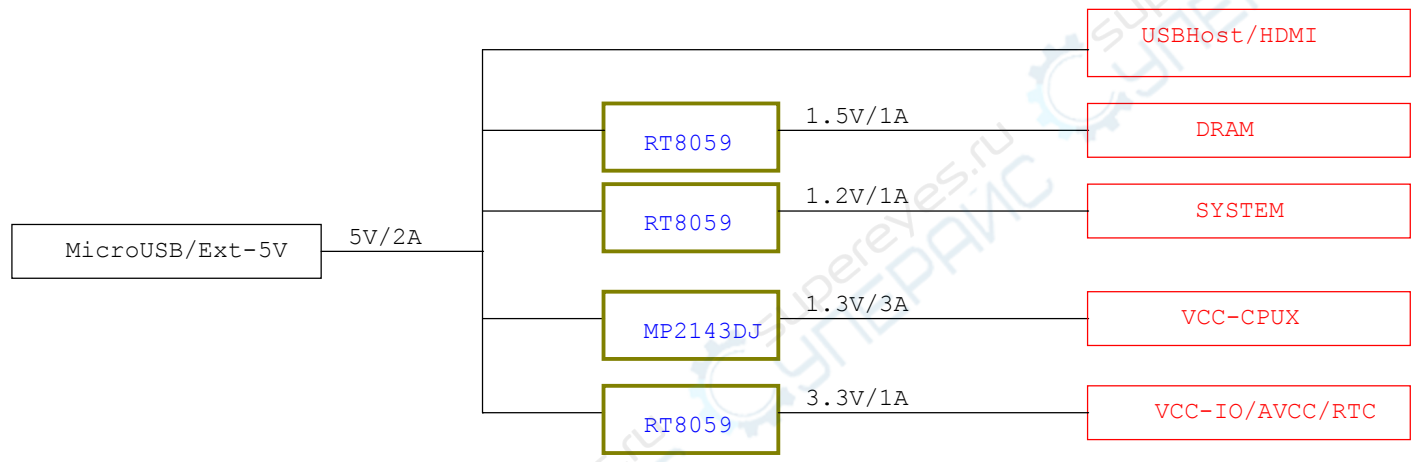


NanoPi NEO Air		
Size A3	Document Number 01:Title	Rev V1.1 1708
Date: Friday, October 13, 2017	Sheet 1	of 13

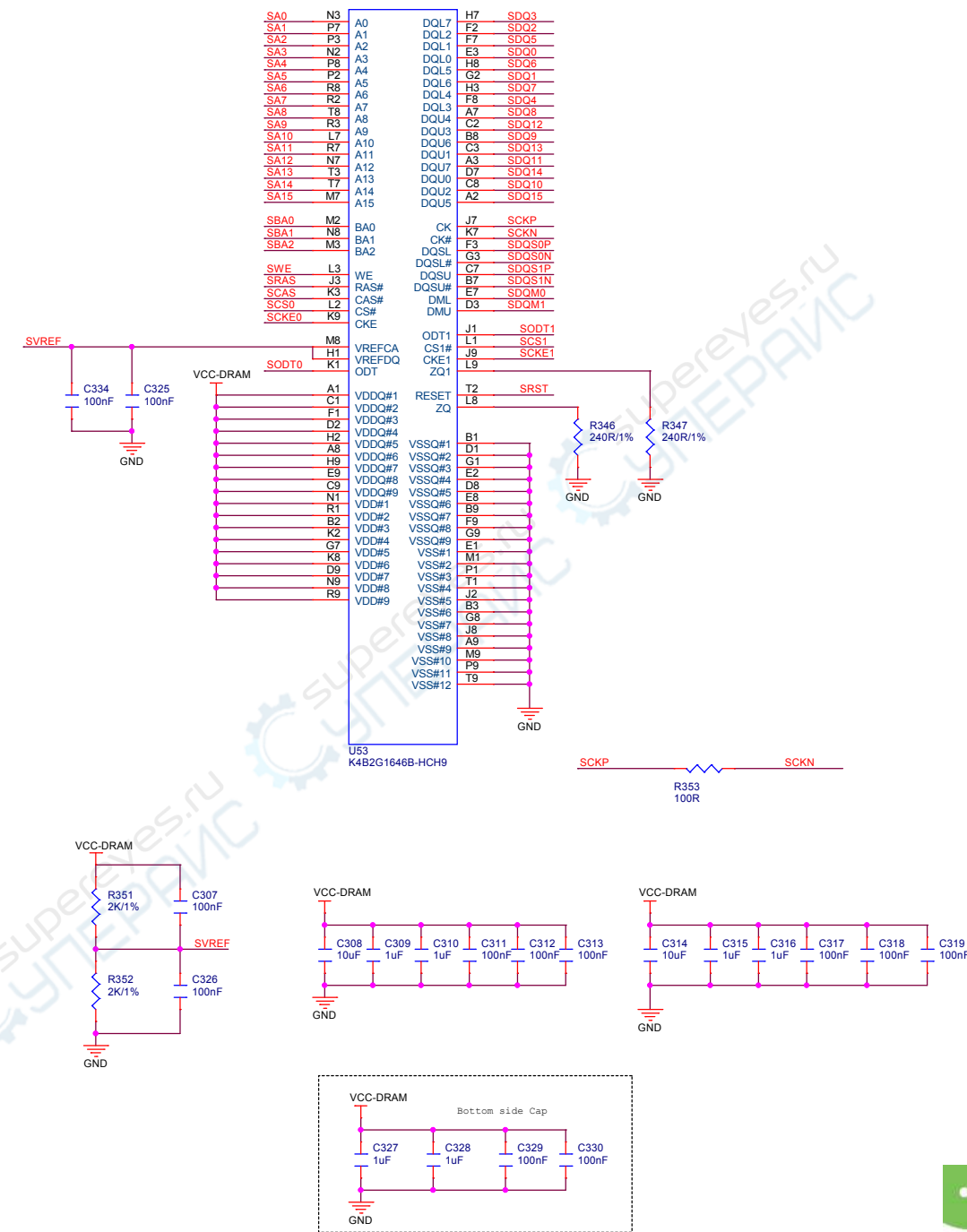
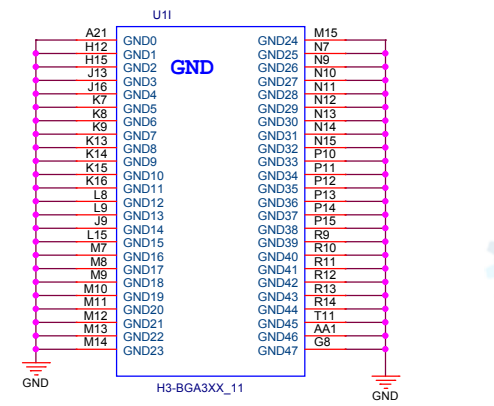
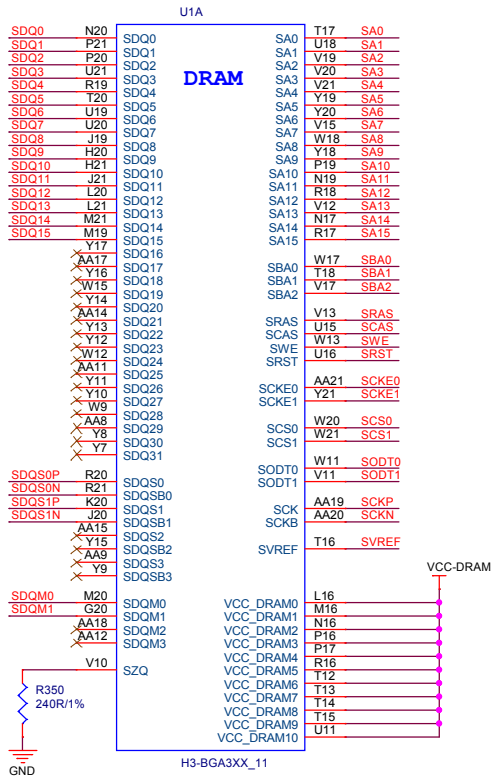
# BLOCK



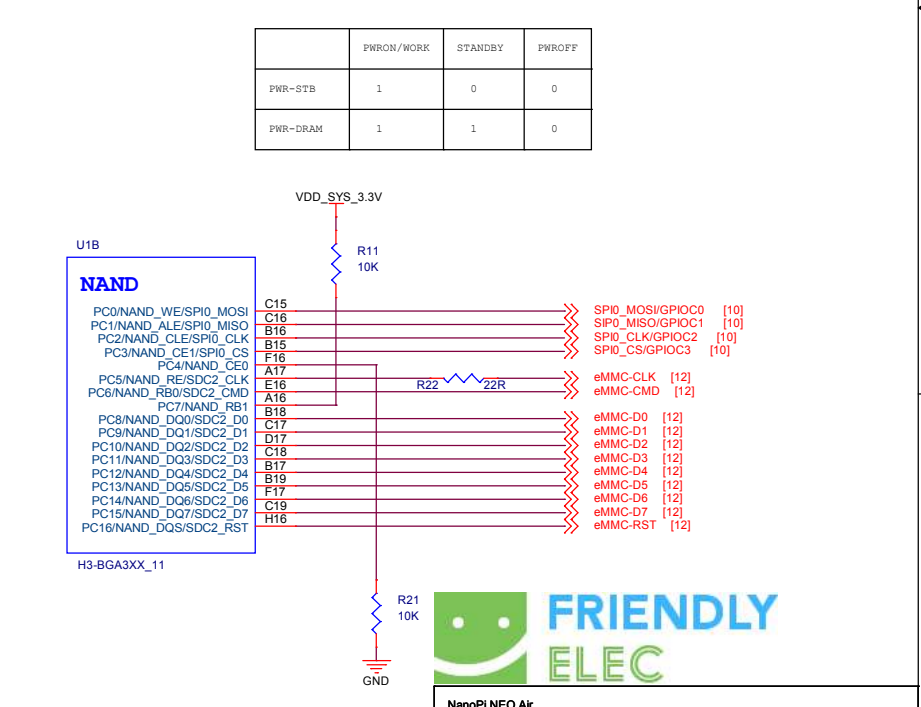
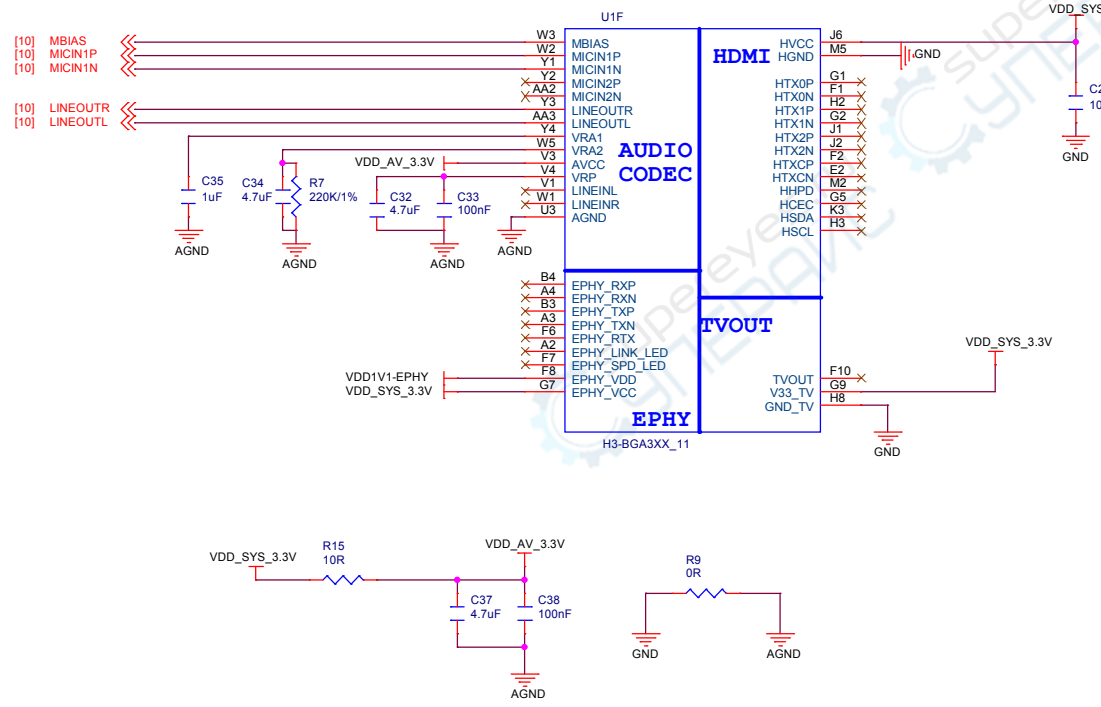
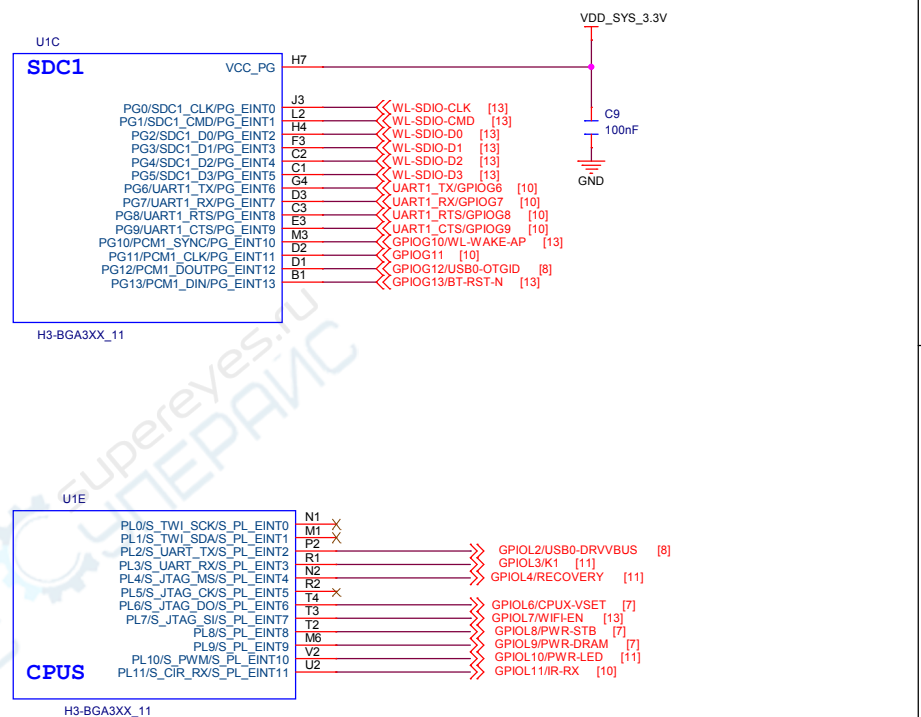
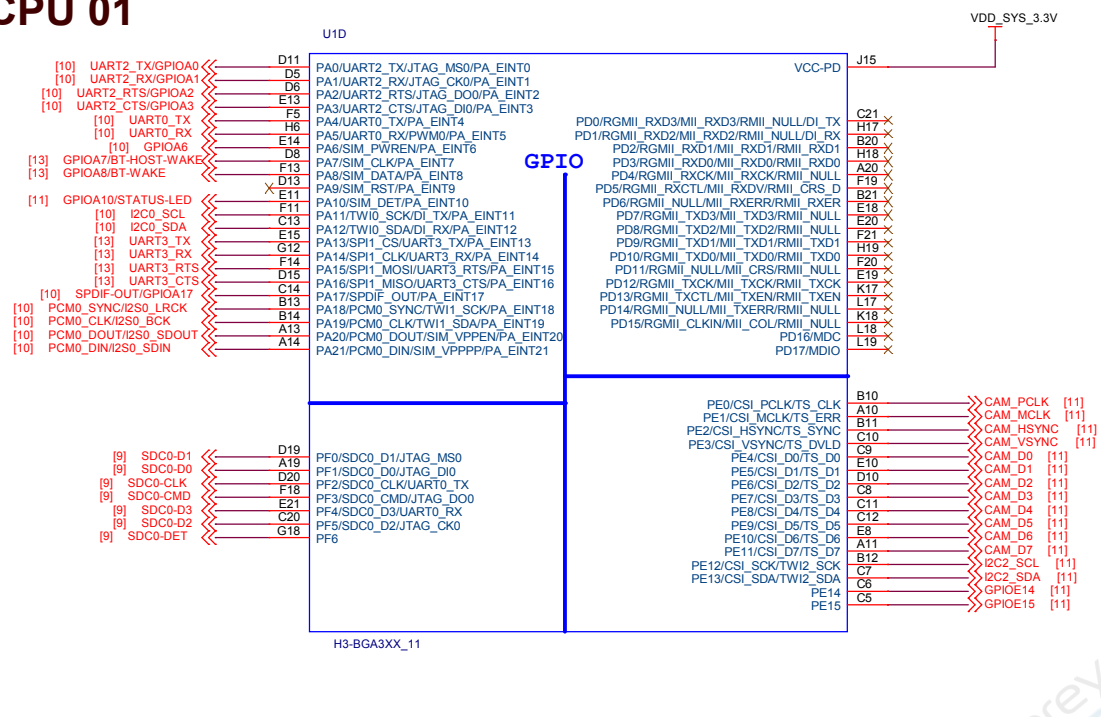
# POWER TREE



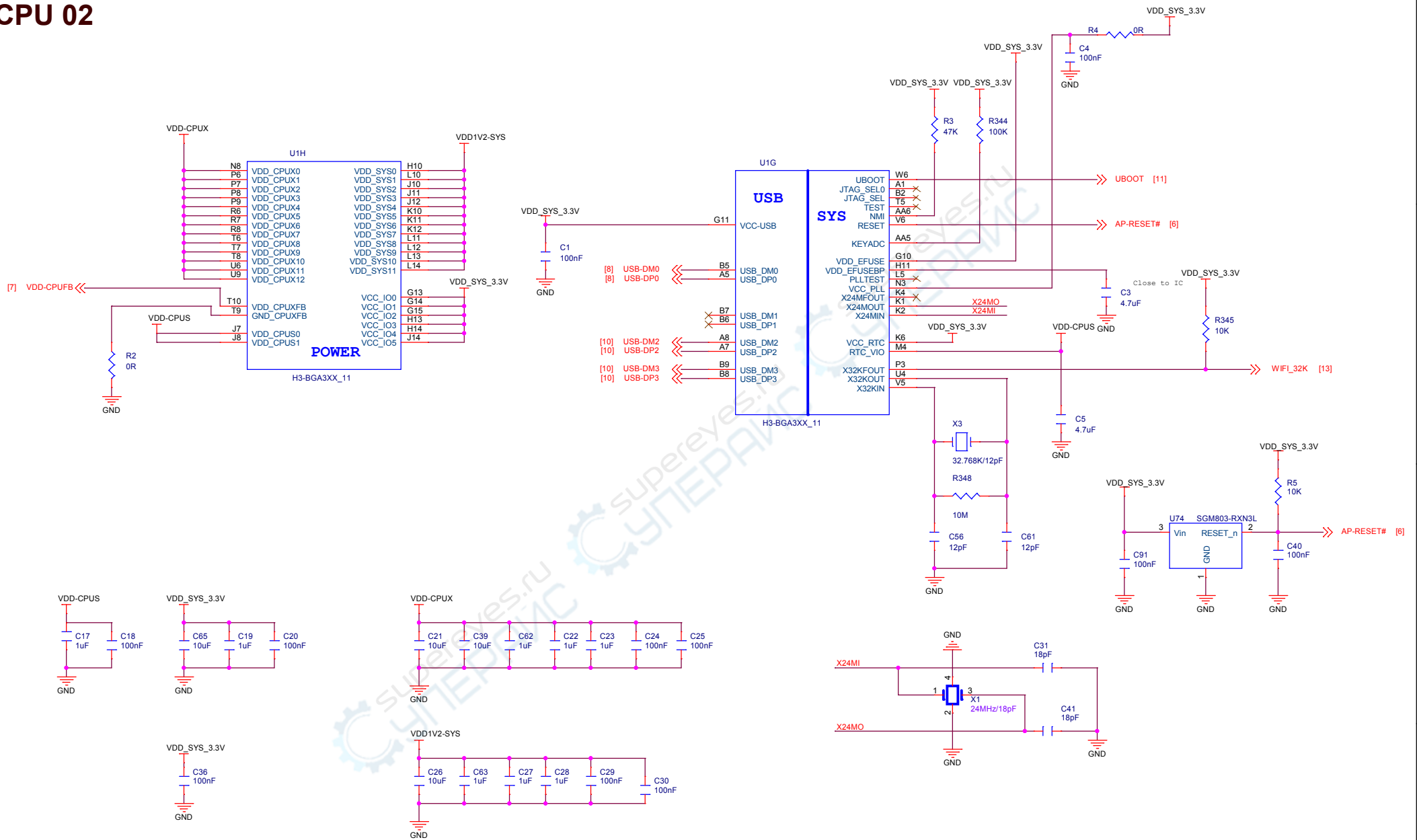
# DDR3 16x1



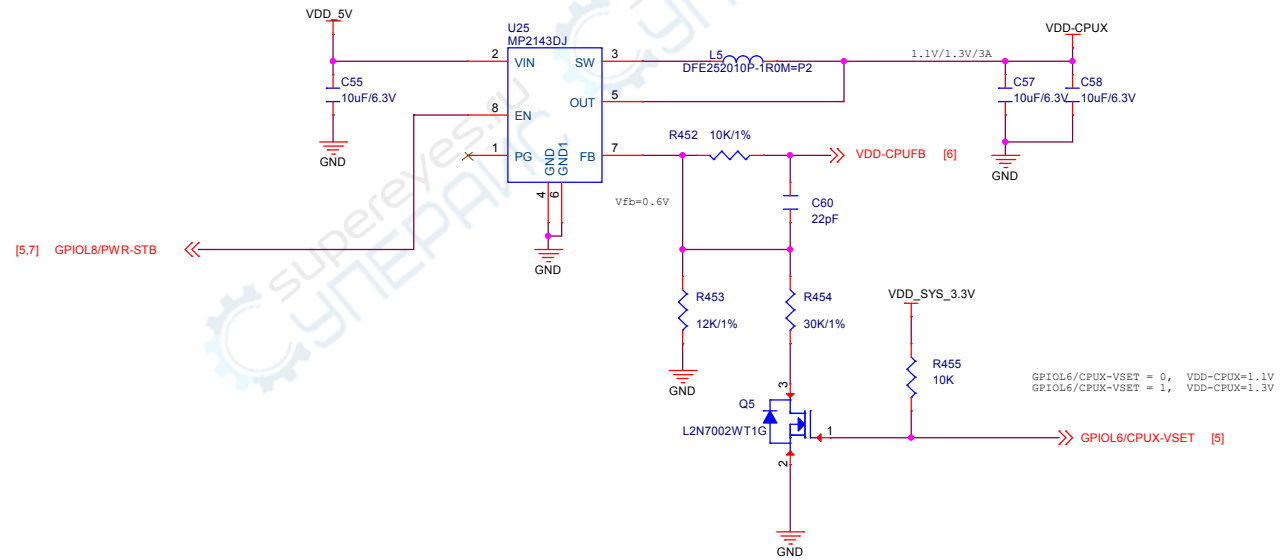
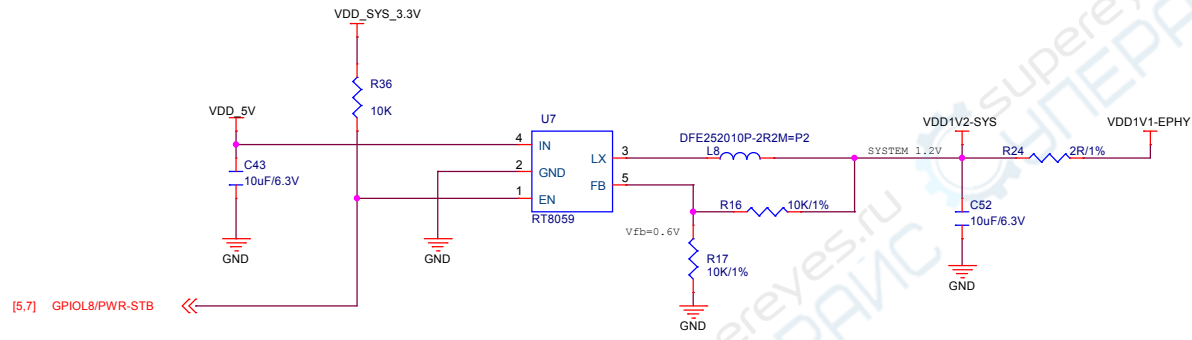
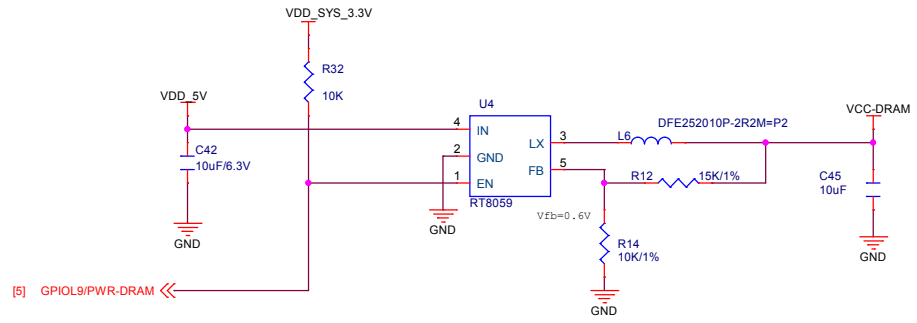
# CPU 01



# CPU 02



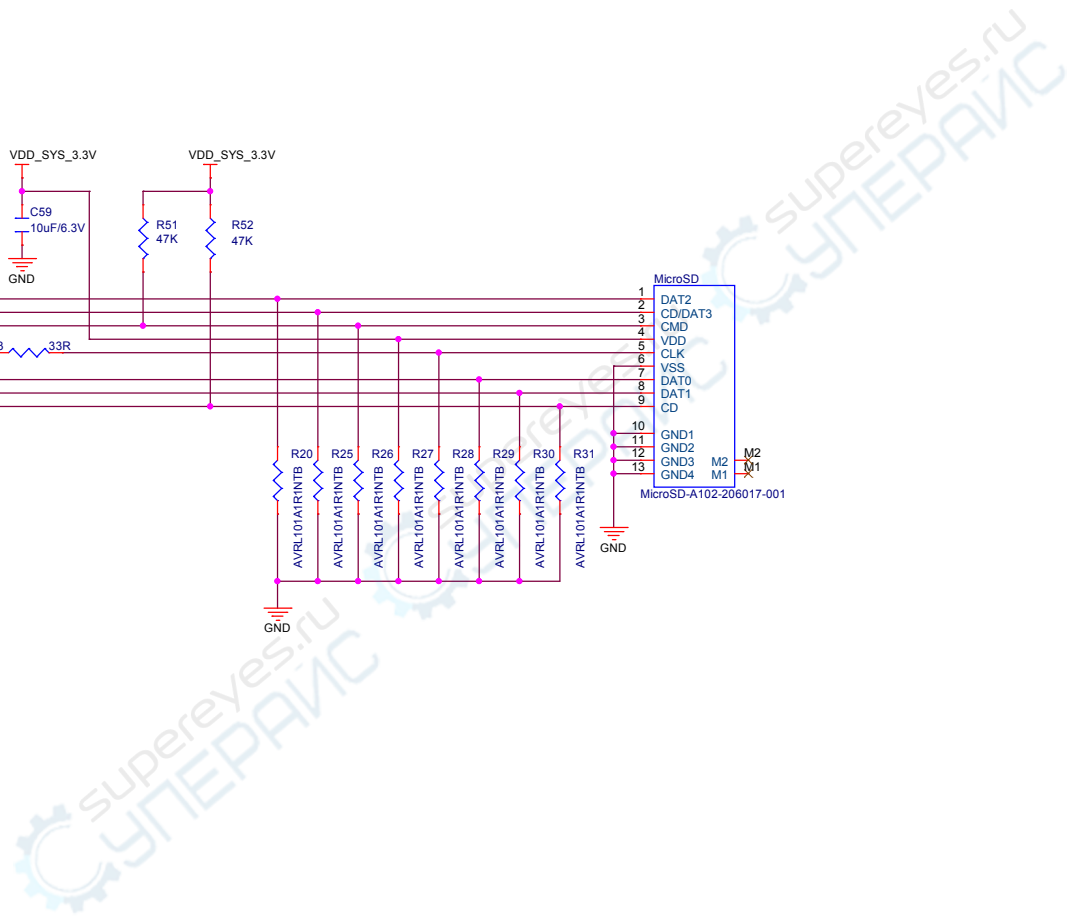
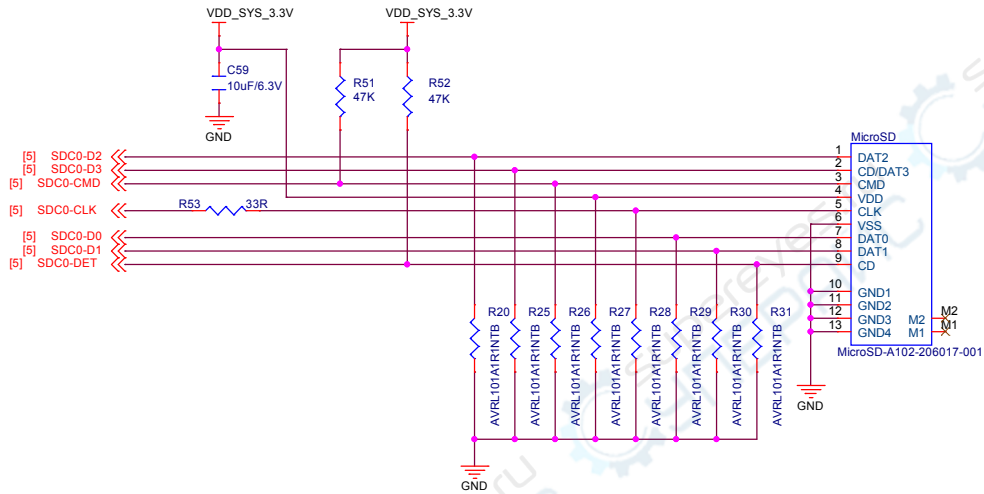
# POWER 01





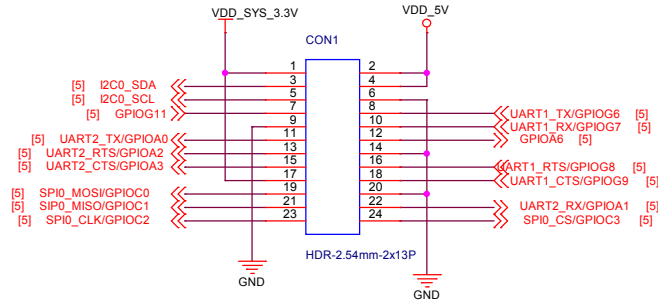


# MicroSD

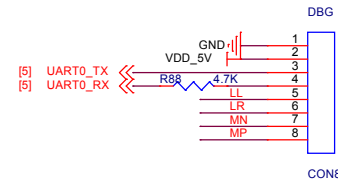
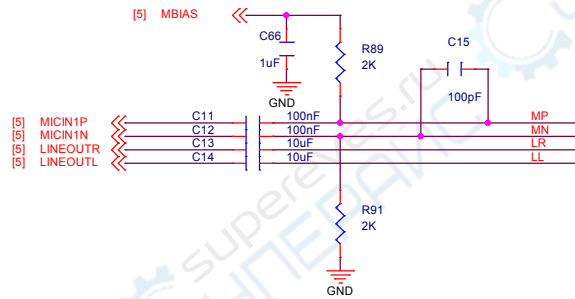
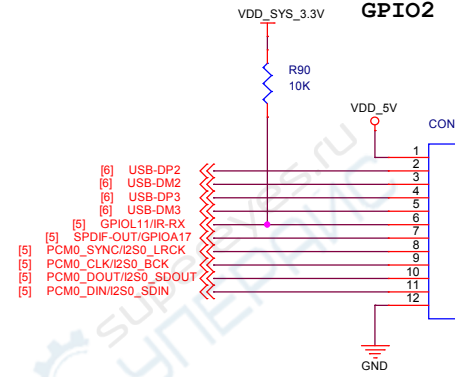


# GPIO

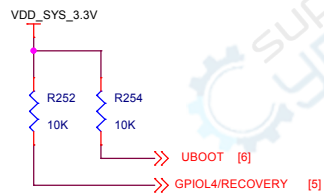
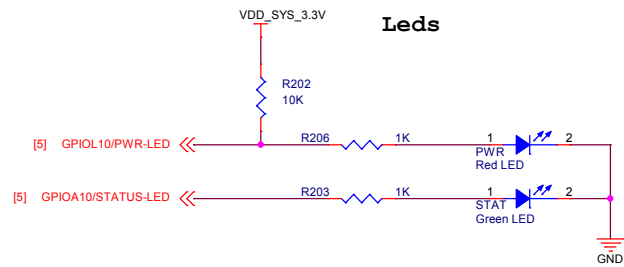
## GPIO1



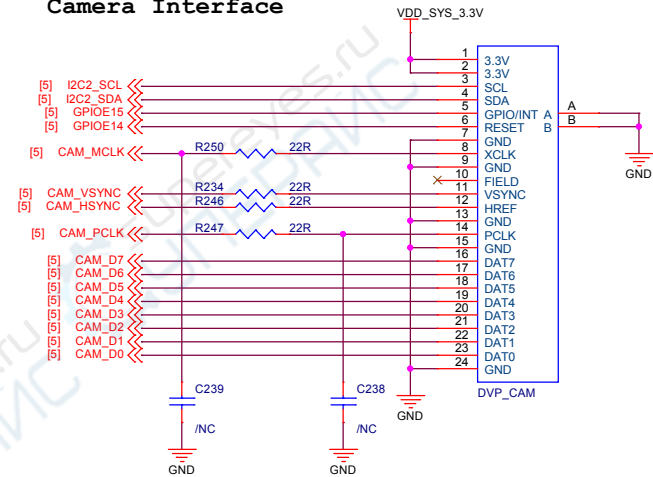
## GPIO2



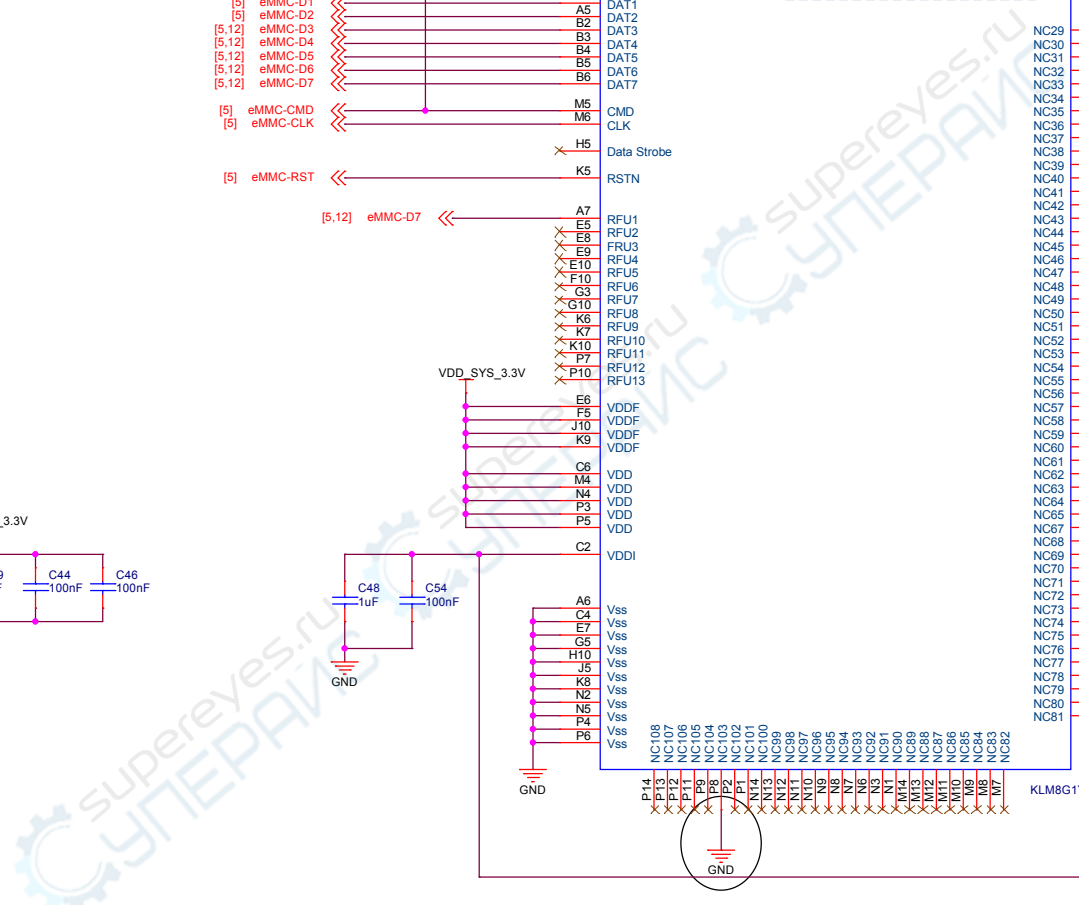
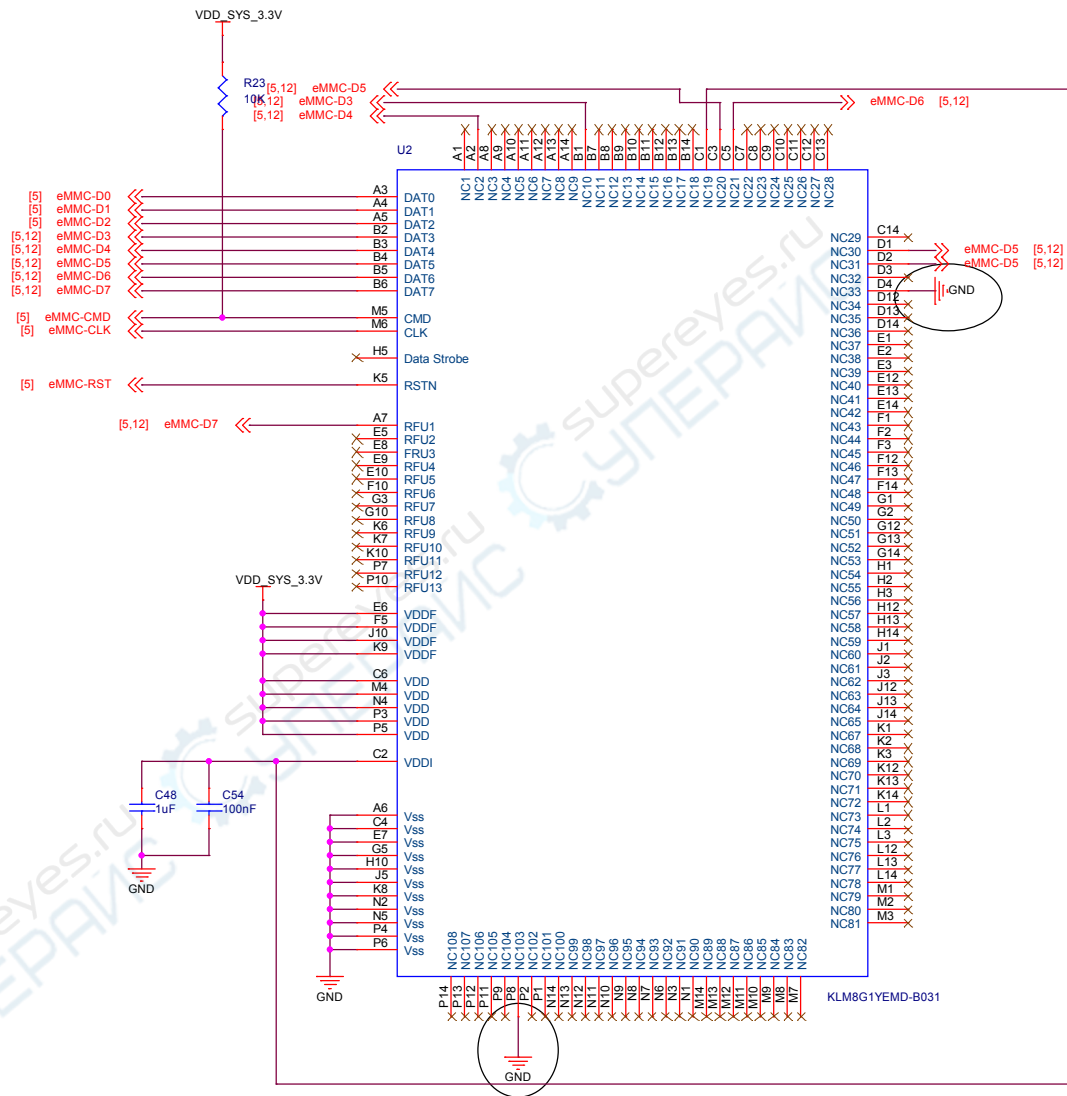
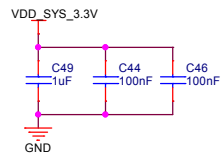
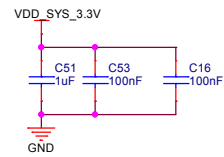
# LEDs, LAN, Keys

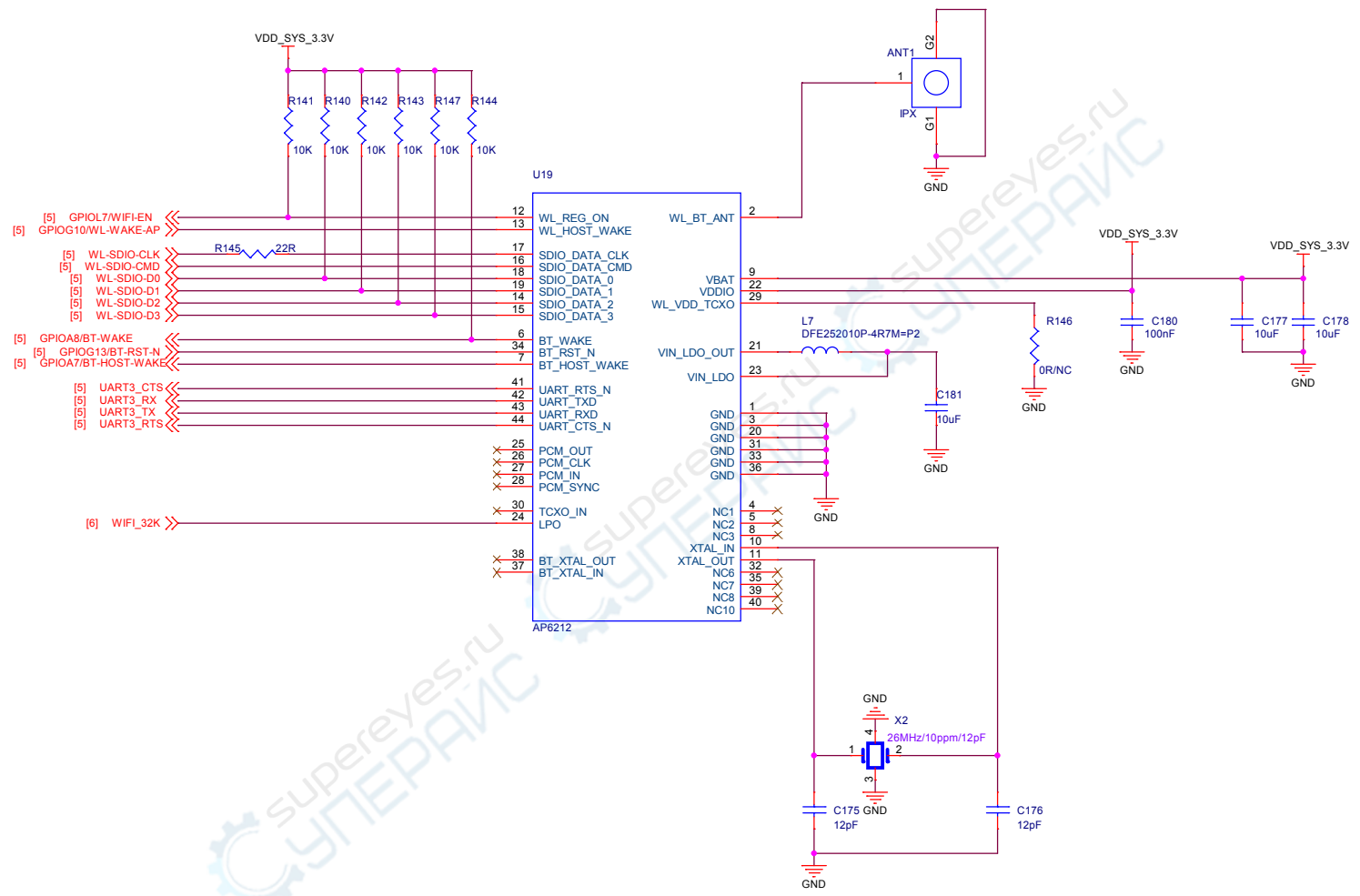


## Camera Interface



eMMC





supereyes.ru  
 СУПЕРПАВК



NanoPi NEO Air		
Size	Document Number	Rev
A3	14:AP6212	V1.1 1706
Date:	Friday, October 13, 2017	Sheet 13 of 13