

NanoPi NEO

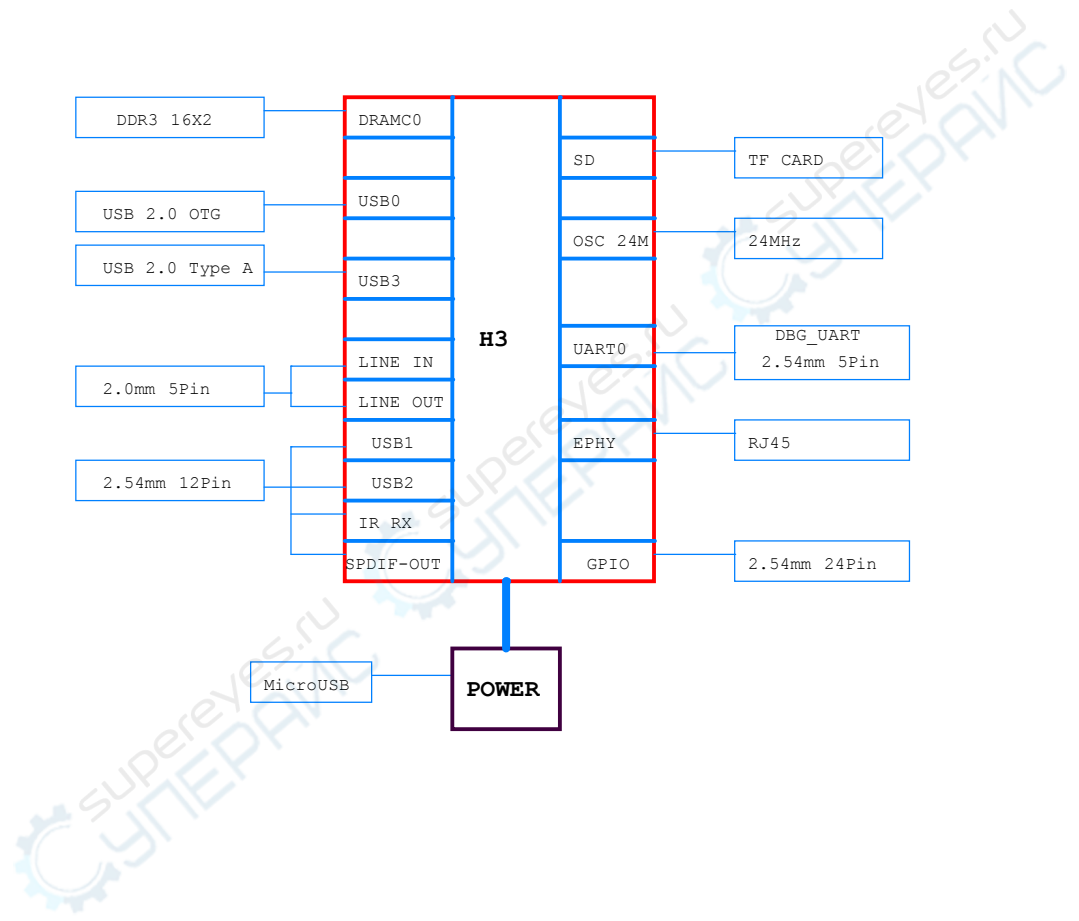
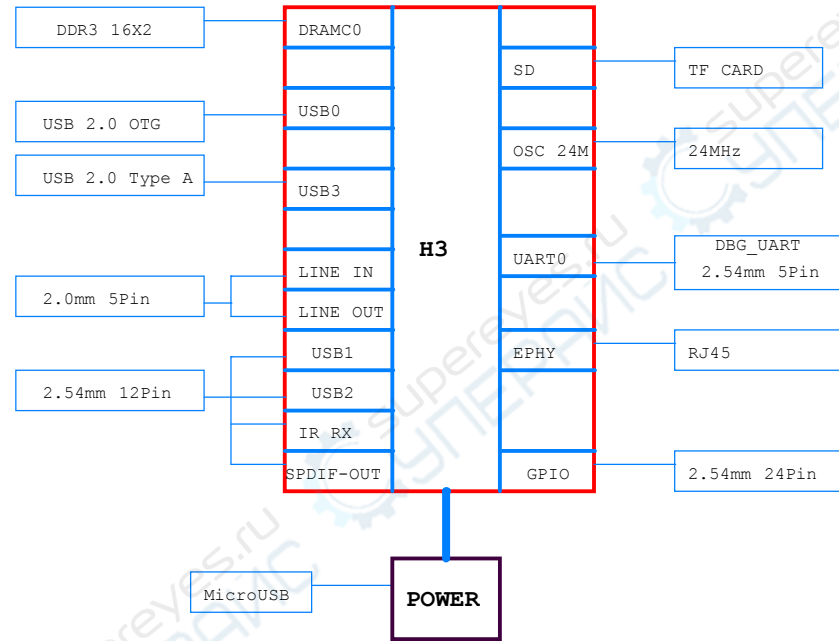
Revision

1606 , First Release
V1.1 1607, Replace MIC&LINEOUT with I2S/PCM on CON2
V1.2 1608, Use DC/DC (U7) for VDD1V2-SYS
V1.3 1702, Use DC/DC(U25) for VDD-CPUX
V1.31 1703, Change TFCard(MicroSD) footprint
V1.4 1801, Added TV-OUT

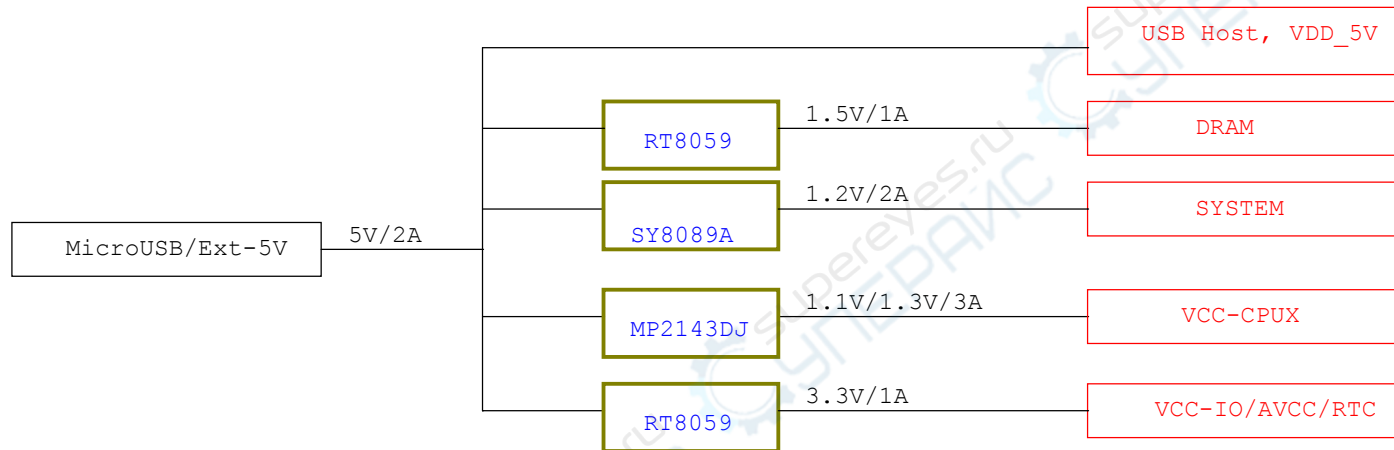


NanoPi NEO		
Size A3	Document Number 01:Title	Rev V1.4 1801
Date: Tuesday, January 30, 2018	Sheet 1	of 12

BLOCK



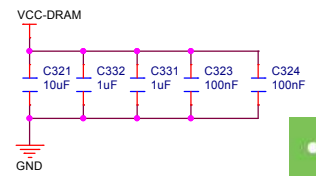
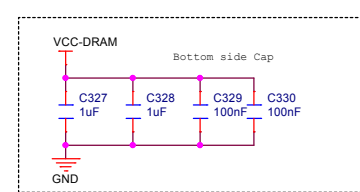
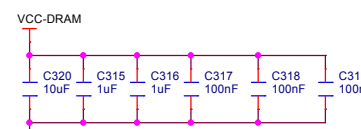
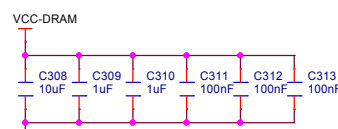
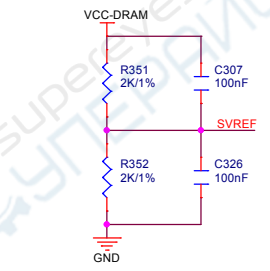
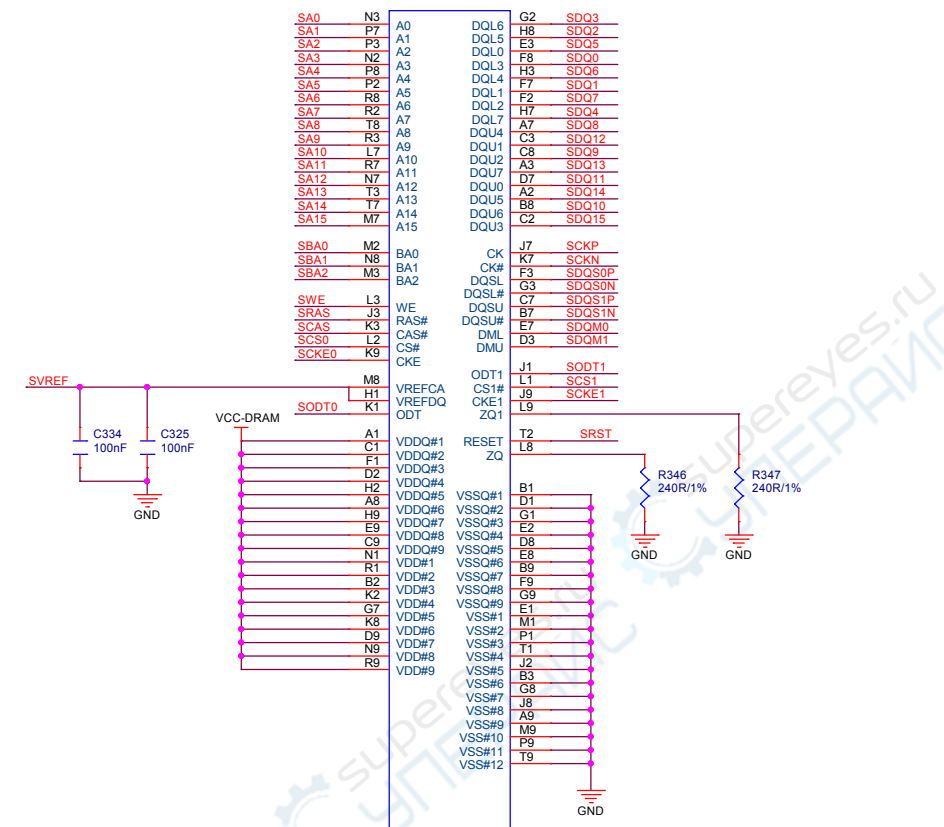
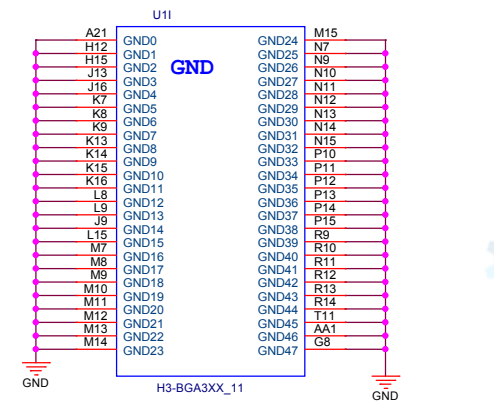
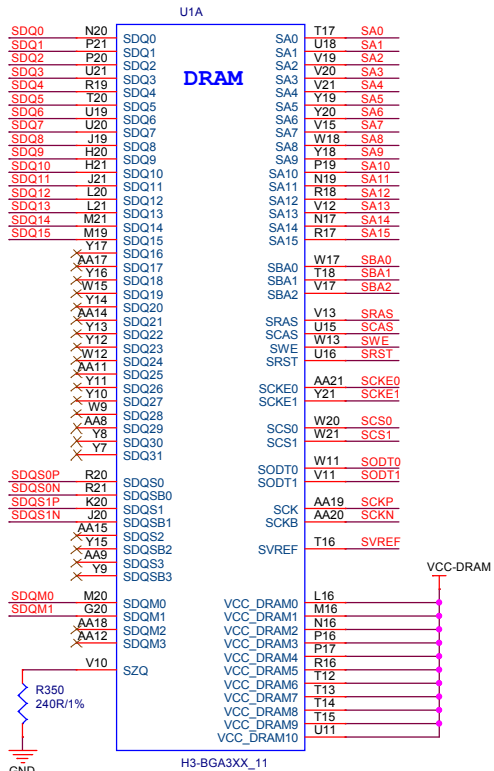
POWER TREE



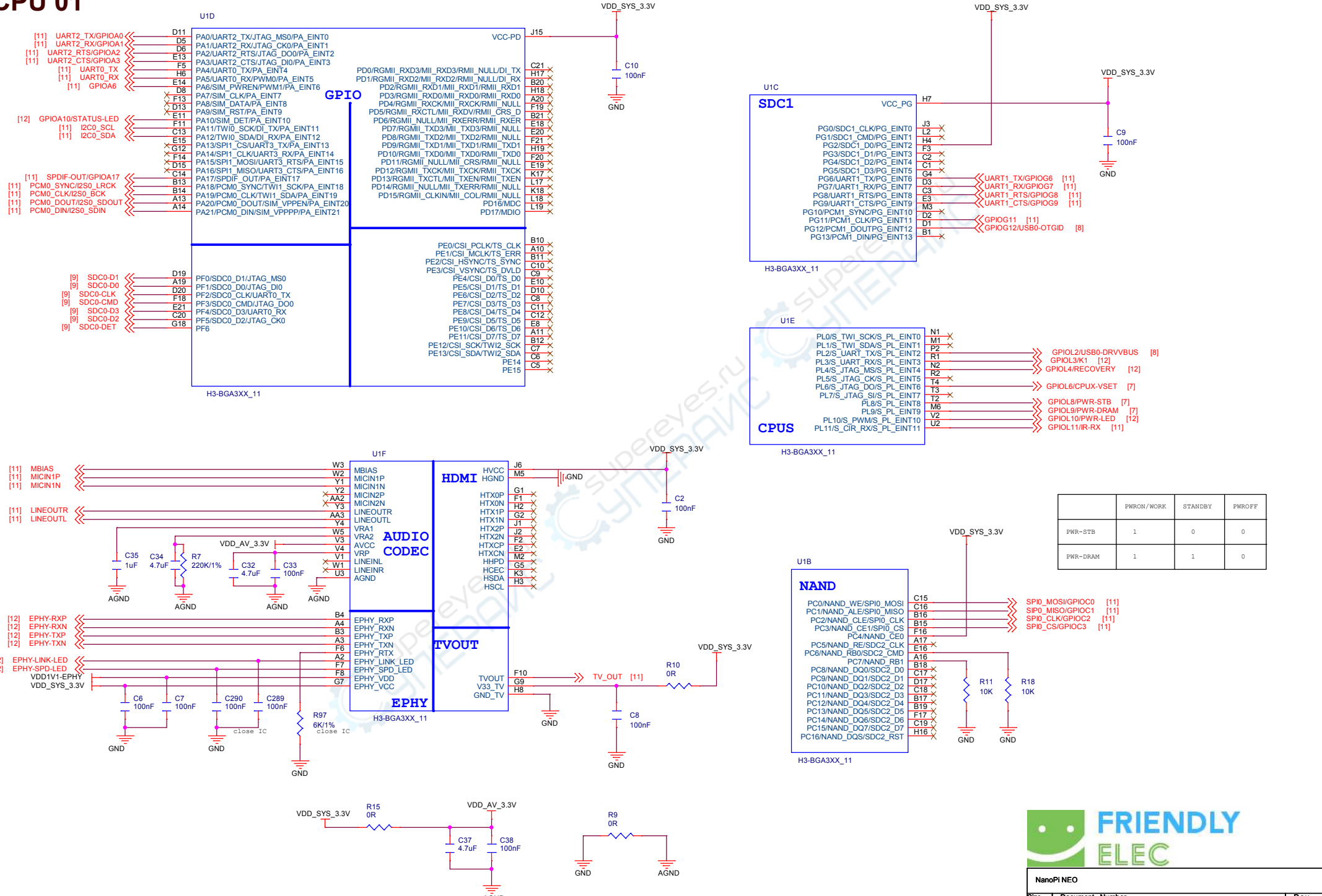
supereyes.ru
СУПЕРПАВК



DDR3 16x1



CPU 01



	PWRON / WORK	STANDBY	PWROFF
PWR-STB	1	0	0
PWR-DRAM	1	1	0

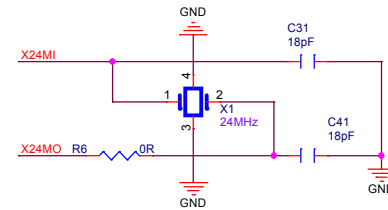
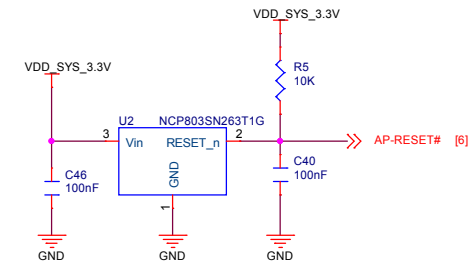
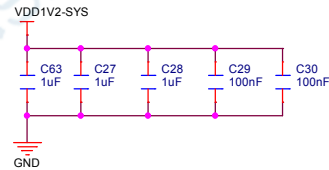
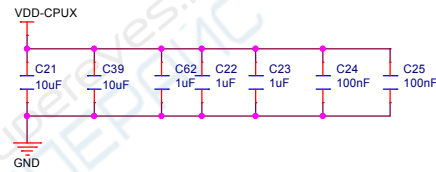
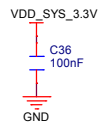
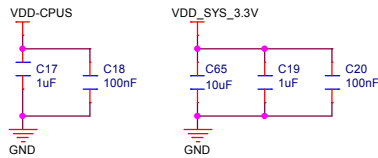
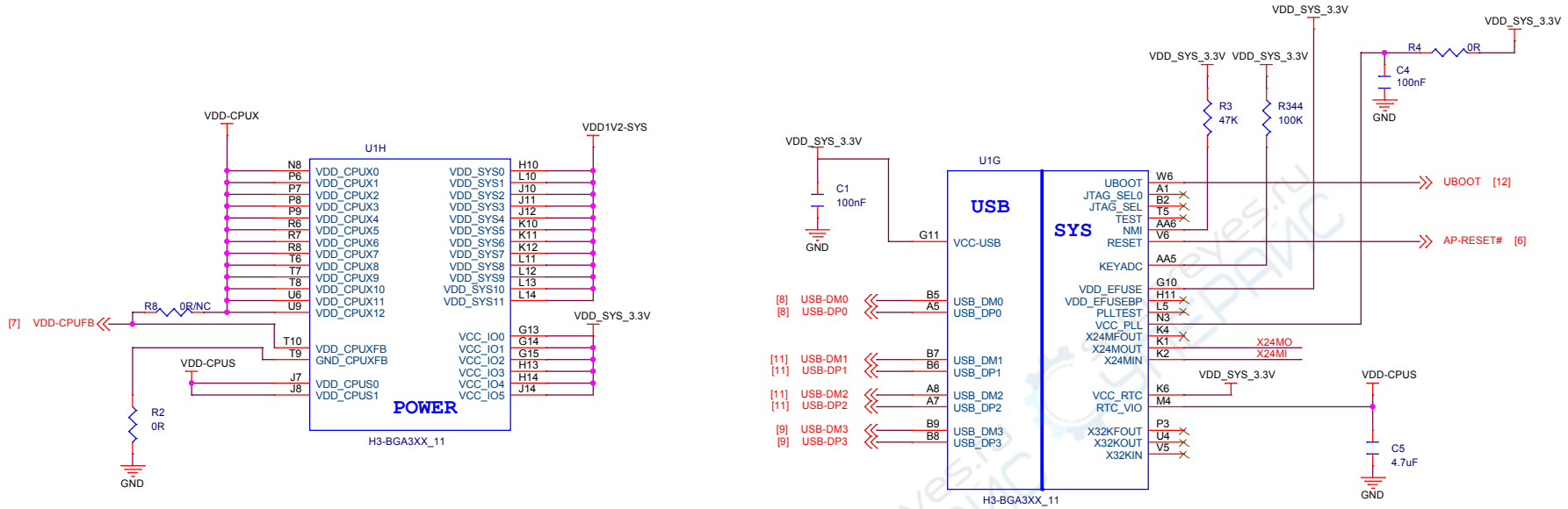
FRIENDLY ELEC

NanoPi NEO

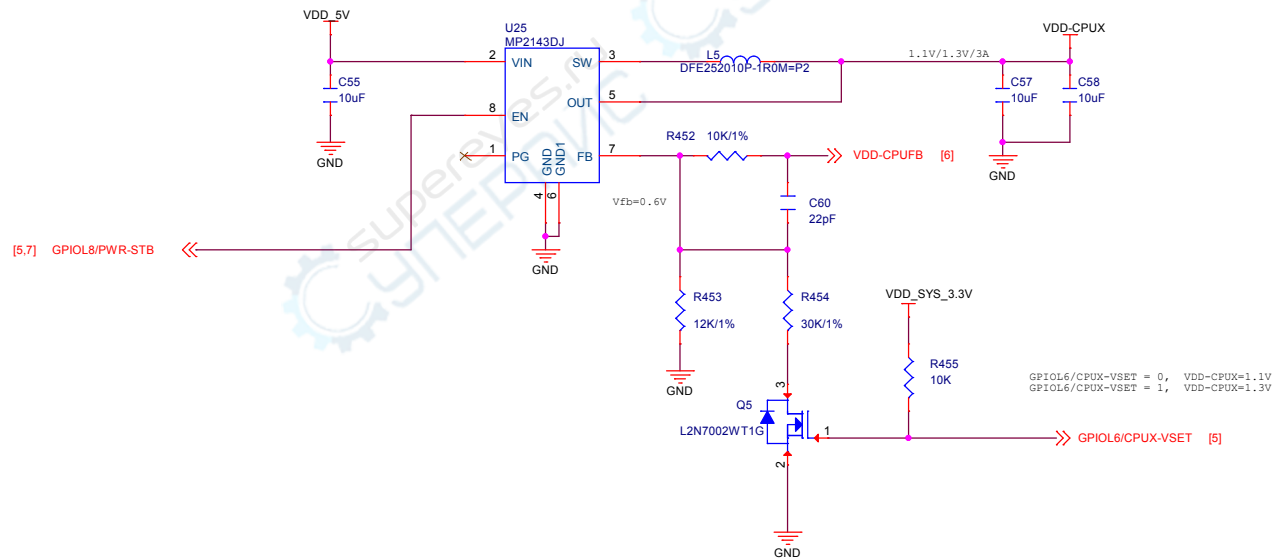
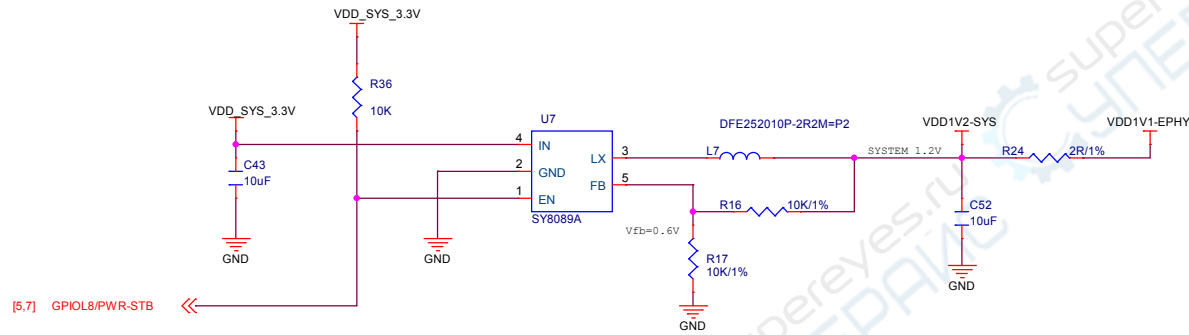
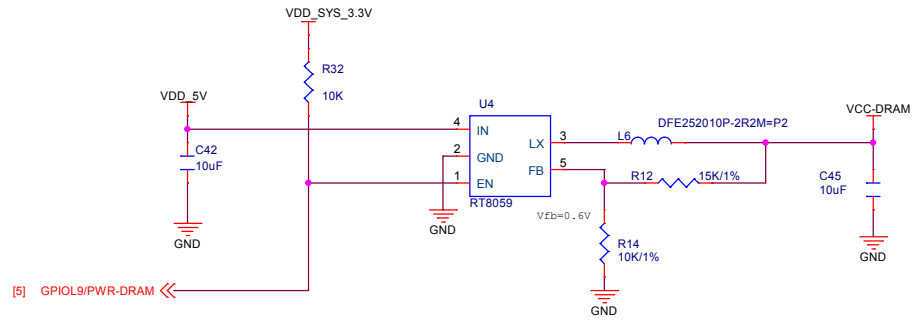
Size A3	Document Number 05:CPU 01	Rev V1.4 1801
---------	---------------------------	---------------

Date: Tuesday, January 30, 2018 Sheet 5 of 12

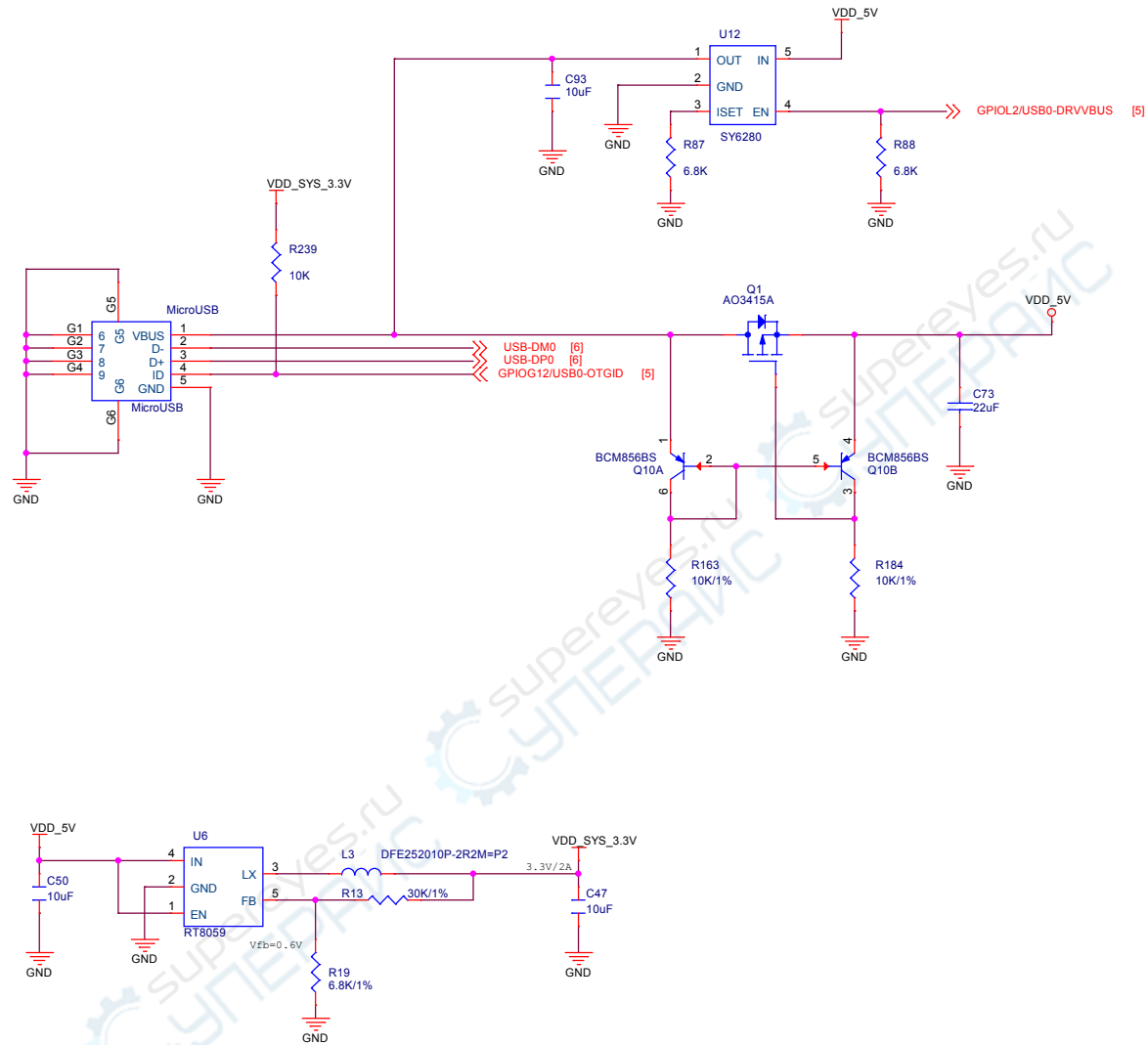
CPU 02



POWER 01



POWER 02



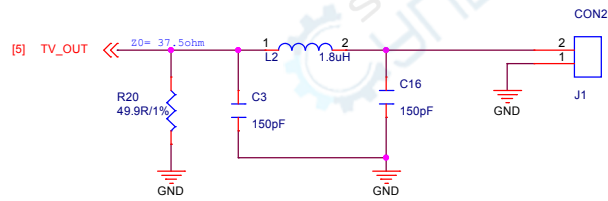
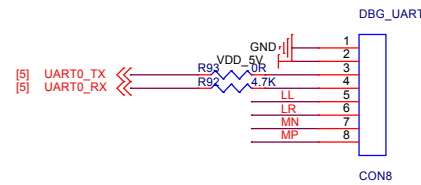
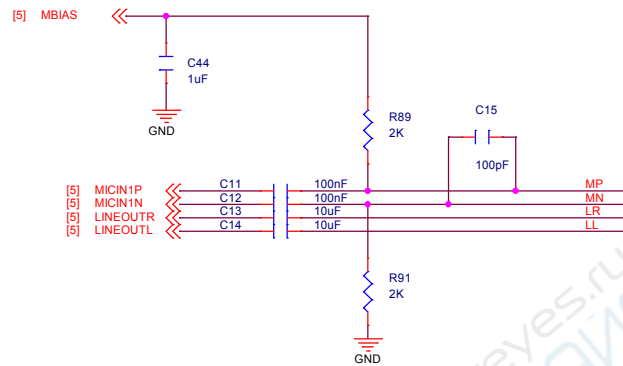
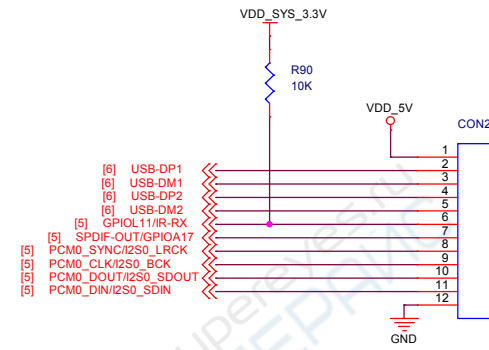
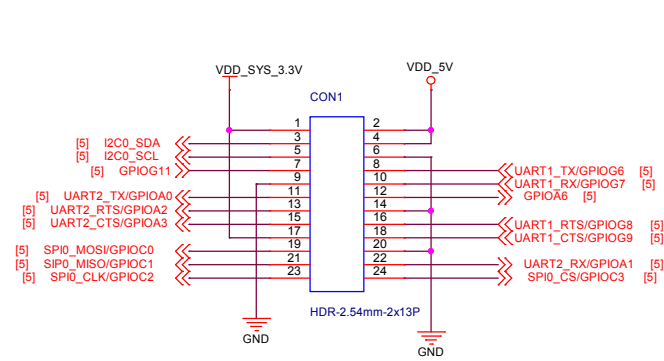
TF,USB Host



supereyes.ru
СуперАЙС



GPIO,Audio



LEDs, LAN

