

OPERATION MANUAL

TH2829X Series

Changzhou Tonghui Electronic Co. , Ltd.

Add: No.3, Tianshan Road, New District, Changzhou, Jiangsu

Tel: (0519) 85195566, 85132222

Fax: (0519) 85109972

E-mail: Sales@tonghui.com.cn

Website: [http:// www.tonghui.com.cn](http://www.tonghui.com.cn)

Contents

Chapter 1	Out of Box Audit	1
1.1	To Inspect the package.....	1
1.2	Power connection.....	1
1.3	Fuse	1
1.4	Environment	2
1.5	Use of Test Fixture	2
1.6	Warm-up	2
1.7	Other features.....	3
Chapter 2	Introduction	4
2.1	Introduction to front panel	4
2.2	Introduction to rear panel	6
2.3	Introduction to display zone	7
2.4	Main menu keys and corresponding displayed pages.....	8
2.4.1	[DISP]	8
2.4.2	[SETUP]	8
2.4.3	[SYSTEM].....	9
2.5	Basic Operation	9
2.6	Start the instrument.....	10
Chapter 3	Introduction to [DISP]	11
3.1	<MEAS DISPLAY>	11
3.1.1	Test function.....	12
3.1.2	Test range	14
3.1.3	Test frequency	14
3.1.4	Test level	15
3.1.5	DC bias.....	16
3.1.6	Test speed.....	17
3.1.7	Tools	17
3.1.8	Save LCR test result by U disk.....	18
3.2	<BIN NO. DISP>	19
3.2.1	Comparator function	20
3.3	<BIN COUNT DISP>.....	20
3.3.1	PARAM.....	21
3.3.2	NOM.....	21
3.3.3	BIN	21
3.3.4	HIGH/LOW	22
3.3.5	COUNT	22
3.3.6	AUX	22
3.3.7	OUT	22
3.4	<LIST SWEEP DISP>.....	22
3.4.1	Sweep mode.....	23
3.4.2	FREQ (Hz)	24
3.4.3	Cp[F] D[]	24

3.4.4	CMP (Compare).....	24
3.5	<TRACE SWEEP>	24
3.5.1	FORMAT	25
3.5.2	SCALE	25
3.5.3	READ.....	25
3.5.4	TRACE	26
3.5.5	POINTS.....	26
3.5.6	TRIGGER.....	26
3.5.7	SAVE CSV & SAVE AS.....	26
3.6	<MEAS SETUP>.....	27
3.6.1	Trigger mode	29
3.6.2	Auto level control function	29
3.6.3	Bias current isolation function	30
3.6.4	Average	31
3.6.5	Level monitor function	31
3.6.6	Delay time	32
3.6.7	Output impedance	32
3.6.8	Deviation test function	32
3.7	<CORRECTION>	33
3.7.1	OPEN.....	35
3.7.2	SHORT.....	36
3.7.3	LOAD.....	38
3.7.4	Load correction test function.....	39
3.7.5	Cable length selection.....	39
3.8	<LIMIT TABLE>	40
3.8.1	Swap parameter.....	40
3.8.2	Limit modes of compare function	41
3.8.3	Set nominal value of tolerance mode.....	42
3.8.4	Comparator function ON/OFF	42
3.8.5	Auxiliary bin ON/OFF	43
3.8.6	HIGH/LOW	43
3.9	<LIST SWEEP SETUP>	44
3.9.1	MODE	45
3.9.2	Test parameter	45
3.9.3	Sweep parameter setup	46
3.10	TRACE SWEEP SETUP	46
3.10.1	Function.....	47
3.10.2	Level	47
3.10.3	DC Bias.....	47
3.10.4	Trace	48
3.10.5	Range.....	48
3.10.6	Scale.....	48
3.10.7	Frequency	48
3.10.8	Speed.....	48

3.10.9	Format	48
3.10.10	Trigger	48
3.10.11	Mode	48
3.10.12	Start delay	49
3.10.13	Point	49
3.10.14	Step delay	49
3.10.15	Maximum and minimum	49
3.10.16	START	49
3.10.17	END	49
3.10.18	Coordination range setting	49
Chapter 4	[SYSTEM] and <FILE MANAGE>	51
4.1	<SYSTEM SETUP>	51
4.1.1	MAIN FUNC	51
4.1.2	ON BEEPERS	52
4.1.3	PASS BEEP	52
4.1.4	FAIL BEEP	52
4.1.5	LANGUAGE	53
4.1.6	THEME	53
4.1.7	PASS WORD	53
4.1.8	BUS MODE (Reserved function)	54
4.1.9	GPIB ADDR (Reserved function)	54
4.1.10	TALK ONLY	55
4.1.11	BIAS SRC	55
4.1.12	BAUD RATE	56
4.1.13	DATA/TIME	56
4.2	LCR <FILE MANAGE>	56
4.2.1	Setup file for single-group component (*.STA)	57
4.2.2	U-disk manage performance	58
4.2.3	Operation steps for file management	59
Chapter 5	Execute LCR operation and some examples	61
5.1	Correction operation	61
5.1.1	Sweep correction	61
5.1.2	Point-frequency correction	61
5.2	Correct connection of DUT	62
5.3	Eliminate the influence of stray impedance	63
5.4	Operation example for testing inductance with TH2829AX	64
5.5	Operation example of testing capacitance by multi-frequency list sweep	66
5.6	Operation example of load correction	69
Chapter 6	Transformer Single-machine Test	71
6.1	Circuit for transformer single-machine test	71
6.1.1	Some parameters of transformer	71
6.1.2	Transformer single test circuit and TURN test	71
6.1.3	Transformer leakage inductance test	72

6.1.4	Capacitance test between windings of transformer	72
6.2	<Transformer Measure Setup>	73
6.2.1	DELAY	74
6.2.2	Bias.....	74
6.2.3	MODE	74
6.2.4	Setting TURN test conditions	75
6.2.5	Setting Lx test conditions	75
6.2.6	Setting DCR test conditions	76
6.2.7	Test frequency, voltage and switch.....	76
6.3	<TRANS LIMIT SETUP>	76
6.3.1	LMT MODE	77
6.3.2	Parameter column	77
6.4	<TRANS MEAS DISP>	78
6.5	<Transformer Judge Display>	78
6.5.1	Save transformer single-group test result by U disk.....	79
Chapter 7	Transformer Auto Scanning Test.....	81
7.1	Introduction to scan test function.....	81
7.2	Install and connect the scanning test system	81
7.3	Upper panel of scanning box	82
7.4	Lower panel of scanning box	84
7.5	HANDLER interface	84
7.5.1	Timing diagram of HANDLER signal	84
7.5.2	Distribution and connection diagram for HANDLER	85
7.6	Example of transformer	85
7.7	<Transformer ID>	86
7.7.1	CLEAR RAM	86
7.7.2	TRANSFORMER PIN LABEL	87
7.7.3	AUTOTRIG DELAY	87
7.7.4	HANDLER MODE.....	88
7.7.5	SAVE LOG MODE	89
7.7.6	COPY PINOFFSET and COPY A=>ALL.....	90
7.7.7	PASS DISP TIME	91
7.7.8	PASS DISP SIZE.....	92
7.7.9	COMMAND EXTRIG	92
7.7.10	NO MINUS DEV	93
7.7.11	SCAN DISP FONT	93
7.7.12	EXT RESET FUNC.....	93
7.7.13	SCAN PAGE FROM and SCAN PAGE NUMS	93
7.7.14	RESCAN IF FAIL	94
7.7.15	SAVE LOG AS.....	95
7.7.16	DC BIAS FACTOR.....	95
7.7.17	HDL VAL ID TIME	96
7.7.18	RELAY ACT TIME	96
7.7.19	Transformer ID	97

7.7.20	PRIMARY NUMS.....	97
7.7.21	SECONDARY NUMS.....	97
7.7.22	RESCAN INTERVAL.....	97
7.7.23	SCAN DISP MODE.....	98
7.7.24	FAIL RESCAN.....	98
7.7.25	DCR MEAS DELAY.....	98
7.7.26	DCR OVER DELAY.....	98
7.7.27	IBIAS ON DELAY.....	99
7.7.28	IGNORE NOM.....	99
7.7.29	TRIGGER DELAY.....	99
7.7.30	CYLINDER CTRL.....	99
7.8	ALLOCATE PIN TO FIXTURE.....	100
7.8.1	PIN TO FIXTURE.....	100
7.8.2	HFLX.....	100
7.9	PIN SETUP.....	101
7.10	SERIES PIN SHORT SETUP.....	102
7.11	PARALLEL PIN SHORT SETUP.....	103
7.12	<TRANS TEST CONDITION>.....	104
7.12.1	Frequency, voltage, switch and scanning sequence.....	104
7.12.2	Setting TURN test conditions.....	105
7.12.3	Setting Lx test conditions.....	108
7.12.4	Setting Lk test conditions.....	112
7.12.5	Setting Cx test conditions.....	113
7.12.6	Setting Zx test conditions.....	114
7.12.7	Setting ACR test conditions.....	116
7.12.8	Setting DCR test conditions.....	117
7.12.9	Setting PS test conditions.....	118
7.12.10	Setting BL test conditions.....	119
7.12.11	Setting LED test conditions.....	120
7.13	<TRANS SCAN TEST>.....	122
7.13.1	Display zone.....	122
7.13.2	Function keys.....	123
7.13.3	PRI page-turning function.....	124
7.13.4	Lk Pin Disp.....	125
7.13.5	BAL display.....	126
7.13.6	<FILE MANAGE>.....	126
7.13.7	Operation steps for file manage.....	127
7.13.8	Stored files of TH2829AX-24.....	129
7.13.9	Compatibility of stored files.....	130
7.13.10	Transformer deviation-deduction.....	130
7.13.11	Save scan test results by U disk.....	132
7.14	Statistic page of transformer scan test.....	133
7.14.1	Reset statistic count value.....	133
7.15	FOCUS SCAN.....	134

7.16	Frequently asked questions and answers in transformer scan test	135
7.16.1	High and low limits	135
7.16.2	Measurement item loss	135
7.16.3	Measurement interruption	136
7.16.4	Poor DCR accuracy	136
7.16.5	Poor Lk accuracy	136
7.16.6	Inaccurate TURN	136
7.16.7	Unstable TURN.....	137
7.16.8	Difference between the first and the second Lx.....	137
7.16.9	Poor stability of Cx and Zx open test data	137
7.16.10	DCR and PS open cannot reach infinite large	137
7.17	User-made test fixture.....	137
7.17.1	Use TH1801-EXT2A-OUT to make test fixture	138
7.17.2	Example of using TH1801-EXT11A(5.0)-B pin signal.....	139
7.17.3	Scan test interface board.....	139
7.18	Self-check function of scanner relay	140
7.18.1	Operation steps for scan self-check.....	140
7.18.2	Displayed information on screen.....	141
7.18.3	Detection method for relay short	142
Chapter 8	Performance and Test.....	143
8.1	Test function	143
8.1.1	Parameter and symbol	143
8.1.2	Test combination	143
8.1.3	Mathematical operation	143
8.1.4	Equivalent mode	143
8.1.5	Range.....	143
8.1.6	Trigger.....	143
8.1.7	Delay time	144
8.1.8	Connection modes of test terminals	144
8.1.9	Test speed (Frequency >= 10kHz)	144
8.1.10	Average	144
8.1.11	Display digit	144
8.2	Test signal	144
8.2.1	Test signal frequency	144
8.2.2	Signal mode	145
8.2.3	Test signal level	145
8.2.4	Output impedance	145
8.2.5	Monitor for test signal level.....	145
8.2.6	Maximum measurement display range.....	145
8.2.7	DC bias voltage source.....	146
8.2.8	Diode test	146
8.3	Measurement accuracy	146
8.3.1	Z , Y , L, C, R, X, G, B accuracies.....	146

8.3.2	D accuracy	147
8.3.3	Q accuracy	147
8.3.4	Θ accuracy	147
8.3.5	G accuracy	147
8.3.6	R _p accuracy.....	148
8.3.7	R _s accuracy.....	148
8.3.8	Accuracy factor	148
8.3.9	DCR accuracy	152
8.3.10	Lk accuracy	152
8.3.11	Turns to Ratio accuracy	152
8.4	Safety requirement	153
8.4.1	Insulation resistance.....	153
8.4.2	Insulation intensity.....	153
8.4.3	Leakage current.....	153
8.5	Electromagnetic compatibility	153
8.6	Performance test	153
8.6.1	Working condition.....	153
8.6.2	The used instruments and devices	154
8.6.3	Function check.....	154
8.6.4	Test signal level	154
8.6.5	Frequency	155
8.6.6	Measurement accuracy.....	155
8.6.7	Accuracy of C and D	155
8.6.8	Accuracy of L.....	155
8.6.9	Accuracy of Z.....	155
8.6.10	Accuracy of DCR	156
Chapter 9	Command Reference	157
9.1	Subsystem commands for TH2829X	157
9.1.1	DISPlay subsystem commands	157
9.1.2	FREQUency subsystem commands	160
9.1.3	VOLTage subsystem commands	160
9.1.4	CURRent subsystem commands.....	161
9.1.5	AMPLitude subsystem commands	161
9.1.6	Output RESistor subsystem commands.....	161
9.1.7	OUTPut subsystem commands	162
9.1.8	BIAS subsystem commands.....	163
9.1.9	FUNCTion subsystem commands.....	164
9.1.10	LIST subsystem commands	168
9.1.11	APERture subsystem commands.....	172
9.1.12	TRIGger subsystem commands	173
9.1.13	FETCh? subsystem commands.....	174
9.1.14	CORRection subsystem commands.....	177
9.1.15	COMParator subsystem commands	182
9.1.16	Mass MEMory subsystem commands	187

9.1.17	TRAN subsystem commands	187
9.2	GPIB Common Commands	196
Chapter 10	Description for Handler	200
10.1	Technology description	200
10.2	Operation description	200

Announcement

The description of the manual may not cover all contents of the instrument, and our company is subject to change and to improve the performance, function, inner structure, appearance, accessory and package of the instrument without notice. If there is puzzle caused by inconsistency of manual and instrument, then you can contact with our company by the address on the cover.

Chapter 1 Out of Box Audit

When you receive the instrument, some inspections are necessary, and the condition must be understood and available before installing the instrument.

1.1 To Inspect the package

Inspect the shipping container for damage after unpacking it. It is not recommended to power on the instrument in the case of a damaged container. If the contents in the container do not conform to the packing list, notify us or your dealer.

1.2 Power connection

- 1) Power-supplying voltage range: 100~120Vac or 198~242Vac. Being related with the power setup on the rear panel.
- 2) Power-supplying frequency range: 47~63Hz.
- 3) Power-supplying power range: less than 80VA.
- 4) Power supplying input phase line L, zero line N, ground lead E should be as same as the power plug of the instrument.
- 5) After careful design, the instrument can reduce the clutter jamming caused by AC power terminal input, however, it should be used under the environment with low-noise. Please install power filter if being unavoidable.

Warning: In order to prevent user and instrument from being hurt by leakage, it is necessary for user to guarantee the ground line of supply power being reliably grounded.

1.3 Fuse

The instrument has installed fuse, so operators should use the installed fuse of our company.

Warning: Be sure that the location of fuse is consistent with power-supplying voltage range before charging.

1.4 Environment

- 1) Please do not operate the instrument in the place that is vibrative, dusty, under direct sunlight or where there is corrosive air.
- 2) The normal working temperature is $0^{\circ}\text{C}\sim 40^{\circ}\text{C}$, relative humidity $\leq 75\%$, so the instrument should be used under above condition to guarantee the accuracy.
- 3) There is heat abstractor on the rear panel to avoid the inner temperature rising. In order to keep good airiness, please don't obstruct the left and right airiness holes to make the instrument maintain the accuracy.
- 4) Although the instrument has been specially designed for reducing the noise caused by ac power, a place with low noise is still recommended. If this cannot be arranged, please make sure to use power filter for the instrument.
- 5) Please store the instrument in the place where temperature is between 5°C and 40°C , humidity is less than 85%RH. If the instrument will not be put in use for a time, please have it properly packed with its original box or a similar box for storing.
- 6) The instrument, especially the test cable should be far from strong electro-magnetic field, to avoid the jamming on measurement.

1.5 Use of Test Fixture

Please use the accessory test fixture or cable, **the test fixture made by user or from other company may cause the incorrect measurement result**. The test fixture or cable should be kept clean, as well as the pin of DUT, thus to guarantee the good connection between DUT and fixture.

Connect the fixture or cable to four test terminals Hcur, Hpot, Lcur, Lpot on the front panel. As for the DUT with shielding shell, connect shielding layer or ground "⊥".

Note: When test fixture or cable has not being installed, the instrument will display an unstable test result.

1.6 Warm-up

- 1) To guarantee the accurate measurement, the warm-up time is no less than 15min.
- 2) Please not turn on or off instrument frequently, in order to avoid the inner data fluster.

1.7 Other features

- 1) Power: consumption power $\leq 80\text{VA}$.
- 2) Dimension (W*H*D): 430mm*185mm*473mm
- 3) Weight: About 13kg.

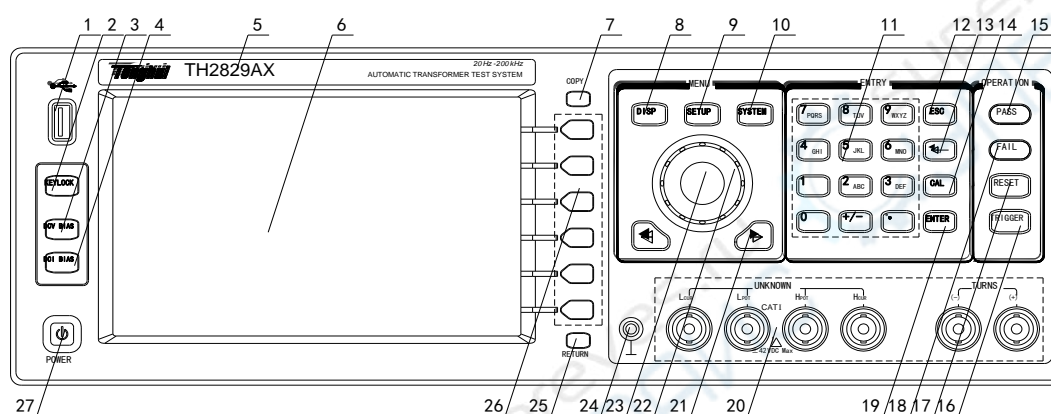


Chapter 2 Introduction

In this chapter, the basic operation features of TH2829X series are described. Please read the content carefully before using TH2829X series instruments, thus you can learn the operation of TH2829X.

2.1 Introduction to front panel

Figure 2-1 shows the front panel of TH2829X.



- 1) USB HOST interface
Connect U flash disk so as to save or use a specified file.
- 2) [KEYLOCK]
Press [KEYLOCK], it will be lighted, which means the function of current panel is locked. Press it again, it will be off, which means discharging the lock status. If the password function is ON, it means correct password is necessary when discharging the key-lock, or the key cannot be unlocked. When the instrument is controlled by RS232, [KEYLOCK] will be lighted. Press it again, it will be off, which means discharging the lock status.
- 3) [DC BIAS]
[DC BIAS] is used to permit or forbid the output of 0-100mA/10V DC bias source. Press this key, it will be lighted which means DC bias output is permitted. Press this key once more, it will be off which means DC bias output is prohibited. The key is useless in some pages where the DC BIAS cannot be added.
- 4) [DC SOURCE]
This key is only valid in TH2829A(B/C) LCR Meter. It is the function of DC voltage source (-10~+10V).
- 5) Brand and model
Brand and model
- 6) LCD
800*480 colorful TFT LCD display, showing the measurement results and

conditions.

- 7) [COPY]
Copy the currently displayed page to USB memory.
- 8) [DISP]
Press this key to enter into the corresponding test display page.
- 9) [SETUP]
Press this key to enter into the corresponding test setup page.
- 10) [SYSTEM]
Press this key to enter into the system setup page.
- 11) Numerical keys
These keys are used to input data to the instrument. The key consists of numerical keys [0] to [9], decimal point [.] and [+/-] key.
- 12) [ESC]
ESCAPE key
- 13) [←]
BACKSPACE key is used to delete the last numeric of the input value.
- 14) [CAL]
Execute the calibration operation. Press this key to execute OPEN/SHORT calibration.
- 15) PASS indicator
LED indicator shows the test result has passed.
- 16) [TRIGGER]
When the trigger mode is set to MAN mode, press this key to trigger the instrument.
- 17) [RESET]
Press this key, when transformer auto scanning is cancelled, other operation cannot be executed on other pages.
- 18) FAIL indicator
LED indicator shows the test result has failed.
- 19) [ENTER]
This key is used to end the input of data, and confirm and save the data displayed on the inputting line (the bottom line on LCD).
- 20) Test terminals (UNKNOWN)
4-terminal test pair are used to connect 4-terminal test fixture or cable to measure DUT.
The 4 terminals are respectively as follows: Hcur, Hpot, Lpot and Lcur.
Transformer secondary test terminal (TURNS)
(+): Secondary (+) terminal
(-): Secondary (-) terminal
- 21) CURSOR
This key is used to move the cursor on the LCD displayed page. When the cursor moves to a zone, the corresponding zone will be lightened.
- 22) Knob for menu selection and numeric input
This knob is used to move the cursor, select and set parameters.

23) Confirmation key

This key is used to end the data input, confirm and save the data input through knob.

24) Ground terminal

The ground terminal is connected with the case of instrument, which can be used to protect or shield the ground connection.

25) FILE

This key is used to enter into FILE MANAGE interface (when in LCR function, it is the only way to enter into the FILE MANAGE interface).

26) Soft keys

Six soft keys are used to select parameters. The corresponding function of each soft key has been displayed on its left (the right part of LCD). The function definition varies with different pages.

27) POWER

Power switch

2.2 Introduction to rear panel

Figure 2-2 shows the rear panel of TH2829X.

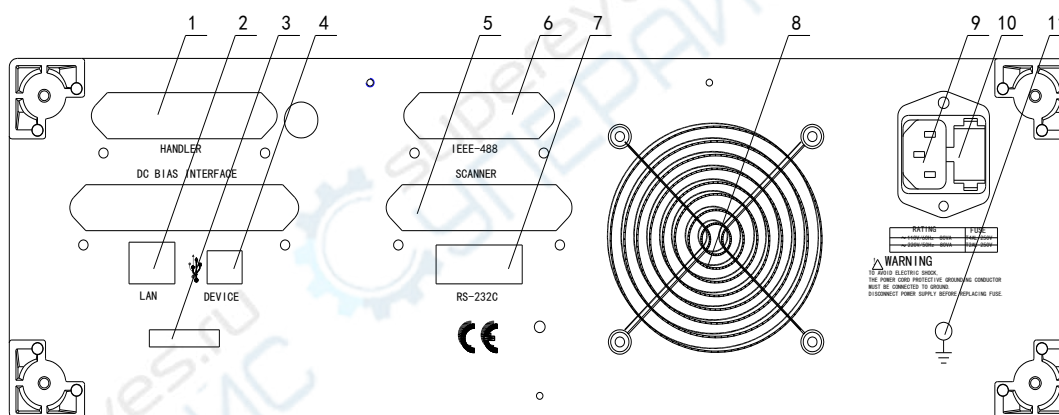


Figure 2-2 Rear panel

1) HANDLER interface

Handler interface is used to realize the sorting output of test results.

2) LAN interface

LAN interface is used to realize the control and the communication of network system.

3) Nameplate

Information about production date, instrument number and manufacturer etc..

4) USB DEVICE interface

The tester can communicate with PC through the USB DEVICE interface.

5) SCANNER interface

Control the transformer scanning box through SCANNER interface.

- 6) IEEE-488 interface
The tester can communicate with PC through GPIB interface.
- 7) RS232 interface
Series communication interface can realize the communication with PC.
- 8) Fan window
Heat elimination, maintaining the normal working temperature
- 9) Power socket
Input AC power.
- 10) Fuse base
Being used to install power fuse, protect instrument, and switch 110V/220V by changing the direction of core.

Warning: Be sure that the direction of fuse is accordant with power-supply voltage range before charging.

- 11) Ground terminal
The ground terminal is connected with instrument casing, being available for protecting or shielding ground connection.

2.3 Introduction to display zone

TH2829X applies a 65k, 7-inch TFT display. The display screen is divided into the following zones:

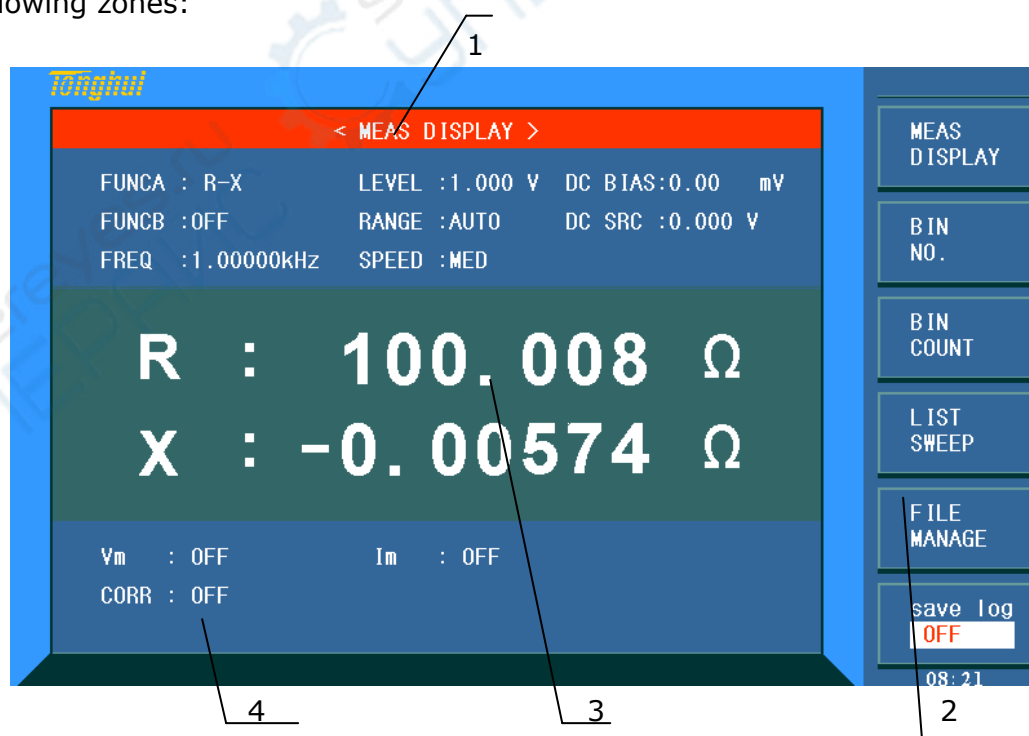


Figure 2-3 display zones

- 1) Display page name
Indicate the name of the currently displayed page.

- 2) Soft keys
The zone is used to display the function definition of soft key. The definition of soft key can be different as the difference of cursor's direction in the zone.
- 3) Test result/ condition display zone
In this zone, test result information and current condition are displayed.
- 4) Help
In this zone, information about system and user data input is displayed.

2.4 Main menu keys and corresponding displayed pages

2.4.1 [DISP]

When the LCR function is active, press this key-[**DISP**] to enter into the LCR measurement display page, the following soft keys will be displayed in the soft key zone.

<MEAS DISPLAY>

<BIN NO.>

<BIN COUNT>

<LIST SWEEP>

<TRACE SWEEP>

When the transformer measurement function is active, press this key-[**DISP**], the following soft keys will be displayed on the transformer measurement display page.

<TRANS DISP>

<JUDGE DISP>

<FILE MANAGE>

When the transformer scan function is active, press this key-[**DISP**], the following soft keys will be displayed on the transformer scan display page.

<DEVIATION DEDUCT SETUP>

When in FOCUS SCAN function, no function page will be displayed.

2.4.2 [SETUP]

When the LCR function is active, press this key-[**SETUP**], the following soft keys will be displayed in the soft key zone on the LCR measurement setup page.

<MEAS SETUP>

<CORRECTION>

<LIMIT TABLE>

<LIST SETUP>

<TRACE SETUP>

When the transformer measurement function is active, press this key-[**SETUP**],

the following soft keys will be displayed on the transformer measurement setup page.

<TRANS MEAS>
<LIMIT TABLE>
<CORRECTION>
<FILE MANAGE>

When the transformer scan function is active, press this key-**[SETUP]**, the following soft keys will be displayed on the transformer scan setup page.

<TRANS ID>
<PIN SETUP>
<TEST CONDITION>
<STATISTICS>
<FILE MANAGE>
<TOOLS>

When in FOCUS SCAN function, the setup pages are the same as the transformer scan setup pages.

2.4.3 [SYSTEM]

This key-**[SYSTEM]** is used to enter into the system setup page. The following soft keys will be available:

<SYSTEM SETUP>
<LAN SETUP>

2.5 Basic Operation

Basic operation of TH2829X is as follows:

- Use menu keys ([DISP], SETUP], [SYSTEM]) and soft keys to select the desired page.
- Use cursor keys ([←][→]) and the slide switch to move the cursor to the desired zone. When the cursor moves to a specified zone, the zone will become reverse expression.
- The soft key functions corresponding to the current zone of the cursor will be displayed in the soft key zone. Users can select and use the desired key. Numeric keys, [BACKSPACE] and [ENTER] are used to input data.

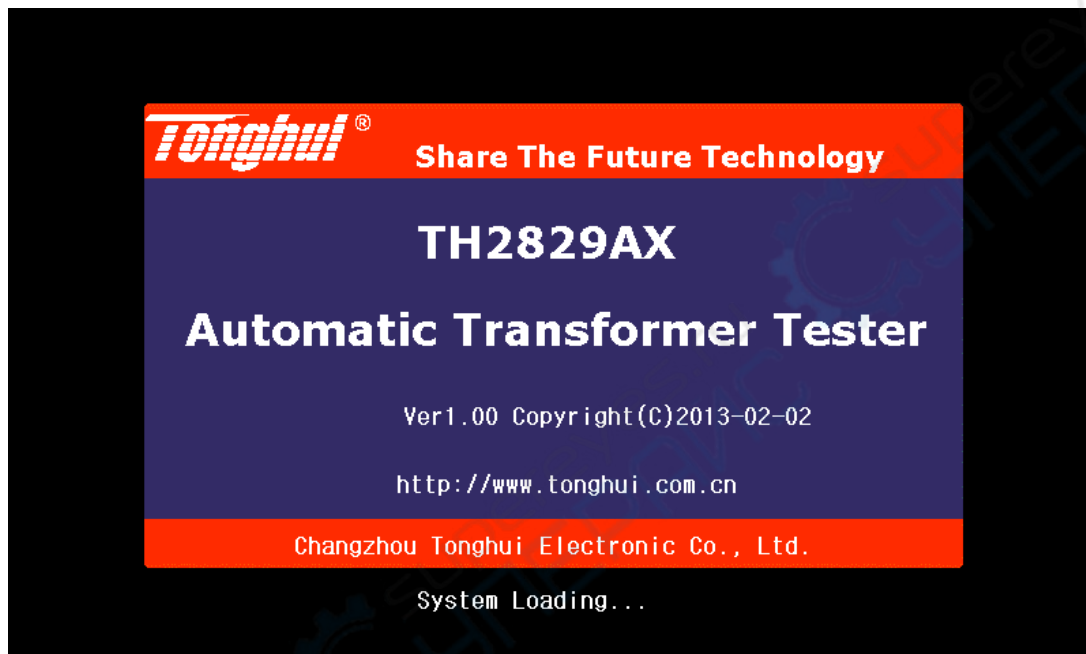
When a numeric key is pressed down, the usable unit soft key will be displayed in the soft key zone. You can choose a unit soft key or press [ENTER] to end data inputting. When [ENTER] is used to terminate data inputting, the unit of data will be set to a default unit, such as Hz, V or A. For example, the default unit for frequency is Hz.

2.6 Start the instrument

Plug in 3-line power plug.

Caution: Keep the power-supply voltage and frequency conform to above specifications. Power input phase line L, zero line N, ground line E should be the same as that of the instrument.

Press the power switch at the left corner on the front panel and then a boot screen will appear which displays our company logo, instrument model (TH2829AX), and the version number of the software (Ver1.0.0).



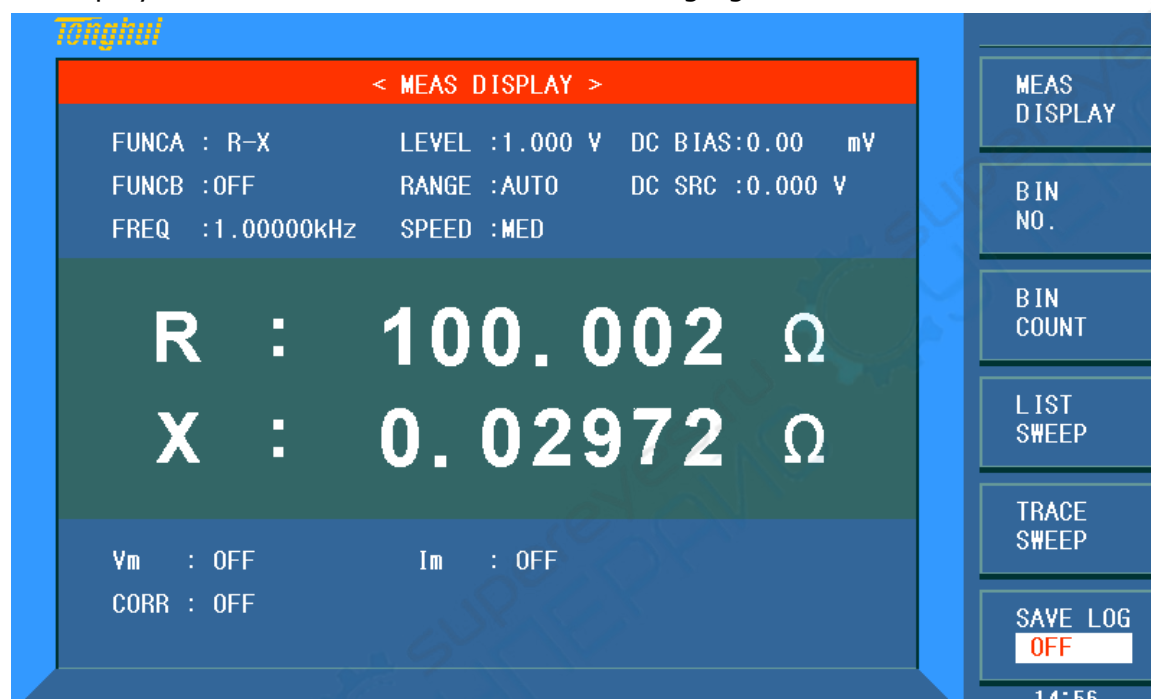
If the password protection function is on, users are required to input the password and then press [ENTER] to enter into the page of main menu.

Note: The instrument has a **default password-2829**. In your practical use, you can change it and set your own one. Please see <SYSTEM> section for more information.

Chapter 3 Introduction to [DISP]

3.1 <MEAS DISPLAY>

When the LCR function is applied, press [DISP], the <MEAS DISPLAY> page will be displayed on screen as shown in the following figure.



TH2829X-301

On this page, the test result is displayed in upper-case character. The measurement control parameters can be set in this page:

- Test function (FUNCA)
- Test function (FUNCB)
- Test frequency (FREQ)
- Test level (LEVEL)
- Test range (RANGE)
- Test speed (SPEED)
- DC bias (DC BIAS)
- DC voltage source (DC SRC)

There are 8 zones in this page: FUNCA, FUNCB, FREQ, LEVEL, RANG, SPEED, DC BIAS, DC SRC. The details will be discussed later.

The test result/ condition display zone shows the information about test condition. These conditions can be set on <Measure> page or <Correction> page.

- Signal source voltage/ current monitor (**Vm, Im**)
- Open, short, load correction ON/OFF status (**CORR**)

3.1.1 Test function

In a measurement period, TH2829X can test four parameters for an impedance component: two primary parameters and two secondary parameters. Parameters that can be tested are as follows:

Primary parameters

- |Z| (Module of impedance)
- |Y| (Module of admittance)
- L (Inductance)
- C (Capacitance)
- R (Resistance)
- G (Conductance)
- DCR (DC resistance)

Secondary Parameters

- D (Dissipation factor)
- Q (Quality factor)
- Rs (Equivalent Series Resistance ESR)
- Rp (Equivalent Parallel Resistance)
- X (Reactance)
- B (Admittance)
- θ (Phase Angle)

Test results of primary and secondary parameters are respectively displayed in two lines in the form of upper-case characters. The primary parameter displays in the upper line while the secondary parameter displays in the lower line.

Operation steps for setting test function:

1) Move the cursor to FUNCA zone, the following soft keys will be displayed on the screen.

- Cp—...→
- Cs—...→
- Lp—...→
- Ls—...→
- Z—...→
- ↓

2) Press the soft key corresponding to Cp—...→, the following parameters will be shown for your choice.

- Cp-D
- Cp-Q
- Cp-G
- Cp-Rp
- ←

Press the soft key corresponding to your desired parameter. Then press ← to return to upper soft key menu.

3) Press Cs—...→, the following parameters will be shown for your choice.

- Cs-D

- Cs-Q
- Cs-Rs
- ←

Press the soft key corresponding to your desired parameter. Then press ← to return to upper soft key menu.

4) Press Lp—...→, the following parameters will be shown for your choice.

- Lp-D
- Lp-Q
- Lp-G
- Lp-Rp
- ←

Press the soft key corresponding to your desired parameter. Then press ← to return to upper soft key menu.

5) Press Ls—...→, the following parameters will be shown for your choice.

- Ls-D
- Ls-Q
- Ls-Rs
- ←

Press the soft key corresponding to your desired parameter. Then press ← to return to upper soft key menu.

6) Press Z—...→, the following parameters will be shown for your choice.

- Z-d
- Z-r
- Z-Q
- ←

Press the soft key corresponding to your desired parameter. Then press ← to return to upper soft key menu.

7) Press ↓, another group of soft keys will be shown.

- Y—...→
- R—...→
- G—B
- DCR
- ←

Press the soft key corresponding to your desired parameter. Then press ← to return to upper soft key menu.

8) Press Y—...→, the following parameters will be shown for your choice.

- Y-d
- Y-r
- ←

Press the soft key corresponding to your desired parameter. Then press ← to return to upper soft key menu.

9) Press R—...→, the following parameters will be shown for your choice.

- R-X
- Rp-Q

- **Rs-Q**
- **←**

Press the soft key corresponding to your desired parameter. Then press **←** to return to upper soft key menu.

Parameter setup of **FUNCB** is the same as that of **FUNCA**, but **FUNCB** can be turned off (**OFF**).

3.1.2 Test range

Measurement range should be selected in accordance with the impedance value of the tested LCR component.

TH2829X has 9 AC measurement ranges: 10Ω, 30Ω, 100Ω, 300Ω, 1kΩ, 3kΩ, 10kΩ, 30kΩ, 100kΩ.

TH2829X has 13 DCR measurement ranges: 100mΩ, 300mΩ, 1Ω, 10Ω, 100Ω, 300Ω, 1kΩ, 3kΩ, 10kΩ, 30kΩ, 100kΩ, 300kΩ, 1MΩ.

Operation steps for setting test range:

- 1) Move the cursor to the range zone, the following soft keys will be displayed:
 - **AUTO** The soft key is used to set the range mode to **AUTO**.
 - **HOLD** The soft key is used to switch the **AUTO** mode to the **HOLD** mode. When the range mode is set to **HOLD**, the range will be locked in the current measurement range. The current measurement range will be displayed in the range zone.
 - **↑(+)** The soft key is used to increase the range under **HOLD** mode.
 - **↓(-)** The soft key is used to decrease the range under **HOLD** mode.
- 2) Use soft keys to set measurement range.

3.1.3 Test frequency

The measurement range of TH2829X ranges from 20Hz to 1MHz with an increase or decrease of 0.001Hz. When the test function is set as DCR, the **FREQ** zone will display "---".

The corresponding frequency of TH2829AX, TH2829A, TH2829B(BX) and TH2829C(CX) are respectively 20Hz~200kHz, 20Hz~300kHz, 20Hz~500kHz and 20Hz~1MHz.

Frequency range and test frequency point

Frequency range (F)	Test frequency point	Resolution
20Hz 《 F 》 99.99Hz	20.000Hz, 20.001Hz99.999Hz	0.001Hz
100Hz 《 F 》 999.9Hz	100.00Hz, 100.01Hz999.99Hz	0.01Hz
1kHz 《 F 》 9.999kHz	1.000kHz, 1.0001kHz9.9999kHz	0.1Hz
10kHz 《 F 》 99.99kHz	10.000kHz, 10.001kHz.....99.999kHz	1Hz
100kHz 《 F 》 1MHz	100.00kHz, 100.01 kHz.....1MHz	10Hz

Operation steps for setting test frequency:

TH2829X provides two methods to set measurement frequency. The first one is to use soft keys and the other one is to input data by using numeric keys.

1) Move the cursor to the **FREQ** zone, the following soft keys will be displayed.

- **↑(++)**

This is a coarse adjustment soft key used to increase the frequency. Press this key, the frequency will change as the following sequence: 20Hz, 100Hz, 1kHz, 10kHz, 100kHz, 200kHz.

- **↑(+)**

This is a fine adjustment soft key used to increase the frequency. Press this key, the frequency will switch between the following ones:

20 Hz	100 Hz	1 kHz	10 kHz	100 kHz	1MHz
25 Hz	120 Hz	1.2 kHz	12 kHz	120 kHz	
30 Hz	150 Hz	1.5 kHz	15 kHz	150 kHz	
40 Hz	200 Hz	2 kHz	20 kHz	200 kHz	
50 Hz	250 Hz	2.5 kHz	25 kHz	250 kHz	
60 Hz	300 Hz	3 kHz	30 kHz	300 kHz	
80 Hz	400 Hz	4 kHz	40 kHz	400 kHz	
	500 Hz	5 kHz	50 kHz	500 kHz	
	600 Hz	6 kHz	60 kHz	600 kHz	
	800 Hz	8 kHz	80 kHz	800 kHz	

- **↓(-)**

This is a fine adjustment soft key used to decrease the frequency. The selectable frequencies are the same as that of **↑(+)**.

- **↓(--)**

This is a coarse adjustment soft key used to decrease the frequency. The selectable frequencies are the same as that of **↑(++)**.

2) Use soft keys or numeric keys to select or set frequency. When using numeric keys to input the required frequency value, the soft key displays the available frequency units (Hz, kHz and MHz). You can use unit soft key to input unit and data. When using [ENTER] to input frequency, the default unit is Hz.

3.1.4 Test level

The measurement level of TH2829X can be set according to the RMS value of sine wave signal. The frequency of sine wave signal is the test frequency which is generated by inner oscillator. You can set measurement voltage or current. The level range is 5mV~2V. The corresponding current level mode value has a linear relationship with the internal resistance (For example, when the internal resistance is 30Ω, the corresponding current level is 166.7μ A ~ 66.7mA; when the internal resistance is 50Ω, the corresponding current level is 100μ A ~ 40mA; when the internal resistance is 100Ω, the corresponding current level is 50μ A ~ 20mA).

The output impedance of TH2829X signal source can be 30Ω, 50Ω or 100Ω. When

the test function is DCR, the **LEVEL** zone will display "---".

Level voltage and resolution

Level voltage	Resolution
5mVrms ~ 100mVrms	100 μ Vrms
100 mVrms ~ 1Vrms	1mVrms
1Vrms ~ 2Vrms	10mVrms

Note: The measurement current is the output one when the tested terminal is short, while the measurement voltage is the output one when the tested terminal is open.

The auto level control function of TH2829X can realize the measurement of constant voltage or current. The auto level control function (ALC) can be set as ON in <MEAS SETUP> page. When the auto level control function is set to ON, "*" will be displayed following the current level value. Refer to <MEAS SETUP> for more information.

Operation steps for setting test level:

TH2829X provides two methods to set the level of test signal source. The first one is to use soft keys, while the second one is to input data by numeric keys.

- 1) Move the cursor to LEVEL, the following soft keys will be displayed.
 - $\uparrow(+)$
This soft key is used to increase the level of test signal source.
 - $\downarrow(-)$
This soft key is used to decrease the level of test signal source.
- 2) Soft or numeric keys are used to select or set the test level. When numeric keys are used to input the desired level, the available units (mV, V, μ A, mA and A) will be displayed in the soft key zone. Users can use these unit keys to input unit and data. When [ENTER] is used to terminate the input of level, the default level is V or A.

NOTE: When you need to switch the level between current and voltage, numeric keys and unit soft keys must be used.

3.1.5 DC bias

TH2829X provides internal DC bias voltage from -10V to +10V. When the test function is selected as DCR, the bias zone will display "---".

Operation steps for setting DC bias:

TH2829X provides two methods to set the DC bias. The first one is to use soft

keys, while the second one is to input data by numeric keys.

- 1) Move the cursor to DC BIAS, the following soft keys will be displayed.
 - ↑(++)
Press this soft key to coarsely increase the output level of DC bias.
 - ↑(+)
Press this soft key to fine increase the output level of DC bias.
 - ↓(-)
Press this soft key to fine decrease the output level of DC bias.
 - ↓(--)
Press this soft key to coarsely decrease the output level of DC bias.
- 2) Soft or numeric keys can be used to select or set the DC bias source. When numeric soft keys are used to input the desired bias level, the available units ((mV, V, μ A, mA and A) will be displayed in the soft key zone. Users can use these soft keys to input unit or data. When [ENTER] is used to terminate the input of bias value, the default unit is V or A.

NOTE: When you need to switch the DC bias level between current and voltage, numeric keys and unit soft keys must be used.

Press the [DC BIAS] key on the front panel to allow the output of DC bias. When DC bias is permitted to output, the [DC BIAS] key will be lighted.

3.1.6 Test speed

The test speed of TH2829X is determined by the following factors:

- Integration time (A/D conversion)
- Average times (average times an individual test takes)
- Measurement delay (from startup to the start of measurement)
- Display time of test results

You can select test mode as FAST, MED or SLOW. Generally, the test result is more stable and accurate in SLOW test mode.

Operation steps for setting test speed:

- 1) Move the cursor to SPEED, the following soft keys will be displayed:
 - FAST
 - MED
 - SLOW
 - FAST+
- 2) Use above soft keys to set the test speed.

3.1.7 Tools

The test result of TH2829X is displayed as 6 floating-point digits. Decimal point lock function can make TH2829X output the test result in fixed way. Meanwhile

this function can change the displayed digits of test result. This displayed result can be selected to be shown in large character or tiny character.

Operation steps for tools

Set the display mode of decimal point in fixed mode according to the following operation steps. Also the character size of test result can be set.

- 1) Move the cursor to MEAS RESULT DISP zone, the following soft keys will be displayed:
 - **DECIMAL AUTO**
 - **DECIMAL HOLD**
 - **DECIMAL LOCATION +**
 - **DECIMAL LOCATION _**
 - **FONT**
- 2) Press **DECIMAL AUTO** to reset the decimal position of the primary or the secondary parameter test result to its default setting.
- 3) Press **DECIMAL HOLD** to lock the decimal location of primary parameter TEST result.
- 4) Press **DECIMAL LOCATION +** to increase the displayed digit by ten times.
- 5) Press **DECIMAL LOCATION _** to decrease the displayed digit by ten times.
- 6) Press **FONT**, the displayed result can be selected to be shown in LARGE, TINY or OFF.

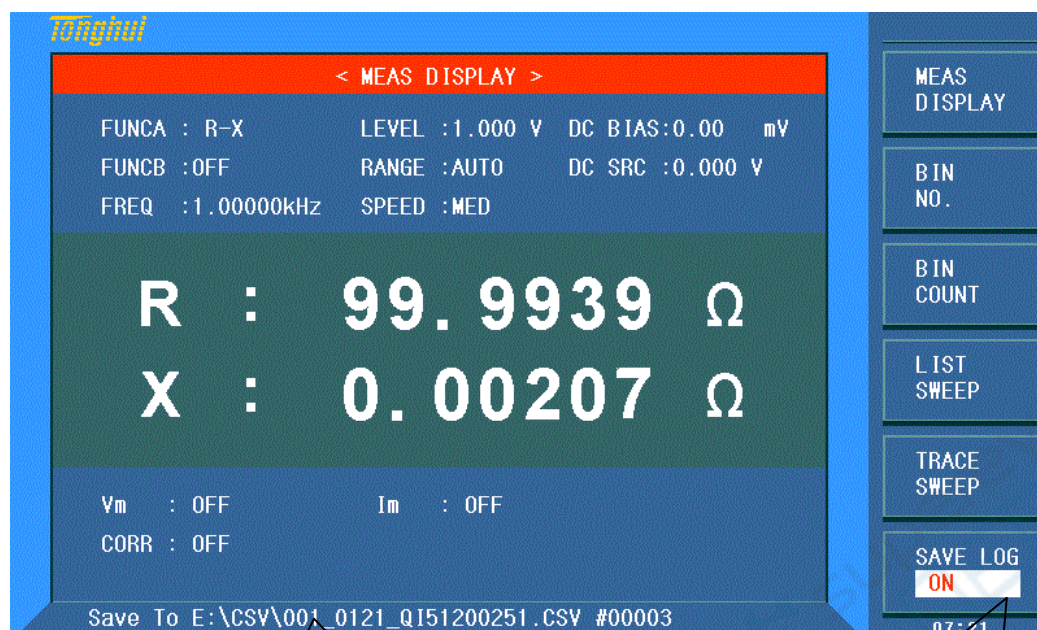
NOTE: Under the following circumstance, the function of decimal lock will be cancelled automatically to recover to floating decimal point status.

- **Test function is changed.**
 - **In deviation test, the deviation test mode (Δ ABS, Δ %, OFF) is changed.**
-

3.1.8 Save LCR test result by U disk

Users can use U disk to save LCR test result. The following test results and the saving format can be stored in U disk.

- 1) COMP-ON: FUNCA, primary parameter, secondary parameter, status (0 means normal), sorting result;
COMP-OFF: FUNCA, primary parameter, secondary parameter, status (0 means normal);
- 2) DCR: DCR, primary parameter;
- 3) LIST SWEEP: list, function, function parameter, primary parameter, secondary parameter, status (0 means normal), compare result (-1 means lower than the nominal value, while 1 means higher than the nominal value), line NO., sorting parameter, low limit and high limit;



TH2829x302

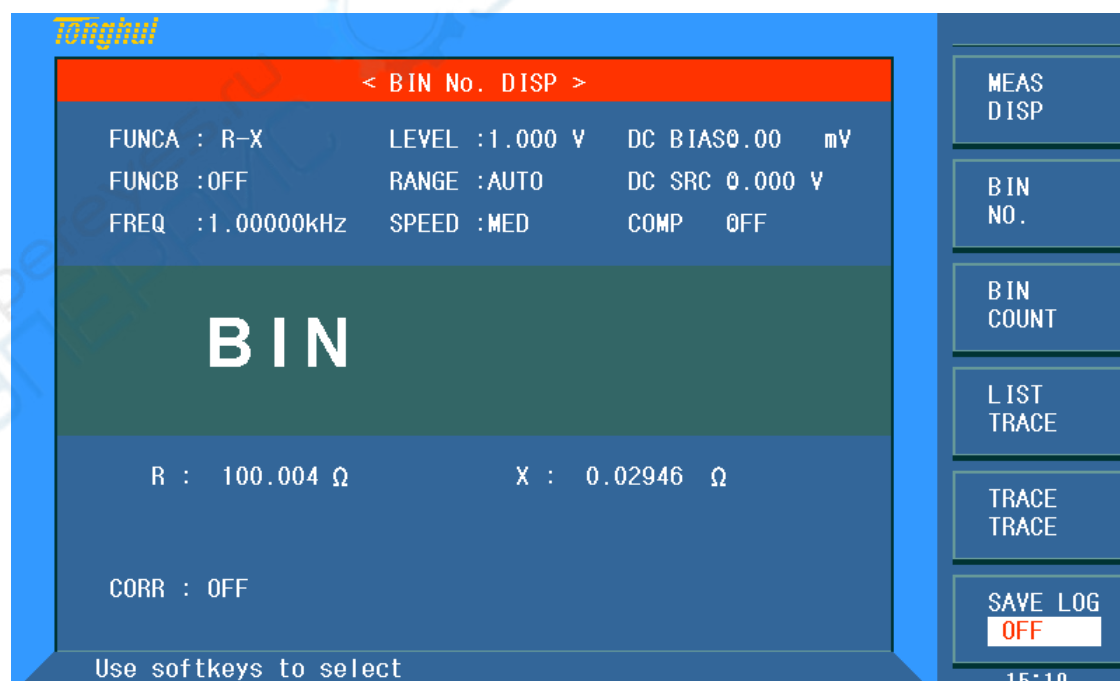
E:\CSV\ is the save path; 005 is the fifth, 0121 is the date, QI51200251 is the serial number.

#00003 is the saving times.

Save log function is available on MEAS DISP, BIN DISP, LIST DISP

3.2 <BIN NO. DISP>

Press [**DISP**] firstly and then the **BIN NO.** soft key to enter into <BIN NO. DISP> display page. On this page, bin NO. is displayed in upper-case character while the test result, in lower-case character.



TH2829x303

The following control parameters can be set on <**BIN NO. DISP**>.

■ Compare function ON/OFF (**COMP**)

There are 2 zones: **BIN NO. DISP**, **COMP**. Their detailed information will be introduced as below.

The following test conditions are displayed in the measurement result/condition zone. These zones cannot be set on this page but can be set on <**MEAS SETUP**>, <**MEAS DISP**> or <**CORRECTION**>.

- Test function (FUNCA)
- Test function (FUNCB)
- Test frequency (FREQ)
- Test level (LEVEL)
- Test range (RANG)
- Test speed (SPEED)
- DC Bias (DC BIAS)
- DC Voltage source (DC SRC)
- Open, short and load correction ON/OFF status (CORR)

3.2.1 Comparator function

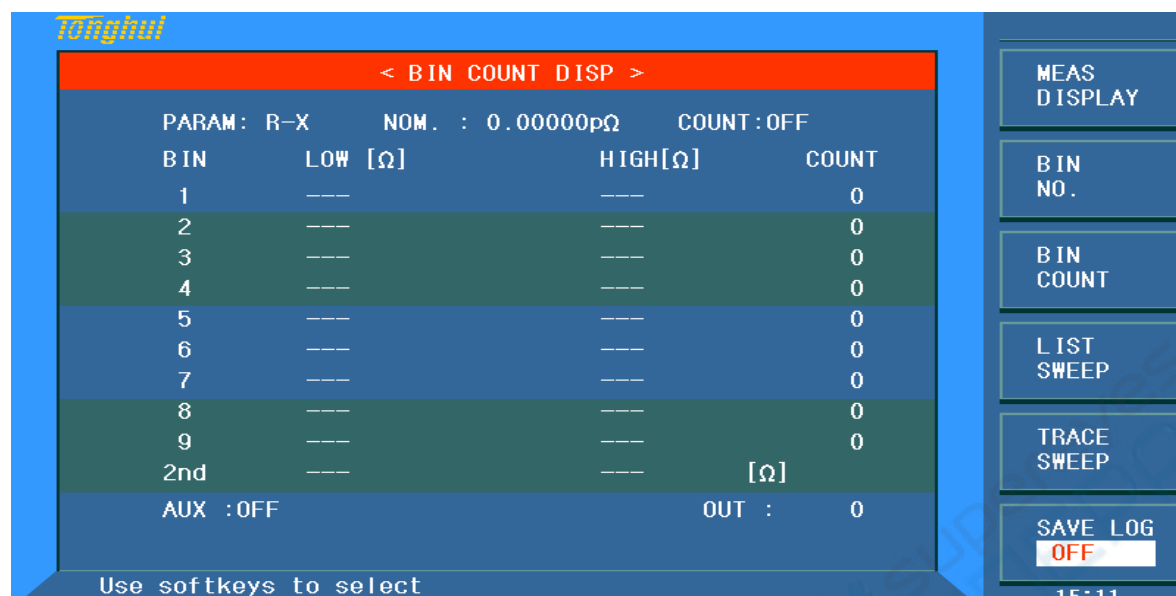
TH2829X has an inserted compare function which can divide DUT to up to 10 bins (from BIN1 to BIN9 and BIN OUT). Users can set 9 pairs of primary parameter limit and one pair of secondary bin limit. If the primary parameter of DUT is within the range of the bin limit but the secondary parameter is outside of the bin limit, the DUT will be sorted into the auxiliary bin. When TH2829X has installed an HANDLER interface, the compare result will be output into the automatic test system and further realizing auto-sorting test. These limits can only be set on the <**LIMIT TABLE SETUP**> page. Users can set the compare function to ON or OFF in the **COMP** zone.

Operation steps for compare function

- 1) Move the cursor to **COMP**, the following soft keys will be displayed.
 - ON
 - OFF
- 2) Select one of above soft keys to set the compare function as ON or OFF.

3.3 <BIN COUNT DISP>

Press [**DISP**] and then select the soft key of **BIN COUNT** to enter into the <**BIN COUNT**> page which shows the count of each bin.



TH2829x304

The following control parameters can be set on the <**BIN COUNT**> page.

- Count function ON/OFF (**COUNT**)

There are 2 zones are displayed in this page: **BIN COUNT DISP**, **COUNT**. The function of each zone will be introduced as below.

The following test result/ condition can be displayed in this page but cannot be set in this page. Users can set them on the <**LIMIT TABLE SETUP**> page.

- Test parameter (PARAM)
- Nominal value (NOM)
- Bin limit value (HIGH/ LOW)

3.3.1 PARAM

Parameter zone shows the "Function" parameter, if user selects primary and secondary parameter swap compare mode, the parameter will be displayed as swap parameter, such as: "Cp-D" is displayed as "D-Cp", which means the current D is compared as primary parameter while Cp is compared as secondary parameter.

3.3.2 NOM.

Nominal parameter is the nominal value used to make bin compare.

3.3.3 BIN

This zone shows the bin number of the limit list. "2nd" means the secondary parameter limit.

3.3.4 HIGH/LOW

This zone shows the high and the low limits of the limit list.

3.3.5 COUNT

This zone shows the count value of the current bin.

3.3.6 AUX

This zone shows the count value of the auxiliary bin.

3.3.7 OUT

This zone shows the count value of the out bin.

Operation steps for bin count function

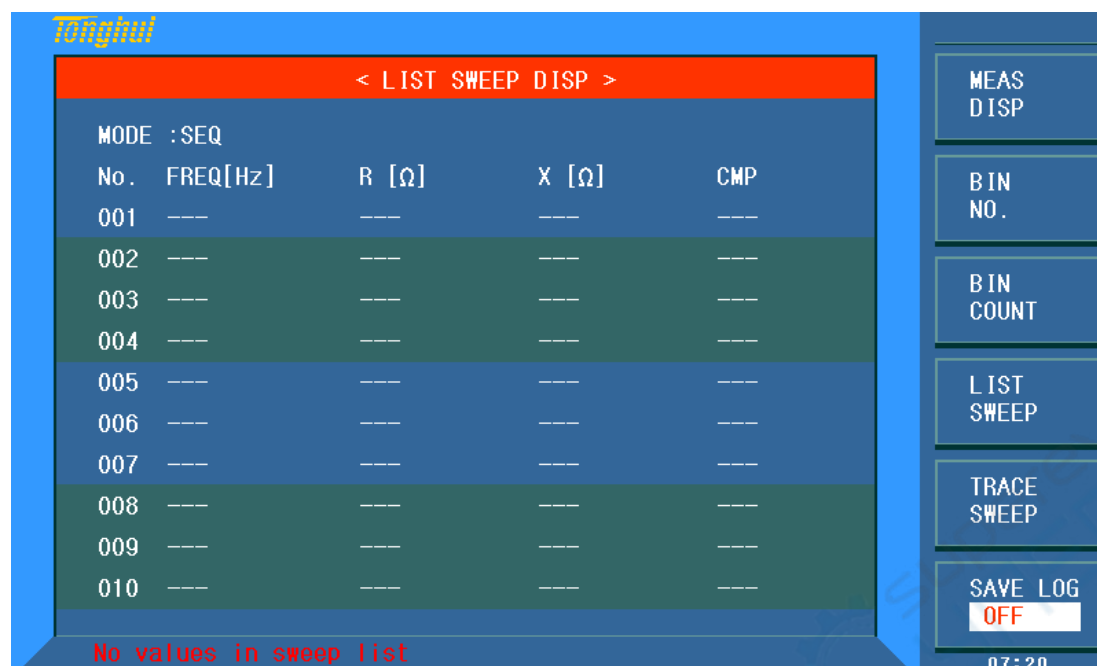
Execute the following operations to set the bin count function ON/OFF on <**BIN COUNT DISP**> page.

- 1) On < **BIN COUNT DISP**> page, move the cursor to **COUNT** zone, the following soft keys will be displayed.
 - **ON**
 - **OFF**
 - **RESET**
- 2) Press the soft key **ON** to turn on the count function.
- 3) Press the soft key **OFF** to turn off the count function.
- 4) Press the soft key **RESET**, "☺ : Reset count, Sure?" will be displayed in the help zone. Then the following soft keys will be displayed.
 - **YES**
 - **NO**
- 5) Press the soft key **YES** to reset all bin counts to 0.
- 6) Press the soft key **NO** to cancel the reset operation.

3.4 <LIST SWEEP DISP>

Up to 201 test frequencies, test levels or DC bias can be set on this page. Users can set the high and the low limits for each list-sweep test point. Auto sweep test will be made on these test points. And their test results will be compared with their limits.

Press down the menu key [**DISP**] and then the soft key **LIST SWEEP** to enter into the <**LIST SWEEP DISP**> page, shown as below.



TH2829x305

Test points will be automatically tested in a scanning mode. Meanwhile, comparison will be made between test results and limit values. In the process of list sweep test, "▶" denotes the current sweep test point. The following control parameters can be set on <LIST SWEEP DISP>.

- Sweep mode (**MODE**)

There are 2 zones on this page: **LIST SWEEP DISP** and **mode**. List sweep points cannot be set on this page but can be set on <LIST SWEEP SETUP>.

3.4.1 Sweep mode

The list sweep function of TH2829X can make automatic sweep test for up to 201 points' test frequencies, test levels or DC bias. Two sweep modes are available on TH2829X: SEQ and STEP. In SEQ mode, each press of [TRIGGER] will direct TH2829X to automatically test all list sweep test points. In STEP mode, each press of [TRIGGER] will direct TH2829X to test one list sweep point.

NOTE: When the trigger mode is set to INT, sweep test modes of SEQ and STEP will not be controlled by [TRIGGER]. When the trigger mode is set to MAN, [TRIGGER] can be used to trigger the list sweep test. In SER mode, press [RESET] key to pause the testing and press it again to start sweeping again.

Operation steps for setting the list sweep mode:

Set the sweep mode on the <LIST SWEEP DISP> page as **SEQ** or **STEP**.

- 1) On the <LIST SWEEP DISP> page, move the cursor to the **MODE** zone, the following soft keys will be displayed:

- **SEQ**
- **STEP**

- 2) Press **SEQ** to set the sweep mode as sequential sweep test mode.
- 3) Press **STEP** to set the sweep mode as single step sweep test mode.

3.4.2 FREQ (Hz)

This zone shows the currently swept parameter mode and its unit. What are right below this item are parameters of the sweep list.

3.4.3 Cp[F] D[]

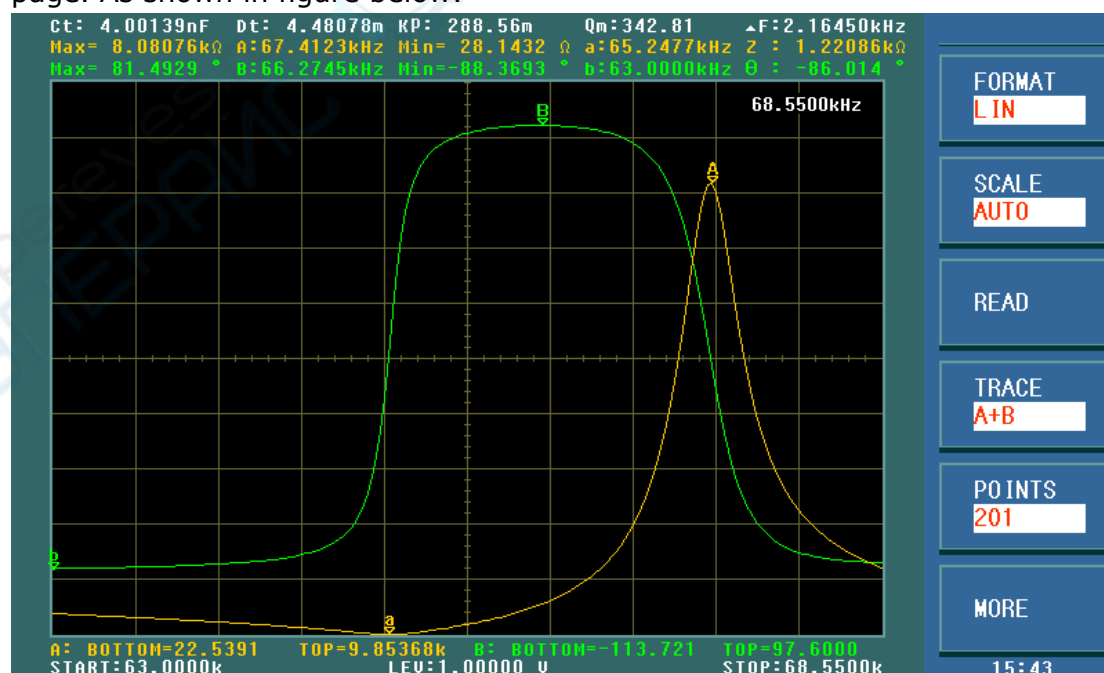
This zone is the currently swept Function parameter and its unit. What are right below this item are the sweep results.

3.4.4 CMP (Compare)

This zone indicates the compare results of the currently swept points. L means the result is lower than the standard and H is higher than the standard, while blank is medium.

3.5 <TRACE SWEEP>

Press **[DISP]** and Choose **TRACE SWEEP** to enter into the <TRACE SWEEP> page. As shown in figure below:



TH2829x306

Within the user preset mode, automatic sweeping of the components and parts can be conducted in linearity or logarithm mode with the points of 51, 101, 201, 401 and 801. The LCD screen will dynamically display how the primary and secondary parameters of the measured components change with the mode and condition. Any point of result within the sweep range can be read on the screen. Meanwhile, the MAX and MIN primary and secondary parameters of the measured components and its condition of corresponding mode within the sweep range will be displayed on the screen.

NOTE: when finishing setting the sweep condition, please press **[TRIGGER]** to start sweeping. Press **[RESET]** key to pause the testing and press it again to start sweeping again.

3.5.1 FORMAT

This zone is used to change the coordinate mode of sweeping.

LIN Choose this mode, now the sweep mode is increasing as linearity way, vertical coordinate is distributed as linearity way.

LOG Choose this mode, now the sweep mode is increasing as the long way with the base of 10, vertical coordinate is distributed as the long way with the base of 10.

3.5.2 SCALE

This zone is used to adjust the display scale of the sweep curve.

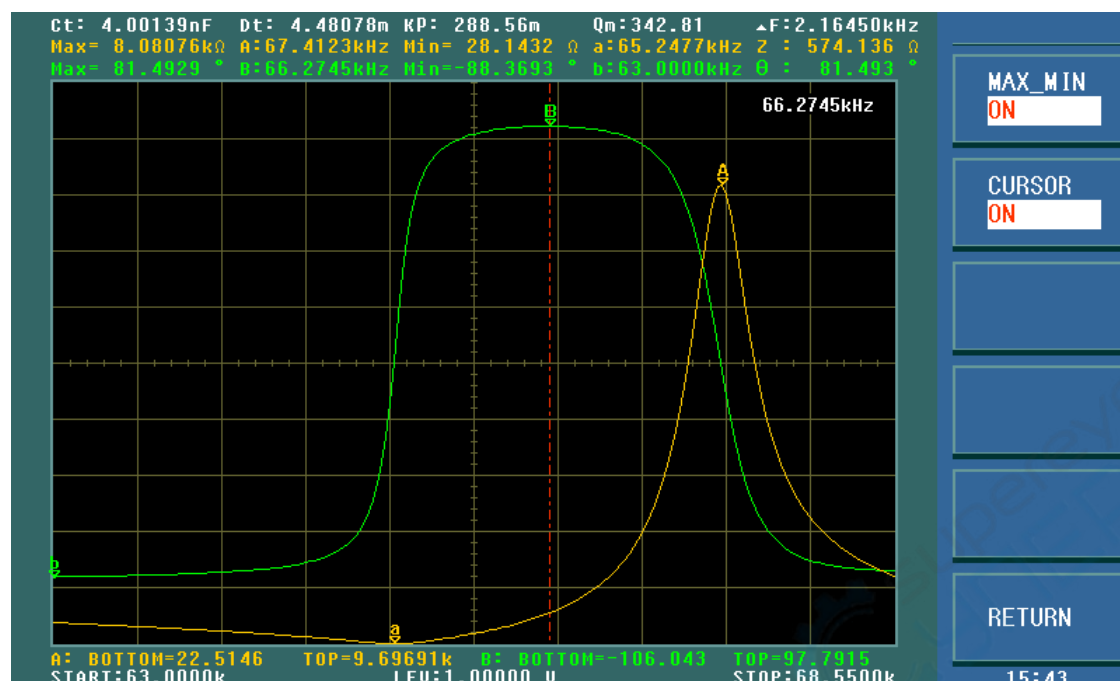
AUTO It can automatically adjust the display scale of the curve to fit the curve display area one time. After adjusting, the SCALE changes to HOLD state.

HOLD Now, it will hold the current display scale. Users should manually set the parameter of A MIN, A MAX, B MIN and B MAX in <TRACE SWEEP SETUP> page to adjust the display scale of the curve.

3.5.3 READ

Press this key to enter into the selection interface and select ON/OFF to decide whether to display the extreme value and the cursor.

Extreme value is the limit value of the primary and secondary parameters. The cursor is a red line. You can observe the value of the primary and secondary parameters in the same frequency by turning the rotary knob.



TH2829x307

3.5.4 TRACE

Press this key to select TRACE A (display the primary parameters only), TRACE B (display the secondary parameters only), TRACE A+B (display the primary and secondary parameters simultaneously).

3.5.5 POINTS

This parameter controls the sacn points. That is, the number of points stepped in the starting and ending conditions. System sets the points as 51, 101, 201, 401 and 801. The more points, the more precise the portrayed figure, but the sweep time will be longer. The default point is 201.

3.5.6 TRIGGER

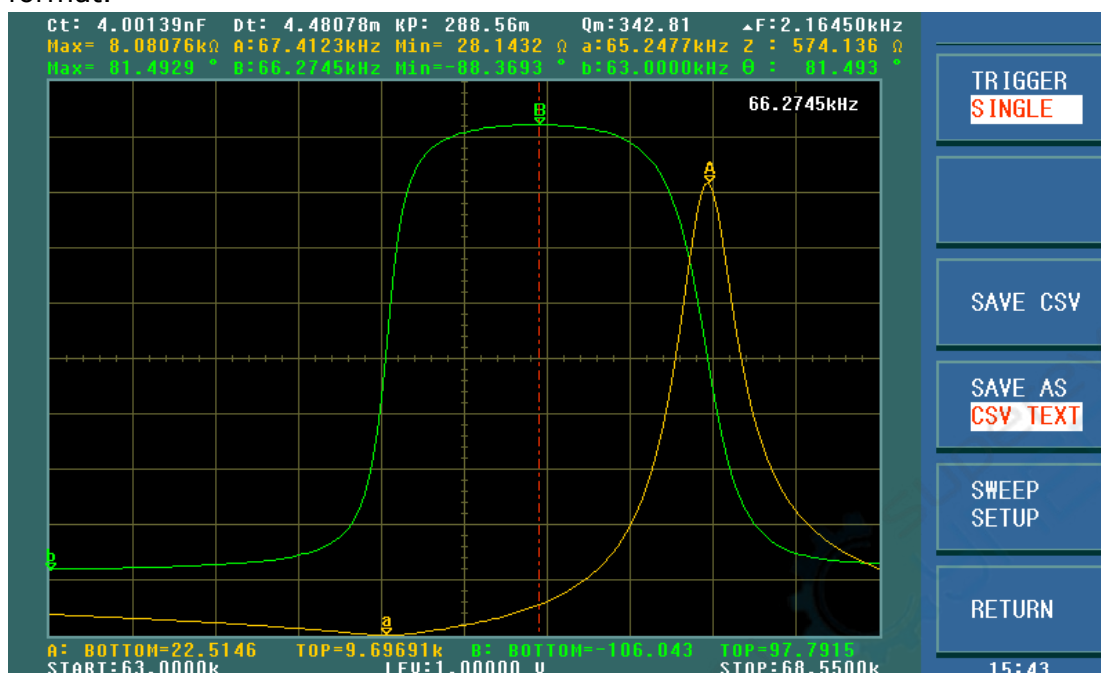
Press MORE on the TRACE interface, the option of TRIGGER will be displayed. SINGLE is single trigger, CONTINUE is continue trigger.

3.5.7 SAVE CSV & SAVE AS

Press MORE on the TRACE interface, the option of SAVE CSV & SAVE AS will be displayed. After selecting CSV TEXT or CSV DATA in SAVE AS, press SAVE CSV to execute.

CSV TEXT: save the test results to excel form in *.CSV format.

CSV DATA: save the test results in scientific notation to excel form in *.CSV format.



TH2829x308

When the user selects the sweep parameter as frequency and impedance, the instrument will display the parameters of some ultrasound components, the detailed parameter is as below:

Static capacitance value when C_t : 1kHz.

Static capacitance value when D_t : 1kHz.

Z_{min} and its corresponding frequency f_s (point a on the screen)

Z_{max} and its corresponding frequency f_p (point A on the screen)

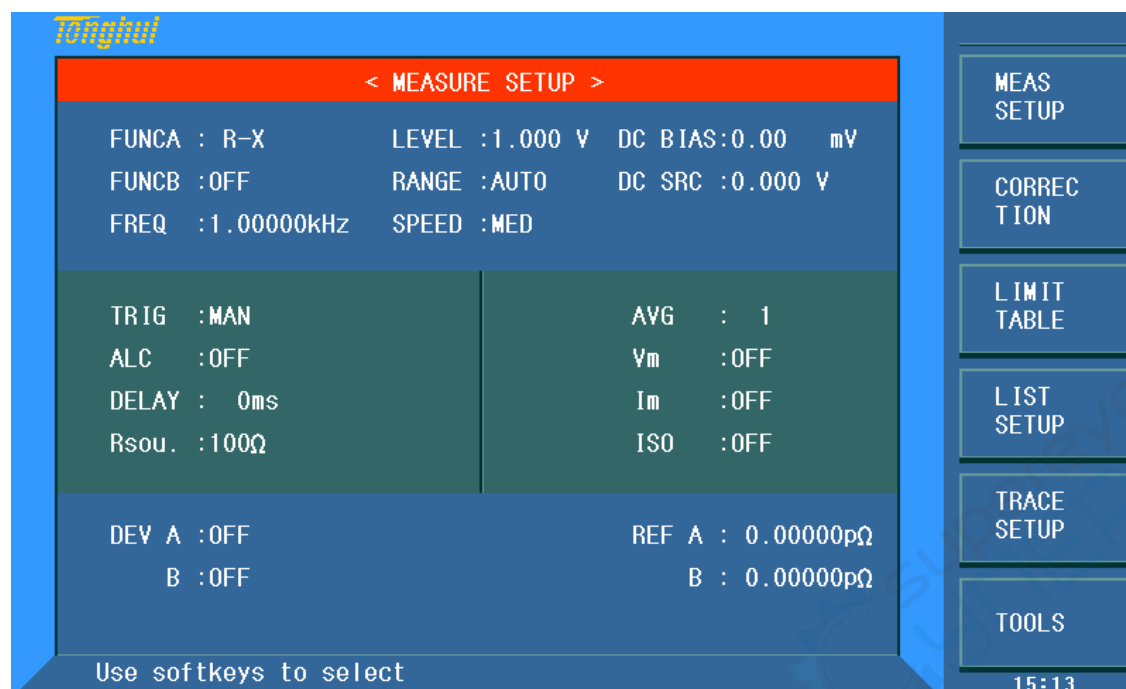
$$\Delta F = f_p - f_s$$

$$k_p \approx \sqrt{\frac{f_p - f_s}{f_s}} \times 2.51$$

$$Q_m \approx \frac{f_p^2}{2\pi f_s Z_{min} C^T (f_p^2 - f_s^2)}$$

3.6 <MEAS SETUP>

Press [**SETUP**] to enter into the <**MEASURE SETUP**> page shown as below:



TH2829x309

In this page, the following control parameters can be set. (Items in parenthesis can be set)

- Test function (**FUNCA**)
- Test function (**FUNCB**)
- Test frequency (**FREQ**)
- Test level (**LEVEL**)
- Test range (**RANGE**)
- Test speed (**SPEED**)
- DC Bias (**DC BIAS**)
- DC Voltage Source (**DC SRC**)
- Trigger Mode (**TRIG**)
- Auto Level Control (**ALC**)
- Delay Time (**DELAY**)
- Output Resistance (**Rsou.**)
- Average times (**AVG**)
- Voltage Level Monitor ON/ OFF (**Vm**)
- Current Level Monitor ON/ OFF (**Im**)
- Bias Current Isolation ON/ OFF (**ISO**)
- Deviation Test Mode A (**DEV A**)
- Deviation Test Mode B (**DEV B**)
- Deviation Test Reference Value A (**REF A**)
- Deviation Test Reference Value B (**REF B**)

Some zones listed below are as same as that on <MEAS DISP> page, so it is not necessary to introduce in this section, but others will be introduced briefly in the following sections.

- Test function (**FUNCA**)

- Test function (**FUNCB**)
- Test frequency (**FREQ**)
- Test level (**LEVEL**)
- Test range (**RANGE**)
- Test speed (**SPEED**)
- DC Bias (**DC BIAS**)
- DC Voltage Source (**DC SRC**)

3.6.1 Trigger mode

There are 4 trigger modes on TH2829X: INT, MAN, EXT and BUS.

When the trigger mode is set as INT, TH2829X will make sequential and repeated tests.

When the trigger mode is set as MAN, press [TRIGGER] once, TH2829X will make one test.

When the trigger mode is set as EXT, once the HANDLER interface receives a positive impulse, TH2829X will execute one measurement.

When the trigger mode is set as BUS, once the IEEE 488 interface receives a TRIGGER command, TH2829X will execute a test.

Note: In the process of testing, when TH2829X receives a trigger signal, it will be ignored. So the trigger signal should be sent after the test is done.

When optional HANDLER interface triggers TH2829X, the trigger mode is set as EXT.

Operation steps for the trigger mode setup

Perform the following operations to set the trigger mode.

- 1) Move the cursor to the **TRIGGER** zone, the following soft keys will be displayed:
 - **INT**
 - **MAN**
 - **EXT**
 - **BUS**
- 2) Use above soft keys to set the trigger mode.

3.6.2 Auto level control function

Auto level control function can adjust the real test level (voltage across or current through DUT) to the test level value. This function can guarantee the test voltage or current being constant.

When using this function, the test level can be set within the range below:

The range of constant voltage: $10 \text{ mV}_{\text{rms}}$ to 1 V_{rms}

The range of constant current: $100 \text{ }\mu\text{A}_{\text{rms}}$ to $10 \text{ mA}_{\text{rms}}$

NOTE: When the constant level function is valid, if the level exceeds above ranges, this function will be automatically set as OFF. The level value currently set is generally deemed as non-constant level value.

Operation steps for setting auto level control function

Execute the following steps and set the constant level function as ON or OFF.

1) Move the cursor to **ALC** zone, the following soft keys are displayed.

- **ON**
- **OFF**

2) Press **ON** to turn on the auto level control function.

3) Press **OFF** to turn off the auto level control function.

3.6.3 Bias current isolation function

Bias current isolation function can prevent the DC current from affecting the test input circuit. In **ISO** zone, users can set the bias current isolation function as ON or OFF. When the bias current isolation function is set as ON, the bias current flowing through DUT can reach 100mA. When the bias current isolation function is set as OFF, the bias current value allowed to flow through DUT is shown as figure 3-1, if the bias current flowing through DUT is over the value in figure 3-1, then instrument cannot work normally.

Figure 3-1 Max. DC bias current

Test range	10 Ω	30 Ω	100 Ω	300 Ω	1 k Ω	3 k Ω	10 k Ω	30 Ω	100 k Ω
Max. current	2 mA	2 mA	2 mA	2 mA	1 mA	300 μ A	100 μ A	30 μ A	10 μ A

Note: After bias current isolation function is turned on, the test accuracy will be influenced, so under the condition of low frequency and bias current, the bias current isolation function should be set as OFF.

Operation steps for setting the bias current isolation function:

Execute the following steps and set the bias current isolation function as ON or OFF.

1) Move the cursor to **ISO** zone, the following soft keys will be displayed.

- **ON**
- **OFF**

2) Press **ON** to turn on the bias current isolation function.

- 3) Press **OFF** to turn off the bias current isolation function.

3.6.4 Average

The AVERAGE function can calculate the average value of two or more test results. The average times can be set from 1 to 255 with an increase or decrease of 1. Operation steps for setting test average times.

- 1) Move the cursor to the **AVG** zone, the following soft keys are displayed.
 - **↑ (+)**
This key is used to increase the average times.
 - **↓ (-)**
This key is used to decrease the average times.
- 2) Use above soft keys to set the average times or use numeric keys and **[ENTER]** input average times directly.

3.6.5 Level monitor function

The level monitor function can monitor the real voltage across DUT or real current through DUT. The monitored voltage value is displayed in **Vm** zone on **<MEASURE DISP>** page while the monitored current value is in **Im** zone.

Note: The correction function can influence the level monitor function, so when the correction data changes the level monitor value will change. When the correction is switched between OPEN or SHOR or LOAD, the level monitor value will be influenced as well

Operation steps for setting the level monitor function

Execute the following operation steps to set the level monitor function as ON or OFF.

- 1) Move the cursor to **Vm** zone, the following soft keys will be displayed.
 - **ON**
 - **OFF**
- 2) Press **ON** to set the voltage monitor function as ON while press **OFF** to set the voltage monitor function as OFF.
- 3) Move the cursor to **Im** zone, the following soft keys will be displayed.
 - **ON**
 - **OFF**
- 4) Press **ON** to set the current level monitor function as ON while press **OFF** to set the current level monitor function as OFF.

3.6.6 Delay time

TH2829X trigger delay means the delay time from triggering to test-start. Delay function can set the trigger delay time. When the list sweep test function is used, all set delay time will be delayed at each sweep test point. The range of the trigger delay time can be set from 0s to 60s with 1ms as the resolution. The trigger delay function is great useful when the instrument is applied in an auto test system. When the instrument is triggered by HANDLER interface, the trigger delay time can ensure DUT and test terminal has a reliable contact.

Operation steps for setting the delay function

Execute the following steps to set the measurement delay time.

- 1) Move the cursor to the **DELAY** zone.
- 2) Use numeric keys to input delay time. After pressing a numeric key, the following unit keys will be displayed. These soft keys can replace **[ENTER]** to input delay time.
 - **msec**
 - **sec**

3.6.7 Output impedance

TH2829X provides four output impedances for your choice: 100 Ω , 50 Ω and 30 Ω . When testing inductance, it is necessary to input the same output impedance so as to make data comparison with other instruments.

Note: When an bias is selected, only 100 Ω is available.

Operation steps for setting output resistance

Execute the following operations to set output impedance

- 1) Move the cursor to the **Rsou** zone, the following soft keys will be displayed.
 - **100 Ω**
 - **50 Ω**
 - **30 Ω**
- 2) Press **100 Ω** to select the output impedance as 100 Ω . Press **30 Ω** to select the output impedance as 30 Ω .

3.6.8 Deviation test function

The deviation test function can make the deviation value (instead of real test value) be directly displayed on the screen. The deviation value is equivalent to the real test value subtracting the pre-set reference value. This function brings great convenience to observe variations of component parameters with temperature, frequency, bias. Deviation test function can be used for primary or secondary parameter or primary and secondary parameters meanwhile. The instrument provides two deviation test modes as below:

- Δ ABS (Absolute Deviation mode)

The deviation currently displayed is the difference between the test value of the DUT and the preset reference value. The formula of calculating ΔABS is as below:

$$\Delta\text{ABS} = X - Y$$

Where, X is the test value of DUT

Y is the preset reference value.

■ $\Delta\%$ (Percentage deviation mode)

The deviation currently displayed is the percentage of the difference between the test value of DUT and the preset reference value divided by the reference value. Its calculating formula is as below:

$$\Delta\% = (X - Y) / Y * 100[\%]$$

Where, X is the test value of DUT.

Y is the preset reference value.

Operation steps for setting deviation test function

- 1) Move the cursor to the **REF A** zone to input the reference value of the primary parameter, the following soft key will be displayed.

■ **MEAS**

When the reference component is connected with the test terminal, you should press **MEAS**. Then TH2829X will test the reference component and the test result will be automatically input as the value of **REF A**.

- 2) Use **MEAS** or numeric keys to input the reference value of primary parameter.
- 3) Move the cursor to the **REF B** to input the reference value of the secondary parameter, the following soft key will be displayed.

■ **MEAS**

When the reference component is connected to the test terminal, you should press **MEAS**. Then TH2829X will test the reference component and the test result will be automatically input as the value of **REF B**.

- 4) Use **MEAS** or numeric keys to input the reference value of the secondary parameter. If the reference values of primary and secondary parameters have been set in steps 2), you can skip this step.
- 5) Move the cursor to the **DEV A** zone, the following soft keys will be displayed:

■ **ΔABS**

■ **$\Delta\%$**

■ **OFF**

- 6) Use above soft keys to set the deviation mode of the primary parameter.
- 7) Move the cursor to the **DEV B** zone, the following soft keys will be displayed.

■ **ΔABS**

■ **$\Delta\%$**

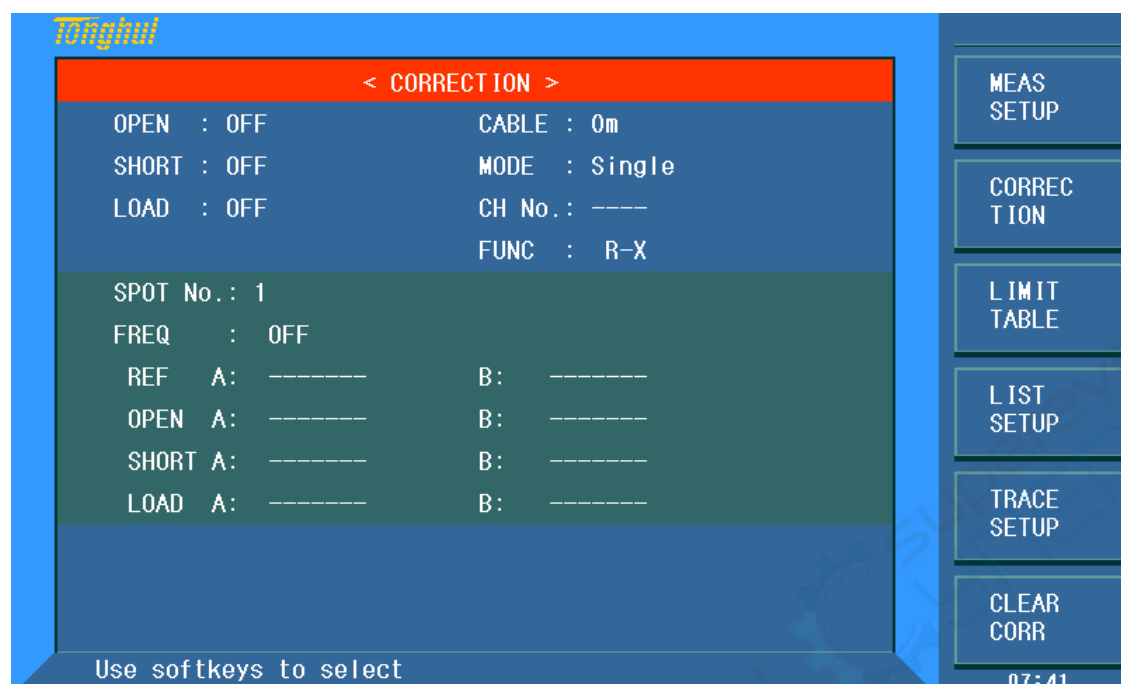
■ **OFF**

- 8) Use above soft keys to set the deviation mode of the secondary parameter.

3.7 <CORRECTION>

Press [**SETUP**] to select **CORRECTION** to enter into the **<CORRECTION>**

page.



TH2829x310

Open, short and load correction on the **<CORRECTION>** page can be used to eliminate the distribution capacitance, spurious impedance and other measurement errors. TH2829X provides two correction modes: the first one is executing open and short correction on all frequency points through interpolation method; the other one is executing open, short and load correction on the frequency point currently set. The following measurement control parameters can be set on the **<Correction>** page.

- Open correction (**OPEN**)
- Short correction (**SHORT**)
- Load correction (**LOAD**)
- Cable length selection (**CABLE**)
- Single/ multiple correction mode selection (**MODE**)
- Load correction test function (**FUNC**)
- SPOT No. (**1-201**)
- Frequency of the current spot no. (**FREQ**)
- Reference values for the current spot no. of load correction (**REF A**, **REF B**)
- Open value of the current spot no. (**OPEN A**, **OPEN B**)
- Short value of the current spot no. (**SHORT A**, **SHORT B**)
- Load value of the current spot no. (**LOAD A**, **LOAD B**)

There are 17 zones on this page: **CORRECTION**, **OPEN**, **SHORT**, **LOAD**, **CABLE**, **MODE**, **FUNC**, **SPOT No.**, **FREQ**, **REF A**, **REF B**, **OPEN A**, **OPEN B**, **SHORT A**, **SHORT B**, **LOAD A**, **LOAD B**. Each control function zone will be introduced in the following paragraphs.

Besides above setting zones, the **<CORRECTION>** page will also display the

following monitoring zones. The monitoring zones are similar with the setting zones, but the monitoring zones can only provide information and you cannot change state or parameter of these zones, except **REF A** and **REF B**.

The real test results of load correction can be tested on **FREQ**.

3.7.1 OPEN

The open correction function of TH2829X can eliminate the error caused by the stray admittance (G, B) parallel-connected with DUT, shown as figure 3-1.

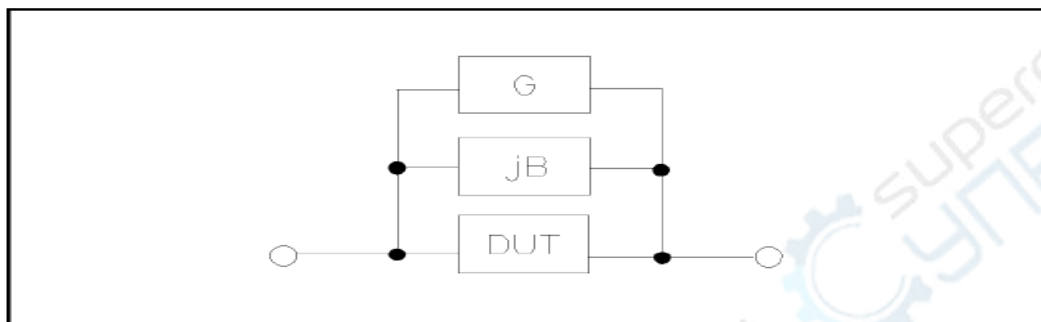


Figure 1 Stray Admittance

TH2829X adopts the following two kinds of open correction data:

- TH2829C(CX) will automatically make open correction test on 48 fixed frequency points no matter what the currently set frequency is. Based on the open correction data of the following 48 frequencies, the instrument can calculate all open correction data of different test ranges which corresponds to all test frequencies. Move the cursor to **OPEN** and then used **MEAS OPEN** to execute full frequency open correction. The highest test frequency of TH2829AX is 200kHz (41 points), the highest test frequency of TH2829A is 300kHz (43 points), the highest test frequency of TH2829B(BX) is 500kHz (45 points). The following is taking TH2829C as the example:

20 Hz	100 Hz	1 kHz	10 kHz	100 kHz	1MHz
25 Hz	120 Hz	1.2 kHz	12 kHz	120 kHz	
30 Hz	150 Hz	1.5 kHz	15 kHz	150 kHz	
40 Hz	200 Hz	2 kHz	20 kHz	200 kHz	
50 Hz	250 Hz	2.5 kHz	25 kHz	250 kHz	
60 Hz	300 Hz	3 kHz	30 kHz	300 kHz	
80 Hz	400 Hz	4 kHz	40 kHz	400 kHz	
	500 Hz	5 kHz	50 kHz	500 kHz	
	600 Hz	6 kHz	60 kHz	600 kHz	
	800 Hz	8 kHz	80 kHz	800 kHz	

- The correction point (total 201 points) can be set in **Spot No.** on **<CORRECTION>**. Move the cursor to **FREQ** to set the the open correction frequencies and then use the **MEAS OPEN** soft key to execute open correction on selected frequency.

Operation steps of open correction function

Open correction includes full frequency open correction which adopts imbedding

algorithm and single frequency open correction on 201 frequencies. Execute the following operation steps to make open correction. The single frequency open correction can refer to "Load correction"

1) Move the cursor to OPEN, the following soft keys will be displayed:

- **ON**
- **OFF**
- **MEAS OPEN**
- **DCR OPEN**

2) Connect test fixture to test terminal. The fixture is open and not connecting to any DUT.

3) Press **MEAS OPEN**, TH2829C will test the open admittance (capacitance and inductance) under 48 frequencies. It will take about 75 seconds to finish the open full-frequency correction. In the process of correction, the following soft key will be displayed:

- **ABORT**

This soft key can be used to terminate the current open correction operation and reserve the formal open correction data.

4) Press **DCR OPEN**, TH2829X will test the open-circuit resistance under the DC resistance function.

5) Press **ON** to turn on the function of open-circuit correction, then TH2829X will perform open-circuit correction calculation in the later testing process. IF **FREQ 1 ~ FREQ 201** are set as OFF, the open-circuit correction data of the current frequency will be calculated by imbedding algorithm. When **FREQ 1 ~ FREQ 201** are set as ON, the value of the current test frequency will be that of **FREQ 1, FREQ 2 or FREQ 201**, in this case, the open correction data of **FREQ 1, FREQ 2 or FREQ 201** will be used to the calculation of open correction.

6) Press **OFF** to turn off the open correction function. In later measurement, no open correction calculation will be taken.

3.7.2 SHORT

The short correction function of TH2829X can eliminate the error caused by spurious inductance (R, X) in serial with DUT as shown in figure 3-2.

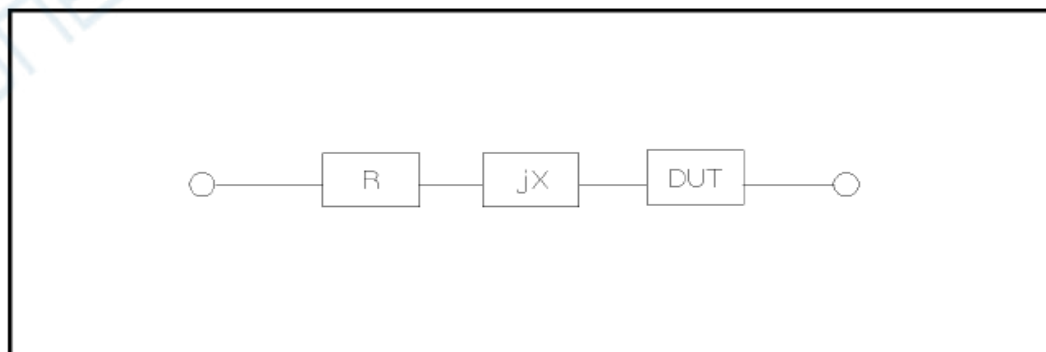


Figure 3-2 Spurious Inductance

TH2829X adopts two kinds of short correction data.

- No matter what the current frequency is, TH2829C(CX) will execute short correction test on the 48 fixed frequency points. Except the 48 frequencies, the instrument will adopt imbedding algorithm to calculate the short correction data of different test frequencies which correspond to different ranges. Move the cursor to the **SHORT** zone, and then use the **MEAS SHORT** soft key to execute full frequency short correction. The 48 fixed frequencies are the same as that in open correction. The highest test frequency of TH2829AX is 200kHz (41 points), the highest test frequency of TH2829A is 300kHz (43 points), the highest test frequency of TH2829B(BX) is 500kHz (45 points).
- The correction point (total 201 points) can be set in **Spot No.** on **<CORRECTION>**. Move the cursor to **FREQ** to set the short correction frequencies and then use the **MEAS SHORT** soft key to execute short correction on selected frequency.

Operation steps of short correction function

Short correction includes full frequency short correction which adopts imbedding algorithm and single frequency short correction on 201 frequencies. Execute the following operation steps to make short correction. The single frequency short correction can refer to "Load correction".

- 1) Move the cursor to the **SHORT** zone, the following soft keys will be displayed:
 - **ON**
 - **OFF**
 - **MEAS SHORT**
 - **DCR SHORT**
- 2) Connect the test fixture to the test ports. Short the test fixture by using short plate.
- 3) Press the **MEAS SHORT** soft key, TH2829C will test the short spurious impedances (resistance and reactance) of 48 frequencies. Short full frequency correction takes about 75 seconds and in this process, the following soft keys will be displayed.
 - **ABORT**This soft key can be used to cancel the current short correction operation and reserve the formal open correction data.
- 4) Press **DCR SHORT**, TH2829X will test the short resistance under DC resistance function.
- 5) Press **ON** to validate the short correction function. TH2829X will make short correction calculation in latter test. If FREQ 1 ~ FREQ 201 are set as OFF, the short correction function will calculate the short correction data of the current frequency. If FREQ 1 ~ FREQ 201 are set as ON and the current frequency is FREQ 1, FREQ 2 or FREQ 201, the short correction data of FREQ 1, FREQ 2 or FREQ 201 will be used in the calculation of the short correction.
- 6) Press **OFF** to turn off the short correction function. In latter test, no short correction calculation will be performed.

3.7.3 LOAD

By using transport coefficient between the real test value and the standard reference value at the preset frequency (**FREQ 1**, **FREQ 2** ... **FREQ 201**), the load correction of TH2829X can eliminate the test error. It is obvious that open, short, and load correction can be performed at preset frequencies. The 201 preset frequencies can be set in the setup zones of **Spot No.** and the frequency can be set in **FREQ** zone. The standard reference values can be set in the setup zones of **REF A** and **REF B**. The standard test function must be set in the **FUNC** zone before setting standard reference value. When the cursor moves to **FREQ**, the **MEAS LOAD** soft key will be displayed. Press **MEAS LOAD** to perform the load correction test.

Operation steps for setting load correction

According to the following steps, perform open/ short/ load correction test at preset frequencies.

- 1) Move the cursor to **FREQ**, the following soft keys will be displayed:
 - **ON**
Press this soft key to make the open/short/load correction data be available.
 - **OFF**
Press the soft key to make the open/short/load correction data be unavailable.
 - **MEAS OPEN**
Press this soft key to execute open correction at the current frequency.
 - **MEAS SHORT**
Press this soft key to execute short correction at the current frequency.
 - **MEAS LOAD**
Press this soft key to execute the load correction at the current frequency.
- 2) Press the soft key **ON**, the original preset open/short/load correction frequency is displayed on the frequency setting zone.
- 3) Use numeric keys to input the correction frequency. After pressing any numeric key, the available unit keys (**Hz**, **KHz** and **MHz**) will be displayed on the soft key zone and these soft keys can replace the **[ENTER]** key to input correction frequency. When the **[ENTER]** key is used to input correction frequency, the default unit is Hz.
- 4) Connect the test fixture to the test terminal.
- 5) Make the test fixture be open.
- 6) Press **MEAS OPEN** to perform open correction at the current set frequency. The test result (G, B) of the open correction test will be displayed in the help line (the bottom line).
- 7) Move the cursor to **OPEN**.
- 8) Press **ON** to perform the open correction calculation at preset frequency in latter measurements.

- 9) Move the cursor to **FREQ** to set the required correction frequency.
- 10) Make the test fixture be short.
- 11) Press **MEAS SHORT** to perform short correction at preset frequency. The test result (R, X) of the short correction will be displayed in the help line (the bottom line).
- 12) Move the cursor to **SHORT**.
- 13) Press **ON** to perform the short correction calculation at preset frequency in latter measurements.
- 14) Prepare a standard test component.
- 15) Move the cursor to **FUNC**.
- 16) Set the function parameters required to be set.
- 17) Move the cursor to **REF A**.
- 18) Use numeric keys and unit keys to input the primary reference values of the standard component.
- 19) Move the cursor to **REF B**.
- 20) Use numeric keys and unit keys to input the secondary reference value of the standard component.
- 21) Move the cursor to the corresponding **FREQ**.
- 22) Connect the standard component to the test fixture.
- 23) Press **MEAS LOAD**, the instrument will execute a load correction. The real test results of the standard component will be displayed in **LOAD A** and **LOAD B**.
- 24) Move the cursor to **LOAD**.
- 25) Press **ON** to perform load correction calculation at preset frequencies in latter measurements.

3.7.4 Load correction test function

When performing load correction, the reference value of the standard component is required to be input in advance. The test parameters of reference value should conform with the preset load correction test function.

Load correction function adopts the transport coefficient between the real test value of preset frequency and the standard reference value to eliminate the test error. Load correction function is only available for calculating transport coefficient.

Operation steps for setting load correction test function

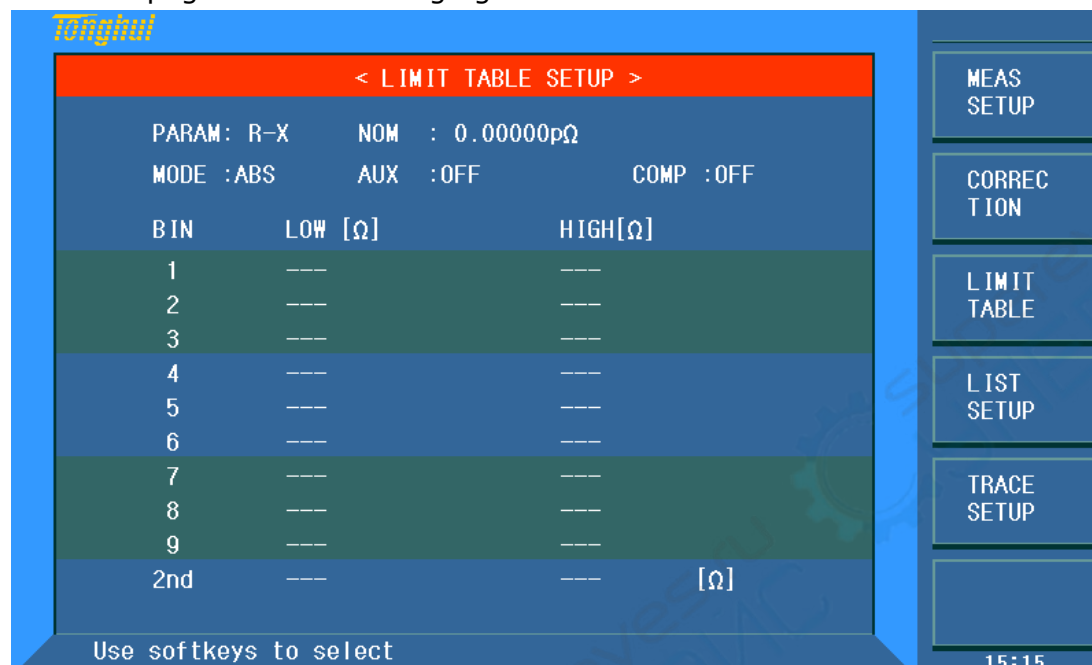
Refer to section 3.1.1.

3.7.5 Cable length selection

The available cable length is 0m, 1m, 2m and 4m.

3.8 <LIMIT TABLE>

Press [**SETUP**] and then **LIMIT TABLE** to enter into the **<LIMIT TABLE SETUP>** page as the following figure shown.



TH2829x311

Compare function can be set on this page. TH2829X can set 9 bin limits of primary parameters and one of secondary parameters. The tested result can be divided into up to 10 bins (BIN 1 to BIN 9 and BIN OUT). If the primary parameter of DUT is within the limit range from BIN1 to BIN9, but the secondary parameter is out of the limit range, in this case the DUT will be sorted into aux bin. When TH2829X installs the HANDLER interface and it is used in automatic sorting system, the compare function will be especially useful. The following limit parameter of compare function only be set on **<LIMIT TABLE SETUP>** page.

- Test parameter (**PARAM**)
- Limit mode of compare function (**MODE**)
- Nominal value (**NOM**)
- Auxiliary bin ON/OFF (**AUX**)
- Compare function ON/OFF (**COM**)
- Low limit of each bin (**LOW**)
- High limit of each bin (**HIGH**)

3.8.1 Swap parameter

The swap parameter function can swap the primary and the secondary parameter in **PARAM**. For example, when the test parameter is Cp-D, the swap parameter function can change the test parameter as D-Cp. Then user can set 9 pairs of

compare limits for D, but only 1 pair of compare limit can be set for Cp.

Operation steps for the swap parameter function

Execute the following operations to swap the primary and the secondary parameters.

- 1) Move the cursor to **PARAM**, the following soft key will be displayed.
 - **SWAP PARAM**
- 2) Press **SWAP PARAM** to swap the primary and the secondary parameters.
- 3) Press **SWAP PARAM** to swap the primary and the secondary parameter, which is to recover the formal setup.

3.8.2 Limit modes of compare function

Compare functions has two limit setup modes for primary parameters as shown in figure 3-3.

■ Tolerance mode

Under tolerance mode, set the deviation value of the nominal one (be set in the **NOM** zone) as the compare limit value. Deviation value has two modes: percentage deviation and absolute deviation.

■ Sequential mode

Under sequential mode, the range of the test value is the compare limit value. The compare limit value should be set in the order from small to large.

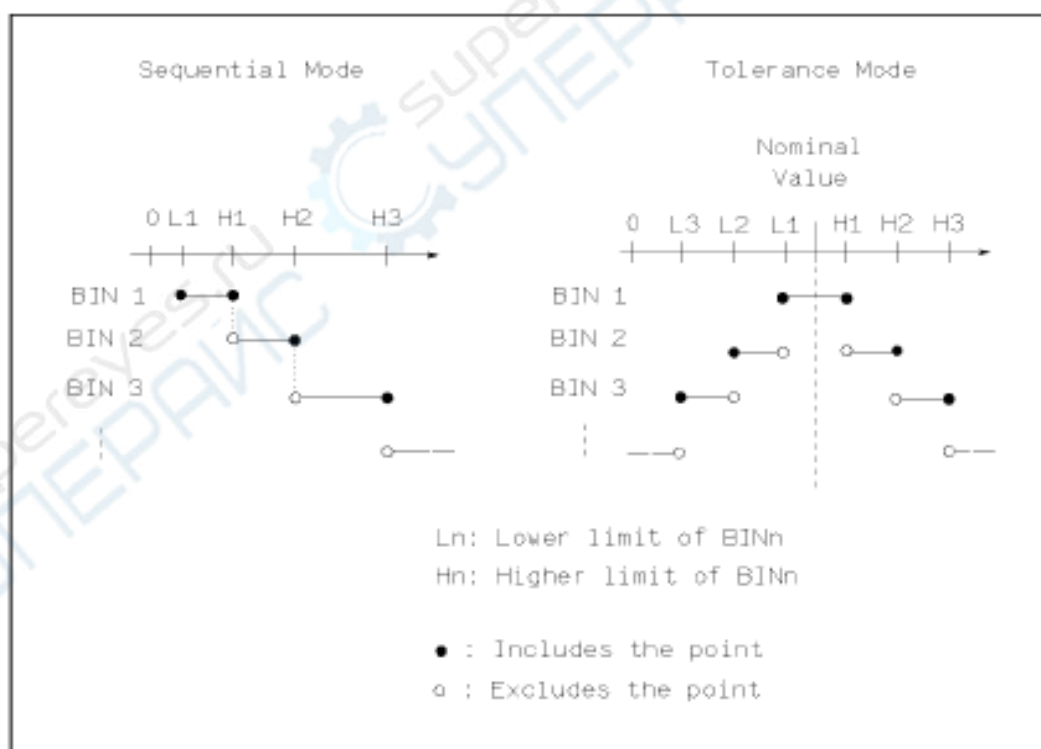


Figure 3-3 Tolerance mode and Sequential mode

Note: When setting limit values of tolerance mode, the error range should be set in the order from small to large. If the error range of BIN1 is the largest one, then all DUT will sort into BIN 1.

Under tolerance mode, the low limit is not necessary to be smaller than the nominal value and the high limit is not necessary to be larger than the nominal value. The limit range of each bin can be discontinues or overlapped.

Operation steps for setting the limit mode of the compare function

- 1) Move the cursor to the **MODE** zone, the following soft keys will be displayed.
 - **%TOL**
This soft key is used to set the limit mode as the tolerance mode of percentage deviation (% TOL).
 - **ABS TOL**
This soft key is used to set the limit mode as the tolerance mode of absolute deviation (ABS TOL).
 - **SEQ MODE**
This soft key is used to set the limit mode as sequential mode.
- 2) Use above soft keys to set the limit mode.

3.8.3 Set nominal value of tolerance mode

When the tolerance mode is selected as the limit mode of the primary parameter, it is necessary to set the nominal value. The nominal value can be any one within the display range.

When the sequential mode is selected as the limit mode the primary parameter, the nominal value can be set, but it is not necessary to use it under this mode.

Operation steps for setting the nominal value

- 1) Move the cursor to **NOM**.
- 2) Use numeric keys to input nominal value. After inputting the data, the following soft keys (**p, n, μ, m, k, M, *1**) can replace the **[ENTER]** key to input the nominal value. When using **[ENTER]** to input the nominal value, the default unit is the same as that input last time. Press ***1** to input nominal value, the instrument will select F, H or Ω as the default unit of the nominal value according to primary parameter.

3.8.4 Comparator function ON/OFF

TH2829X can set 9 bin limits of primary parameters and 1 bin limit of secondary parameters. The tested results can be sorted into 10 bins (BIN 1 to BIN 9 and BIN OUT) at most. If the primary parameter of DUT is within the limit range from BIN 1 to BIN 9, but the secondary parameter is out of the limit range, in this case the DUT will be sorted into aux bin. When TH2829X installs the HANDLER interface and it is used in the automatic sorting system, the compare function will be

especially useful.

Operation steps for setting the compare function ON/OFF

- 1) Move the cursor to **COMP**, the following soft keys will be displayed.
 - **ON**
 - **OFF**
- 2) Use above soft keys to set the compare function as ON or OFF.

3.8.5 Auxiliary bin ON/OFF

When it is necessary to sort the secondary parameters, the limits of the secondary parameter can be set in **HIGH** and **LOW** of 2nd.

Three cases may occur in the process of secondary parameter sorting:

- On **<LIMIT TABLE SETUP>** page, no low / high limit of the secondary parameters has been set.
- On **< LIMIT TABLE SETUP >** page, the low/high limit of secondary parameters has been set but **Aux** function is set as OFF.

In this case, only those components whose secondary parameters are qualified can perform primary parameter sorting according to sorting limits. If the secondary parameters are unqualified and the corresponding primary parameters are within limit ranges, those components will be sorted into BIN OUT.

- On **<Limit list setup>** page, the low/high limit of the secondary parameters has been set and the **Aux** function is set as ON.

If the primary parameter is out of the limit range, it is sorted into BIN OUT. If the primary parameter of DUT is within the limit range but its secondary parameter is out of the limit range, the DUT will be sorted into the **Aux** bin.

Note: When the secondary parameter only has low limit and the auxiliary bin is set as ON, if the primary parameter of DUT is within the limit range and the secondary parameter is smaller than or equal to its low limit, the DUT will be sorted into the auxiliary bin. When the secondary parameter only has high limit and the auxiliary bin is set as ON, if the primary parameter of DUT is within the limit range and the secondary parameter is larger than or equal to its high limit, the DUT will be sorted into the auxiliary bin.

Operation steps for setting the auxiliary bin function ON/OFF

- 1) Move the cursor to **AUX**, the following soft keys will be displayed.
 - **ON**
 - **OFF**
- 2) Use above soft keys to set the auxiliary function as ON or OFF.

3.8.6 HIGH/LOW

TH2829X can set bin limits of 9 primary parameters and one secondary parameter.

The test results can be sorted into 10 bins at most (BIN 1 to BIN 9 and BIN OUT). The high/low limits of primary parameters can be set in high limit and low limit of bins from BIN 1 to BIN 9. The limit of the secondary parameter can be set in **HIGH** and **LOW** of 2nd.

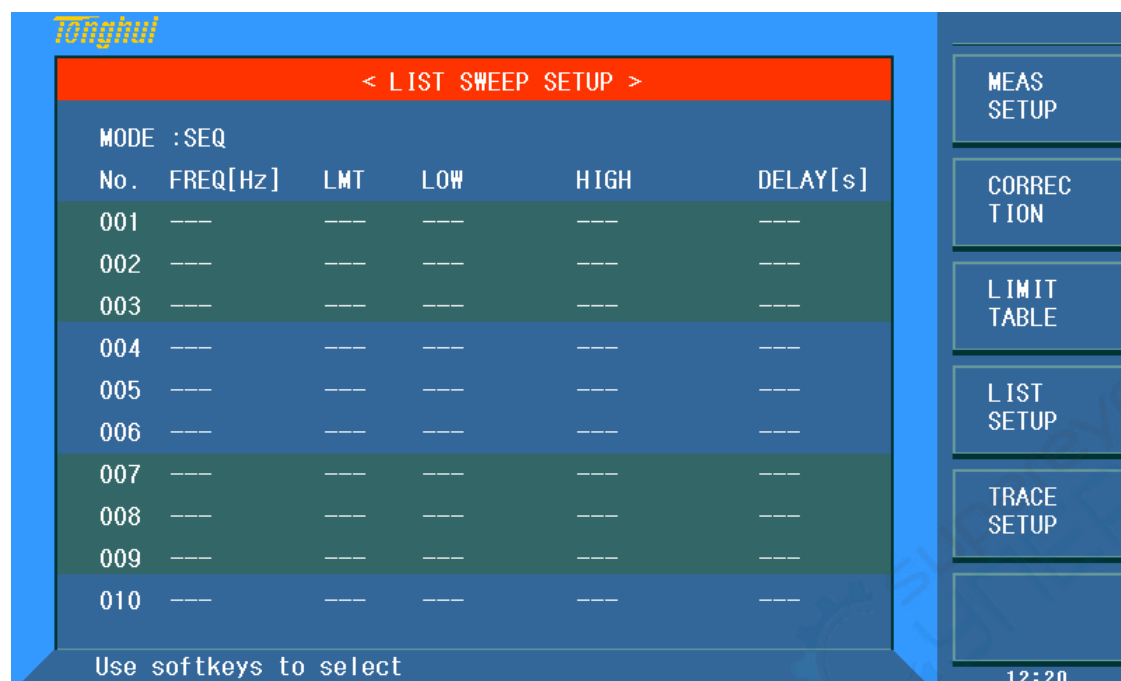
Operation steps for setting high/low limit

Execute the following steps to set sorting limits.

- 1) Set **PARAM** and **NOM** in the compare function menu and the limit **MODE** of the primary parameter.
- 2) Move the cursor to Low limit of BIN 1. If you select tolerance mode, the following operation steps should be from step 3 to step 6; if you select sequential mode, the following operation steps should be from step 7 to step 11.
- 3) User numeric keys to input low limit value in Low limit. After inputting the data, you can use (**p, n, μ , m, k, M, *1**) to replace **[ENTER]** to input the limit value. When **[ENTER]** is used, the default unit is the same as that being input last time. When pressing ***1**, the default unit will be F, H or Ω . After inputting limit value in **LOW** of BIN 1, the low limit of BIN 1 will be automatically set as - (absolute limit) and the high limit will be + (absolute limit).
- 4) The cursor will automatically move to **LOW** of BIN 2. Repeat step 4 until the limits of BIN 9 are input. Then the cursor will automatically move **LOW** of 2nd.
- 5) After inputting the low limit of the secondary parameter, the cursor will automatically move to **HIGH** of 2nd.
- 6) Input the high limit of the secondary parameter.
- 7) In Low limit of BIN 1, use numeric keys to input the low limit. After inputting the data, you can use (**p, n, μ , m, k, M, *1**) to replace **[ENTER]** to input the limit value. When **[ENTER]** is used to input the limit value, the default unit is the same as that being input last time. When pressing ***1**, the default unit will be F, H or Ω .
- 8) After inputting the low limit of BIN 1, the cursor will automatically move to **HIGH** of BIN 1. Input the high limit of BIN 1.
- 9) The cursor will automatically move **HIGH** of BIN 2. For the limit mode is sequential mode, the low limit of BIN 2 will be the high limit of BIN 1. Input the high limit of BIN 2.
- 10) Repeat step 9 until the high limit of BIN 9 is input. Then the cursor will automatically move to **LOW** of 2nd. Input the low limit of the secondary parameter.
- 11) The cursor will automatically move to **HIGH** of 2nd. Input the high limit of the secondary parameter.

3.9 <LIST SWEEP SETUP>

Press **[SETUP]** and then **LIST SWEEP** to enter into the **<LIST SWEEP SETUP>** page as shown below.



TH2829x312

The list sweep function of TH2829X can perform auto sweep test for the test frequency, test level or bias voltage of 201 points. On **<LIST SWEEP SETUP>** page, the following list sweep parameters can be set.

- Sweep mode (**MODE**)
- Sweep parameter setup (frequency [**Hz**], level [**V**], level [**I**], bias [**V**], bias [**I**])
- Sweep test point setup (sweep point)
- Selection of limit parameter (**LMT**)
- High/low limit (**HIGH**, **LOW**)
- Single point delay (**DELAY[s]**)

3.9.1 MODE

Mode menu is the same as the mode on <List sweep display> page.

3.9.2 Test parameter

Sweep parameters can be: frequency [Hz], level [**V**], level [**I**], bias [**V**], bias [**I**].

Operation steps for setting test parameter

- 1) Move the cursor the line following **MODE**; the following soft keys will be displayed.
 - **FREQ [Hz]**
 - **LEVEL [V]**
 - **LEVEL [A]**

- BIAS [V]
- BIAS [A]

2) Press one of above soft keys to select the list sweep parameter.

3.9.3 Sweep parameter setup

Move the cursor to the table to perform the setup of each sweep parameter: **FREQ (HZ)**, **LMT**, **HIGH**, **LOW** and **DELAY[s]**. Use numeric keys on the front panel to input the data of test frequency/level/bias and high/low limit used to compare, as well as the selected primary/secondary use to compare. After setting, if some inputs are unnecessary, you can execute the function of "Delete line" in the soft key zone to delete the corresponding value.

In the bottom of the **LMT** zone, parameter A indicates that the primary parameters of the measurement result are use to compare with the high and low limits of the table. Parameter B indicates that the secondary parameters of the measurement result are used to compare with the high and low limits of the table. "---" means no compare. The soft key zone has corresponding items. Press the soft key **LMT A**, "A" will be displayed in the **LMT** zone. When press the soft key **LMT B**, "B" will be displayed in the **LMT** zone. While press the soft key **OFF**, data in LMT zone and the corresponding high and low limits will be cleared and be displayed as "---".

Where, **DELAY** parameter indicates the delay time from the last measurement of each sweep step to the next sweep measurement. When the external bias current source (such as, TH1778) is connected, the delay time of the external bias current source can be used.

(NOTE: the delay time will be accumulated with the delay time in measurement display).

The 201 points correspond to 21 pages. Move the cursor to **No.** or **sweep point** zone, press soft key **PAGE** to lighten the arrow and use the rotary knob to switch the page. In **No.** zone, press **CLEAR TABLE** to clear all the data of 201 points. In **sweep point** zone, press **FILL LINEAR** or **FILL LOG** to input the sweep point data automatically.

3.10 TRACE SWEEP SETUP

Press **[SETUP]** and then **TRACE SETUP** to enter into the **<TACE SETUP>** page as the following figure shown.



TH2829x313

The display function page is used for the setup of trace sweep measurement parameters, including FUNC, MODE, START, STOP and coordination range of primary and secondary parameter.

3.10.1 Function

FUNC here is to set the sweep function. As shown in the above figure, R(Resistance) is the sweep primary parameter and X(Reactance) is the sweep secondary parameter. The specific operation, please see details in FUNCA in Chapter 3.1.1.

3.10.2 Level

LEVEL here is to set the sweep level. When the **MODE** is not set as LEVEL[V] or LEVEL[A], using this level when in trace sweep measurement. The specific operation, please see details in Chapter 3.1.4 LEVEL.

3.10.3 DC Bias

DC BIAS here is to set the sweep DC bias. When the **MODE** is not set as DC BIAS[V] or DC BIAS[A], the DC bias will be superimposed when in trace sweep measurement. The specific operation, please see details in Chapter 3.1.5 DC BIAS.

3.10.4 Trace

TRACE here is to set the sweep display trace. As shown in the above figure, trace A is R (resistance) and trace B is X (reactance).

3.10.5 Range

RANGE here is to set the sweep test range. Please see details in Chapter 3.1.2 Test range.

3.10.6 Scale

SCALE here is to set the display scale of sweep curve. Please see details in Chapter 3.5.2 SCALE.

3.10.7 Frequency

FREQ here is to set the sweep frequency. When the **MODE** is not set as FREQ [Hz], using this frequency when in trace sweep measurement. The specific operation, please see details in Chapter 3.1.3 FREQ.

3.10.8 Speed

SPEED here is to set the sweep speed. Please see details in Chapter 3.1.6 Test speed.

3.10.9 Format

FORMAT here is to set the sweep format mode, LIN and LOG. Please see details in Chapter 3.5.1 Format.

3.10.10 Trigger

TRIG here is to set the sweep trigger mode. Single is the single trigger, while continue is the continuous trigger.

3.10.11 Mode

MODE here is to set the sweep mode, including FREQ[Hz], LEVEL[V], LEVEL[A],BIAS[V], BIAS[A].

3.10.12 Start delay

START DEL here is to set the test delay when the bias source is TH1778 and the sweep mode is BIAS[A]. When the sweep starts or the slave machine of the bias source starts to superimpose the current, the test delay is enabled.

3.10.13 Point

POINT here is to set the sweep points, including 51, 101, 201, 401, 801.

3.10.14 Step delay

STEP DEL here is to set the delay time added in each sweep point.

3.10.15 Maximum and minimum

MAX_MIN here can set whether to display the maximum and minimum value of the primary and secondary parameter.

3.10.16 START

START here is to set the start condition of the trace sweep.

Select the number you need on keyboard (0~9/+, -/.) and press enter key or select a corresponding unit.

NOTE: when the cursor moves to "START", "STOP", "A MIN, A MAX, B MIN, B MAX", "TRACE SWEEP" will be displayed in the soft key zone; press the corresponding softkey to enter into the <TRACE SWEEP DISP> page).

3.10.17 END

END here is to set the end condition of the trace sweep.

Select the number you need on keyboard (0~9/+, -/.) and press enter key or select a corresponding unit.

NOTE: the END condition should be greater than the START condition, or error message will be displayed on the screen. Also, it should be less than the upper frequency limit. (The upper limit of 2829A is 300kHz, the upper limit of 2829B is 500kHz, the upper limit of 2829C is 1MHz).

3.10.18 Coordination range setting

The coordination range includes A Min, A Max, B Min, B Max, which is the

coordination range of primary and secondary parameter, which is used to formulate the frequency response curve drawing range.

Move cursor to zone, input operation: Select the number you need on keyboard (0~9/+, -/.) and press enter key or select a corresponding unit.

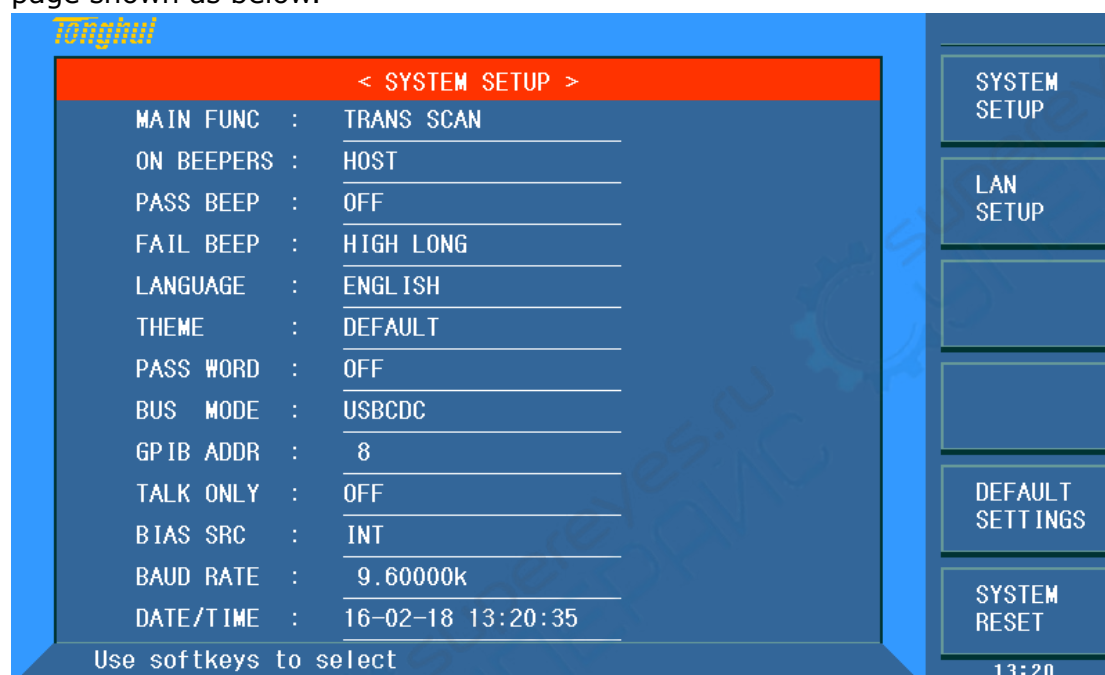
The instrument default is automatic coordinate. When the user lock the coordinate, manual setting is needed. As the same, the MAX should be greater than the MIN, or error message will be displayed on the screen.

A DIV and B DIV indicate the range of each cell in vertical coordinate. Adjusting the value can change the maximum and minimum value of vertical coordinate. At the same time, the distribution situation of the trace in coordinate system will also be changed. This parameter can help observe and analyze the trend of the sweep trace.

Chapter 4 [SYSTEM] and <FILE MANAGE>

4.1 <SYSTEM SETUP>

Press [**System**] and then **SYSTEM SETUP** to enter into the **<SYSTEM SETUP>** page shown as below.



TH2829x401

On this page, most system setup items are displayed, such as instrument main function, beeper, PASS beeper, FAIL beeper, language, theme, PASS word, bus mode, GPIB address, TALK only, Bias SRC, baud rate, data/time.

4.1.1 MAIN FUNC

The function of this zone is to control and display available instrument functions.

Operation steps for setting the instrument main function

1) Move the cursor to **MAIN FUNC**, the following soft keys will be displayed.

- **LCR**

This soft key is used to select the component measurement function.

- **TRANS SINGLE**

This soft key is used to select the transformer stand-alone test function.

- **TRANS SCAN**

This soft key is used to select the transformer scanning test function.

- **FOCUS SCAN**

This soft key is used to select the transformer focus scanning test function

4.1.2 ON BEEPERS

This zone is used to control and display the beeper source.

Operation steps for selecting beeper

- 1) Move the cursor to **Beeper**, the following soft keys will be displayed.
 - **MASTER**
This soft key is used to select the instrument as the beeper source.
 - **SCANNER**
This soft key is used to select the scanner as the beeper source (available only when TH2829X connects a transformer scanning box).
 - **ALL**
This soft key is used to select both the instrument and the scanning box as the beeper source.

4.1.3 PASS BEEP

This zone is used to control and display the beep mode when the test result is qualified.

Operation steps for setting **PASS BEEP**

- 1) Move the cursor to **PASS BEEP**, the following soft keys will be displayed.
 - **HIGH LONG**
This soft key is used to select high and long beep.
 - **HIGH SHORT**
This soft key is used to select high and short beep.
 - **LOW LONG**
This soft key is used to select low and long beep.
 - **TWO SHORT**
This soft key is used to select two low and short beeps.
 - **OFF**
This soft key is used to set the pass beep function OFF.

Note: In the scanning box, the potentiometer is used to adjust the volume, so when selecting **SCANBOX** as the beep source, you can only control the volume to be long and short but not high and low.

4.1.4 FAIL BEEP

This zone is used to control and display the beep mode as **FAIL BEEP** when the test result is unqualified.

Operation steps for setting **FAIL BEEP**

- 1) Move the cursor to **FAIL beep**, the following soft keys will be displayed.

- **HIGH LONG**

This soft key is used to select high and long beep.

- **HIGH SHORT**

This soft key is used to select high and short beep.

- **LOW LONG**

This soft key is used to select low and short beep.

- **TWO SHORT**

This soft key is used to select two low and short beeps.

- **OFF**

This soft key is used to set the fail beep mode OFF.

Note: In scanning box, the potentiometer is used to adjust the volume, so when selecting SCANBOX as the beep source, you can only control the beep to be long and short but not high and low.

4.1.5 LANGUAGE

This zone is used to control and display the current language mode of the operating instrument.

Operation steps for setting language

1) Move the cursor to Language, the following soft keys will be displayed.

- English

This soft key is used to select English as the operation language.

- Chinese

This soft key is used to select Chinese as the operation language.

4.1.6 THEME

This zone is used to change the current display color of the screen.

Operation steps for setting the theme

1) Move the cursor to THEME, the following soft keys will be displayed.

- DEFAULT

This soft key is used to select the default background, font and color.

- THEME 1

This soft key is used to select the first extra background, font and color.

- THEME 2

This soft key is used to select the second extra background, font and color.

4.1.7 PASS WORD

This zone is used to display the password-protection mode.

Operation steps for setting the password

1) Move the cursor to Password, the following soft keys will be displayed.

- **OFF**

This soft key is used to turn off the password protection mode.

- **Hold SYSTEM**

This soft key is used to turn on the password protection function including file protection and starting up password.

- **Hold FILE**

This soft key is used to protect user's file.

- **MODIFY**

This soft key is used to modify the password. The operation steps are as follows:

Press **MODIFY** to input a new password. After inputting, a prompt information will appear on the screen to prompt you to confirm the new password. Input the new password again till the modification finishes.

Note: The default password is 2829.

- **Hold SETUP**

This soft key is used to restrict the modification operation of the setup files. This operation can only be switched between DISP and SYSTEM.

4.1.8 BUS MODE (Reserved function)

This mode is used to select RS232C, GPIB, LAN, USBTMC or USBCDC.

Operation steps for setting bus mode

1) Move the cursor to **Bus**, the following soft keys will be displayed.

- **RS232C**

- **GPIB**

- **LAN**

- **USBTMC**

- **USBCDC**

- **RS485**

2) Use above soft keys to select the required interface bus.

Note: GPIB optional must be installed before GPIB mode is available.
When using RS485, GPIB address will be used as the local address.

4.1.9 GPIB ADDR (Reserved function)

This zone is used to control and display the current GPIB address(when using

RS485, use RS485 address).

Operation steps for setting GPIB address:

- 1) Move the cursor to **GPIB ADDR**, the following soft keys will be displayed.
 - \uparrow (+)
This soft key is used to increase the GPIB address.
 - \downarrow (-)
This soft key is used to decrease the GPIB address.

4.1.10 TALK ONLY

The Talk only function is used to control the instrument to send each measurement result to bus through its interface of RS232C, GPIB, LAN, USBTMC, USBCDC or RS485. When the talk only function is ON, the instrument cannot be controlled by PC.

Operation steps for setting the talk only function

- 1) Move the cursor to **TALK ONLY**, the following soft keys will be displayed.
 - ON
 - OFF
- 2) Press **ON** to turn on the talk only function or **OFF** to turn off this function.

4.1.11 BIAS SRC

Bias source is used to select the DC bias power. The instrument provides 3 kinds of bias source as shown below:

- INT mode

The standard DC bias voltage source is from -10V to +10V and the DC bias current source is from 0 to 100mA.

NOTE: When the DC bias source is in use, only the output impedance of 100 Ω can be used.

- OPT mode

The optional DC bias source can provide internal DC bias current source (0~1A).

NOTE: TH2901-1A optional must be installed, then the mode can be supported.

- TH1778 mode

When the instrument adopts the external bias source to perform on-line test, TH1778 mode should be selected.

NOTE: TH1778 must be connected, then this mode can be supported.

Operation steps for setting bias source

- 1) Move the cursor to **BIAS SRC**, the following soft keys will be displayed.
 - **INT**
 - **OPT**
 - **TH1778**
- 2) Press **INT** to select the INT bias source.
- 3) Press **OPT** to select the OPT bias source.
- 4) Press **TH1778** to select the TH1778 bias source.

4.1.12 BAUD RATE

Baud rate is used select the baud rate of the RS232C interface. The available baud rate of this instrument is from 9.600k to 115.200k.

Operation steps for setting the baud rate

- 1) Move the cursor to **BAUD RATE**, the following soft keys will be displayed.
 - **↑ (+)**
This soft key is used to increase the baud rate.
 - **↓ (-)**
This soft key is used to decrease the baud rate.

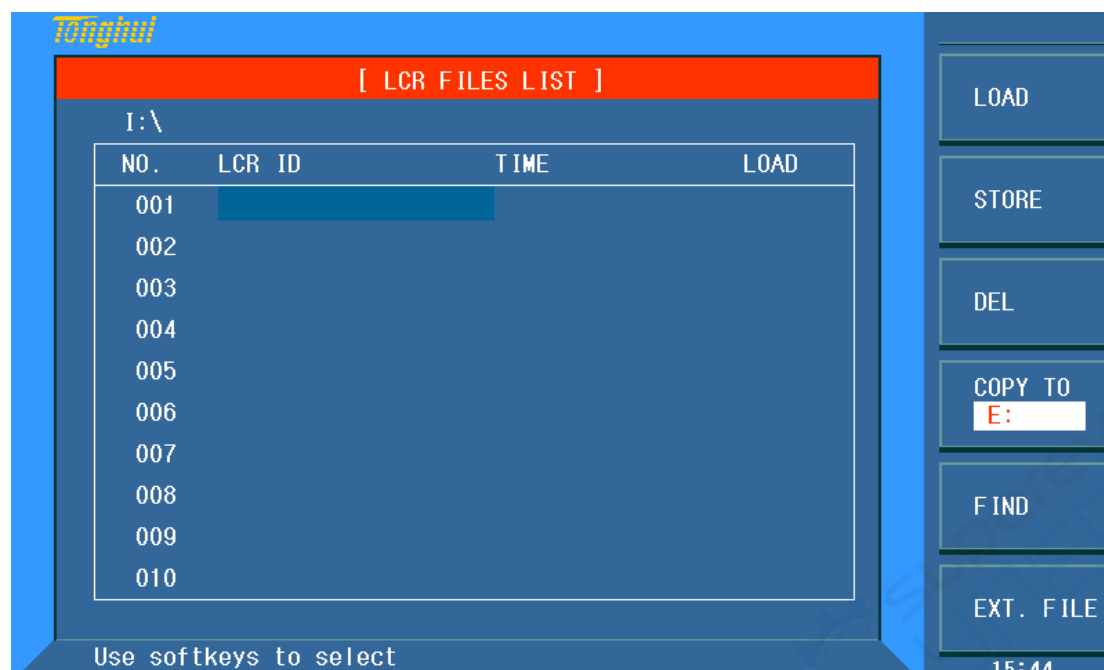
4.1.13 DATA/TIME

When moving to the time zone, user should input the password to enter.

4.2 LCR <FILE MANAGE>

TH2829X series instrument can save the user-set parameter to the nonvolatile memory in the form of file, so when use the same setting next time user can load a corresponding file to obtain the parameter set and used last time. By doing so, it can save the time of setting parameter and improve the production efficiency. The file manage function of the transformer scanning will be described in the part of transformer test setting.

Press **[FILE MANAGE]** to enter into the file manage page, shown as below.



TH2829x402

4.2.1 Setup file for single-group component (*.STA)

40 groups (when only LCR function is used) of different single groups of component set file (*.STA file) can be saved in the instrument and 6 groups (when the LCR and transformer functions are all used) of different single groups of component set file (*.STA file) can be saved in the instrument, but the *.LCR file with the number more than 500 can be saved in external U-disc (note: U-disc is an optional accessory).

Use **FILE MANAGE** function on the following File menus, the following data will be saved or loaded in the form of file, which are called *.STA file.

- Control and setting parameter on <MEASURE SETUP> page
 - FUNCA
 - FUNCB
 - FREQ
 - LEVEL
 - RANGE
 - SPEED
 - DC BIAS
 - BIAS SRC
 - TRIG
 - ALC
 - DELAY
 - Rsou
 - AVG
 - Vm
 - Cm

- ISO
- DEV A
- DEV B
- REF A
- REF B
- Control and set parameters on <BIN COUNT DISP> page
 - BIN COUNT (ON/OFF)
- Control and set parameter on <LIMIT TABLE SETUP> page
 - PARAM (swap parameter)
 - NOM
 - MODE (%-TOL/ABS-TOL/SEQ-MODE)
 - AUX (ON/OFF)
 - COM (ON/OFF)
 - High and low limits of each bin
- Control and set parameters on <List Sweep Setup> page
 - List Sweep Mode (SEQ/STEP)
 - List Sweep Parameter (Frequency/Level/Bias)
 - Test points of all sweep parameters
 - High and low limits of all test points, including limit parameters (LIMIT-DATA A/LIMIT-DATA B)
- Page format currently displayed
- Control and set parameters on <TRANS TEST SET> page
 - Transformer sweep test mode (SEQ/ STEP)
 - Test frequency of turn, inductance, leakage and DCR
 - Test level of turn, inductance, leakage and DCR
 - ON/ OFF state of turn, inductance, leakage and DCR
- Control and set parameters on <TRANS LIMIT SET > page
 - Limit mode (ABS/ Δ %)
 - Nominal values of primary winding, secondary winding, inductance, leakage and DCR
 - High limits of secondary winding, inductance, leakage and DCR
 - Low limits of secondary winding, inductance, leakage and DCR

4.2.2 U-disk manage performance

As described above, TH2829X has a standard configuration of USB HOST interface, so the external U-disk can be used as the memory media. In this condition, it breaks the memory limit of 200 groups of *.LCR files. Meanwhile those files can be copied to IBM PC or compatible desk-top computer, laptop with USB interface to reach the infinite extension.

TH2829X supports the USB memory devices as below:

- Meet the USB 1.0/1.1 standard
- Capacity: 32MB/256MB/2GB/4GB
- File format: FAT16, FAT32 (Format the USB memory on Microsoft Windows)

operation system)

4.2.3 Operation steps for file management

A. Search an existed file

- 1) Roll the knob to view one by one.
- 2) Use the [←] and [→] to view one page by one page.
- 3) Press the soft key **FIND**. Input the file name and then press the [ENTER] to search the target file.

B. Save the following control and setting parameters to a file by the following steps

- 1) Select and set all control and setting parameters on the desired page.
- 2) Move the cursor to **FILE MANAGE**, the following soft keys will be displayed.
 - **LOAD**
 - **SAVE**
 - **DEL**
 - **COPY TO E:**
 - **FIND**
 - **EXT**
- 3) In the file list, move the cursor to the file-saved position or input the file number directly.
- 4) Press **SAVE**, the following soft keys will be displayed.
 - **Yes**
 - **No**
- 5) Press **No** to cancel the current save operation and return step 2.
- 6) Press **Yes**, and "☺: Input LCR file name: " will displayed
- 7) Use numeric keys to input the current file name and press [ENTER]. Then TH2829X will save the control and setting parameters as a file in this name.

C. Load the control and setting parameters from a file by the following steps

- 1) Press File Manage, the file list and the following soft keys will be displayed.
 - **LOAD**
 - **SAVE**
 - **DEL**
 - **COPY to E:**
 - **FIND**
 - **EXT**
- 2) In the file list, move the cursor to the file-saved position or input the file number directly.
- 3) Press **LOAD**, the following soft keys will be displayed.
 - **Yes**
 - **No**
- 4) Press **No** to cancel the current load operation and return step 1.

5) Press **Yes** to load the currently selected file. Then TH2829X will return the current display page.

D. Copy a file to an U disk by the following steps

- 1) Assuming that it is necessary to copy internal files 2 to external storage.
- 2) Press **FILE MANAGE**, the file list and the following soft keys will be displayed.
 - **LOAD**
 - **SAVE**
 - **DEL**
 - **COPY to E:**
 - **FIND**
 - **EXT**
- 3) Move the cursor the file to be copied and press [ENTER] to confirm.
- 4) Press **COPY to E:** to copy the file the instrument.
- 5) When copying the files, the progress bar will prompt the replication schedule. When the progress bar disappears, the copy operation is finished.



TH2829x403

NOTE: Please make sure that your U-disk meets the standard that described in this chapter and no write-read protection.

Chapter 5 Execute LCR operation and some examples

5.1 Correction operation

To execute correction operation (in order to prevent the stray impedance from affecting the test accuracy, it is necessary to make open/short correction), users can select one of the two correction modes.

5.1.1 Sweep correction

- a) Press the menu key **[SETUP]** and then the soft key **CORRECTION**, the instrument will enter into the **< CORRECTION >** page.
- b) Move the cursor to the **OPEN** zone. **ON**, **OFF** and **MEAS OPEN** will be displayed in the soft key zone.
- c) Keep the test fixture be in the open status, then press **MEAS OPEN** to execute open correction till the prompt information zone displays that open correction is finished.
- d) Press **ON** to turn on the open correction function.
- e) Insert the short plate (TH26010) to the test fixture.
- f) Move the cursor to the **SHORT** zone. **ON**, **OFF** and **MEAS SHORT** will be displayed in the soft key zone.
- g) Press **MEAS SHORT** to execute the short correction till the prompt information zone displays that the short correction is finished.
- h) Press **ON** to turn the short correction function.
- i) Move the cursor to the **LOAD** zone. **ON**, **OFF** will be displayed in the soft key zone.
- j) Press **OFF** to turn off the load correction function.
- k) Move the cursor to the **SPOT NO.** zone, **INCR++**, **INCR+**, **DECR--** and **DECR-** will be displayed in the soft key zone.
- l) Press the corresponding key or numeric key to change the serial number of the current spot no.
- m) Move the cursor to the **FREQ** zone, **ON**, **OFF**, **MEAS OPEN**, **MEAS SHORT** and **MEAS LOAD** will be displayed in the soft key zone.
- n) Press **OFF** to turn off the point-frequency correction function of **FREQ**.

5.1.2 Point-frequency correction

This function will gain better results in single-frequency test.

If the test frequency is 5.5kHz,

- a) Press the menu key **[SETUP]** and then **CORRECTION**, then instrument will display the **<CORRECTION>** function.
- b) Move the cursor to the **Open** zone, **ON**, **OFF** and **MEAS OPEN** will be displayed in the soft key zone.
- c) Press **ON** to turn on the open correction function.
- d) Move the cursor to the **SHORT** zone, **ON**, **OFF** and **MEAS SHORT** will be displayed in the soft key zone.
- e) Press **ON** to turn on the short correction function.
- f) Move the cursor to the **LOAD** zone, **ON**, **OFF** will be displayed in the soft key zone.
- g) Press **OFF** to turn on the load correction function.
- h) Move the cursor to the **FREQ** zone, **ON**, **OFF**, **MEAS OPEN**, **MEAS SHORT** and **MEAS LOAD** will be displayed in the soft key zone.
- i) Press **ON** to turn on the point-frequency correction function of **FREQ**.
- j) Press **[5] [.] [5]**, **+5.5** will be displayed in the prompt information zone at the bottom of the screen meanwhile the available units (**Hz**, **kHz** and **MHz**) will be displayed in the soft key zone. Press **kHz**, the **FREQ** zone will be changed as **5.5000kHz** (be the same as that of test frequency).
- k) Keep the test fixture be in open status and press **MEAS OPEN** to execute open correction.
- l) Insert the short plate (TH26010) to the test fixture.
- m) Press **MEAS SHORT** to execute short correction.

5.2 Correct connection of DUT

There are 4 pairs of test terminal: Hcur, Hpot, Lpot and corresponding shielding terminal of each terminal.

Each terminal contains shielding layer whose function is to reduce the influence of the ground stray capacitance and the interference of the electromagnetic field. In the process of testing, Hcur, Hpot and Lpot, Lcur should be connected with DUT lead to form a complete 4-terminal measurement, thus reducing the effect of the lead and the connection points on the test results (especially the dissipation measurement). When testing low-ohm components, Hpot, Lpot should be connected to the lead terminal so as to avoid the impedance being added to the lead impedance and the connection principle is that the Hpot and Lpot test should be the actual existed voltage on DUT.

In other words, before connecting to DUT, it is not recommended to connect Hcur, Hpot with Lpot, Lcur, for doing this will increase test error.

If the connection point and the lead resistance R_{lead} are far weaker than the tested impedance (for example: $R_{lead} < Z_x / 1000$, the accuracy error is required to be less than 0.1%), before connecting to DUT, it is recommended to connect Hcur, Hpot and Lpot, Lcur (Two terminal test).

In the test with high accuracy requirement, using Kelvin test fixture (standard accessory) will gain better results than using test leads. When Kelvin test lead is

used under 10kHz, a better measurement result can be obtained. However, when the frequency is higher than 10kHz, it cannot meet the measurement demand. In high frequency, the change of the clearance between test leads will directly change stray capacitance and inductance on test terminals and this problem is unavoidable, because the test leads cannot be fixed in a position.

So, the use of the test fixture should be used as possible in high frequency. If the test fixture is unavailable or cannot be used, the status of test leads should be the same in the processes of correction and test.

No matter the standard Kelvin test fixture or Kelvin test leads or user-made fixture is used, the following requirements should be met.

1. Distribution impedance must be reduced to the Min. especially when testing high impedance components.
2. Contact resistance must be reduced to Min.
3. Short and open must be available between contact points. Open and short correction can easily reduce the influence of distribution impedance of the test fixture on measurement. For open correction, the clearance between test terminals should be the same with that when they connects with DUT. For short correction, the short plate of low impedance should be connected between test terminals. Another way is to directly connect Hc with Lc or Hp with Lp, then connect both.

Note: When the DUT is a polarity component, before testing, the high potential terminal should be connected to the terminal with mark "+", "Hc" or "Hp" and the low terminal should be connected to the terminal with mark "-", "Lc" or "Lp".

Warning: Before testing, please discharge the tested polarity component so as to avoid the damage to the instrument.

5.3 Eliminate the influence of stray impedance

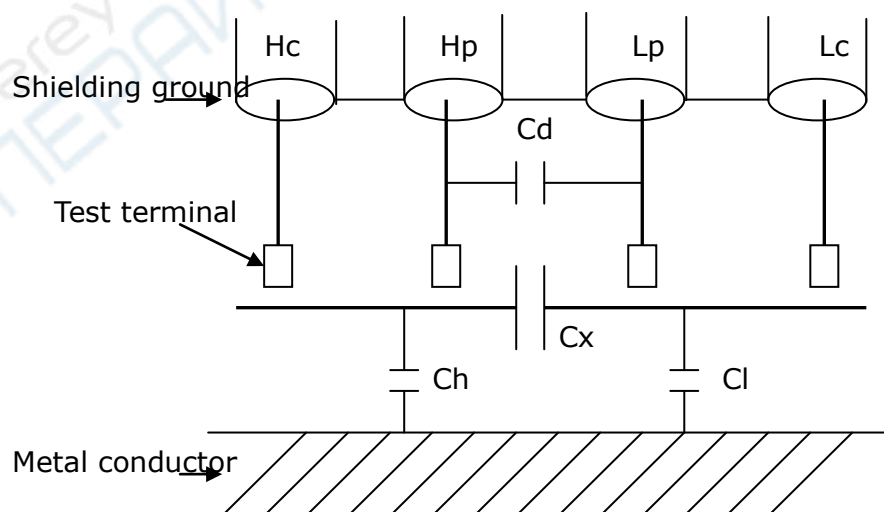


Figure 5-1 Influence of stray capacitance

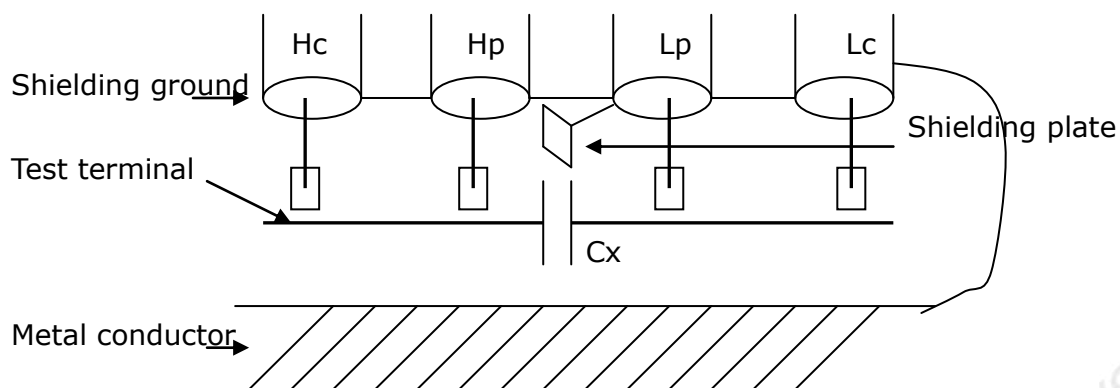


Figure 5-2 Eliminate the influence of stray capacitance

When the DUT has high impedance (such as small capacitance), the influence of stray capacitance cannot be ignored. Figure 5-1 is an example of the use of 4 terminal pair measurement. In this figure, C_d is connected with C_x in a parallel way and when a conductance plate is positioned under DUT, capacitance C_h will connect with C_x in parallel after connecting with C_l in series and by this way the measurement result will have errors. If a ground conductor is installed between high and low terminals, C_d can be reduced to Min . Meanwhile if the ground terminal is connected to the conductance plate, the influence of C_h and C_l will be eliminated.

When the DUT is low impedance (such as small inductance, large capacitance), a large current will flow through test leads H_c and L_c . In this case, **electromagnetic coupling between test leads becomes the main source of test errors** except the influence of the contact resistance on test terminals. If this coupling cannot be eliminated, it will bring unexpected influence on test results. Generally, contact resistance affects the resistance of impedance and electromagnetic affects the reactance of impedance. Test terminals can adopt 4TP connection method. For 4 terminal-pair (4TP) connection, the currents flow through H_c and L_c are equal in value and opposite in direction with those flowing through each shielding terminals (the current reflow from H_c to shielding layer). By this way, the magnetic fields produced by these currents can be mutually offset and further eliminate the influence of mutual inductance coupling on test results.

5.4 Operation example for testing inductance with TH2829AX

Test Condition

Function: Ls-Q

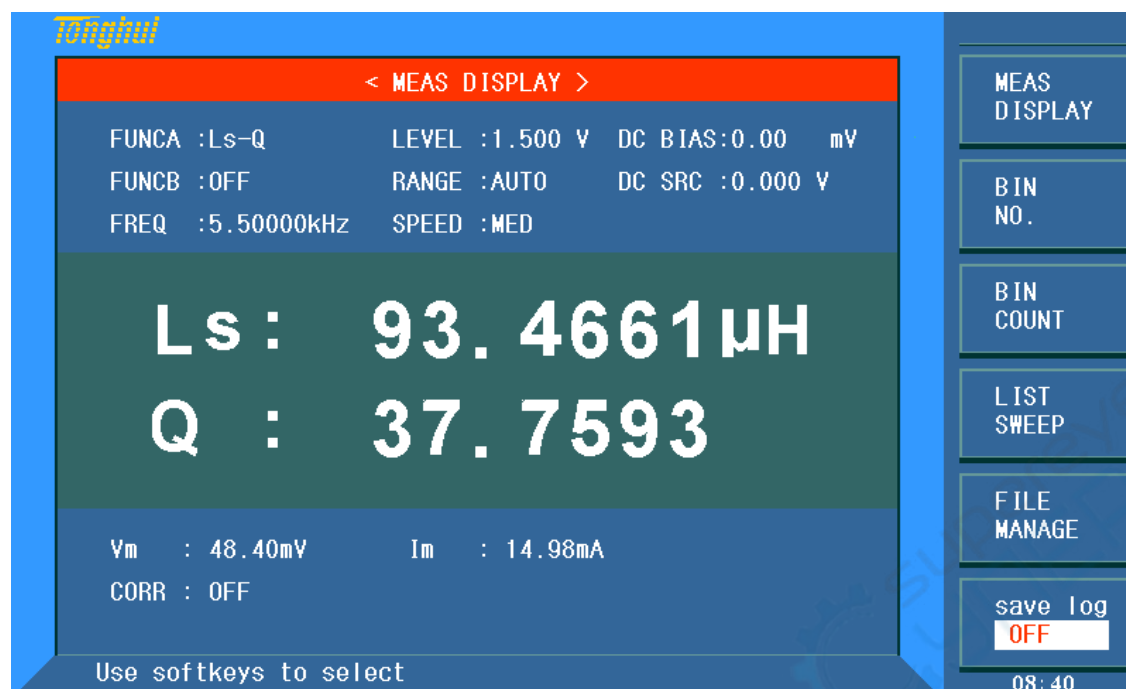
Frequency: 5.5kHz

Level: 1.5Vrms

Internal impedance: 100 Ω

Operation steps

- 1) Turn on the instrument.
- 2) Set basic parameters
 - a) Press [DISP] to enter into the <MEAS DISP> page.
 - b) Use the knob to move the cursor to FUNC, the current item is displayed as Cp-D. Meanwhile Cp—...→, Cs—...→, Lp—...→, Ls—...→, Z—...→, ↓ will be displayed in the soft key zone.
 - c) Press the soft key Ls—...→, Ls-D, Ls-Q and Ls-Rs will be displayed.
 - d) Press Ls-Q to select the Ls-Q function.
 - e) Move the cursor to **FREQ** the current frequency is 1.0000kHz.
 - f) Press [5][.][5], +5.5 will be displayed in the prompt information zone at the bottom of the screen. The available units Hz, kHz and MHz will be displayed in the soft key zone. Press kHz, the frequency will be changed as 5.5000kHz.
 - g) Move the cursor to **LEVEL**, the current displayed level will be 1.000V.
 - h) Press [1][.][5], +1.5 will be displayed in the prompt information zone at the bottom of the screen. The available units mV, V, μ A, mA and A will be displayed in the soft key zone. Press [ENTER], the level will be changed as 1.5V.
 - i) Press [SETUP] to enter into the <MEAS SETUP> page.
 - j) Move the cursor to **R_{sou}** zone, 100 Ω , 50 Ω , and 30 Ω will be displayed in the soft key zone.
 - k) Press 100 Ω to select 100 Ω as the signal internal impedance.
- 3) Connect the test fixture (TH26005) to the test terminals of TH2829AX.
- 4) Execute correction (To avoid the influence of stray impedance on measurement accuracy, Open/ Short correction must be operated) (refer to 5.1.2 "Point-frequency correction")
- 5) Mount the tested inductance to the test fixture.
- 6) Execute test operation.
Press [DISP] to enter into the <MEAS DISP> page. The instrument can test continuously and the test result will be displayed in upper case character in the center of the page, shown as below:



TH2829x501

- 7) If the test result is obviously incorrect, please check the following items.
- Check the tested inductance is in good connection with the test fixture or not.
 - Check the test fixture is in good connection with the test terminals of the instrument or not.
 - Redo the open/short correction.

***NOTE:** When the sweep open/short correction is used, the point-frequency correction function should be set as OFF. Refer to Correction operation in this chapter.

5.5 Operation example of testing capacitance by multi-frequency list sweep

Test condition

Function: Cp-D

Level: 1Vrms

Other parameters

Frequency	Compare parameter	Low limit	High limit
1kHz	Cp(capacitance)	325.0nF	333.0nF
10kHz	D (Dissipation)	0.0001	0.0003
100kHz	D (Dissipation)	0.0060	0.0100

Beep: HIGH LONG

Alarm mode: OUT (trigger the beeper: HIGH or LOW)

Operation steps

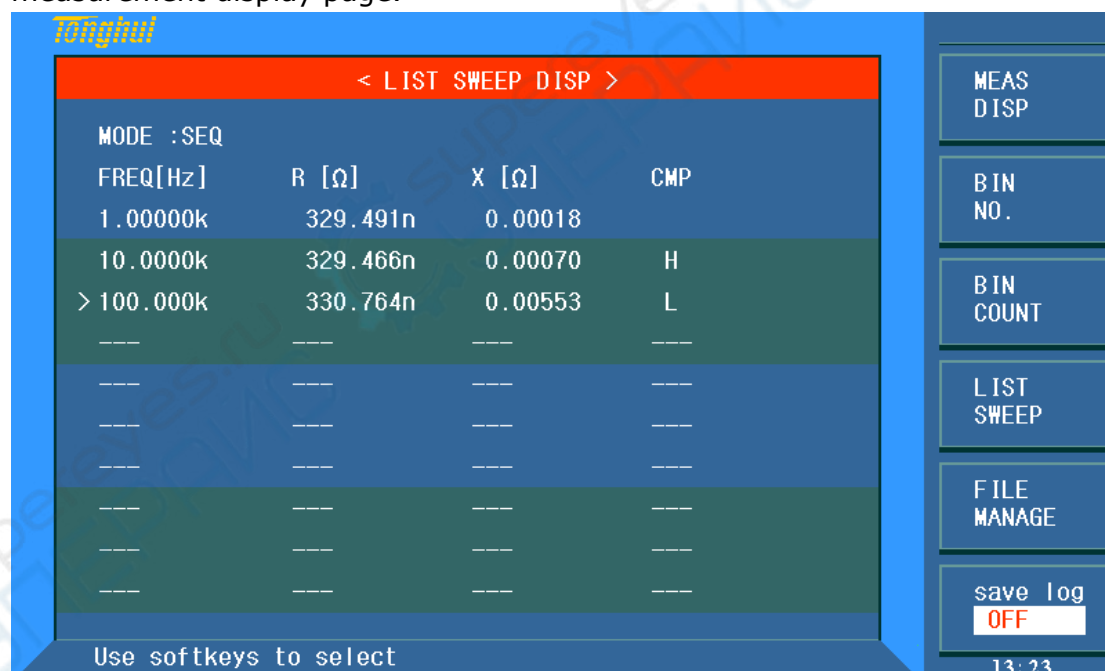
- Turn on the instrument.

- 2) Set basic parameters.
 - a) Press [DISP] to enter into the <MEAS DISP> page.
 - b) The **FUNC** zone is currently displayed as Cp-D and the Level zone is 1.000V.
 - c) Press [SETUP] to enter into the <MEAS SETUP> page, meanwhile the following soft keys will be displayed in the soft key zone: MEAS SETUP, CORRECTION, LIMIT SETUP, SWEEP SETUP and FILE MANAGE.
 - d) Press SWEEP SETUP to enter into the <SWEEP SETUP> page.
 - e) Move the cursor to the **SWEEP PARAM** zone. Then this zone will be displayed as **FREQ[Hz]**.
 - f) Use the knob to move the cursor to the parameter zone of sweep point 1, then this zone will be displayed as ---.
 - g) Press [1], +1 will be displayed in the prompt information zone and the soft key zone will display available units: Hz, kHz and MHz. Press kHz, this zone will be changed as 1.0000k.
 - h) Press [→] to move the cursor to the LMT zone of sweep point 1, then this zone will be displayed as ---. The soft key zone will display: LIMIT DATA A, LIMIT DATA B and OFF.
 - i) Press LIMIT DATA A to select the compare primary parameter Cp function. This zone will be display A and the cursor will automatically move the low limit zone of sweep point 1.
 - j) Press [3][2][5], +325 will be displayed in the prompt information zone and the following available units will be displayed in the soft key zone: p, n, μ, m. Press n, this zone will be changed as 325.000n. Then the cursor will automatically move the high limit zone of the sweep point 1.
 - k) Press [3] [3] [3], +333 will be displayed in the prompt information zone and the following units will be displayed in the soft key zone: p, n, μ, m. Press n, this zone will be changed as 333.000n and the cursor will automatically move to the parameter zone of sweep point 2.
 - l) Press [10], +10 will be displayed in the prompt information zone and the soft key zone will display the following available units: Hz, kHz and MHz. Press kHz, this zone will be displayed as 10.0000k.
 - m) Press [→] to move the cursor to the LMT zone of sweep point 2, this zone will be displayed as---. the following soft key will be displayed in the soft key zone: LIMIT DATA A, LIMIT DATA B and OFF.
 - n) Press LIMIT DATA B to select the compare secondary parameter D function. This zone will be displayed as B and the cursor will be automatically moved to the low limit zone of the sweep point 2.
 - o) Press [0][.][0][0][0][1], +0.0001 will be displayed in the prompt information zone and the soft key zone will display the following available units: p, n, μ, m. Press [ENTER], this zone will be changed as 100.000μ and the cursor will automatically move to the high limit zone of sweep point 2.
 - p) Press [0][.][0][0][0][3], +0.0003 will be displayed in the prompt

information zone and the soft key zone will display the following available units: p, n, μ , m. Press ENTER, this zone will be changed as 300.000 μ and the cursor will automatically move to the parameter zone of sweep point 3.

- q) Based on 1-p steps, input 100kHz, B, 0.0060 and 0.0100 for the 3rd sweep point.
- 3) Alarm setup
 - a) Press [SYSTEM] to enter into the <System Setup> page.
 - b) Move the cursor to the FAIL BEEP zone to select HIGH LONG.
- 4) Mount the test fixture (TH26005) to the test terminals of TH2829X.
- 5) Execute correction function (To avoid the influence of the stray impedance on the measurement accuracy, it is necessary to execute open/short correction (refer to chapter 5.1.1 Sweep Correction)).
- 6) Insert the tested capacitor to the test fixture.
- 7) Execute test operations.

Press [DISP] and then List Sweep to enter into the <List Sweep Display> page. The instrument will test continuously and then display the test and the compare results on page. If the compare result is H (higher than the high limit) or L (lower than the low limit), there is a beep alarm. The following figure shows the measurement display page.



TH2829x502

- 8) If the test result is obviously incorrect, please check the following items.
 - d) Check the tested inductance is in good connection with the test fixture or not.
 - e) Check the test fixture is in good connection with the test terminals of the instrument or not.
 - f) Redo the open/short correction.

***NOTE:** When the sweep open/short correction is used, the point-frequency correction function should be set as OFF. Refer to Correction operation in this

chapter.

5.6 Operation example of load correction

1) Operation steps

Test condition

Frequency: 100kHz

Cp: 11nF

D: 0.0005

- a) Press [SETUP], the following soft keys will be displayed in the soft key zone: MEAS SETUP, CORRECTION, LIMIT SETUP, LIST SETUP, FILE MANAGE and TOOLS.
- b) Press CORRECTION to enter into the <CORRECTION> page.
- c) Move the cursor to **OPEN**, the following soft keys will be displayed in the soft key zone: ON, OFF and MEAS OPEN.
- d) Press ON to turn on the open correction function.
- e) Move the cursor to **SHORT**, the following soft keys will be displayed in the soft key zone: ON, OFF and MEAS SHORT.
- f) Press ON to turn on the short correction function.
- g) Move the cursor to **LOAD**, the following soft keys will be displayed in the soft key zone: ON and OFF.
- h) Press ON to turn on the load correction function.
- i) Move the cursor to **FUNC**, this zone will display Cp-D. Meanwhile Cp—...→, Cs—...→, Lp—...→, Ls—...→, Z—...→, ↓ will be displayed in the soft key zone.
- j) Press Cp-D to select the Cp-D function.
- k) Move the cursor to **FREQ** zone, the following soft keys will be displayed in the soft key zone: ON, OFF, MEAS OPEN, MEAS SHORT and LOAD.
- l) Press ON to turn on the point-frequency correction function of the corresponding **FREQ** in current **SPOT No.**
- m) Press [1][0][0], +100 will be displayed in the prompt information zone and the soft key zone will display the following available units: Hz, kHz and MHz. Press kHz, the **FREQ** zone will be changed as 100.000kHz (the same with the test frequency).
- n) Move the cursor to the **REF A:** zone of the frequency 1. Press [1][1], +11 will be displayed in the prompt information zone and the following available units will be displayed in the soft key zone: p, n, μ, m and k. Press n, this zone will be changed as 11.0000nF.
- o) Move the cursor the **REF B:** zone of the frequency 1. Press [0][.][0][0][0][5], +0.0005 will be displayed in the prompt information zone and the following available units will be displayed in the soft key zone: p, n, μ, m and k. Press [ENTER], this zone will be changed as 0.00050.
- p) Move the cursor to **FREQ**. The following soft keys will be displayed: ON, OFF, MEAS OPEN, MEAS SHORT and LOAD.
- q) Hold the test fixture be in open status and keep user's hands or other

interference source be far away from the test fixture. Press the soft key **MEAS OPEN** to execute open correction.

- r) Insert the short plate (TH26010) into the test fixture. Please ensure that the short plate and the reeds of the test fixture have good contact.
- s) Press the soft key **MEAS SHORT** to execute short correction.
- t) Insert a standard capacitance into the test fixture. Please ensure that the pins of the standard capacitance have good connection with the reeds of the test fixture.
- u) Press the soft key **LOAD** to execute load correction.

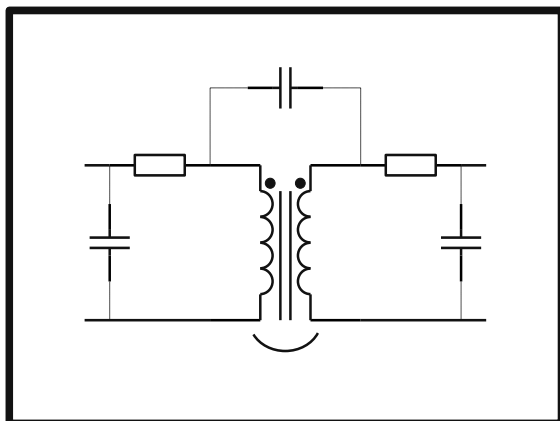
2) Note

- a) Because of the different software editions, the soft keys and status information may be different from this book, but it may not affect users' understanding.
- b) The load correction is only valid for the components with the same specification. If the specification is changed, it is required to redo load correction.

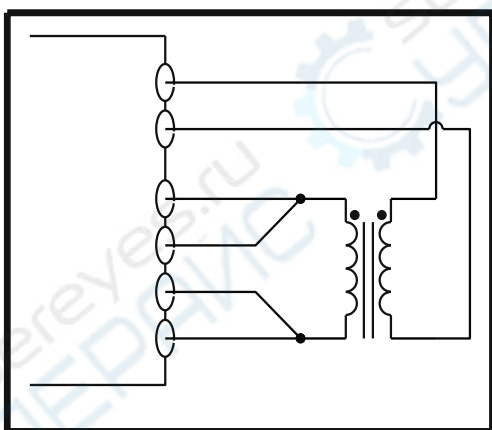
Chapter 6 Transformer Single-machine Test

6.1 Circuit for transformer single-machine test

6.1.1 Some parameters of transformer



6.1.2 Transformer single test circuit and TURN test



On TH2829X, TURN test has 4 display modes:

- $N_s: N_p$ $=U_2/U_1$
- $N_p: N_s$ $=U_1/U_2$
- N_s $= N_p \cdot U_2/U_1$
- N_p $= N_s \cdot U_1/U_2$

Where, U_1 and U_2 are the value of auto test, but the value of N_p and N_s should be set in advance on the first line on <Transformer limit setup> page.

It is recommended that users put the winding group with more turns in primary winding rate, the reasons are as follows:

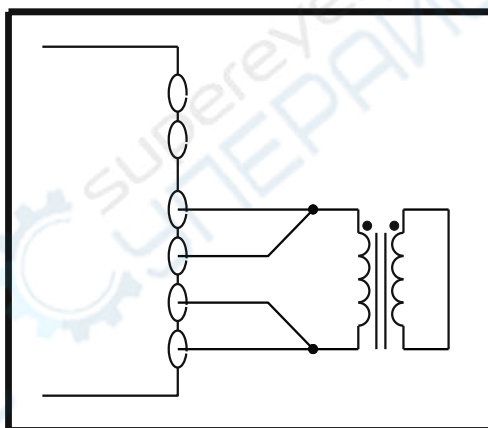
- 1) Due to the influence of output internal resistance (10, 30, 50, 100), when the

primary inductance is too small, the distributed voltage signal is small and the transformer gets weak energy. As the test cable and relay will attenuate some energy, the stability and the accuracy of test will be affected.

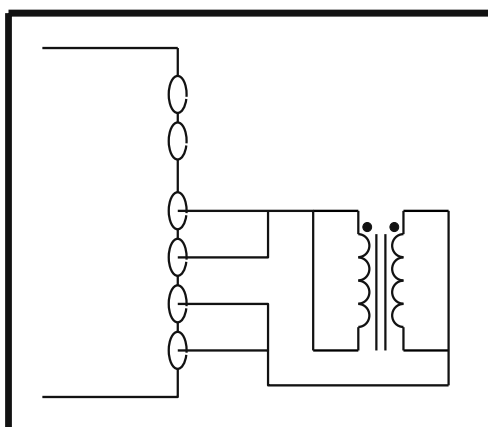
- 2) If the primary signal is enlarged, the secondary winding of the winding with more turns will generate higher voltage which may be beyond the acceptable range thus affecting the test accuracy.
- 3) If the winding group with more turns is put in primary class, then the transformer can get higher energy thus the two problems above can be avoided.

6.1.3 Transformer leakage inductance test

When use the circuit discussed in last section to make automatic sweep test on the leakage inductance of primary inductance L_1 , the instrument will automatically use the relay to short the secondary winding of the transformer so as to test the leakage inductance. From transformer secondary winding to inner relay, the magnetic leakage is existed inevitably, so there is error of leakage inductance in this zone. If user wants to obtain an accurate leakage value, please short the secondary winding of the transformer based on the figure below.



6.1.4 Capacitance test between windings of transformer



6.2 <Transformer Measure Setup>

Press [SYSTEM] to enter into the system setup main menu.



TH2829x601

Move the cursor to **FUNC** and then press the soft key **TRANS MEAS** to enter into the <TRANS MEAS SETUP>.

On this page, the following measurement parameters of the transformer can be set: test conditions of turns, test conditions of primary inductance, test conditions of primary leakage inductance, test conditions of primary DC resistance, where, test conditions include test voltage, frequency, switch, etc.



TH2829x602

6.2.1 DELAY

Trigger delay means the delay time from trigger start to test start. Delay function allows users to set the trigger delay time. When the instrument makes auto sweep test for transformer parameters, at each sweep test point, the instrument will trigger delay for preset delay time. The delay time ranges from 0s to 60s with the resolution of 1ms. When the instrument is used in automatic test system, the delay function will be useful.

Operation steps for setting delay function

Execute the following operations to set delay time.

- 1) Move the cursor to **DELAY**.
- 2) Use numeric keys to input the delay time. Press a numeric key, the following unit soft keys will be displayed. Use them to replace **[ENTER]** and input delay time.

- **msec**
- **sec**

6.2.2 Bias

There are two modes for setting DC bias. The first one is using soft keys and the other one is using numeric keys.

- 1) Move the cursor to **DC BIAS**, the following soft keys will be displayed.
 - **↑(+)**
Press this key to increase the output level of DC bias.
 - **↑(-)**
Press this key to decrease the output level of DC bias.
- 2) Use soft keys or numeric keys to select or set DC bias level. When using numeric keys to input the bias level value, the available units (**mV**, **V**, **μA**, **mA** and **A**) will be displayed in the soft key, which can be used to input unit and data. When using **[ENTER]** to input the bias value, the default unit is V or A.

Note: When you want to switch DC bias level between current and voltage, the numeric keys and unit keys must be used.

When using transformer parameter auto sweep function to test inductance, the instrument will automatically output the preset DC bias. When DC bias is allowed to output, **[DC BIAS]** will light up.

6.2.3 MODE

Move the cursor to **MODE**, the soft key zone will display **SEQ** and **STEP**.

- Press **SEQ**, the **MODE** zone will display **SEQ** which means the instrument is in external trigger mode or manual trigger mode, trigger once, the instrument will sweep the transformer parameter for a circle.
- Press **STEP**, the Mode zone will displays **STEP** which means the instrument is in external trigger mode or manual trigger mode, trigger once, the instrument will sweep the transformer parameter for one time.

6.2.4 Setting TURN test conditions

The screenshot shows the instrument's main menu for the TRANS TEST SET. The screen displays the following parameters:

- DELAY : 0ms
- MODE : SEQ
- DC BIAS: 0.00 mV
- DC SRC : 0.000 V

FUNC	FREQ	LEVEL	✓/✗
TURN	10.000kHz	1.000 V	✓
Lx	1.0000kHz	100.0mV	✓
Lk	1.0000kHz	1.000 V	✗
Cx	1.0000kHz	1.000 V	✓
Zx	1.0000kHz	1.000 V	✓
ACR	1.0000kHz	1.000 V	✓
DCR			✓

On the right side of the screen, there are several control buttons:

- RSOU:** 300 (Press this key to switch the internal resistance between 10, 30, 50, 100 when testing TURN.)
- DISP:** Ns (Press this key to switch the TURN display mode between: Ns, Np, Ns: Np, Np: Ns)
- ON**
- OFF**

Use softkeys to select

05:45

TH2829x603

6.2.5 Setting Lx test conditions

The screenshot shows the instrument's main menu for the TRANS TEST SET. The screen displays the following parameters:

- DELAY : 0ms
- MODE : SEQ
- DC BIAS: 0.00 mV
- DC SRC : 0.000 V

FUNC	FREQ	LEVEL	✓/✗
TURN	10.000kHz	1.000 V	✓
Lx	1.0000kHz	100.0mV	✓
Lk	1.0000kHz	1.000 V	✗
Cx	1.0000kHz	1.000 V	✓
Zx	1.0000kHz	1.000 V	✓
ACR	1.0000kHz	1.000 V	✓
DCR			✓

On the right side of the screen, there are several control buttons:

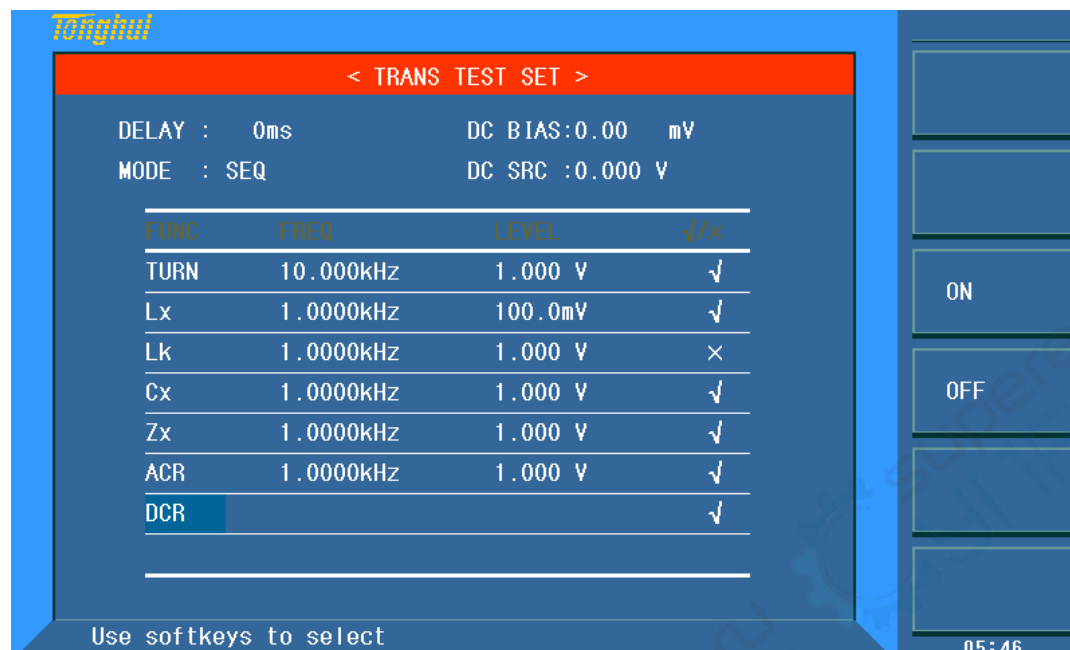
- RSOU. :** 100Ω (Press this key to switch the internal resistance between 10, 30, 50, 100 when testing LX.)
- MODE:** Ls (Press this key to switch between Lp and Ls.)
- ON**
- OFF**

Use softkeys to select

05:46

TH2829x604

6.2.6 Setting DCR test conditions



TH2829x605

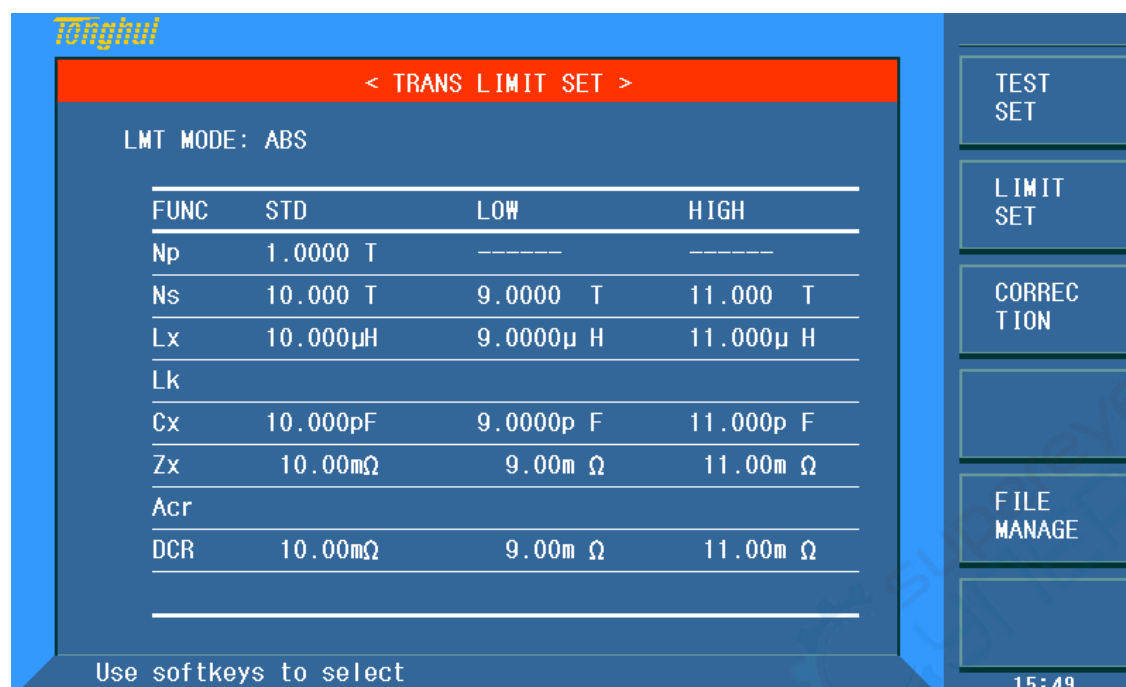
6.2.7 Test frequency, voltage and switch

The parameter column is mode of Turn Ratio, Inductance, Leakage, Cx, Zx, ACR, DCR. There are 3 parameter variables: frequency, level and ✓/✗. Move the cursor to the corresponding set zone and modify frequency and level to meet the demand of user.

- Frequency: 20Hz to 200kHz
- Turn ratio (test level): 5mV to 10V
- Inductance, leakage (test level): 5mV to 2V
- ✓/✗ is composed of ON and OFF. If selecting ON, then the corresponding parameter is valid, otherwise, the parameter is invalid.

6.3 <TRANS LIMIT SETUP>

Select the instrument function as Transformer Single Test and then press **LIMIT SETUP** to enter into the <TRANS LIMIT SETUP> page as shown in the following figure .



TH2829x606

On this page, the following parameters can be set: turn ratio, primary inductance, secondary inductance, primary DC resistance, nominal value used for judge and display, high and low limits, high/ low limit mode

6.3.1 LMT MODE

This zone displays the compare deviation modes of the current transformer: ABS (Absolute value) and $\Delta\%$ (percent).

Move the cursor to **LMT MODE**: the following soft keys will be displayed.

- ABS
- $\Delta\%$

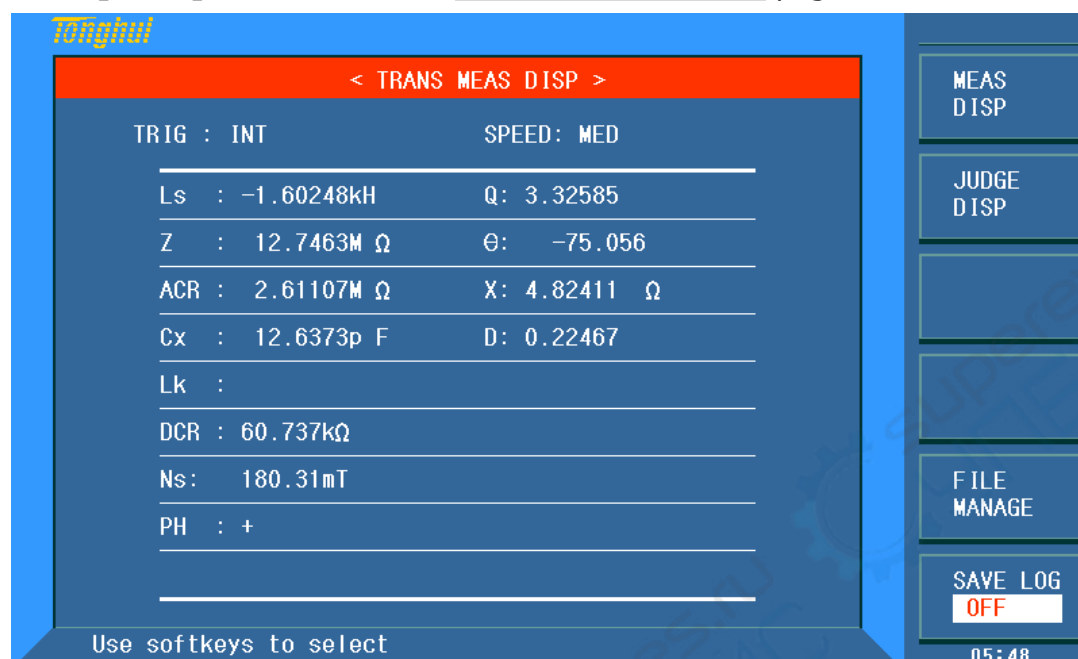
6.3.2 Parameter column

The parameter column is made up of primary turn, secondary turn, primary inductance, leakage inductance, Cx , Zx, ACR and DCR, each of them has 3 variables: nominal value, low limit and high limit.

Move the cursor to the parameter table and input nominal value, high and low limits. The high limit should be larger than the low limit. **Note: the nominal value's unit has the memory function, if the unit needs to be changed, please press the multiplying unit in the soft key zone. If the multiplying unit is not necessary, please press [ENTER] key.**

6.4 <TRANS MEAS DISP>

Press [**DISP**] to enter into the <TRANS MEAS DISP> page.

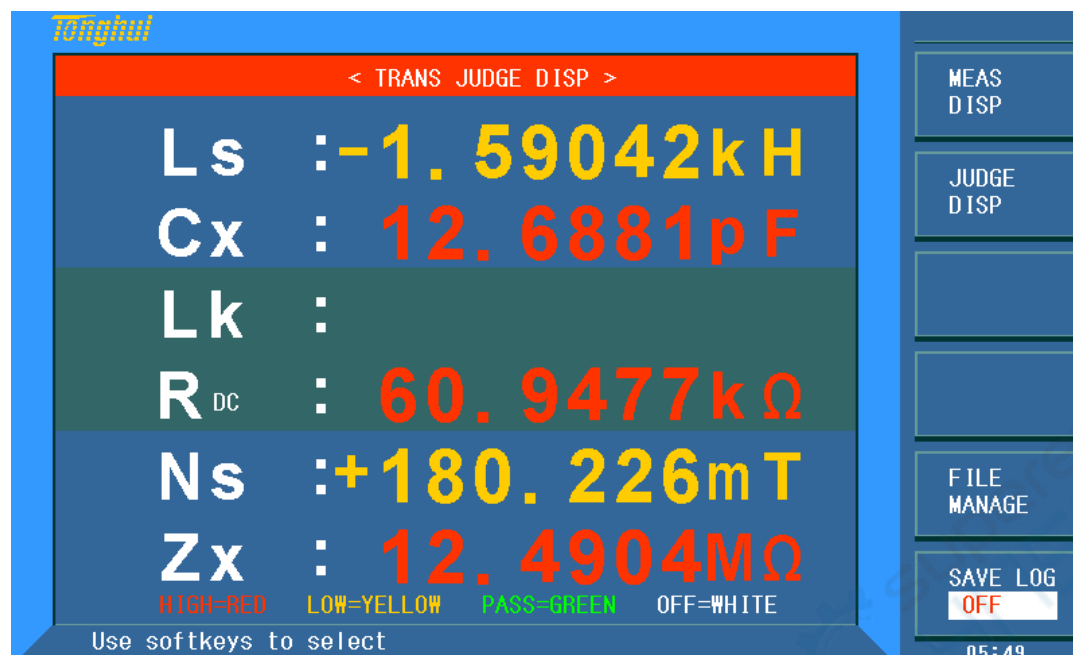


TH2829x607

On this page, results of the transformer test parameters will be displayed.

6.5 <Transformer Judge Display>

Select the instrument function as Transformer Single Test and then press the soft key Judge Display to enter into the <TRANS JUDGE DISP> page shown as the following figure.



TH2829x608

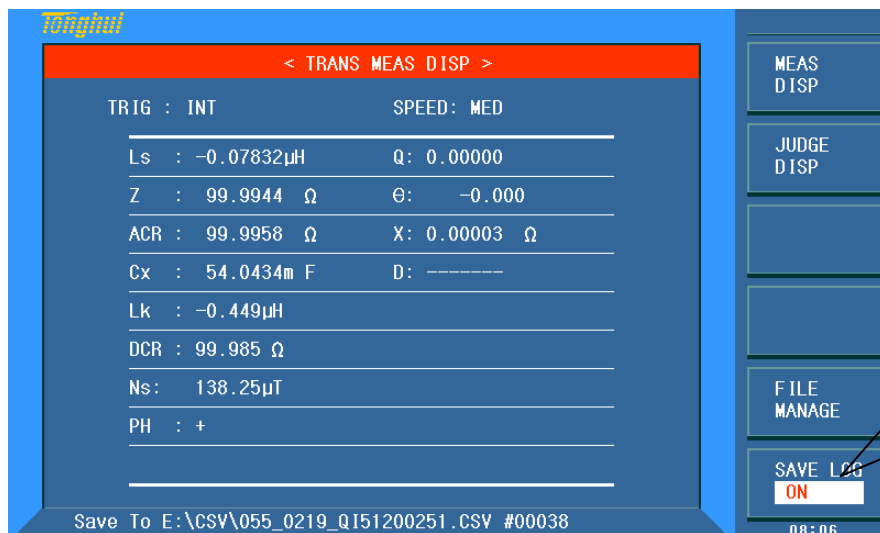
On this page, the display results of each parameter will be displayed and the character color shows the judge result as well. If the judge result is shown red character which means high pass (H) which yellow character means low pass (L), green character means PASS.

Users can set the PASS or FAIL beeper on the <SYSTEM> page.

6.5.1 Save transformer single-group test result by U disk

Use U disk to save the test result, the following test results and formats can be saved:

- 1: TrTurn :Ns, primary parameter, phase, compare result;
- 2: TrLx :Lx, primary parameter, secondary parameter, compare result;
- 3: TrLk :Lk, primary parameter, compare result;
- 4: TrDcr :Dcr, primary parameter, compare result;
- 5: TrZx :Zx, primary parameter, secondary parameter, compare result;
- 6: TrAcr :Acr, primary parameter, secondary parameter, compare result;
- 7: TrCx :Cx, primary parameter, secondary parameter, compare result.

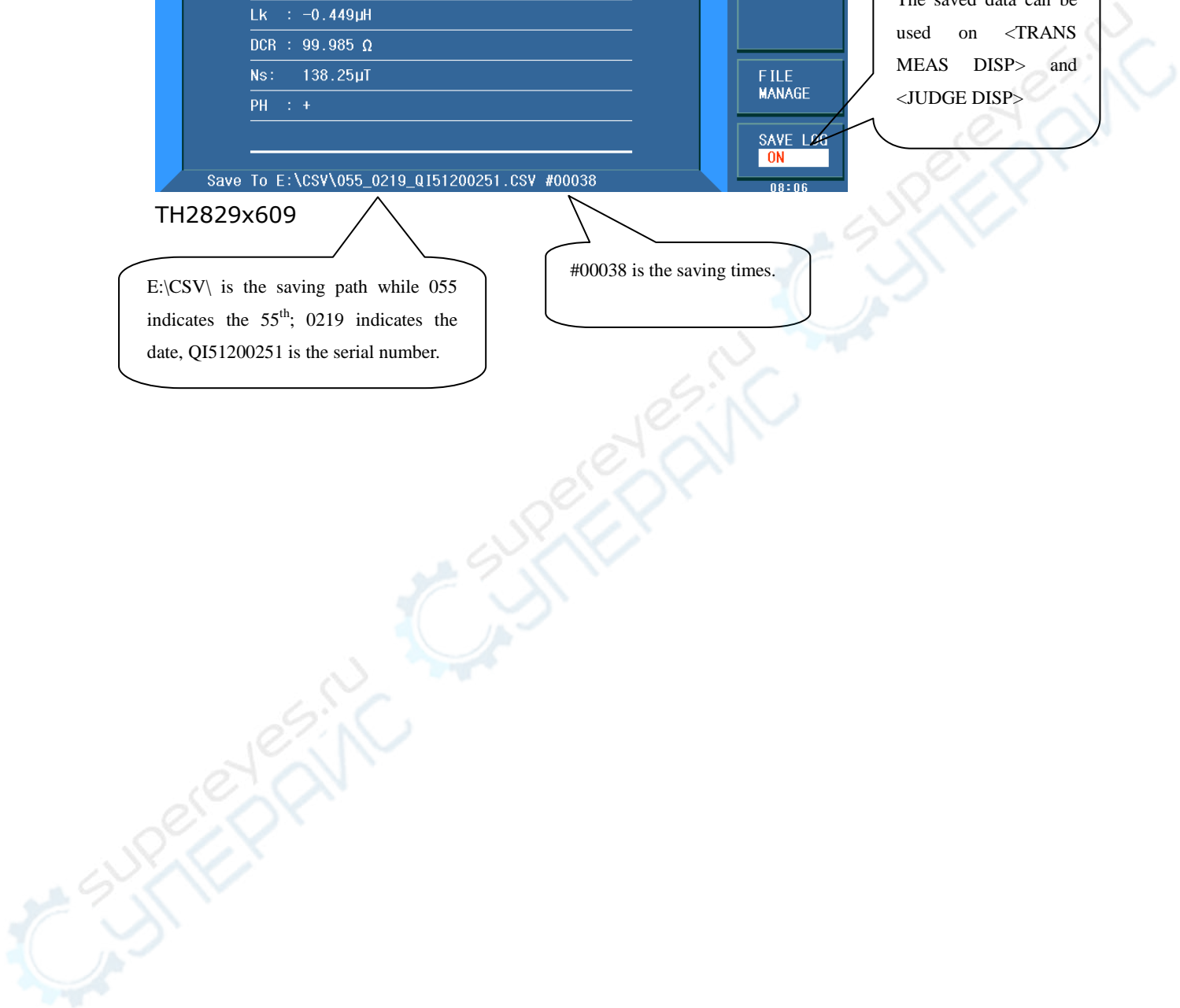


TH2829x609

E:\CSV\ is the saving path while 055 indicates the 55th; 0219 indicates the date, Q151200251 is the serial number.

#00038 is the saving times.

The saved data can be used on <TRANS MEAS DISP> and <JUDGE DISP>



Chapter 7 Transformer Auto Scanning Test

7.1 Introduction to scan test function

Automatic transformer test system consists of TH1901A/ TH1901B transformer scanning box and TH2829X. It can test the following parameters: inductance (Lx), leakage inductance (Lk), quality factor (Q), turn (TURN), phase (PHASING), stray capacitance (Cx), DC impedance (DCR), AC impedance (ACR), impedance (Zx), inductance balance (Lx-BALANCE), DC impedance balance (DCR-BALANCE), short test (PIN-SHORT) and current bias (DCI-BIAS), etc.

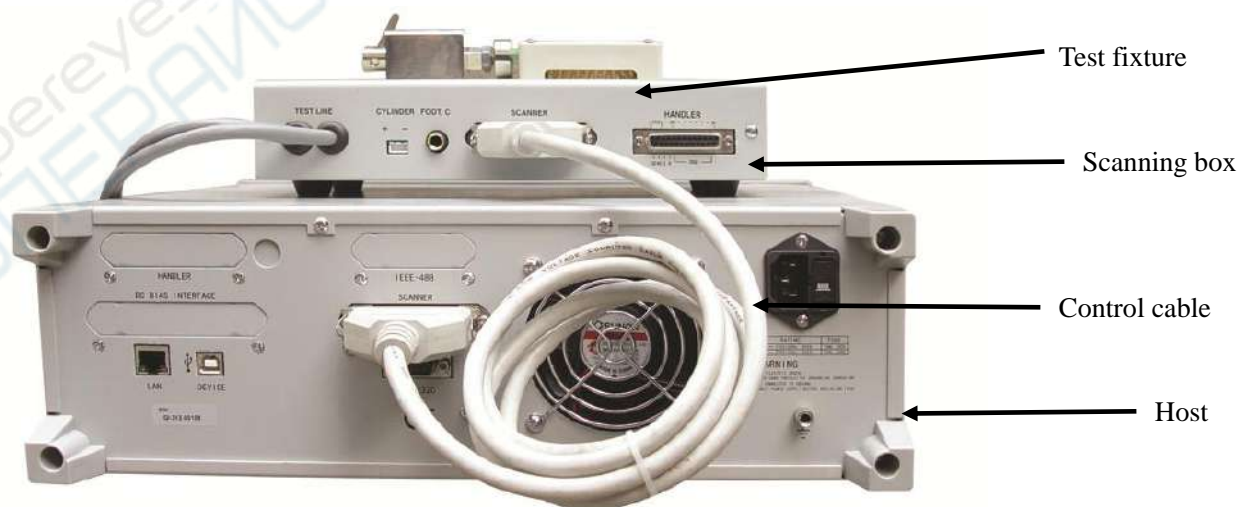
TH2829X can realize the automatic conversion between transformer pins and fixture pins, automatic test time of rescan interval setup, multi-group primary winding test, multi-group leakage test, deviation compensation for test values, PASS and FAIL count for test result, save and load function for test parameter, repeat test for FAIL product, etc. TH2829X can test several transformers at the same time.

7.2 Install and connect the scanning test system

Automatic transformer test system is the connection of TH1901A/TH1901B and TH2829X, and the connection steps are as follows:

1. Use 36PIN double-headed cable (TH26016 transformer test control cable) to connect the SCANNER socket on the rear panel of TH1901A/B and the SCANNER socket on the rear panel of TH2829X as shown in the following figure.

NOTE: It is forbidden to plug the cable with electricity. Keep the direction of cable be correctly routed.



TH2829x701

2. If it is necessary to use the foot switch, connect the foot switch to the FOOT.C

interface on the rear panel of TH1901A/B.

NOTE: Once the foot switch is used, the START button on TH1901A/B will not work any more.

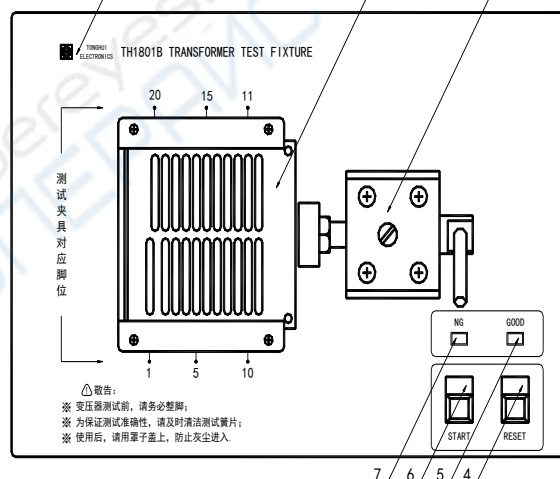
3. If the scanning box is TH1901A, user should connect the trachea to the valve controller.

4. Connect TH1901L 6-terminal scanning box to the corresponding terminal on the front panel of TH2829X and lock it as shown in the following figure.

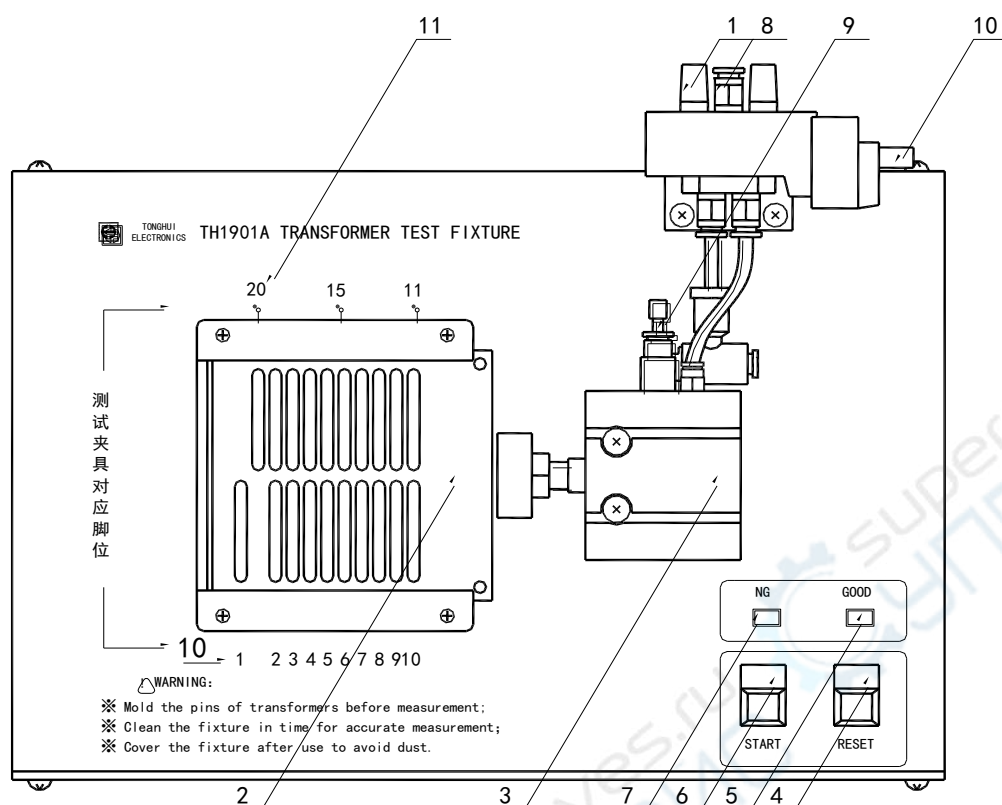


TH2829x702---Connect the scanning test cable to TH2829X

7.3 Upper panel of scanning box



TH1901B Board



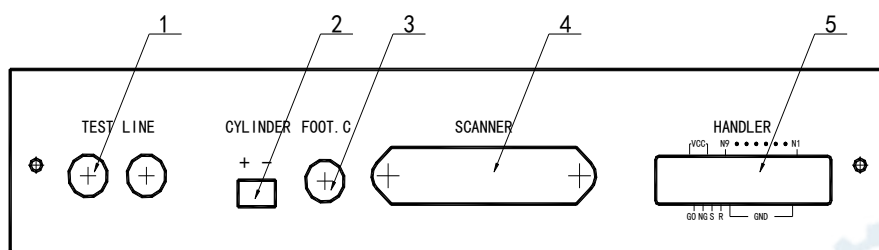
TH1901A

Introduction to the marking numbers:

- 1) Silencer: This is a silencer used for noise reduction and dust proof (only for TH1901A).
- 2) Test fixture: This fixture is flexible and replaceable.
- 3) Cylinder: This is the main driving force for TH1901A; For TH1901B, the motive force is from a manual push rod.
- 4) RESET button: When pressing this button, all tests will be terminated and the instrument will recover to the original preparing test state.
- 5) GOOD indicator: If the specified test results meet the preset requirements, this indicator will light up, which indicates that the tested device is GOOD.
- 6) START button: It is used to control test. Press this button, the instrument will start test.
- 7) NG indicator: If one or two test results cannot meet to the preset requirements, this indicator will light up, which indicates that the tested device is NOT GOOD.
- 8) Inlet of the air pipe: This is the connection interface connecting with external air pipe. Note: It is recommended to install a water filtering device between the inlet and the inlet valve so as to improve the service life of the cylinder and the inlet valve. (This inlet is unavailable for TH1901B.)
- 9) Speed control knob: The knob is used to adjust the driving speed of the cylinder. (none for TH1901B)

- 10) Control socket of air valve controller (electromagnetic valve): The switch for controlling TH1901A and the cylinder. The power is DC24V. There is no such a controller in TH1901B.
- 11) Fixture pin number. In above figure, 1~20 is the corresponding pin number.

7.4 Lower panel of scanning box



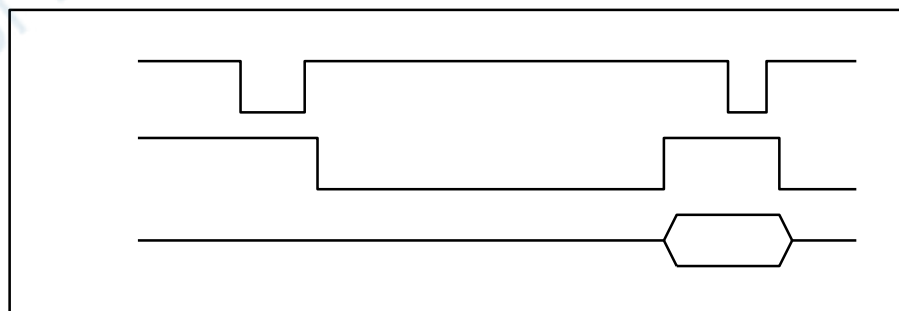
Introduction to each number on the lower panel

1. TEST LINE: inlet port of the test cable, TH1901L 6-terminal test box is connected to inner part of TH1901A/B through this line.
2. CYLINDER: 24V DC voltage output terminal, providing the working voltage for TH1901A solenoid valve.
3. FOOT. C: Used to connect footswitch.
4. SCANNER: Signal control port. Use TH26016 control line to connect the scanning box with TH2829X through SCANNER port.
5. HANDLER: HANDLER port. Refer to section 2.5 for instruction of HANDLER port.

NOTE: There is a hole in the left panel of TH1901A/B, the inner adjustable potentiometer can be sued to adjust the volume of beep.

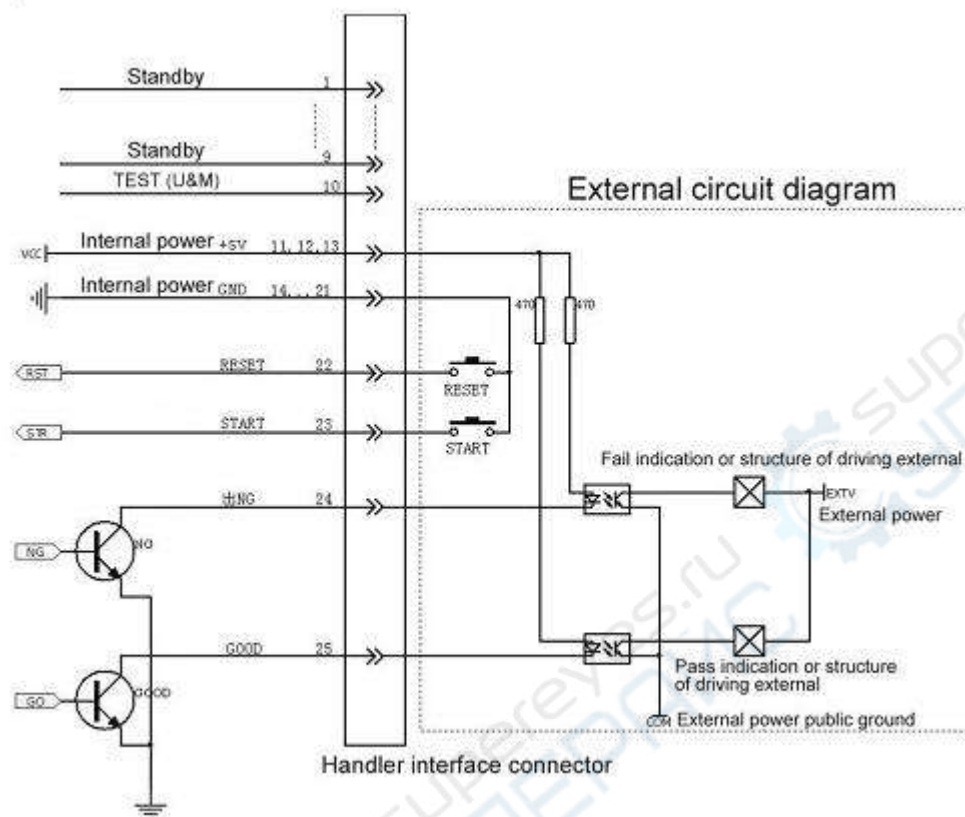
7.5 HANDLER interface

7.5.1 Timing diagram of HANDLER signal



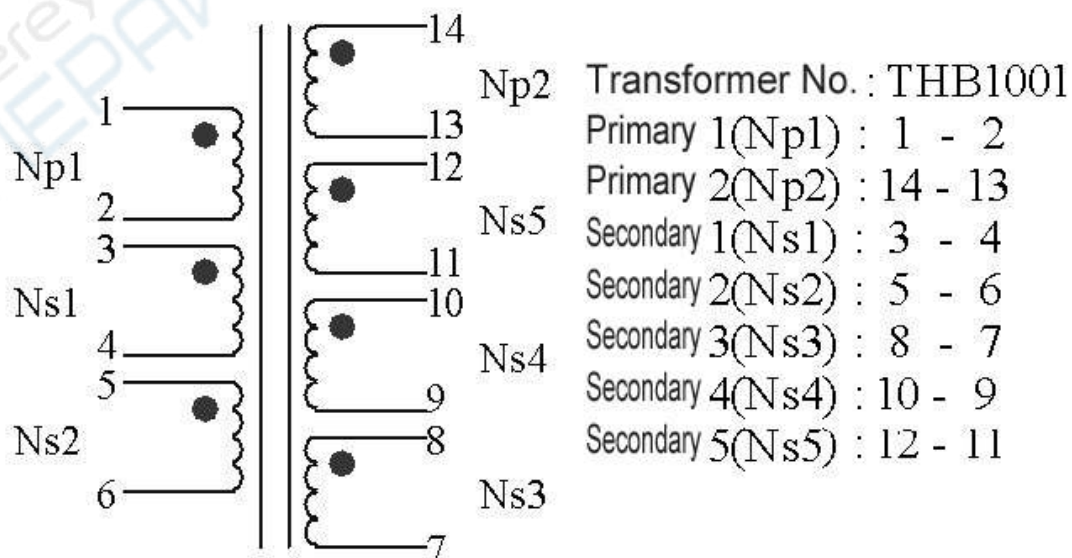
7.5.2 Distribution and connection diagram for HANDLER

The distribution and external circuit of HANDLER signal pin:



7.6 Example of transformer

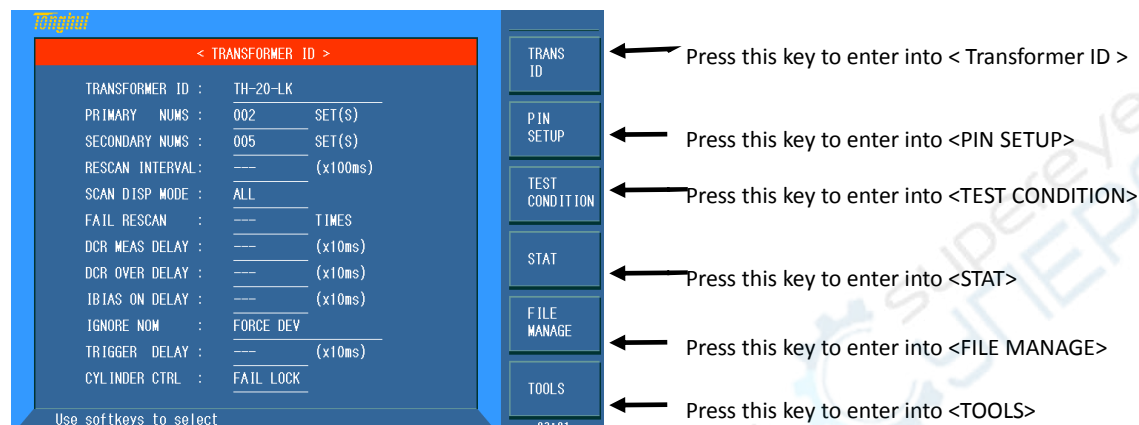
In order to understand the operation of transformer scanning test, the setting figures listed in the following chapters are based on the sample below.



The detailed information will be described in latter sections.

7.7 <Transformer ID>

Press [SYSTEM] and then select the instrument function as **TRANS SCAN** to enter into the <TRANSFORMER ID> page, shown as below:

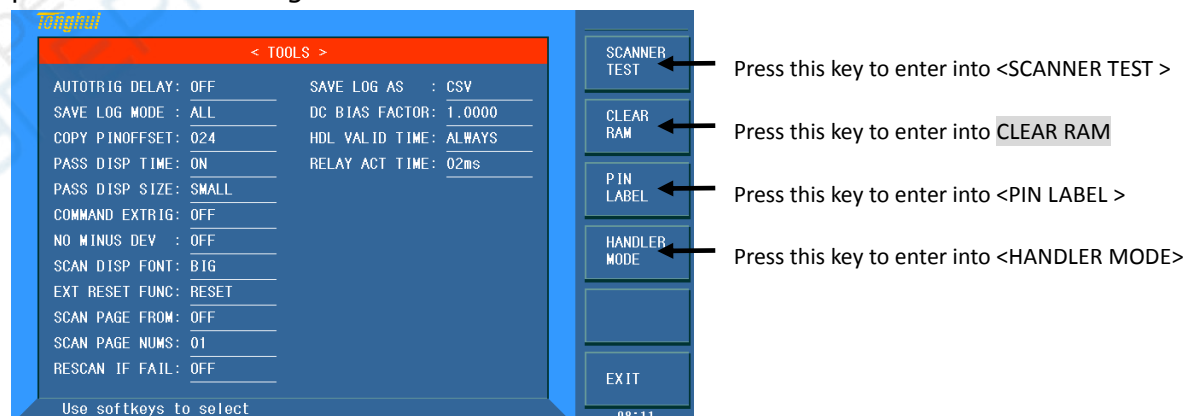


TH2829x703

<TRANSFORMER ID> includes the following parameters: transformer ID, primary numbers, secondary numbers, rescan interval, scan display mode, FAIL RESCAN, DCR measure delay, DCR over delay, I-bias ON delay, ignore nominal, trigger delay, cylinder control.

7.7.1 CLEAR RAM

When setting a new transformer ID test condition, user must execute **CLEAR RAM** to clear the unexpected data stored in the memory of the instrument (by this way, the new test conditions may occur unexpected error, the method is as below: On <TRANSFORMER ID> page, press TOOL to enter into the <TOOLS> page and press CLEAR RAM again.

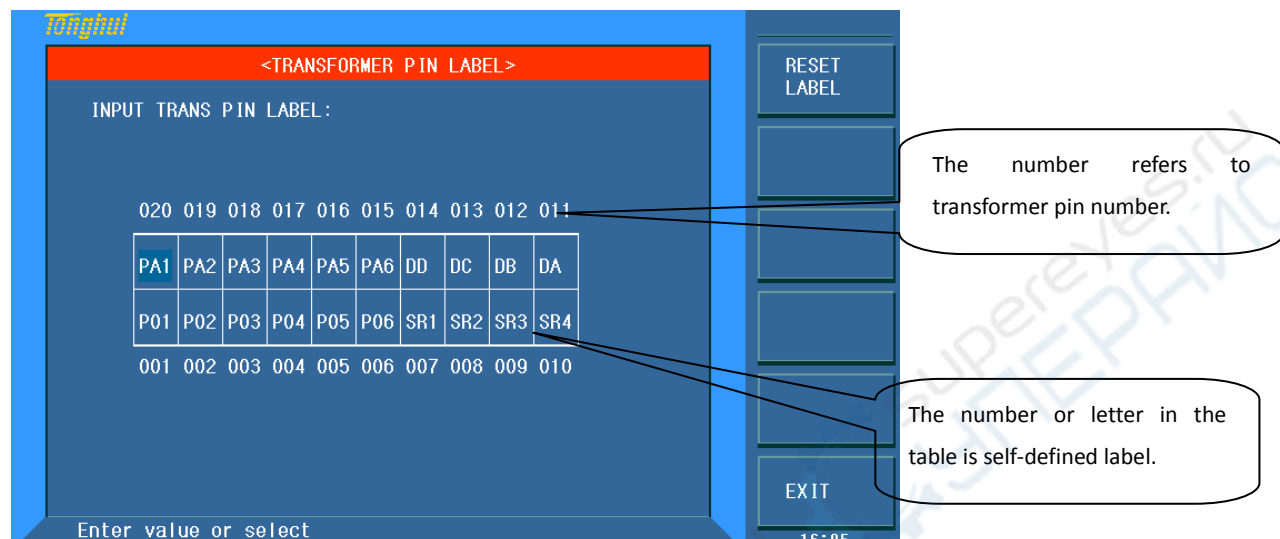


TH2829x704

User can restart the instrument to clear RAM.

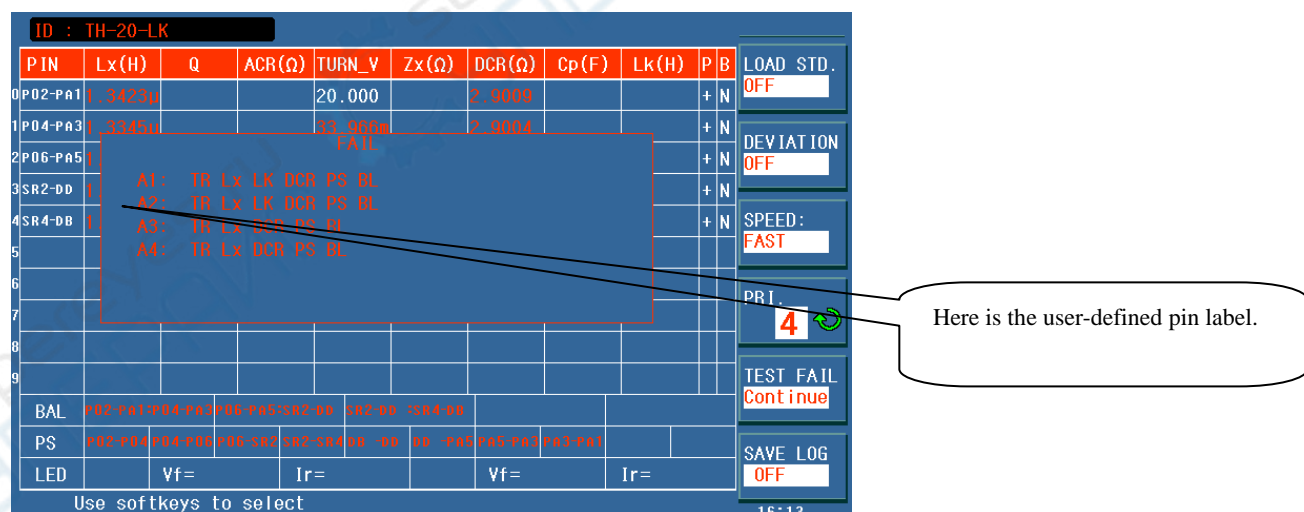
7.7.2 TRANSFORMER PIN LABEL

This function is used to set the original transformer pin number as user-defined number or letter.



TH2829x705

After setting the transformer pin label and the corresponding test conditions, the instrument will display the data in the mode of user-defined pin label on the transformer test display page, as shown below:



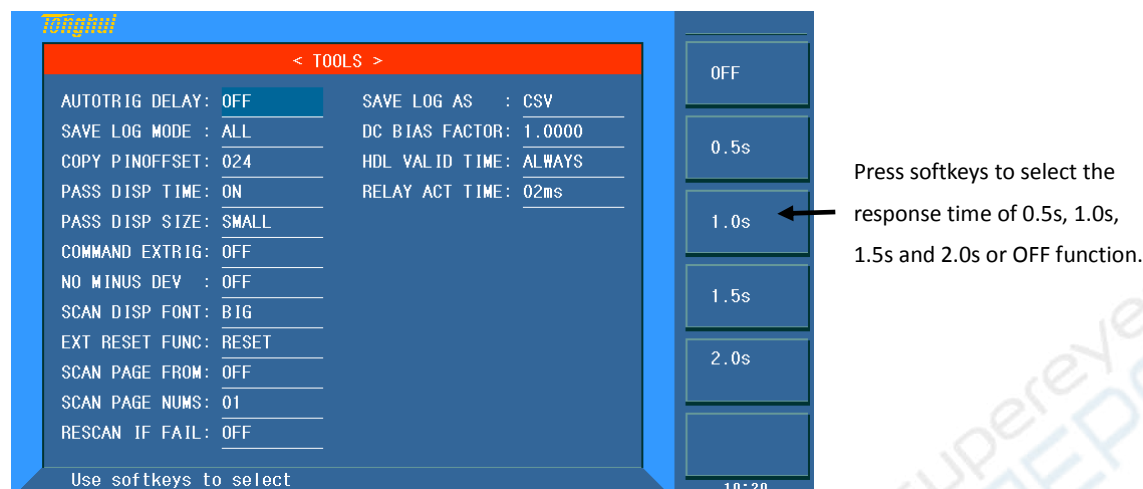
TH2829x706

7.7.3 AUTOTRIG DELAY

This function is used to trigger test automatically after the DUT has been placed on the test fixture.

On <TRANSFORMER ID> page, press **TOOLS** to enter into the <TOOLS> page

and move the cursor to AUTOTRIG DELAY, press the softkeys on the right to select the response time or OFF function of AUTOTRIG DELAY.

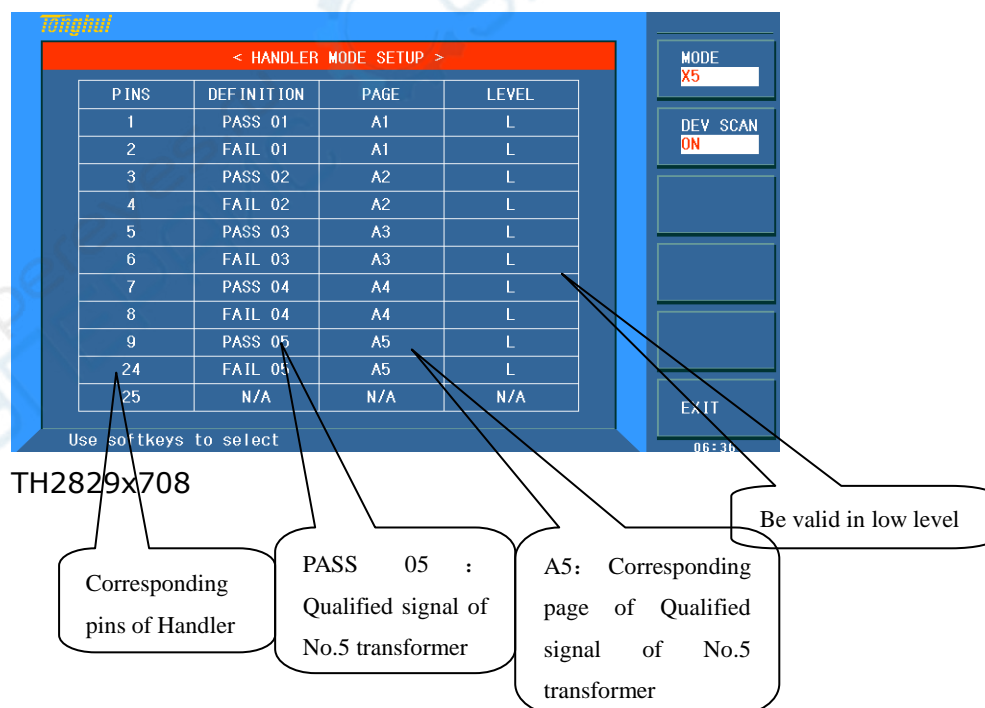


TH2829x707

7.7.4 HANDLER MODE

① When measuring several transformers, Handler can output the judgement results of each transformer(single page or two pages):

On <TRANSFORMER ID> page, press TOOL to enter into the <TOOLS> page and press HANDLER MODE to enter into the <HANDLER MODE> page. Select the MODE to change the mode from DEFAULT, LxLk, GD1|GD2, X2(TH2829AX_48), X4(TH2829AX), X5(TH2829AX_24, TH2829AX_48), X10(TH2829AX_48). Among which, only X5 of TH2829AX_48 needs two pages to set one transformer.



TH2829x708

NOTE:

L_xL_k: L_x PASS is the output of PIN1, FAIL is the output of PIN2; L_k PASS is the

output of PIN3, FAIL is the output of PIN4.

GD1|GD2: only test 2 pages of data, if one page of the two pages of data is PASS, output PASS signal PIN25, or output the FAIL signal PIN24.

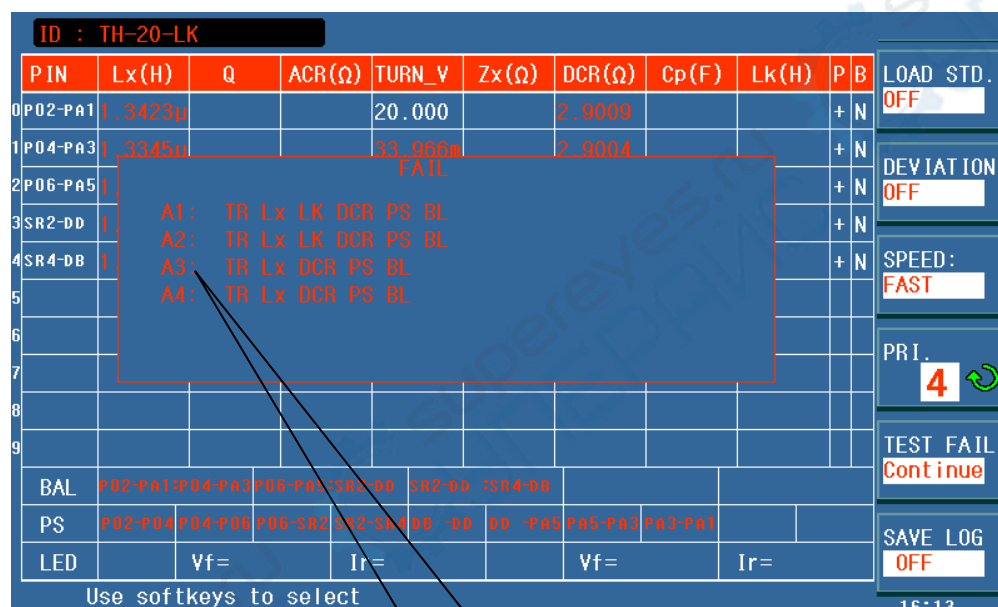
When using HFLX double cylinder scanner box, select DEFAULT to work normally.

②DEV SCAN

When using the same DUT to carry out deviation deduction of several transformers, select ON of this function can achieve one step test and deduct the same DUT. Also, it is convenient to put the DUT on another PIN of the transformer; after deviation deduction of all the transformers has been finished, this function will be turn off automatically, which is convenient for the follow-up test.

③FAIL interface of fail parameters of each transformer will change according to the Handler mode.

When selecting X10 Mode of TH2829AX-48, only 4 fail parameters can be displayed.

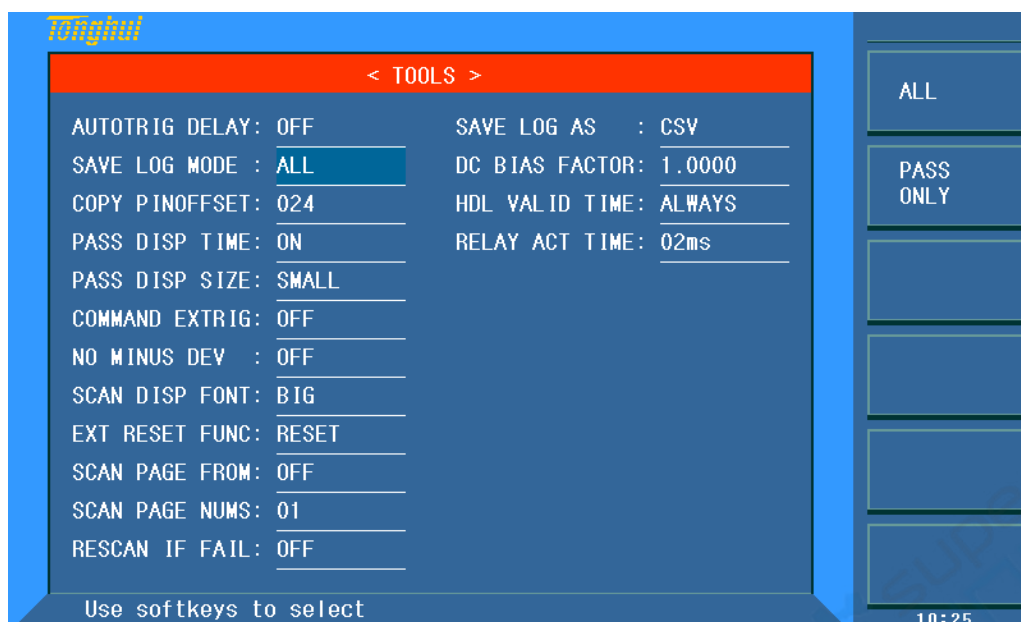


TH2829x709

A3: Fail parameters of Transformer No.3

7.7.5 SAVE LOG MODE

On <TOOLS> page, move the cursor to SAVE LOG MODE, press the softkeys on the right to select the corresponding functions.



TH2829x710

ALL the saved data is all the data.

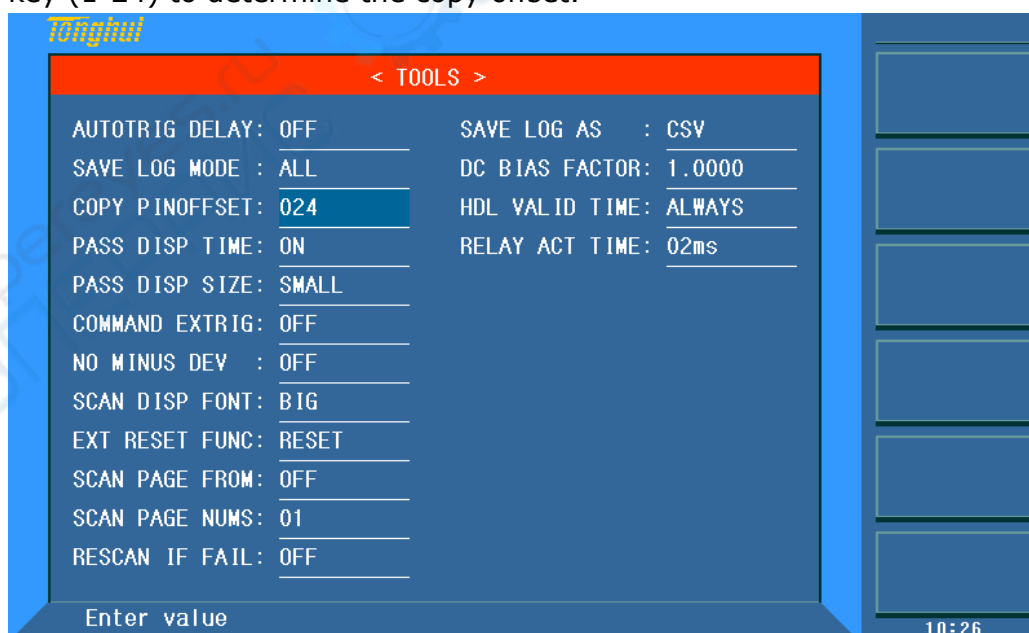
PASS ONLY the saved data is pass data only.

7.7.6 COPY PINOFFSET and COPY A=>ALL

This function is valid in TH2829AX-48 and TH2829NX multichannel transformer tester.

① COPY PINOFFSET

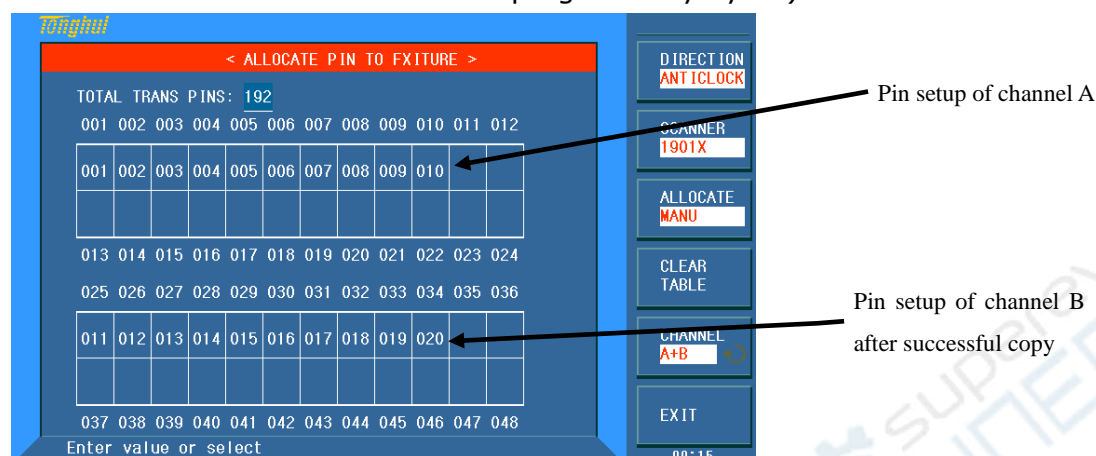
On <TOOLS> page, move the cursor to COPY PINOFFSET and press the number key (1-24) to determine the copy offset.



TH2829x711

This function is mainly used to copy the pin automatically when copying the transformer parameters(COPY A=>ALL).

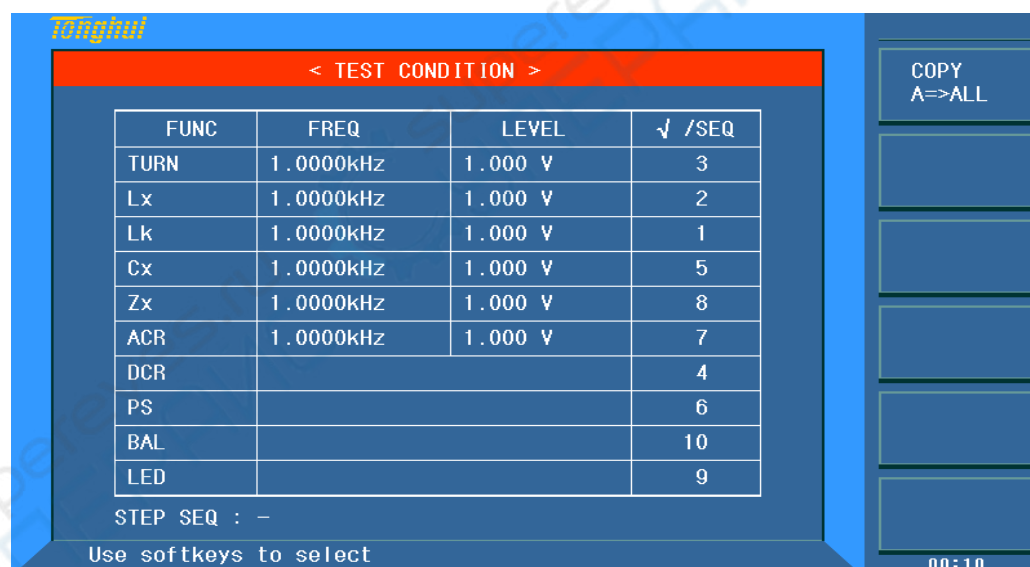
For example: on <ALLOCATE PIN TO FIXTURE> page, 10 pins has been set in channel A, if PIN11 is needed in channel B, set the COPY PINOFFSET as 10 and press COPY A=>ALL in <TRANS TEST CONDITION> page. (The PIN in Channel C-H of TH2829NX will be increased progressively by 10) The effect is as follows:



TH2829x712

②COPY=>ALL

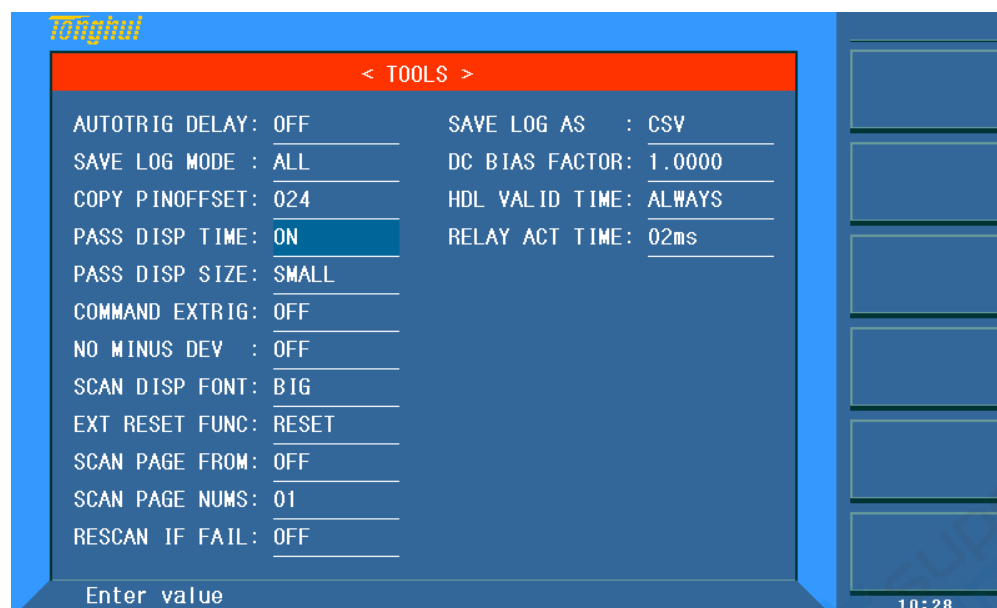
On <TEST CONDITION> page, press COPY=>ALL and then the setup parameters (TURN, Lx, Lk.....)of A1~5 and pin allocate can be copied to B1~5, C1~5,....., H1~5. The setup of test condition can be simplified.



TH2829x713

7.7.7 PASS DISP TIME

On <TOOLS> page, move the cursor to PASS DISP TIME and press the number key (0-200) to confirm the display time.



TH2829x714

This function is used to set the PASS display time after scanning. If the test result is FAIL, the result will be displayed all the time. This function is independent of RESCAN INTERVAL. For example, if PASS DISP TIME is set as 3 seconds and RESCAN INTERVAL is set as 4 seconds, PASS state will be maintained for 3 seconds and start testing after 1 second. If PASS DISP TIME is set as 3 seconds and RESCAN INTERVAL is set as 2 seconds, it will start testing after 2 seconds.

(NOTE: when entering 0, ON will be displayed in PASS DISP TIME and the result will be displayed all the time.)

7.7.8 PASS DISP SIZE

On <TOOLS> page, move the cursor to PASS DISP SIZE and press the function keys on the right to select LARGE or SMALL size.

This function is used to select the size of PASS display according to your requirement.

7.7.9 COMMAND EXTRIG

On <TOOLS> page, move the cursor to COMMAND EXTRIG and press the function keys on the right to select ON or OFF.

This function is used for automatic production. When COMMAND EXTRIG is ON, to start testing, the instrument must meet the following two conditions: external trigger, upper computer gives out the trigger order.

7.7.10 NO MINUS DEV

On <TOOLS> page, move the cursor to NO MINUS DEV and press the function keys on the right to select ON or OFF.

When NO MINUS DEV is ON, if the tested data is minus, the instrument will prompt error.

7.7.11 SCAN DISP FONT

On <TOOLS> page, move the cursor to SCAN DISP FONT and press the function keys on the right to select BIG or TINY.

When SCAN DISP FONT is TINY, the test speed can be improved.

7.7.12 EXT RESET FUNC

On <TOOLS> page, move the cursor to EXT RESET FUNC and press the function keys on the right to select the corresponding function.



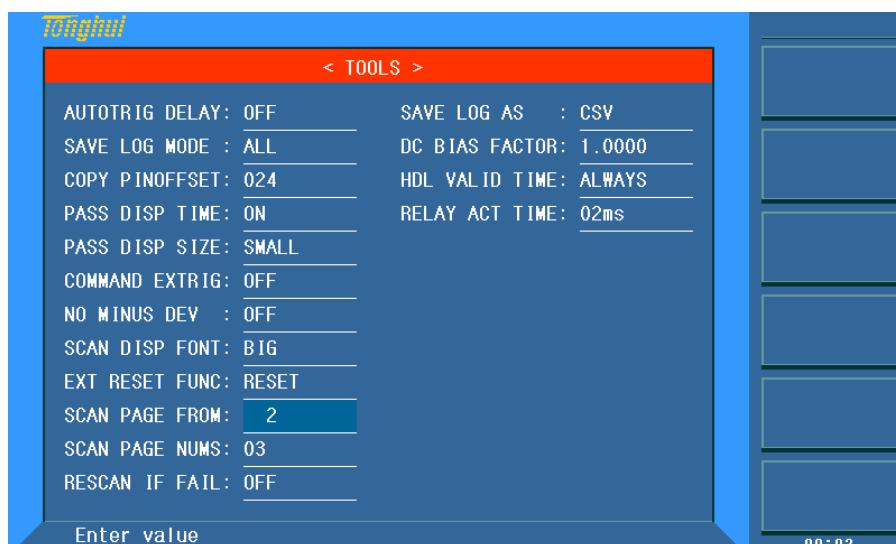
TH2829x715

When EXT RESET FUNC is RESET, the RST signal in Handler is only used as reset test function.

When EXT RESET FUNC is UNLOCK, if the defective product is tested, the instrument will lock the next test. Only when receiving RST signal in handler can the instrument be unlocked and start testing.

7.7.13 SCAN PAGE FROM and SCAN PAGE NUMS

On <TOOLS> page, move the cursor to SCAN PAGE FROM and press the number to confirm the sweep start page; move the cursor to SCAN PAGE NUMS and press the number to confirm the sweep page numbers needed from the sweep start page.



TH2829x716

As shown above, the SCAN PAGE FROM is 2, SCAN PAGE NUMS is 03. It means the test pages are 2, 3, 4, totally 3 pages.

NOTE: when "0" is entered in SCAN PAGE FROM, it means to turn off this function and the SCAN PAGE NUMS does not work (defaults to OFF).

7.7.14 RESCAN IF FAIL

On <TOOLS> page, move the cursor to RESCAN IF FAIL and press the number to confirm the rescan times if fails. It ranges from 1~9. When "0" is entered, this function is turned off.

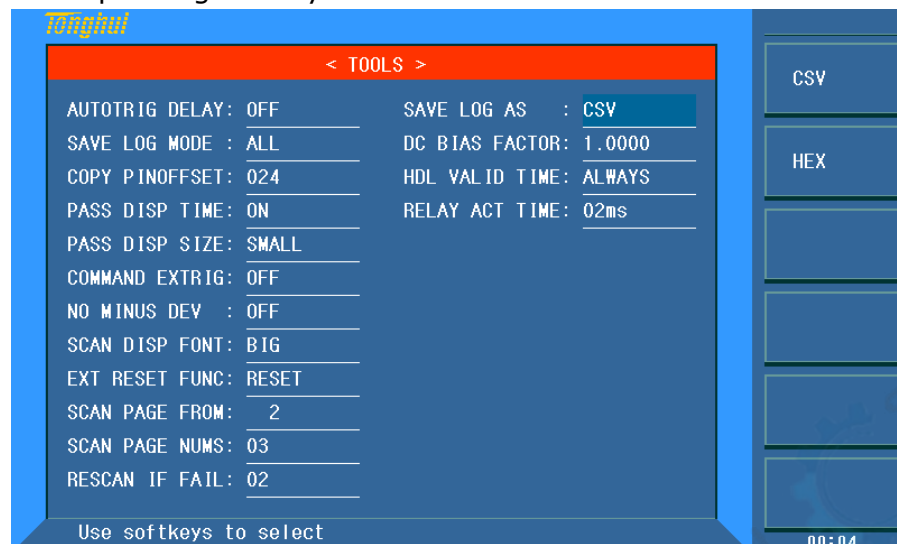


TH2829x717

NOTE: the time interval of RESCAN IF FAIL can be set in RESCAN INTERVAL in <TRANSFORMER ID> page.

7.7.15 SAVE LOG AS

On <TOOLS> page, move the cursor to SAVE LOG AS and press the corresponding softkey to select CSV or HEX as the save format.



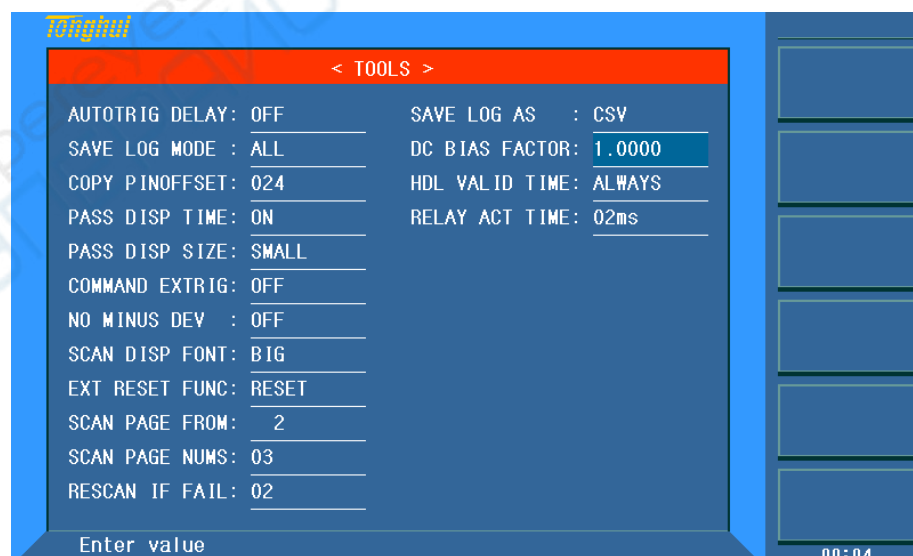
TH2829x718

After selecting the data save format, set the SAVE LOG as ON in <TRANS MEAS DISP> page and then the data can be automatically saved after testing.

NOTE: when using HEX format to save the data, the corresponding transformer setup files will be generated under the CSV folder and then the data can be viewed through the analysis (HEX+setup files) of the upper computer software.

7.7.16 DC BIAS FACTOR

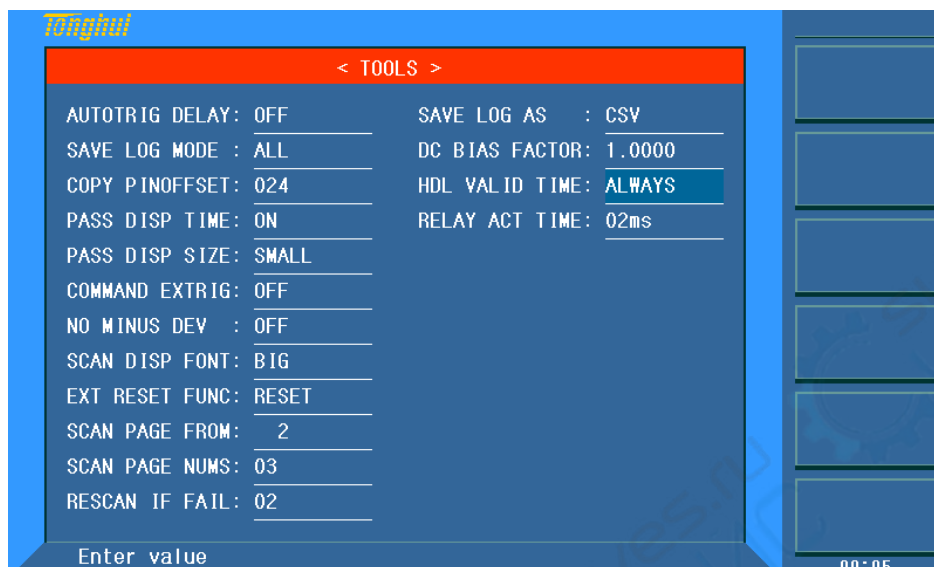
On <TOOLS> page, move the cursor to DC BIAS FACTOR and press the number to confirm. It ranges from 0.5-1.5. The default value is 1.0.



TH2829x719

7.7.17 HDL VAL ID TIME

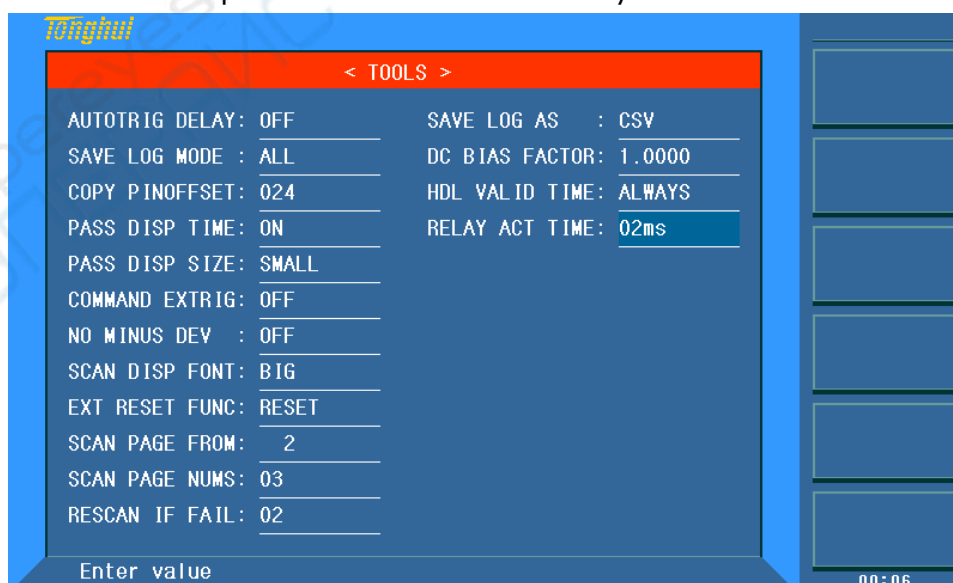
On <TOOLS> page, move the cursor to HDL VAL ID TIME and press the number to confirm. It ranges from 1-255 and indicates the valid time of handler signal is 1-255ms. When 0 or number greater than 255 is entered, ALWAYS is displayed and it indicates the handler signal is always valid.



TH2829x720

7.7.18 RELAY ACT TIME

On <TOOLS> page, move the cursor to RELAY ACT TIME and press the number to confirm. It ranges from 2-10 (ms) and indicates the switch act time of relay in scan box or scan board. Due to the aging of the relay, appropriately increase the act time to keep the measurement accuracy.

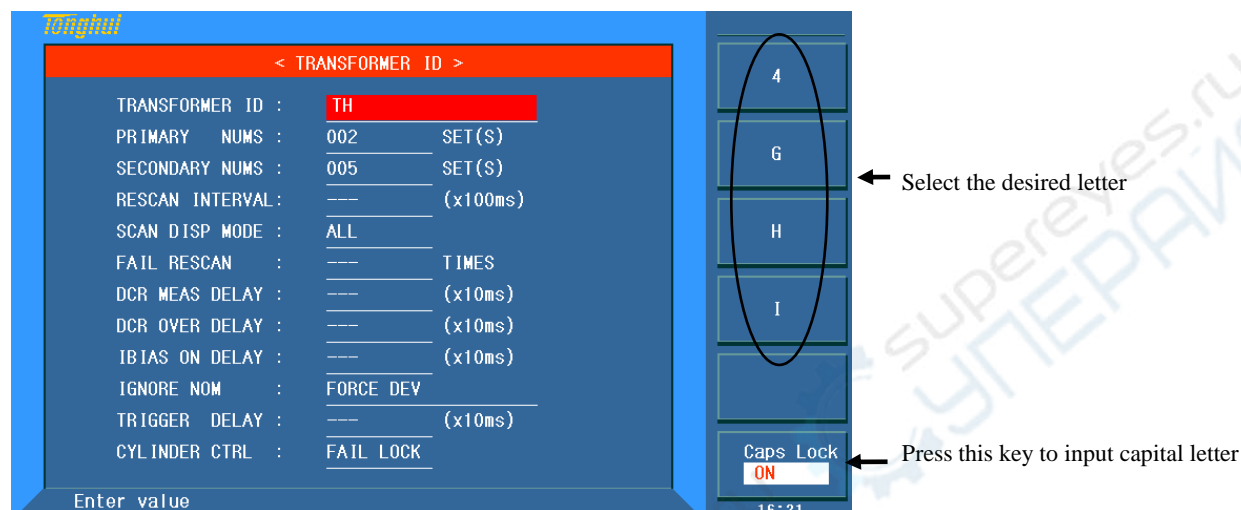


TH2829x721

7.7.19 Transformer ID

In this zone, user can input the transformer ID (file name when the testing file is saved.) The setting methods are as follows:

1. Select the desired letter as the way shown in the following figure.



TH2829x722

2. User the numeric key to input numbers.
3. Press [ENTER] to confirm.

7.7.20 PRIMARY NUMS

This zone is used to input the transformer primary winding group.

For transformers with multi-magnetic core, it is necessary to set more PRI. The range of primary winding group is 1 to 4 (TH2829AX-24: 1~5; TH2829AX-48: 1~10; TH2829NX:1~40).

7.7.21 SECONDARY NUMS

This zone is used input the transformer secondary winding group. The range of secondary winding group is 1 to 9.

7.7.22 RESCAN INTERVAL

This zone is used to input the interval time of auto continuous test.

The range of auto test interval is 0 to 60; 0 will not be displayed, which means there is no auto continuous test.

Note: (s/10) means the unit is 1/10s (the same as below).

7.7.23 SCAN DISP MODE

This zone is used to set the judge display option which is used to control the display mode in the process of scanning test. There are totally 4 modes:

- **PASS/FAIL:** It means the scanning test data of each parameter will not be displayed one by one, only PASS/FAIL will be displayed, thus the test speed can be improved.
- **DATA ONLY:** It means the scanning test data of each parameter will be displayed one by one, but PASS/FAIL will not be displayed. By doing this, users can check more test details.
- **ALL:** It means the test data of each parameter will be displayed one by one and PASS/FAIL will also be displayed.
- **FAIL LIST:** It means the test data of each parameter will be displayed one by one and FAIL parameters and its limit value setting will be displayed on the center screen. If there are more than 6 parameters,will be displayed.

7.7.24 FAIL RESCAN

This zone is used to set the times of retesting for defective products, which can increase the final measurement accuracy. The range of retesting is 0 to 9.

7.7.25 DCR MEAS DELAY

This zone is used to set DC resistance delay test. Generally, it is necessary to set this parameter when the tested inductance is larger than 100mH.

DCR test delay range: 0 to 99. When 0 is selected, the delay will not be displayed and indicating that no delay is set.

NOTE: (10*ms) is the delay rate. For example, when inputting 2, the delay is 20ms.

7.7.26 DCR OVER DELAY

This zone is used to set the delay after DC resistance test finishes. Generally, it is necessary to set this parameter when the tested inductance is larger than 100mH.

DCR OFF delay range: 0 to 99; When 0 is selected, the delay will not be displayed and indicating that no delay is set.

NOTE: (10*ms) is the delay rate. For example, when inputting 2, the delay is 20ms.

7.7.27 IBIAS ON DELAY

This zone is used to set the delay when a DC current bias is used to test. The delay range is 0 to 99. When 0 is selected, the delay will not be displayed and indicating that no delay is set.

NOTE: The function of (10*ms) is the same as above.

7.7.28 IGNORE NOM

This zone has two functions, one is to make test by ignoring nominal values while the other one is to limit deviation deducting. The two functions is related to nominal value.

- **FORCE DEV:** When selecting this item, deducting deviation cannot be limited by STD. This is to say, the deduction can be performed even the deviation between the test value and STD is large. For example, transformer pins are inserted wrong.
- **FORCE TEST:** When this item is selected, if the winding pins are set, the parameters to be tested can be measured without setting standard value. This function is convenient for user to test if the standard value of the sample is unknown.
- **SKIP TEST LMTED DEV:** When this item is selected, it means winding pins have been set but the standard value has not. In this condition, the parameter will not be tested in the process of test. This mode will be limited by standard value when deducting deviation. The deduction cannot be successful if the deviation between the test value and the standard value is too large.

7.7.29 TRIGGER DELAY

This zone is used to delay time from the instrument being triggered to scanning starts.

Delay range: 0 to 99. When 0 is selected, the delay will not be displayed and indicating that no delay is set.

7.7.30 CYLINDER CTRL

This zone is used to set the switch of cylinder 24V power.

- ON: Output of 24V cylinder power is allowed.
- OFF: Output of 24V cylinder power is forbidden.
- FAIL HOLD: FAIL product has been detected and the test is stopping.
- FAIL LOCK: FAIL product has been detected and the instrument has been locked. Only when the correct password is input, the instrument will be unlocked.

7.8 ALLOCATE PIN TO FIXTURE

7.8.1 PIN TO FIXTURE

On <Transformer ID>, press the **PIN SETUP** key till the **Pin to Fixture** page appears.

The page is used to realize the correspondence of pin and fixture and set the transformer pins.

The setting steps are as follows: (Figure below shows the anticlockwise correspondence relation of pins, where, Pin 1 of the sample transformer connects with the Pin 2 of the fixture.)

1. Press **Man/Auto**.
2. If selecting manual switch, the cursor should be moved to the corresponding pin position one by one so as to input corresponding transformer pin. Note: Inputting 0 means to clear the corresponding pin input.
3. If selecting auto switch, then **Clock wise/ Anti-clock** must be selected. Move the cursor to the corresponding fixture position and input the corresponding transformer pin 1.

The screenshot shows the 'ALLOCATE PIN TO FIXTURE' menu with the following components:

- Header:** < ALLOCATE PIN TO FIXTURE >
- Info:** TOTAL TRANS PINS: 014
- Grid:** A 2x8 grid for pin mapping. The top row is labeled 020-011 and the bottom row 001-010. The current mapping is:

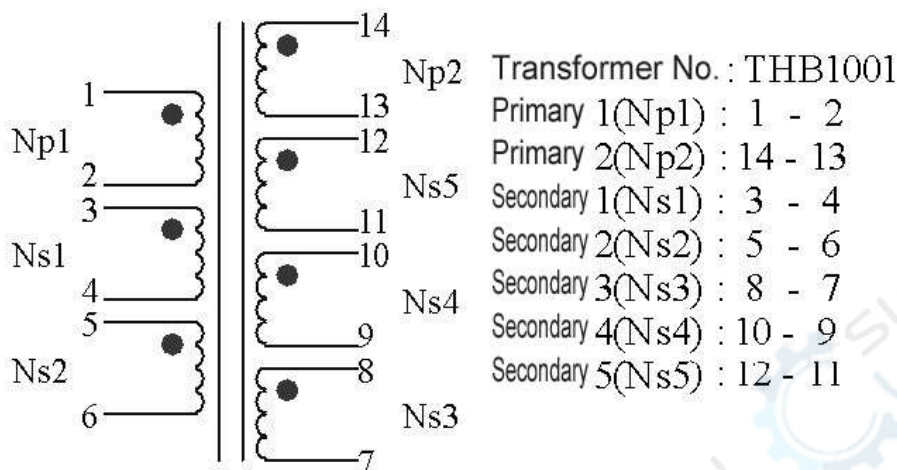
014	013	012	011	010	009	008	
001	002	003	004	005	006	007	
- Bottom:** Enter value or select
- Right Panel:**
 - DIRECTION ANTICLOCK:** Press the key to switch Clockwise/ Anti-clock
 - SCANNER HFLX:** Press the key to switch HFLX/1801X/1901X
 - ALLOCATE AUTO:** Press the key to switch Man/ Auto
 - CLEAR TABLE:** Press the key to clear pin setting
 - FILE MANAGE:**
 - EXIT:** Press the key to quit the Pin to Switch page
- Callouts:**
 - TH2829x723: Pin number of the fixture
 - Pin number of the transformer

7.8.2 HFLX

When using double cylinder scanner, HFLX should be selected in <SCANNER> and DEFAULT should be selected in <HANDLER MODE>.

7.9 PIN SETUP

On transformer pin switch page, press **PIN SETUP** till the appearance of <TRANSFORMER PIN SET> page, the page is used to set the pin of each winding group. Please have a look at the figure of transformer and pin setup.



The following is the figure of PRI: 1 (PRI: 1 is used as the primary winding group of Np 1):

PRI:	TRANSFORMER		FIXTURE	
PHASING	+	-	+	-
PRI. 1	001	002	002	003
SEC. 1	003	004	004	005
SEC. 2	005	006	006	007
SEC. 3	008	007	013	008
SEC. 4	003	006	004	007
SEC. 5	003	004	004	005

Buttons and instructions:
 SERIES PINSET → Press the key to enter <SERIES PINSET>
 PARALLEL PINSET → Press the key to enter <PARALLEL PINSET>
 PIN TO FIXTURE → Press the key to enter PIN to FIXTURE
 PRI: 1 → Press the key to enter PRI: 1
 TEST CONDITION → Press the key to enter TEST CONDITION

TH2829x724

Connect Ns1 and Ns2 in series to execute test. It is necessary to set pins in series connection.

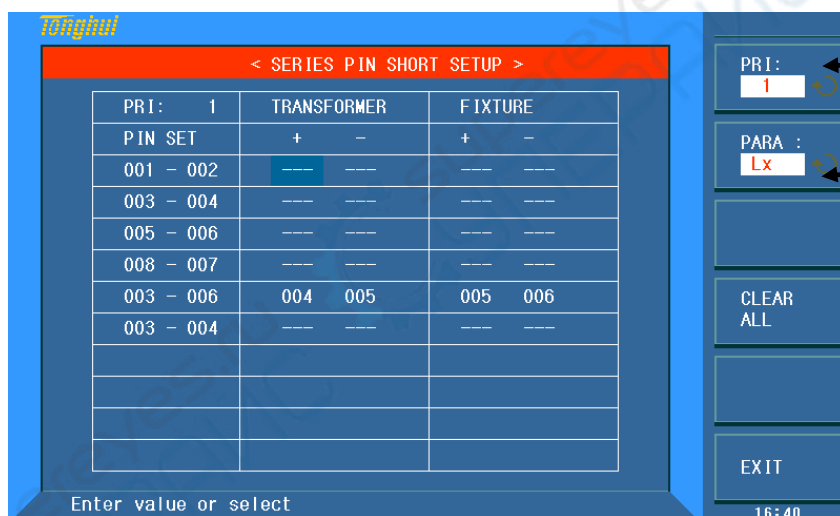
Connect Ns1 and Ns2 in parallel to execute test. It is necessary to set pins in parallel connection.

The following figure is the pin setting page of PRI:2 (PRI: 2 is available when Np2 is used as primary winding group.)



TH2829x725

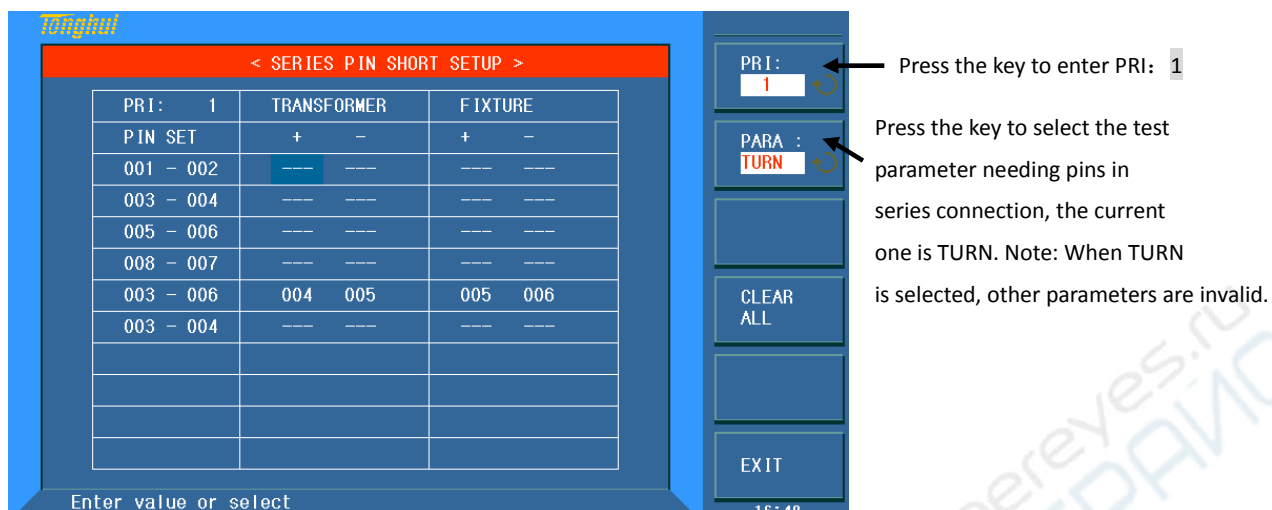
7.10 SERIES PIN SHORT SETUP



Press the key enter PRI: 1
 Use the rotary knob to turn pages.
 Press the key to select the test parameter needing pins in series connection, the current one is Lx.
 Note: When Lx is selected, other parameters are invalid.

TH2829x726

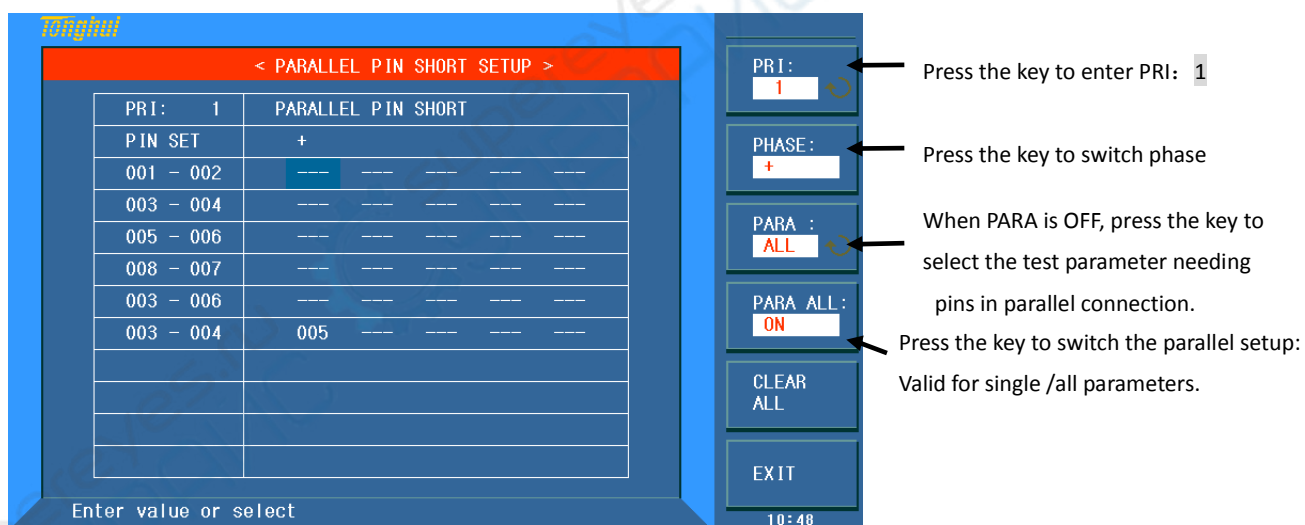
Above figure shows the short pin setup when series transformers Ns1 and Ns2 test Lx.



TH2829x727

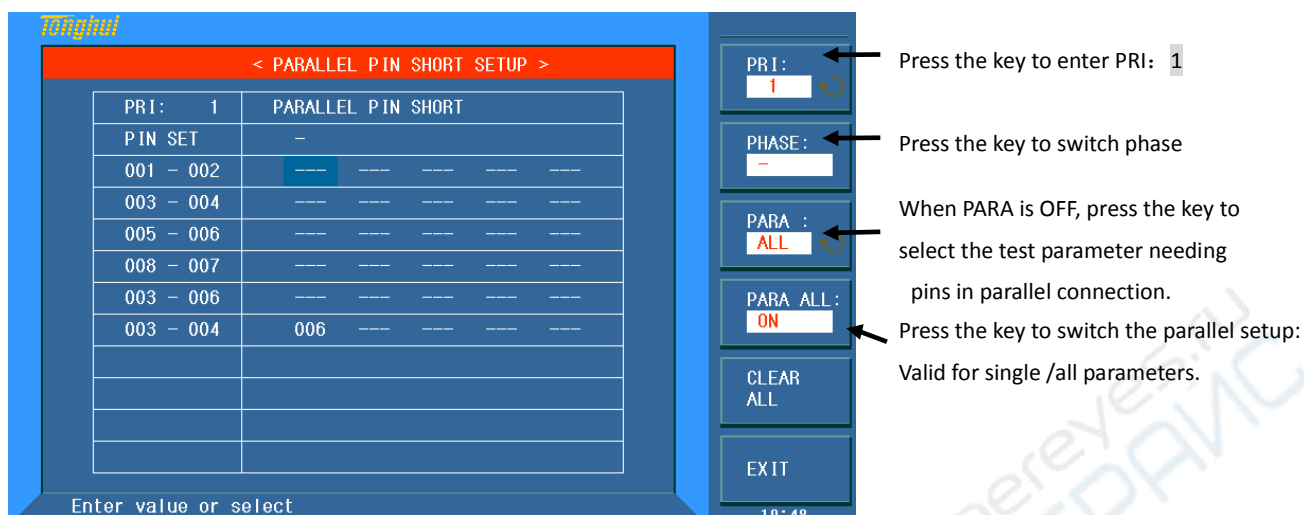
Above figure shows the short pin setup when series transformers Ns1 and Ns2 test TURN.

7.11 PARALLEL PIN SHORT SETUP



TH2829x728

Above figure shows the short pin setup of the + terminal when series transformers Ns1 and Ns2 tests.



TH2829x729

Above figure shows the short pin setup of the - terminal when series transformers Ns1 and Ns2 tests.

7.12 <TRANS TEST CONDITION>

The page is used to set the parameters of untested transformer and test compare conditions. The parameters are as follows: TURN, Lx (inductance), Q (quality factor), L.K. (leakage inductance), Cx (turn-turn distribution capacitance), Zx (impedance), ACR (AC resistance), DCR (DC resistance), PS (pin short detection), BL (balance) and LED (diode).

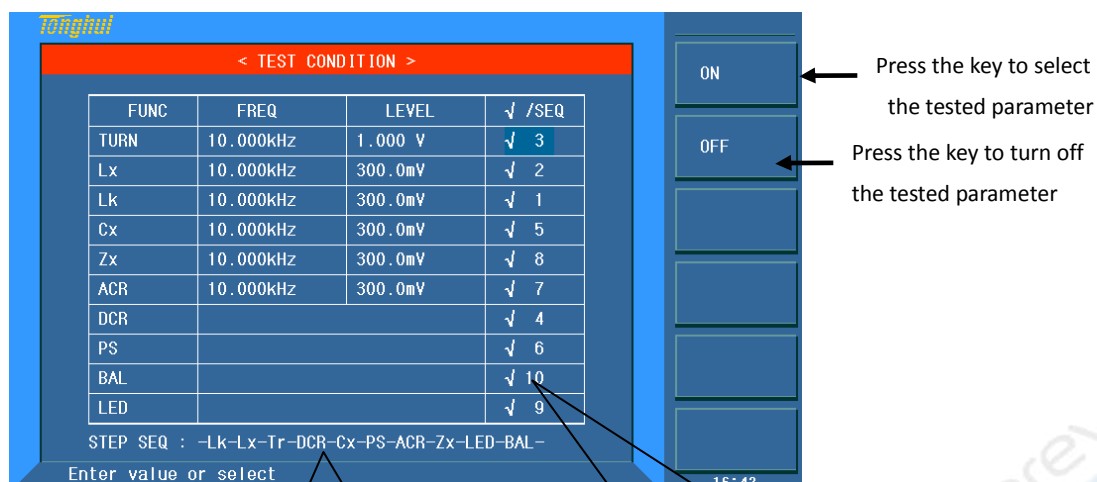
The scanning sequence can also be changed, as well as the test frequency, voltage and mode, etc.

7.12.1 Frequency, voltage, switch and scanning sequence

Each parameter has 4 variables: frequency, level, ✓/✗ and scanning sequence. Move the cursor to the corresponding setting zones to modify frequency and level.

Note:

- Frequency: 20Hz to 200kHz
- Turn ratio (test level): 5mV to 10V
- Primary inductance, leakage inductance (test level): 5mV to 2V
- ✓/✗ consists of ON and OFF; When On is selected, the corresponding parameters will be valid, otherwise, the parameter is invalid.
- The number of scanning sequence is in the same line with ✓/✗, and users can input numbers to change it. **BAL is automatically set as the last item10.**



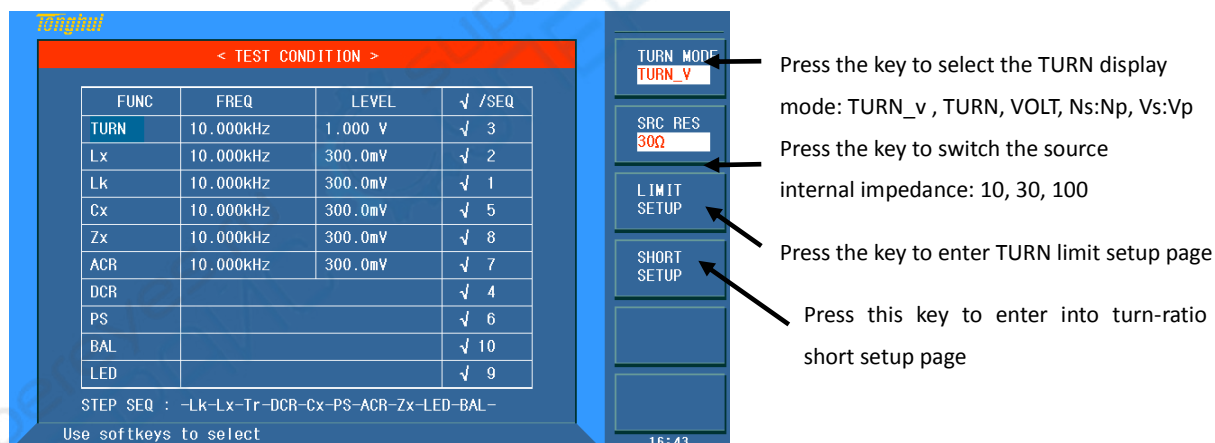
TH2829x730

This line displays the scanning sequence of each parameter.

The number is the sequence of each parameter and it can be modified by inputting numbers. √ means this parameter is selected.

7.12.2 Setting TURN test conditions

On <TEST CONDITION> page, move the cursor to the TURN zone.



TH2829x731

7.12.2.1 TURN MODE

7 modes can be selected when TH2829X tests TURN.

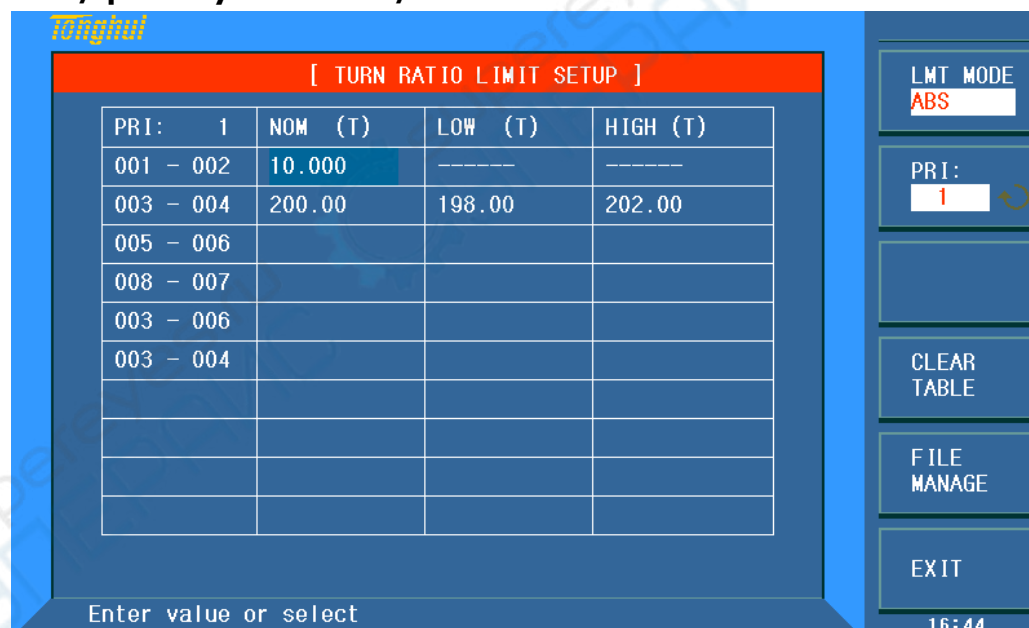
- **TURN_v** = primary nominal * secondary voltage/ primary voltage. This mode is used test transformer turn number.
- **TURN** = primary nominal * secondary turn/ primary turn. When the primary inductance is small, using this mode can test the turn number more accurately. But, when testing magnetic core with high magnetic conductivity, in such mode, the data will be unstable due to the polarized magnetic core.

- **VOLT** = Primary test voltage * secondary voltage / primary voltage
- **Vs:Vp** = Secondary voltage/ primary voltage
- **Ns:Np** = Secondary turn/ primary turn
- **TURN_L**= Inductance ratio mode
- **Np:Ns** = Primary turn/ secondary turn
- **Lp:Ls** = Primary inductance/ secondary inductance

It is recommended to put the windings with multi-turns in the primary turn ratio, the reasons are as follows:

1. By the influence of output internal resistance (10, 30, 50, 100), when the primary inductance is small, the distributed voltage signal will also be small and the energy the transformer gets is also weak. The test cable and the relay will attenuate a part of energy, so the stability and accuracy will be affected.
2. If the primary signal is forced to be enlarged, then the voltage generated by secondary multi-winding will be high and it may be over the range of the instrument and thus further affect the test accuracy.
3. If the winding with multi-turns is put in primary test, then the energy of the transformer will be strong and above 2 problems can be ignored.

When testing turn, the software version since March 30, 2013 can set the primary winding as lesser turns and set secondary winding as more turns. **Secondary turn/ primary turn** ≤ 100/1.



TH2829 x732

7.12.2.2 TURN source internal resistance

When testing TURN, TH2829X provides 4 source internal resistance modes:

- **10/CC** When the primary inductance is small, using **10/CC** internal resistance can improve the stability of testing TURN.
- **30Ω** This mode is most commonly used in testing TURN.

- **50Ω** This mode is most commonly used in testing TURN.
- **100Ω** When testing the magnetic core with high magnetic inductivity, using **100Ω** internal resistance can reduce the polarization to improve the accuracy and stability of testing Lx.

7.12.2.3 Setting TURN limits

Turn ratio limit setup page is used to set the nominal values and high and low limits to TURN.

Move the cursor to the corresponding zones and use numeric keys, corresponding soft keys and [ENTER] to fulfill the setup.

Press this key to select Δ% mode or ABS (Absolute) mode

Press this key to enter PRI: 1

No nominal value here and no test in the process of scanning, except **Ignore:TEST**, the following is the same.

PRI:	1	NOM (T)	LOW (T)	HIGH (T)
001 - 002	100.00	-----	-----	-----
003 - 004	50.000	48.000	52.000	
005 - 006	50.000	48.000	52.000	
008 - 007	30.000	28.000	32.000	
003 - 006	100.00	96.000	104.00	
003 - 004				

TH2829x733

7.12.2.4 Turn-Ratio Short Set

When testing transformer turn number, user can set the shorted pins on this page.

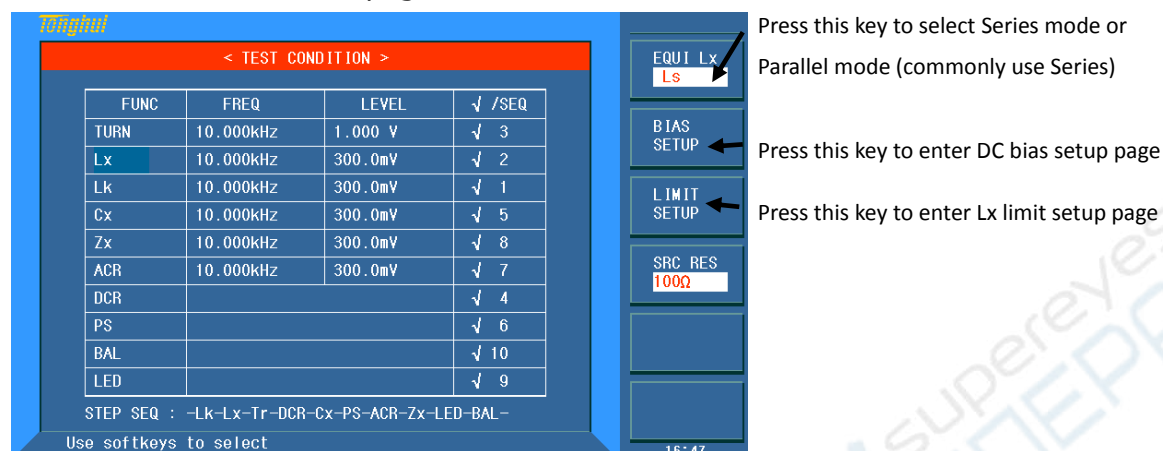
Input pins to be shorted

SEC:	1	SHORTED PINS
003 - 004	005 006	-----

TH2829x734

7.12.3 Setting Lx test conditions

On <TEST CONDITION> page, move the cursor to the Lx zone.



TH2829x735

7.12.3.1 Setting Lx multi-frequency

If it is necessary to test different pins with different frequencies, move the cursor to the Lx frequency zone on < TEST CONDITION > page.



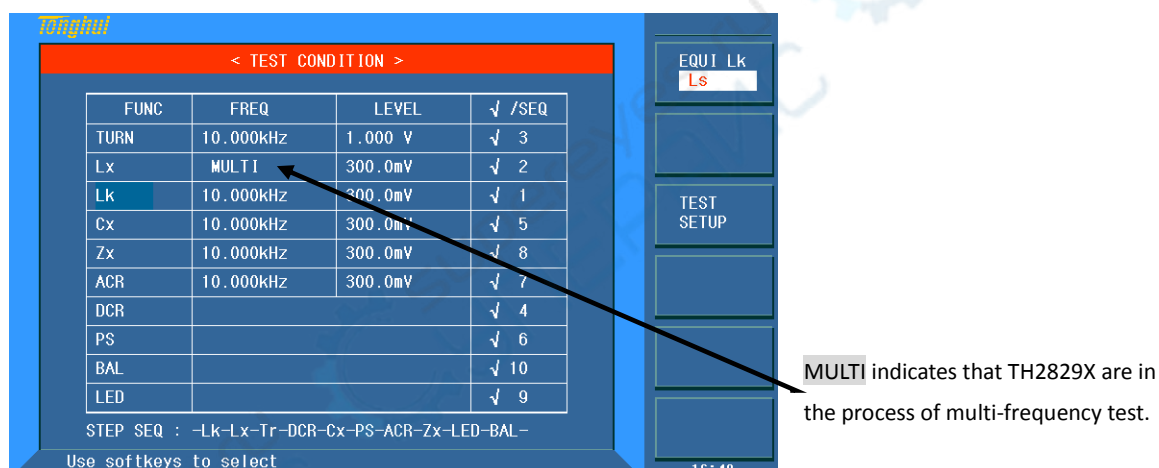
TH2829x736

On Lx multi-frequency test setup page, the frequency setup of different pins is as the figure below:



TH2829x737

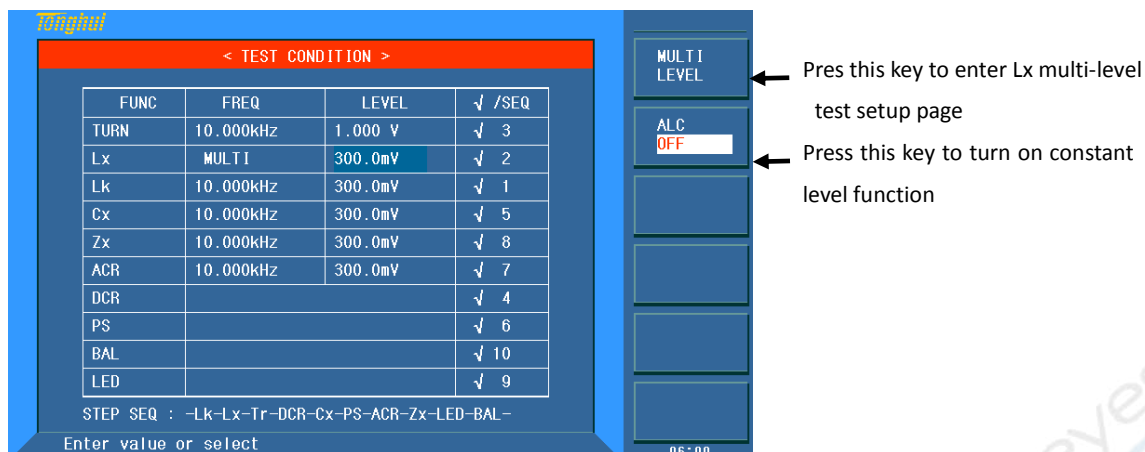
After exiting from multi-frequency setup, MULTI will be displayed in the Lx frequency zone indicating that the instrument is in Lx multi-frequency test, as shown below:



TH2829x738

7.12.3.2 Setting Lx multi-level

If it is necessary to test different pins with different levels, move the cursor to the Lx level zone on < TEST CONDITION > page.



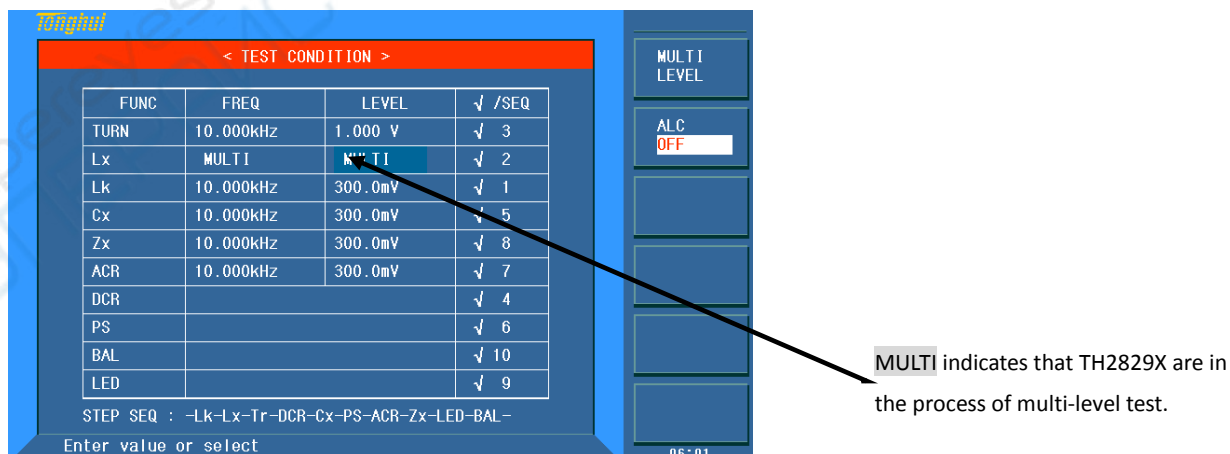
TH2829x739

On Lx multi-level test setup page, the level setup of different pins is as the figure below:



TH2829x740

After exiting from multi-frequency setup, MULTI will be displayed in the Lx frequency zone indicating that the instrument is in Lx multi-level test, as shown below:



TH2829x741

7.12.3.3 Setting Lx limits

PRI:	1	NOM (H)	LOW (%)	HIGH (%)
001 - 002	1.0000m	-5.00	5.000	
003 - 004	300.00μ	-5.00	5.000	
005 - 006	300.00μ	-5.00	5.000	
008 - 007	220.00μ	-5.00	5.000	
003 - 006	1.0000m	-5.00	5.000	
003 - 004	300.00μ	-5.00	5.000	

Enter value or select

16:51

Press this key to select Δ% mode or ABS (Absolute) mode

Press this key to enter PRI: 1

Press this key to enter the Limit setup page of Q

TH2829x742

7.12.3.4 Setting Q limits

PRI:	1	NOM ()	LOW ()	HIGH ()
001 - 002	10.000	9.0000		
003 - 004	10.000	9.0000		
005 - 006	10.000	9.0000		
008 - 007	10.000	9.0000		
003 - 006				
003 - 004				

Enter value or select

16:51

Press this key to select Δ% mode or ABS (Absolute) mode

Press this key to enter PRI: 1

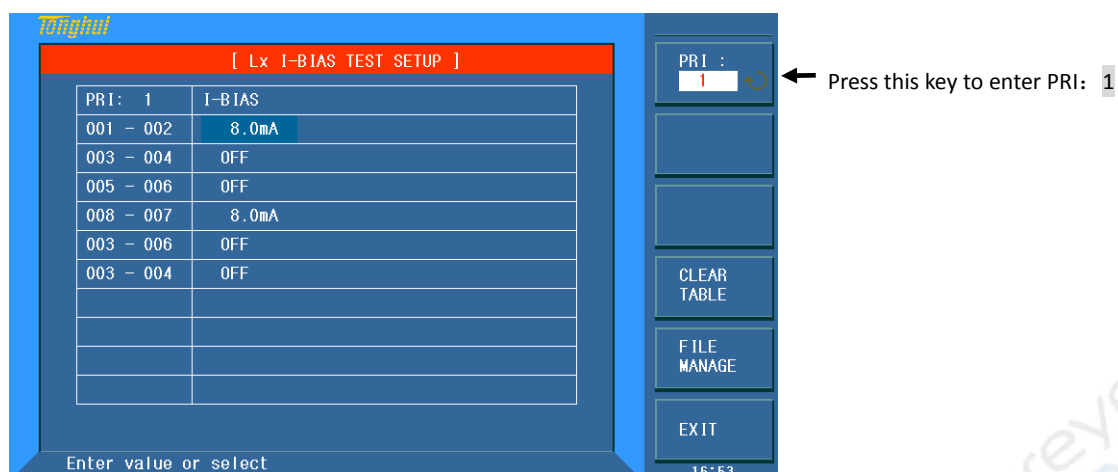
Press this key to switch Q compare switch

TH2829x743

7.12.3.5 Setting Lx DC bias

TH2829x provides 100mA internal DC bias source as the standard bias source. 1A internal DC bias source is an optional accessory. Setting current value, users can set the current as 1A at most so as to be compatible with the stored file.

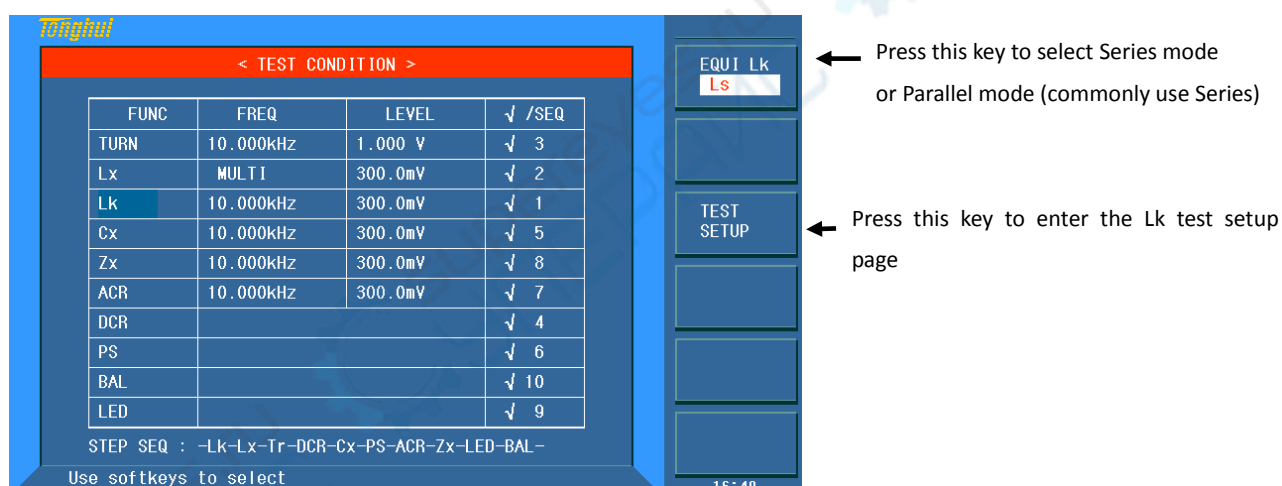
Note: If users do not install corresponding DC bias source board, then the instrument will prompt "NO BIAS CARD" and [BIAS] indicator will not light up.



TH2829x744

7.12.4 Setting Lk test conditions

On <TEST CONDITION> page, move the cursor to Lk zone.

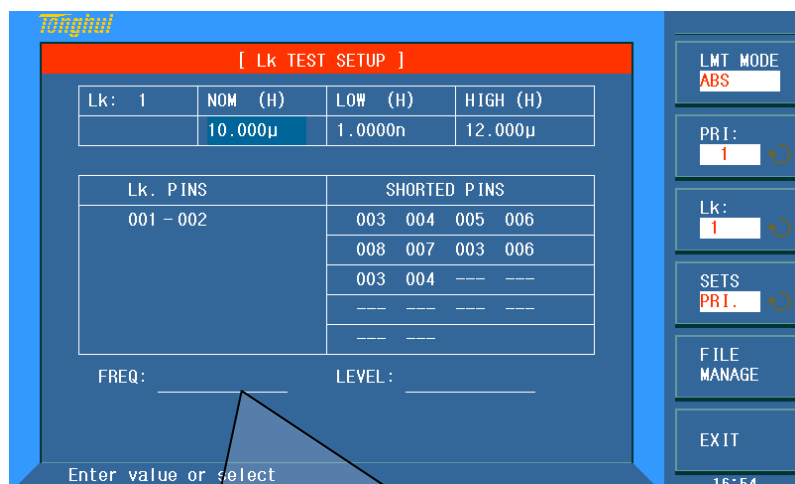


TH2829x745

7.12.4.1 Lk test setup page

The pin input of Lk can be performed automatically or manually.

- Input Lk pins automatically: Press the **Winding** soft key, the instrument will automatically select the corresponding winding pins to input to the leakage-inductance pin zone, and the other winding pins are input to short pin zone.
- Input Lk pins manually: User can input the leakage-inductance pins and the short pins flexibly. Move the cursor to the corresponding zone and use numeric keys to input.



- Press this key to select Δ% mode or ABS (Absolute) mode
- Press this key to enter PRI: 1
- Press this key to switch the Lk serial number, the maximum number is 9
- Press this key to switch the Lk winding, and then automatically input the tested pins and the short pins

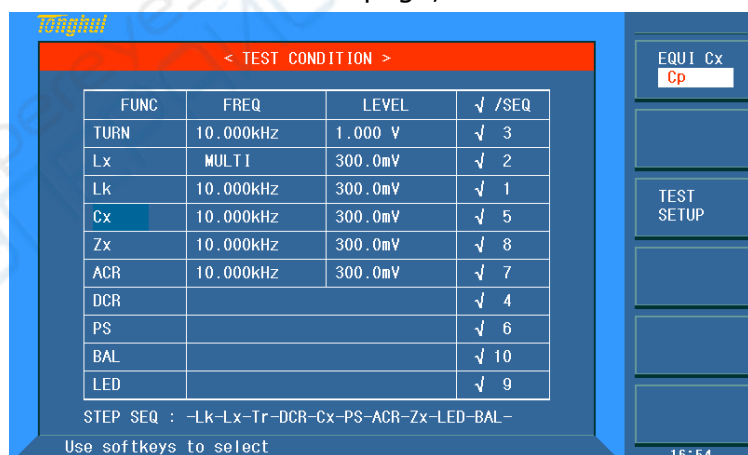
Input the frequency required to make multi-frequency test. The next item is the voltage level. If this zone is blank, the frequency and the voltage on <TEST CONDITION> will be automatically used in the process of measurement.

TH2829x746

If users need to test Lk under different frequencies and voltages, input the frequencies and the voltages of different Lk serial number on **FREQ:** and **LEVEL:**
 Note: If multi-frequency and multi-voltage is not required, do not input any value on the **FREQ:** and **LEVEL:** zone.

7.12.5 Setting Cx test conditions

On <TEST CONDITION> page, move the cursor to the Cx zone.

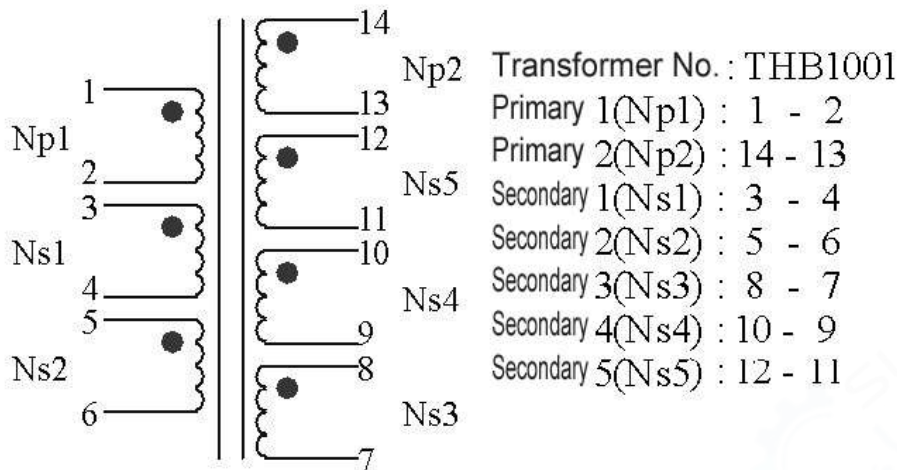


- Press this key to select Series mode or Parallel mode (commonly use Series)
- Press this key to enter the Cx test setup page

TH2829x747

7.12.5.1 Cx test setup page

The following figure shows the example transformer. Test the capacitance between two turns: Np1 and Np2.



Cx. :	NOM (F)	LOW (F)	HIGH (F)
1	10.000p	8.0000p	11.000p

PINS (HI +):
 001 002

PINS (Lo -):
 013 014

FREQ: LEVEL:

Enter value or select

16:55

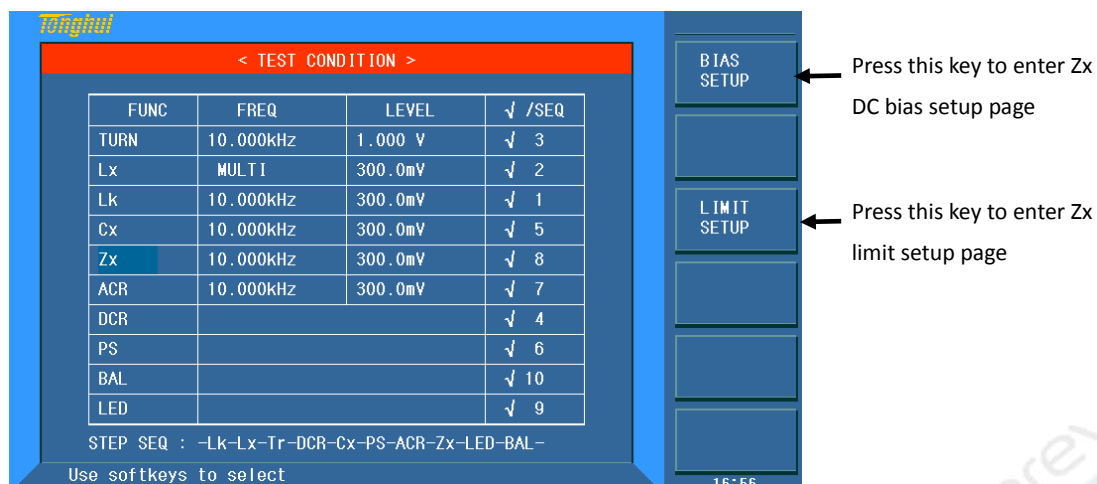
- Press this key to select Δ% mode or ABS (Absolute) mode
- Press this key to enter PRI: 1
- Press this key to switch the Cx serial number, the maximum number is 9
- Input the frequency required to make multi-frequency test. The next item is the voltage level. If this zone is blank, the frequency and the voltage on <TEST CONDITION> will be automatically used in the process of measurement.
- Input another winding pin here
- Input a winding pin here

TH2829x748

If users need to test Cx under different frequencies and voltages, input the frequencies and the voltages of different Cx serial number on **FREQ:** and **LEVEL:**. Note: If multi-frequency and multi-voltage is not required, do not input any value on the **FREQ:** and **LEVEL:** zone.

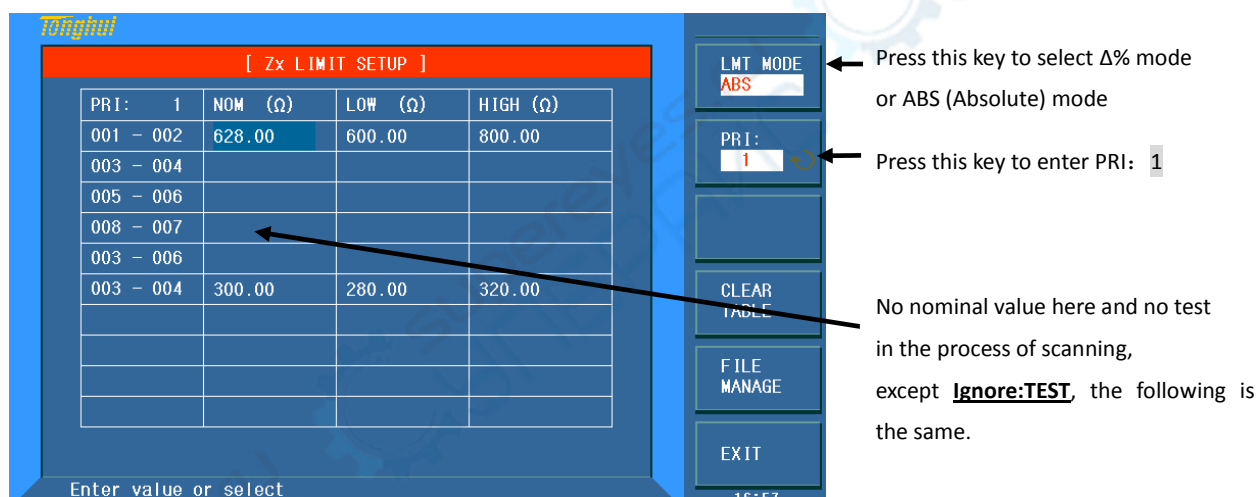
7.12.6 Setting Zx test conditions

On <TEST CONDITION> page, move the cursor to the Zx zone.



TH2829x749

7.12.6.1 Zx limit setup page



TH2829x750

7.12.6.2 Zx multi-frequency setup page

If it is necessary to test different pins with different frequencies, move the cursor to the Zx frequency zone on < TEST CONDITION > page. Press multi-frequency setup page to enter into the page setup and press EXIT key to quit after setup. Detailed operation please refer to "7.12.3.1 Setting Lx multi-frequency".

7.12.6.3 Zx multi-level setup page

If it is necessary to test different pins with different levels, move the cursor to the Zx level zone on < TEST CONDITION > page. Press multi-level setup page to enter into the page setup and press EXIT key to quit after setup. Detailed operation please refer to "7.12.3.2 Setting Lx multi-level".

7.12.7 Setting ACR test conditions

On <TEST CONDITION> page, move the cursor to the ACR zone.

The screenshot shows the 'TEST CONDITION' menu with a table of test parameters. The 'ACR' row is highlighted. To the right, there is a 'LIMIT SETUP' button with an arrow pointing to it from the text 'Press this key to enter the ACR limit setup page'.

FUNC	FREQ	LEVEL	√ /SEQ
TURN	10.000kHz	1.000 V	√ 3
Lx	MULTI	300.0mV	√ 2
Lk	10.000kHz	300.0mV	√ 1
Cx	10.000kHz	300.0mV	√ 5
Zx	10.000kHz	300.0mV	√ 8
ACR	10.000kHz	300.0mV	√ 7
DCR			√ 4
PS			√ 6
BAL			√ 10
LED			√ 9

STEP SEQ : -Lk-Lx-Tr-DCR-Cx-PS-ACR-Zx-LED-BAL-

Use softkeys to select

TH2829x751

7.12.7.1 ACR limit setup page

The screenshot shows the 'ACR LIMIT SETUP' menu with a table of limit values. The 'NOM' column has a value of 11.000. To the right, there are buttons for 'LMT MODE' (set to ABS), 'PRI:' (set to 1), 'CLEAR TABLE', 'FILE MANAGE', and 'EXIT'. Arrows point from the text 'Press this key to select Δ% mode or ABS (Absolute) mode' to the 'LMT MODE' button, and 'Press this key to enter PRI: 1' to the 'PRI:' button. A note at the bottom right states: 'No nominal value here and no test in the process of scanning, except Ignore:TEST, the following is the same.'.

PRI:	1	NOM (Ω)	LOW (Ω)	HIGH (Ω)
001 - 002	11.000	10.000	12.000	
003 - 004				
005 - 006				
008 - 007				
003 - 006				
003 - 004	6.0000	5.0000	10.000	

Enter value or select

TH2829x752

7.12.7.2 ACR multi-frequency setup

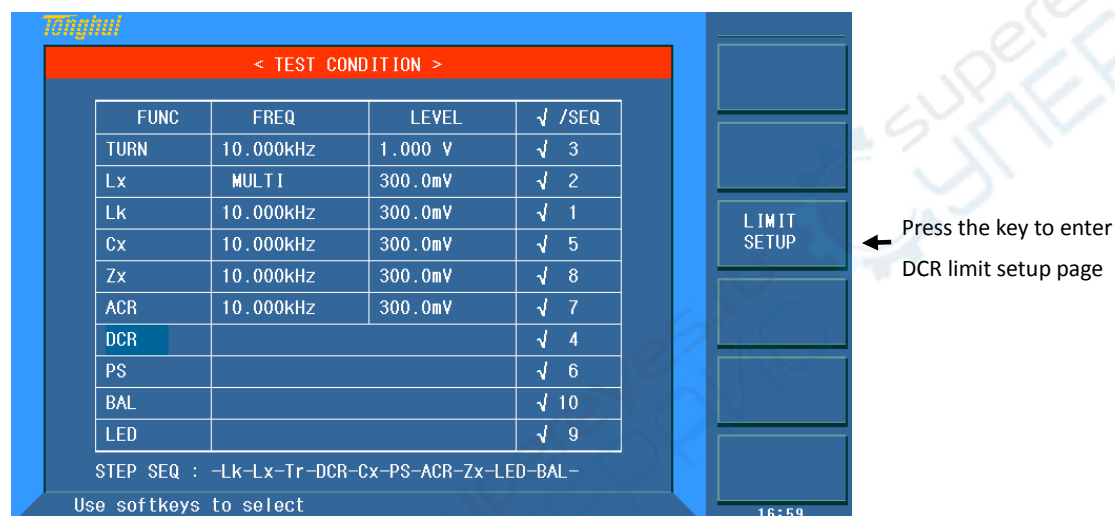
If it is necessary to test different pins with different frequencies, move the cursor to the ACR frequency zone on < TEST CONDITION > page. Press multi-frequency setup page to enter into the page setup and press EXIT key to quit after setup. Detailed operation please refer to "7.12.3.1 Setting Lx multi-frequency".

7.12.7.3 ACR multi-level setup

If it is necessary to test different pins with different levels, move the cursor to the ACR level zone on < TEST CONDITION > page. Press multi-level setup page to enter into the page setup and press EXIT key to quit after setup. Detailed operation please refer to “7.12.3.2 Setting Lx multi-level”.

7.12.8 Setting DCR test conditions

On <TEST CONDITION> page, move the cursor to the DCR zone.



TH2829x753

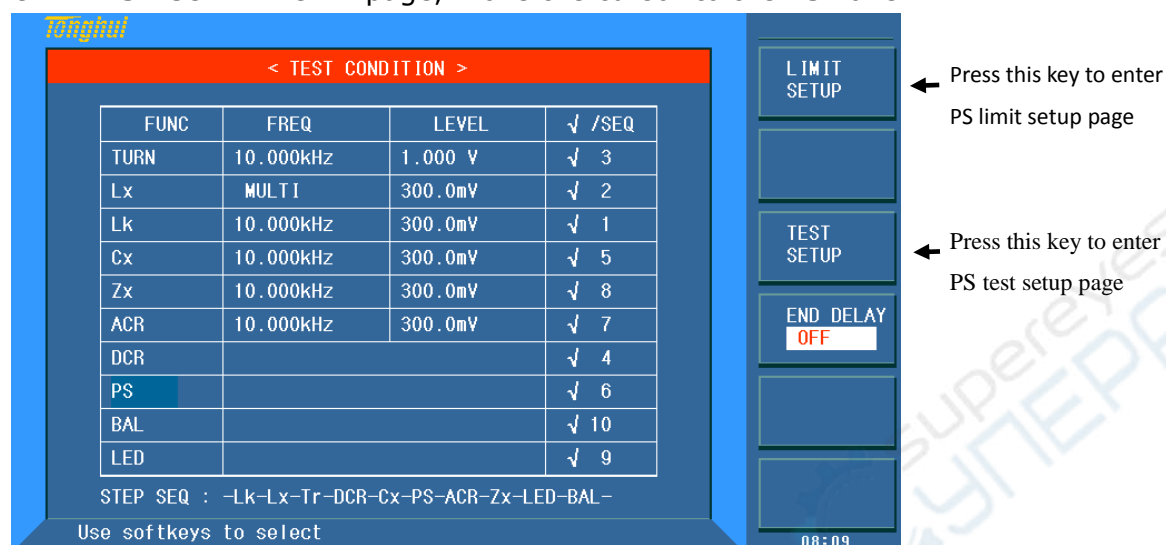
7.12.8.1 DCR limit setup page



TH2829x754

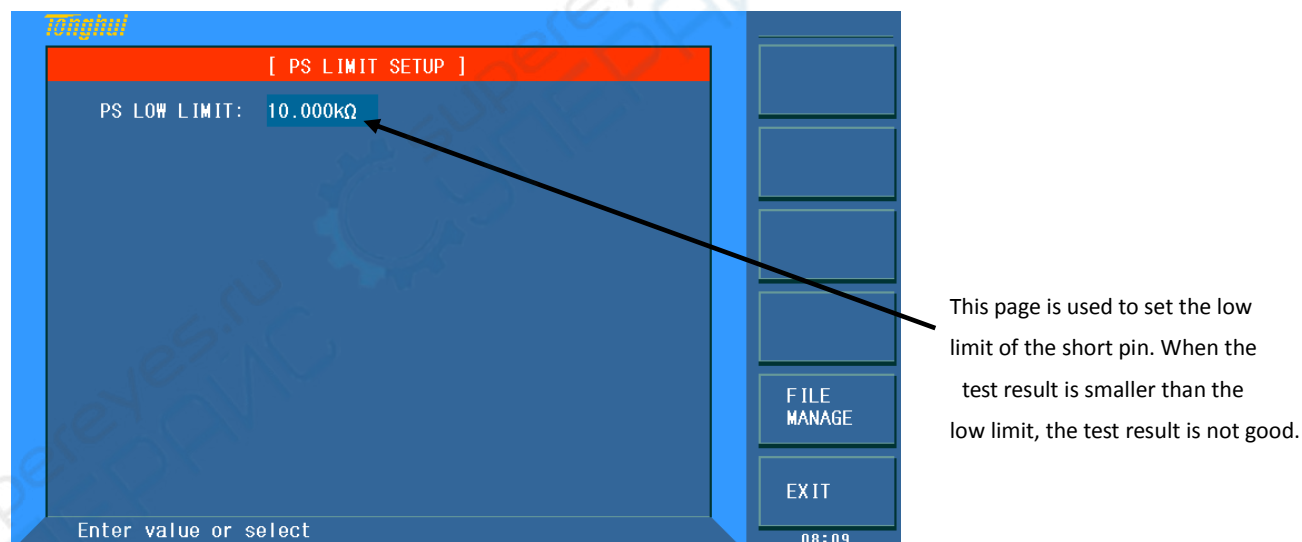
7.12.9 Setting PS test conditions

On <TEST CONDITION> page, move the cursor to the PS zone.



TH2829x755

7.12.9.1 PS limit setup page

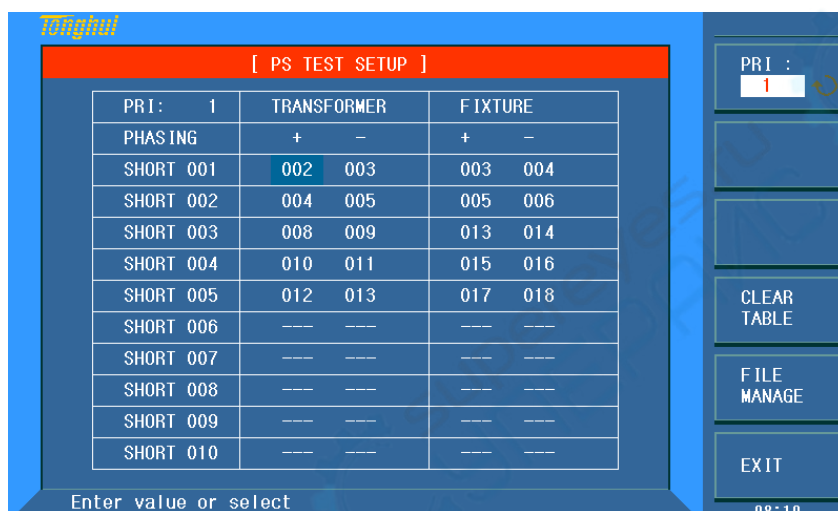
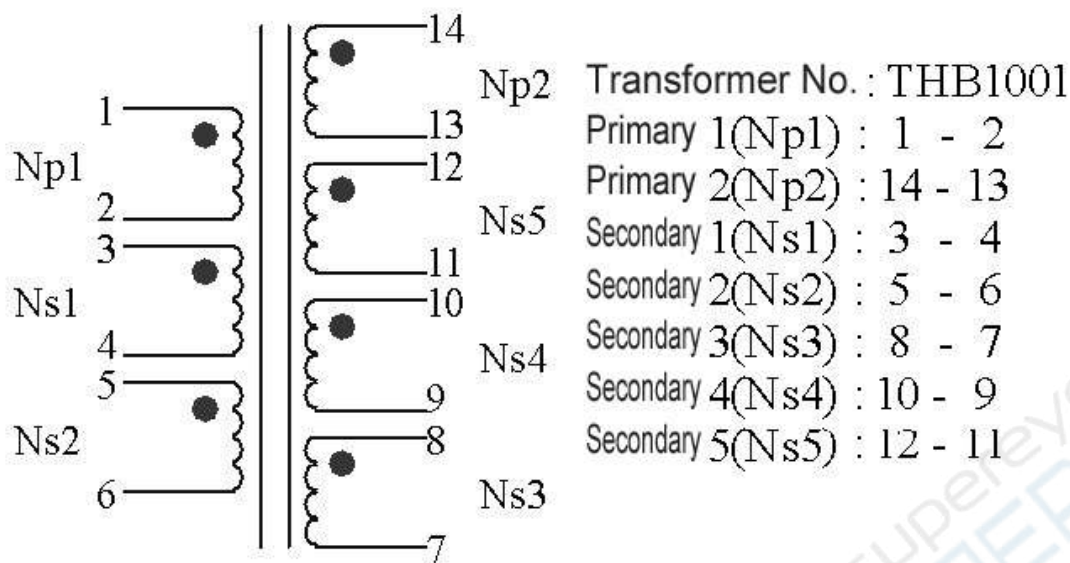


TH2829x756

7.12.9.2 PS test pin setup page

This page is used to set the shorted pins. In the process of auto scanning test, the instrument will test DCR of each set pin and make comparison with the PS low limit set on PS limit setup page.

The following figure shows the example transformer and its setup page of pin short test.

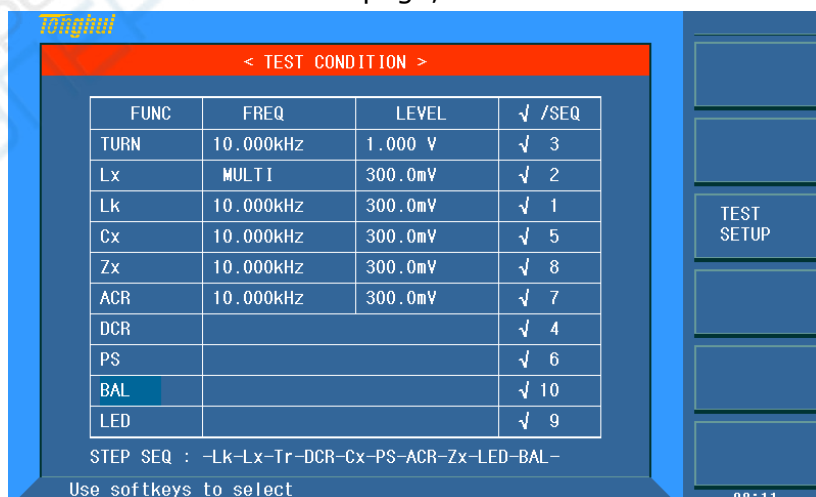


Press this key to enter PRI: 1

TH2829x757

7.12.10 Setting BL test conditions

On <TEST CONDITION> page, move the cursor to the BL zone.

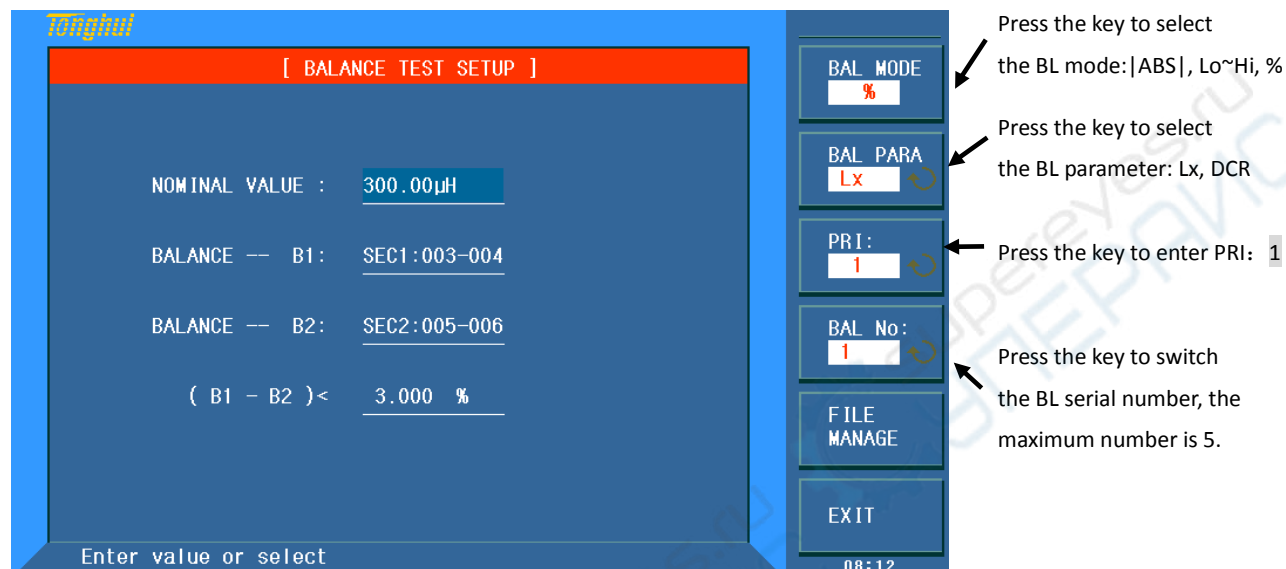


Press this key to enter the BL test setup page

TH2829x758

7.12.10.1 BL test setup page

BL (balance) is parameter used to compare the conformity of two windings.



TH2829x759

Users can compare Lx, Lk, Cx or DCR BL of two windings.

BL provides 3 judge modes:

- **|ABS|** When $|L1-L2| > \text{High limit value}$, it means the result is not good. If this mode is selected, nominal value is only used as the switch of testing compare. (Note: If no nominal values are set, the comparison will not be performed.)
- **%** When $(100\% \times |L1-L2| / \text{nominal value}) > \text{high limit value}$ it means the result is not good.
- **Lo~Hi** When this mode is selected, **Nom: _** zone will be changed to **Low Limit: _**, judge method is: $\text{Low limit value} < (L1-L2) < \text{High limit value}$ it the result is not good.

Steps for setting L1, L2 winding pins:

1. Move the cursor to the setting zone of L1, L2 winding pins.
2. press numeric key 0~9, where: 0 means PRI winding, 1 means SEC1 winding, 2 means SEC2 winding.
3. Press [ENTER] to confirm.

7.12.11 Setting LED test conditions

On <TEST CONDITION> page, move the cursor to the LED zone.

< TEST CONDITION >

FUNC	FREQ	LEVEL	√ /SEQ
TURN	10.000kHz	1.000 V	√ 3
Lx	MULTI	300.0mV	√ 2
Lk	10.000kHz	300.0mV	√ 1
Cx	10.000kHz	300.0mV	√ 5
Zx	10.000kHz	300.0mV	√ 8
ACR	10.000kHz	300.0mV	√ 7
DCR			√ 4
PS			√ 6
BAL			√ 10
LED			√ 9

STEP SEQ : -Lk-Lx-Tr-DCR-Cx-PS-ACR-Zx-LED-BAL-

Use softkeys to select

08:13

- LED CHECK OFF: Press this key to turn on LED CHECK function
- ON TIME ∞ s: Press this key to switch LED ON TIME
- Ir TEST ON: Press this key to turn on LED Ir TEST function

TH2829x760

[LED TEST SETUP]

LED:1		Forward Voltage Vf			
+ -	NOM (V)	LOW (V)	HIGH (V)	DCI	
003-004	2.2880	2.0000	3.0000	20.000m	
		Reverse Current Ir			
	NOM (A)	LOW (A)	HIGH (A)	DCV	
	2.0000n	1.0000n	10.000n	2.0000	

Enter value or select

08:14

- LMT MODE ABS: Press this key to select Δ% mode or ABS (Absolute) mode
- PRI: 1: Press this key to enter PRI: 1
- LED: 1: Press this key to select the LED test item of the current PRI(1 PRI include 3 LEDs)

TH2829x761

Constant current: 0~100mA; constant voltage: 0~10V

ID : 2829ATS

PIN	Lx(H)	Q	ACR(Ω)	TURN_V	Zx(Ω)	DCR(Ω)	Cp(F)	Lk(H)	P/B
0001-002						100.02			
1003-004						100.03			
2005-006						100.03			
3007-008						100.03			
4009-010						100.03			
5011-012						100.03			
6013-014						100.03			
7015-016						100.03			
8017-018						100.03			
9019-020						100.03			
BAL									
PS									
LED	001-002	Vf=0.1130m	Ir=120.44u	003-004	Vf=2.0294	Ir=115.05u			

Use softkeys to select

08:22

- LOAD STD. OFF
- DEVIATION OFF
- SPEED: MED
- PRI: 1
- TEST FAIL Continue
- SAVE LOG OFF

TH2829x762

Test result of LED:1

Test result of LED:2

7.13 <TRANS SCAN TEST>

After all setups finish, select the TRANS SCAN TEST function and then press [DISP] to enter into the <TRANS SCAN TEST>.

Before starting test, user can press [.] key to enter <FILE MANGE> page to save your setup for loading. More details can be referred to <FILE MANAGE> instruction.

Save the file and return to <TRANS SCAN TEST> page. If user has installed host and scan box, now just put the untested transformer to test fixture and press [START] in scan box to start scanning, and the test value is displayed on LCD screen, when the test result is bad, the value is displayed in red color.

The instrument displays the scan data and PASS/FAIL according to **SCAN RESULT DISP:** on <Transformer ID> page.

In scanning, if some pins of Lx or Zx sets DC bias current, the instrument would add corresponding DC bias current automatically, and [BIAS] key will be lighted.

Note: I f user does not install DC bias current board, the instrument would display “NO BIAS CARD”, and [BIAS] will not light up.

PIN	Lx(H)	Q	ACR(Ω)	TURN_V	Zx(Ω)	DCR(Ω)	Cp(F)	Lk(H)	P/B
0001-002	3.0852u	250.45u	99.998	100.00	99.991	2.6377	6.200u	3.3589u	+
1003-004	3.2808u	223.00u		99.603u		2.6379			+ N
2005-006	4.4994u	202.01u		99.541u		2.6371			+ N
3008-007	2.4382u	193.24u		97.340u		2.6369			+
4003-006	4.0125u			97.490u					+
5003-004	4.5425u		99.992		99.993				

BAL 003-004-000-000
 PS 003-003-004-000-000-000-010-011-012-013
 LED 001-002 Vf=811.27u Ir=139.77u 003-004 Vf=2.0304 Ir=117.20u
 Use softkeys to select

LOAD STD. OFF
 DEVIATION OFF
 SPEED: FAST
 PRI. 1
 TEST FAIL Continue
 SAVE LOG OFF

Press the key to switch as ON, the next test value will be changed to formal nominal value.
 Press the key to enter deviation deduction page.
 Press the key select the test speed: FAST,MED,SLOW,FAST+
 In multi-group primary winding, press the key to switch the test reading of each primary winding
 Press the key to switch (STOP) or (Continue) once to check a bad product.

TH2829x763

7.13.1 Display zone

- ID** It displays the current transformer No. and storing time, the number is the one set on <Transformer No.>.
- P** The polarity of TURN is displayed in the bottom zone of this page, where “+” means the winding has the same phase with primary winding, “-” means the winding has the opporsite phase with primary winding.

- B** The validity of Lx or DCR used for BL compare is displayed, where, Y means the corresponding winding balance parameter Lx or DCR is qualified, N means the corresponding winding balance parameter Lx or DCR is not good. Only when the two groups of winding balance parameter is qualified, the balance compare is performed, otherwise the balance winding is unqualified.

- BALANCE** The right zone displays if the balance is qualified, N means not good, and Y means pass. There are 5 groups of balance at most.

- PS** The zone displays short pin test judge, if one group of 00~10 is displayed with highlighting mode, it means the corresponding pin is not good.

- PIN** The zone displays the pin of each winding. In Cx or Lk, only the first pin position is displayed.

- Results display Lx、Q、ACR、TURN、ZX、DCR、Cx、LK、LED**
 All parameters can be displayed on one page.

7.13.2 Function keys

- [TRIGGER]** Being used to startup the instrument to perform the scanning test.
- [RESET]** Being used to interrupt the scanning test.
- [KEYLOCK]** User can still perform other operations after the keyboard is locked, but the parameter setup cannot be modified. Turn off the instrument after the keyboard is locked, the current test file will be loaded next time.
- [.]** Enter the file manage page.
- [CAL]** Turn on the scanning and correction function of the OPEN test fixture, shown as below.

The screenshot shows the instrument's test results screen. At the top, it displays 'ID : TH-20-1'. Below this is a table with columns: PIN, Lx(H), Q, ACR(Ω), TURN_V, Zx(Ω), DCR(Ω), Cp(F), Lk(H), P, B. The table contains five rows of data. To the right of the table are several function keys: OPEN, SHORT, CORR. OFF, HF_OPEN, and RETURN. Arrows point from text labels to these keys, explaining their functions: 'Press this key to make open correction' for OPEN, 'Press this key to make short correction' for SHORT, 'Press this key to turn on open or short correction function.' for CORR. OFF, and 'Press this key to turn on HF-OPEN function' for HF_OPEN. At the bottom of the screen, there are summary rows for BAL, PS, and LED, and a timestamp '08:46'.

PIN	Lx(H)	Q	ACR(Ω)	TURN_V	Zx(Ω)	DCR(Ω)	Cp(F)	Lk(H)	P	B
0001-002	3.9852μ	250.45μ	99.958	100.00	99.991	2.8327	-6.200μ	3.3589μ	+	
1003-004	3.8880μ	243.80μ		99.883μ		2.8323			+	N
2005-006	4.4090μ	202.31μ		99.541μ		2.8321			+	N
3008-007	2.4382μ	153.24μ		97.340μ		2.8300			+	
4003-006	4.3125μ			97.400μ					+	
5003-004	4.3425μ		99.992		99.993					
BAL	993.497330-998									
PS	002-003 004-005 006-008 010-011 012-013									
LED	001-002	Vf=611.77μ	Ir=120.77μ	003-004	Vf=2.0304	Ir=117.20μ				

TH2829x764

Now, put an open transformer sample with the same pin as tested product to the test fixture, and press **OPEN**, then the instrument will perform open scanning correction to the test fixture. The function can improve the test accuracy of small turn-turn capacitance and large inductance (>300mH), OPEN values of DCR and PS as well.

- **[CAL]** Turn on the scanning and correction function of the SHORT test fixture, shown as below.

PIN	Lx(H)	Q	ACR(Ω)	TURN_V	Zx(Ω)	DCR(Ω)	Cp(F)	Lk(H)	P	B
0001-002	0.0052μ	250.45μ	99.909	100.00	99.991	2.8377	-9.2900	3.3589μ	+	
1003-004	0.0000μ	243.89μ		99.999m		2.8373			+	N
2005-006	0.4994μ	202.91μ		99.541m		2.8371			+	N
3008-007	2.4382μ	153.24μ		97.346m		2.8369			+	
4003-006	0.0125μ			97.490m					+	
5003-004	0.5425μ		99.992		99.993					
BAL	001-004-005-006									
PS	002-003-004-005-006-009-010-011-012-013									
LED	001-002	Vf=811.77m	Ir=129.77μ	003-004	Vf=2.0304	Ir=117.20μ				

08:46

OPEN ← Press this key to make open correction
 SHORT ← Press this key to make short correction
 CORR. OFF ← Press this key to turn on open or short correction function.
 HF_OPEN ← Press this key to turn on HF-OPEN function
 RETURN

TH2829x765

Now, put an open transformer sample with the same pin as tested product to the test fixture, and press **SHORT**, then the instrument will perform open scanning correction to the test fixture. The function can improve the test accuracy of small DC resistance and small inductance.

7.13.3 PRI page-turning function

On <TRANS SCAN TEST> page, after finishing testing transformers, user can use the right and the right keys or the knob to change the PRI page. This function brings much convenience for user to view the test results.

ID : TH-20-1

PIN	Lx(H)	Q	ACR(Ω)	TURN_V	Zx(Ω)	DCR(Ω)	Cp(F)	Lk(H)	P	B
0001-002	3.9852μ	250.45μ	99.988	100.00	99.991	2.8377	-6.200μ	3.3589μ	+	
1003-004	3.8808μ	243.89μ		99.883m		2.8373			+	N
2005-006	4.4994μ	282.81μ		99.541m		2.8371			+	N
3008-007	2.4382μ	153.24μ		87.346m		2.8369			+	
4003-006	4.8125μ			87.490m					+	
5003-004	4.5425μ		99.992		99.993					
BAL 003-004-005-006										
PS 002-003-004-005-006-009-010-011-012-013										
LED 001-002 Vf=611.77m Ir=128.77μ 003-004 Vf=2.0304 Ir=117.20μ										

Use softkeys to select

LOAD STD. OFF

DEVIATION OFF

SPEED: FAST

PRI. 1

TEST FAIL Continue

SAVE LOG OFF

08:46

Use the right and the right keys or the knob to change the PRI page

TH2829x766

7.13.4 Lk Pin Disp

After finish testing leakage inductance, press [DISP] to check the current Lk, Cp pins.

ID : TH-20-1

PIN	Lx(H)	Q	ACR(Ω)	TURN_V	Zx(Ω)	DCR(Ω)	Cp(F)	Lk(H)	P	B
0001-002	3.9852μ	250.45μ	99.988	100.00	99.991	2.8377	001-013	001-002	+	
1003-004	3.8808μ	243.89μ		99.883m		2.8373			+	N
2005-006	4.4994μ	282.81μ		99.541m		2.8371			+	N
3008-007	2.4382μ	153.24μ		87.346m		2.8369			+	
4003-006	4.8125μ			87.490m					+	
5003-004	4.5425μ		99.992		99.993					
BAL -0.810μ										
PS 002-003-004-005-006-009-010-011-012-013										
LED 001-002 Vf=611.77m Ir=128.77μ 003-004 Vf=2.0304 Ir=117.20μ										

LOAD STD. OFF

DEVIATION OFF

SPEED: FAST

PRI. 1

TEST FAIL Continue

SAVE LOG OFF

08:48

Press [DISP] to display the current Lk, Cp pins.

TH2829x767

7.13.5 BAL display

PIN	Lx(H)	Q	ACR(Ω)	TURN_V	Zx(Ω)	DCR(Ω)	Cp(F)	Lk(H)	P	B
0001-002	1.9852μ	250.45μ	99.999	100.00	99.999	2.8377	001-011	001-002	+	
1003-004	1.8808μ	243.89μ		99.993μ		2.8373			+	N
2005-006	1.4804μ	252.81μ		99.941μ		2.8371			+	N
3008-007	1.4382μ	153.24μ		97.348μ		2.8368			+	
4003-006	1.8125μ			97.490μ					+	
5003-004	1.5425μ		99.997		99.993				+	

Now, display the current Lk, Cp pins.

TH2829x768

Original display: pins
Now: value of B1-B2

After scanning, press DISP to display the difference value between 2 windings of BAL (B1-B2).

7.13.6 <FILE MANAGE>

NO.	TRANS ID	TIME	LOAD
001	TH-20-LK	13-10-17 16:02	
002			
003	TH-20-1	14-06-23 17:02	√
004	2837ATS	14-06-23 10:42	
005			
006	2837ATS66	14-06-23 10:43	
007			
008			
009			
010			

- ← Press the key to load the current file.
- ← Press the key to save the file to the current position
- ← Press the key to delete the current file
- ← Press the key to copy the file to I:
- ← Press the key to enter the FIND page
- ← Press the key to enter the external file page

TH2829x769

7.13.6.1 Transformer scan setup file(*.TRS)

Up to 100 groups of different transformer scan setup files can be saved in the internal memory (*.TRS file). 500 different groups of single component setup files can be stored in external U disks.

All setup data as below can be saved or loaded in the form of file which is called

*.TRS file.

- <Transformer ID>
- <Transformer Pin Setup> and the corresponding sub-pages
- <Transformer Test Condition> and the corresponding sub-pages
- <Transformer Scan Test> and the corresponding sub-pages

7.13.6.2 U-disk manage performance

Just as the description mentioned above, USB HOST interface is a standard configuration of TH2829X, so external U disks can be used as the storage media and can store setup files of 500 groups.

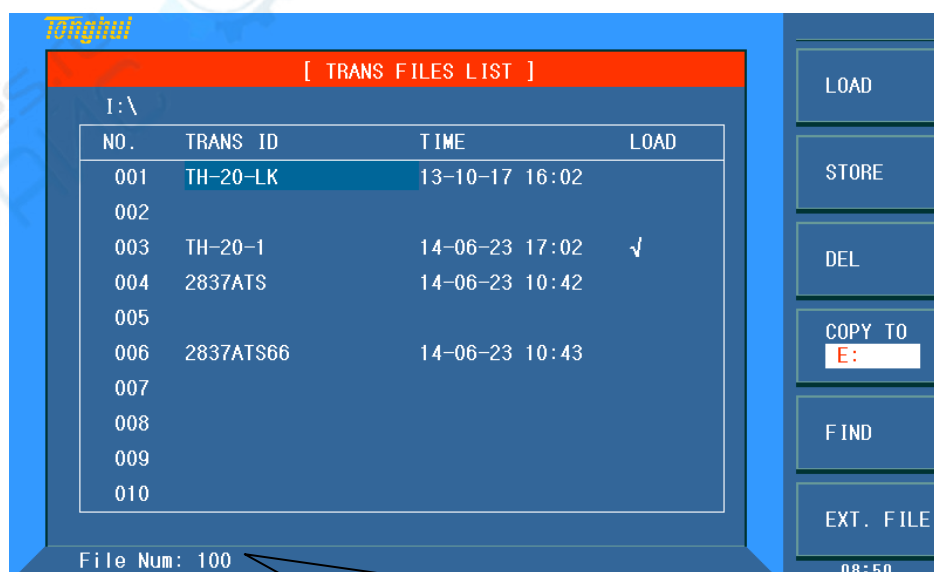
TH2829X supports the following storage devices (U disk):

- Meet the standard of USB 1.0/1.1
- Capacitance: 32MB/256MB/2GB/4GB
- File format: FAT16, FAT32 (Formatting under Microsoft Windows operation system)

7.13.7 Operation steps for file manage

A. Find the existed file

- 1) Turn the knob to check one by one.
- 2) Press [→] and [←] to check one by one.
- 3) Use the soft key SEARCH and input the file name. Then press [ENTER] to search.
- 4) Input the figure and press [ENTER] key can jump to the desired page.

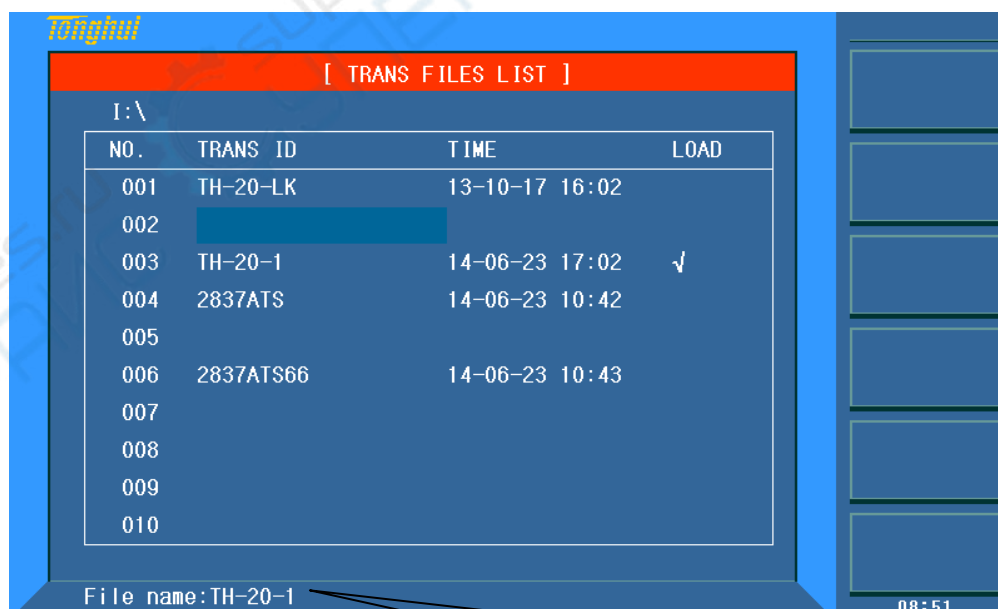


TH2829x770

The max. TRS internal memory NO. is 100 (TH2829AX-48 is 100), and the external is 500.

B. Save the control and setup data to a file.

- 1) Select and set all control and setup parameters on specific page.
- 2) Press the soft key **File Manage**, the following soft keys will be displayed.
 - **LOAD**
 - **STORE**
 - **DELETE**
 - **COPEY E:**
 - **FIND**
 - **EXT. FILE**
- 3) In file list, move the cursor to the location where the file will be saved. Another method is to input the file name directly.
- 4) Press the **STORE** soft key, the following soft keys will be displayed.
 - **Yes**
 - **No**
- 5) If **No** is selected, the save operation will be cancelled and return to Step 2).
- 6) If **Yes** is selected, the bottom line will display: **☺Input the file name:**
- 7) User numeric keys to input the current file name and press [ENTER] to confirm. TH2829X will save the current control and setup data with the input file name.
- 8) Press **Exit** to return to the current display page.



TH2829x771

It is the default file name and can be modified or directly changed.

C. Load a file

- 1) Press the soft key File Manage, the following soft keys will be displayed.

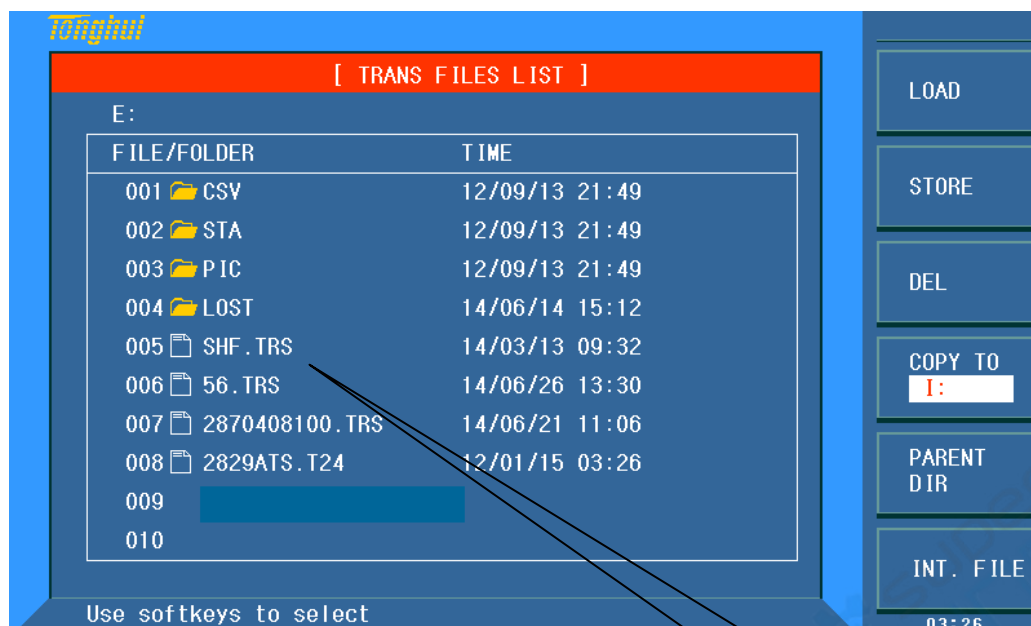
- **LOAD**
 - **STORE**
 - **DELETE**
 - **COPEY E:**
 - **FIND**
 - **EXT. FILE**
- 2) In file list, move the cursor to the file required to be load. Or input the file name directly.
 - 3) Press the soft key **Load**, the following soft keys will be displayed.
 - **Yes**
 - **No**
 - 4) If **No** is selected, the current load operation will be cancelled and return to step 1).
 - 5) If **Yes** is selected, the selected file will be loaded. Then TH2829X will return to the current displayed page.

D. Cope a file

- 1) Supposing the file is required to be copied to the external memory.
- 2) Press the soft key File Manage, the following soft keys will be displayed.
 - **LOAD**
 - **STORE**
 - **DELETE**
 - **COPEY E:**
 - **FIND**
 - **EXT. FILE**
- 3) Move the cursor to the file required to be copied and press [ENTER] to select.
- 4) Press **COPEY E:** to copy the file to the external memory of the instrument.

7.13.8 Stored files of TH2829AX-24

Except *.T24 files, TH2829AX-24 can also support *.TRS files used on TH2829AX.



TH2829x772

7.13.9 Compatibility of stored files

Files stored on TH2818X and TH2819X can be directly used on TH2829X. Files stored on TH2829X whose file name is over 40 can be directly used on TH2818X and TH2819X.



TH2829x773

Note: Ensure the U disk you are using meets the standard mentioned above and has not been write-protected.

7.13.10 Transformer deviation-deduction

If user has the standard samples of untested transformer, and its data of each

test can serve as the measurement standard, the deviation-deduction function is available.

The operation of deviation function is listed as below:

1. According to the set method, enter<SCAN TEST> page after setting parameter.
2. Put standard transformer to test fixture and lock it, press [START] in scan box for several times to get a stable test value;
3. Press [DEVITON OFF] to enter <TRANS DEVIATION DEDUCT SETUP> page; the figure is as below:



Press the key to turn on deviation function of corresponding parameter. Where, when connecting in Lk. And DCR set zone, press the key to switch **VSUB** and **VDIV** modes, which is suitable for different distribution parameter. For smaller test value, use **VSUB**, but for a larger one, use **VDIV**.

TH2829x774

4. Set [Deviation-deduction] as ON ;
5. Set the correction parameter switch as ON ;
6. Set the high and low limits allowed for deduction of each parameter
7. Press [DEVIATION] to perform correction, and back to <SCAN TEST> page. If deduction is successful, then under DEVITON mode, the deviation time is displayed. Shown as the figure below.

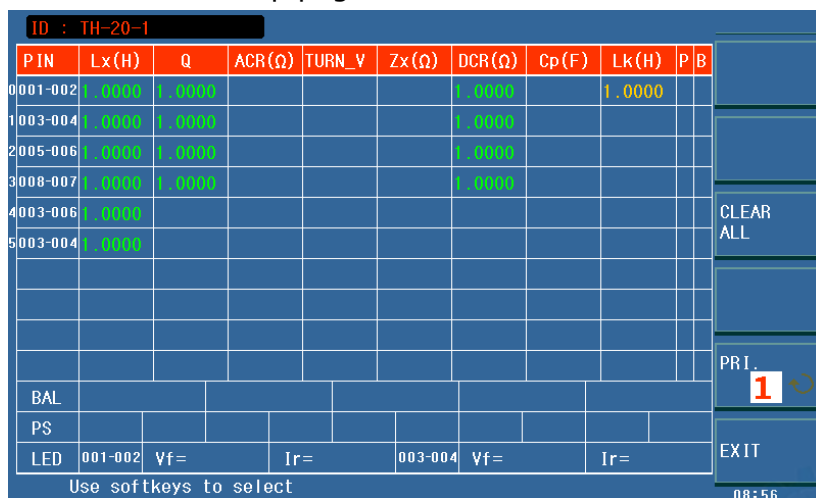


When <TRANS ID> displays Ignore Nom:SKP TEST LIMITED DEV, the deduction can't be succeeded due to the deviation between test value and nominal value is too large; now user has to check the contact if reliable or the standard sample is correct

TH2829x775

8. After deduction finishes, user press [START], the test value is displayed same as standard value.

9. If the deviation value needs to be viewed, enter into the <TRANS DEVIATION DEDUCT SETUP> page and select <DEVIATION SETUP> key to enter into the setup page of the deviation value.



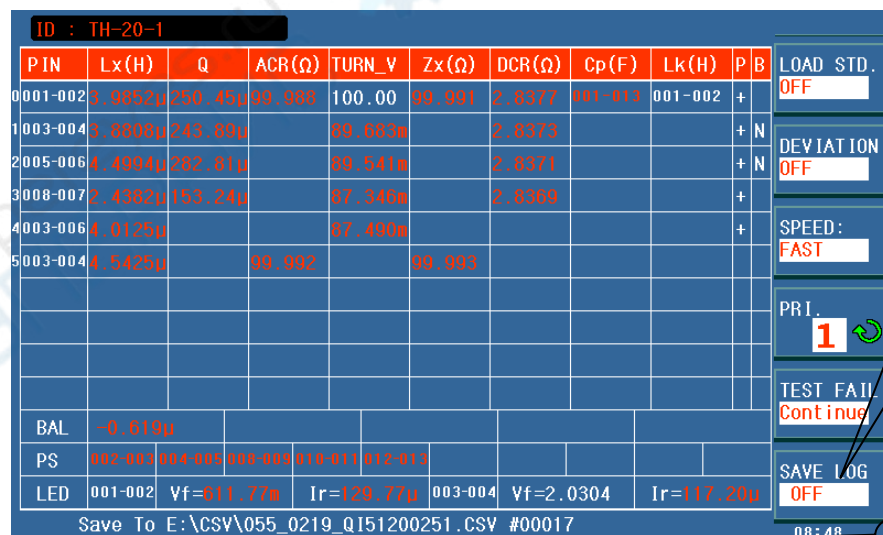
TH2829x776

NOTE:the initial value of the green DIV value and yellow SUB value are all 1. if SUB is selected, DEVIATION SETUP can be entered. Press CLEAR ALL key to restores default value 0.

When modifying the green DIV value, it can not be be revised as 0.

10. If deviation value needs storing, press numeric key “.” to enter file manage page, then save the file according to prompt information for the next use.

7.13.11 Save scan test results by U disk



Save the data on this page.

E:\CSV\ is the saving path, while 1225_001.CSV is the saved file, and #00003 is the saving times.

TH2829x777

The saved data format is as follow:
SN: serial number of the instrument

TRS ID: name of the instrument

Date: date

No.(number of times) Func(parameter Lx, TURN.....) Index(primary and secondary) Pins(pin) Result(result) Min(lower limit) Max(upper limit) Comp(judge) Time(time) Status(total judge)

7.14 Statistic page of transformer scan test

On <SCAN TEST> page, press **STAT** to enter into the <SCAN TEST STATISTICS> page.

FUNC	PASS	FAIL	SUM
TURN	0	2	2
Lx	0	3	3
Lk	3	0	3
Cx	0	2	2
Zx	0	2	2
ACR	0	2	2
DCR	2	2	4
PS	0	2	2
BAL	0	2	2
P	2	0	2
WHOLE	0	5	5

TH2829x778

- **[Pass]** It means the pass times of L.K.~DCR parameter, which is pass count value;
- **[Pass]+[Total]**: in one test, all test parameters in L.K.~DCR are qualified, then the value of total column will add by 1.
- **[Fail]** It means fail count value of L.K.~DCR each parameter;
- **[Fail]+[Total]**: in one test, one or one more parameter of L.K.~DCR is unqualified, then the value of total column will add by 1.
- **[Sum]** It means the total test times of one parameter;
- **[Sum]+ [Total]** it means the total test times, which is equal to total pass times + total fail times.

7.14.1 Reset statistic count value

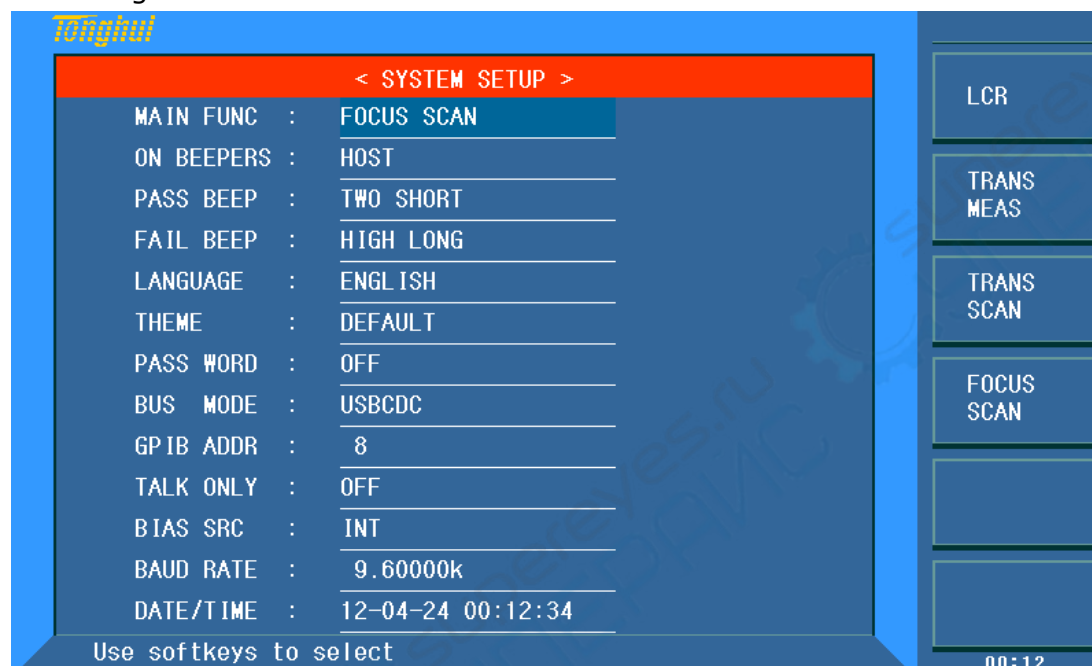
Press the soft key **RESET COUNT** to reset all data on the <SCAN TEST

STATISTICS> page.

7.15 FOCUS SCAN

Focus scan function can test one parameter repeatedly between the specified windings. The tested value can be inputted as the nominal value.

As shown below, enter into the <SYSTEM SETUP> page and select FOCUS SCAN on the right-side menu.



TH2829x779

Now, the operations of loading a file and file setup are the same as TRANS SCAN function. The focus scan function can be used after transformer scan function.

As shown below, select the focus scan function, press DISP key to enter into the FOCUS SCAN page.

ID : 2014304									
PIN	Lx(H)	Q	ACR(Ω)	TURN_V	Zx(Ω)	DCR(Ω)	Cp(F)	Lk(H)	P/B
0GHI-JKL	1.0000μ		1.0000	1.0000	1.0000	1.00m	11.000p	1.0000μ	
1003-004	2.0000μ		2.0000	2.0000	2.0000	2.00m			
2005-006			3.0000	3.0000	3.0000	3.00m			
3007-008	4.0000μ		4.0000	4.0000	4.0000	4.00m			
4009-010	5.0000μ			5.0000					
5									
6									
7									
8									
9									
BAL									
PS	GHI-JKL	003-004							
LED	GHI-JKL	Vf=1.0000	Ir=5.0000μ			Vf=		Ir=	

Use softkeys to select

16:09

DEVIATION OFF

SPEED: FAST

PRI. 1

TH2829x780

The PIN and nominal value will be displayed. Move the cursor to the nominal value to be tested repeatedly and press TRIGGER to test. Press ENTER to input the measured value as nominal value. Press ESC to cancel the inputted nominal value where the cursor is (it is invalid when moving the cursor).

NOTE:

- Here, the DEVIATION key can not enter into the <DEVIATION SETUP> page. It can only be set as ON or OFF after setting up the transformer scan function.
- Parameter P, B, BAL are unavailable.

7.16 Frequently asked questions and answers in transformer scan test

7.16.1 High and low limits

In test, if you find the test value of transformer is obviously and seriously unqualified, but the judge table still displays that the parameter is qualified.

Reason: User only sets standard value (STD but not the high/low limit or just set one of high/low limit value).

Solution: Set high and low limits.

7.16.2 Measurement item loss

In the process of test, user finds some parameter such as (Lx) is set to be tested, but the parameter is not tested and no data displays.

Reason: user only sets [\sqrt{X}] as $\sqrt{\quad}$, but does not set standard value on parameter set menu, and meanwhile, "Ignore std test" is set as OFF on [Transformer ID].

Solution: 1. Set "Ignore std." as ON.

2. Set standard value on parameter limit setup menu.

7.16.3 Measurement interruption

In the process of test, user finds the instrument only tests the test parameter in the first several groups of value, but the last ones has not been tested.

Reason 1: When setting pin position, user only sets the first groups of pins, but does not set one or more group of pin in the middle, and then the left groups will not be set in the process of test.

Reason 2: On [Scan test], user sets (TEST FAIL: — — —) as STOP, so in test when some parameters are unqualified, then the test will not be performed.

Solution: set (TEST FAIL) as Continue, meanwhile, reset the blank pin on parameter limit setup menu or set "Ignore Std." as ON.

7.16.4 Poor DCR accuracy

If the sheet metal is oxygenized, tore and defaced, or user makes a fixture without applying 4-cable test method, it will cause the deviation of DCR.

Solution:

1. Keep the sheet metal being new, so it can contact with transformer pin well.
2. Use 4-cable measurement. Refer to User-made test fixture
3. Use deviation deduction.

7.16.5 Poor Lk accuracy

If the sheet metal is oxygenized, tore and defaced, or the lead resistance of user-made test fixture is too large. It will cause the deviation when testing Lk.

Solution:

1. Keep the sheet metal being new, so it can contact with transformer pin well.
2. Use 4-cable measurement. Refer to User-made test fixture
3. Use deviation deduction.

7.16.6 Inaccurate TURN

For transformers with low magnetic permeability magnetic-core, the number of winding is not the same with that of real winding because the inductor will take some ACR voltage.

Resolution:

Use the **TURN** mode to test winding.

7.16.7 Unstable TURN

For the transformer with high magnetic permeability magnetic-core, test winding will be unstable.

Solution:

1. Use the TURN-v mode to test winding (voltage-turn mode).
2. Use deviation deduction.

7.16.8 Difference between the first and the second Lx

Because the transformer, with high magnetic permeability magnetic-core, is polarized in the test of DCR or TURN, the test results of the first and the second Lx test will be quite different.

Solution:

Use the 100Ω internal resistance in the test of TURN or DCR.

7.16.9 Poor stability of Cx and Zx open test data

If the shielding and ground of test system is not good, it will cause the test value unstable when testing Cx or Zx.

Solution:

Through a thick metal lead, connect ground poles of the instrument and the scan box as well as the metal frame of the test fixture together and ground it reliably.

7.16.10 DCR and PS open cannot reach infinite large

Due to the existence of circuit distribution parameter, so the infinite large cannot be displayed when testing DCR or PS open, it is a normal phenomenon, if user wants to display it, execute the sweep open correction function on the test fixture.

7.17 User-made test fixture

There are many kinds of transformers, so our company can't offer a test fixture to each transformer, which requires user to make a test fixture according to some principles. The followings are caution items of making test fixture:

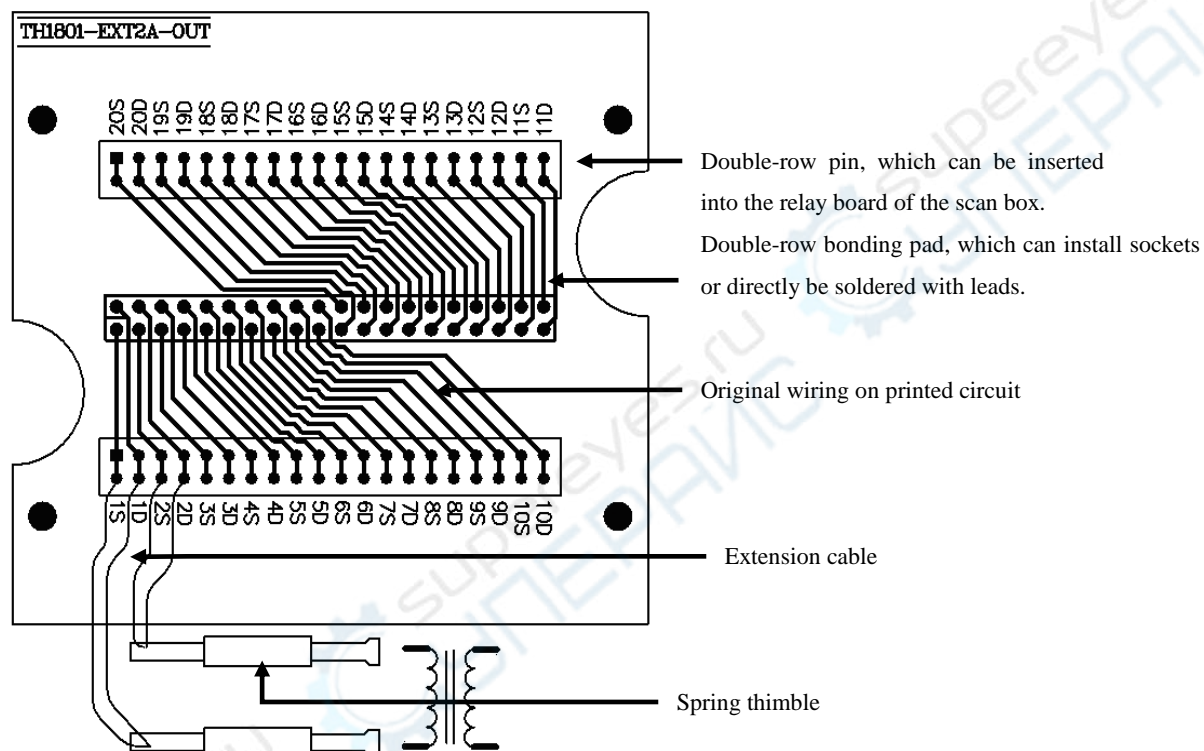
1. Use 4-cable measurement method to extend test cable. Don't use 5.0mm test fixture to hold test lead.
2. Use multi-strand lacquer cable with good tenacity to be the test extension cable. And use the stands as much as possible to reduce the resistance of cable.
3. Use high frequency test, and reduce the distribution parameter within

extension cable, don't use ribbon cable to extend.

4. It is better to use metal frame which is connected to ground pole through a thick metal lead.

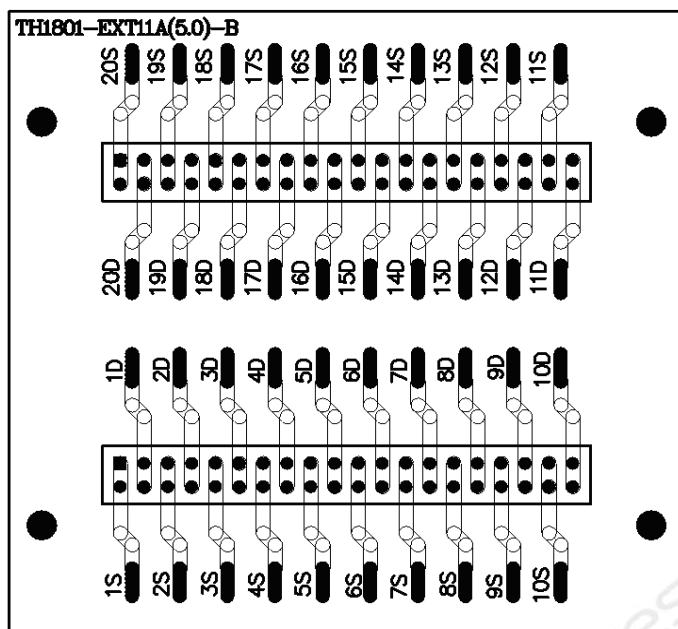
7.17.1 Use TH1801-EXT2A-OUT to make test fixture

User should buy the TH1801-EXT2A extension ground board from our company. The figure below also shows the connection of using 2 spring thimble to make test probe.



The theory of 4-cable measurement is the test cable of DRIVE and SENSE should be divided. In this figure, 1D means the drive terminal of pin1, 1S means sense terminal of pin 1.

7.17.2 Example of using TH1801-EXT11A(5.0)-B pin signal



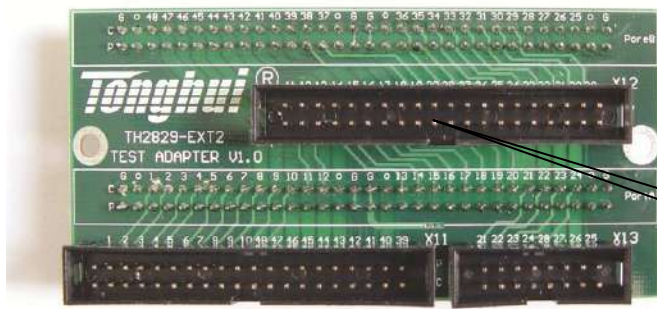
The theory of 4-cable measurement is the test cable of DRIVE and SENSE should be divided. In this figure 1 D means the drive terminal of pin 1 , 1 S means sense terminal of pin 1.

7.17.3 Scan test interface board

The interface board of TH2829AX-48 is compatible with that of TH2818XC. TH2829AX/TH2829AX-24 can use interface boards compatible with TH2818X/TH2819X.



TH2829x781



48-channel interface board

TH2829x782



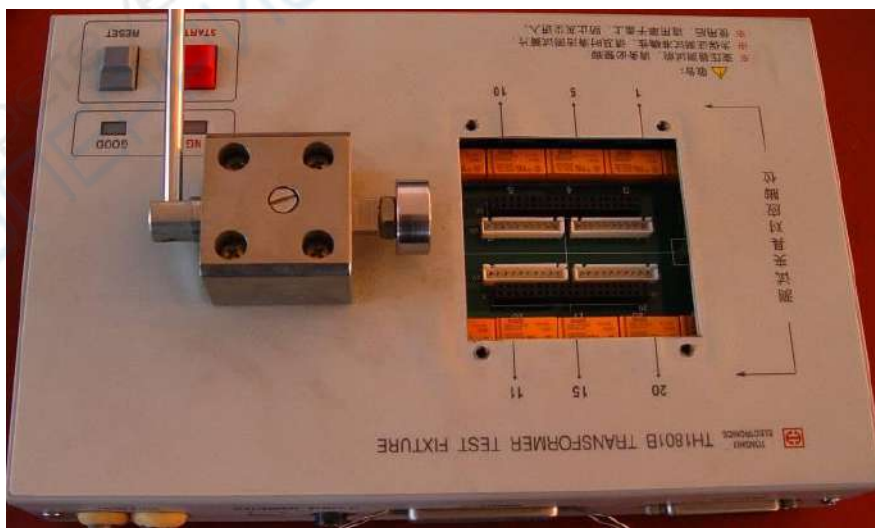
Interface board for 24-channel to 20-channel

TH2829x783

7.18 Self-check function of scanner relay

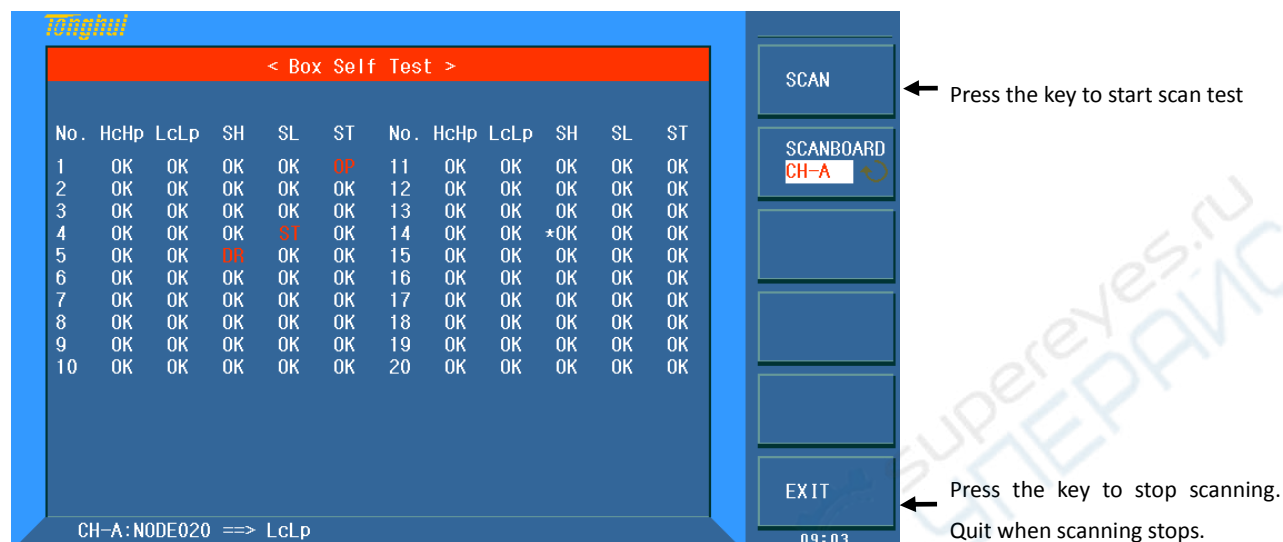
7.18.1 Operation steps for scan self-check

1. Remove all fixtures on scan box, leave the box as below.



TH2829x784

2. Connect scan box and instrument correctly.
3. Enter self-check figure to perform scan self-check, as the figure below:



TH2829x785

7.18.2 Displayed information on screen

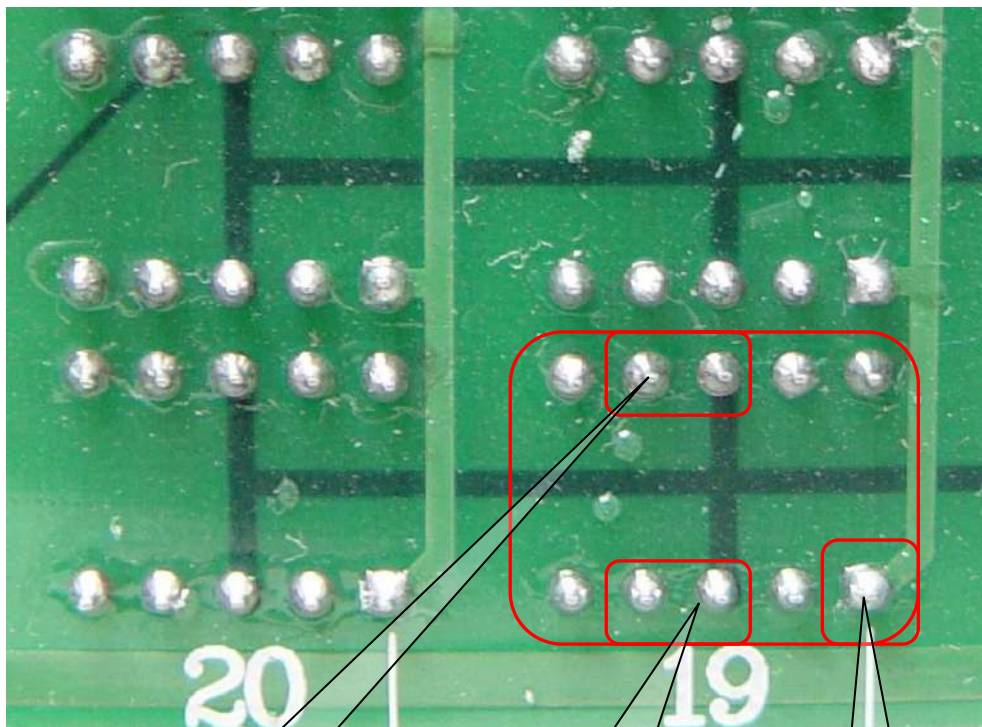
- **OP:** Open, the relay is not closed when it is controlled.
- **ST:** Short, the relay is closed when it is controlled.
- **OK:** OK, the relay works normally.
- **DR:** DR, the relay works abnormally.

The unfavorable condition of scan box circuit and relay is very complicated, so the instrument cannot figure out the unfavorable condition of each relay completely, and then user can solve the problems according to the hints and the rules.

1. ST doesn't mean the relay is short certainly, because ST condition can be tested without charge, then user can remove the relay and use multimeter to test. The resistance of ST maybe several kilo ohm or even mega ohm.

2. When one of SH, SL, ST displays as OP, if HcHp is displayed as OP, then it maybe a miscarriage, so user has to change the relay on HcHp terminal, and scan self-check again.

7.18.3 Detection method for relay short



TH2829x786

Resistance should be bigger than 10 MΩ without charge

Resistance should be bigger than 10 MΩ without charge

The square bonding pad is pin 1

Chapter 8 Performance and Test

8.1 Test function

8.1.1 Parameter and symbol

C: capacitance	L: Inductance	
R: resistance	Z: impedance	Y: Admittance
X: reactance	B: susceptance	G: Conductance
D: dissipation	θ : phase angle	Q: Quality factor

Lk: leakage inductance	DCR: DC resistance	Turn-Ratio
Turns	Phase	

8.1.2 Test combination

Parameters described above are combined in the following modes:

Primary parameter	Z, Y	L, C	R	G
Secondary parameter	θ (deg phase), θ (rad radian)	D, Q, R_S , R_P , G	X	B

There is no combination for DCR.

Turns-Ratio, Turns and Phase are only used in transformer measurement.

8.1.3 Mathematical operation

Operation between the measurement value and the programmable nominal value:
absolute deviation ΔABS and percent deviation $\Delta\%$.

8.1.4 Equivalent mode

Series and parallel

8.1.5 Range

Auto, Manual (Hold, increase and decrease)

8.1.6 Trigger

Internal, external and manual

Internal: Test DUT constantly and display the result

Manual: Press TRIGGER to test once then the result will be displayed.

External: After HANDLER receiving "start" signal, perform a measurement and output test result.

8.1.7 Delay time

Delay time: time from trigger to start. 0 to 60s are programmable with a resolution of 1ms.

8.1.8 Connection modes of test terminals

TH2829X adopts 4-terminal test method.

HD(Hcur): current sample high terminal

LD(Lcur): Current sample low terminal

HS(Hpot): voltage sample high terminal

LS(Lpot): Voltage sample low terminal

8.1.9 Test speed (Frequency $\geq 10\text{kHz}$)

Fast: about 75 times/s (13ms/time)

Medium: about 11 times/s (90ms/time)

Slow: about 2.7 times/s (370ms/time)

The fast and middle speed will be slow down when frequency $< 10\text{kHz}$.

8.1.10 Average

Be programmable from 1 to 255.

8.1.11 Display digit

6 digits, max. displayed digit: 999999

8.2 Test signal

8.2.1 Test signal frequency

Test signal is sine wave, accuracy: 0.01%

Frequency range:

20Hz~300kHz (TH2829A)

20Hz~200kHz (TH2829AX)

20Hz~500kHz (TH2829B/BX)

20Hz~1MHz (TH2829C/CX)

Min. resolution: 1mHz

8.2.2 Signal mode

Normal: When testing, on measurement display page, voltage across test terminals may be smaller than preset voltage.

Constant level: The auto adjustment of internal level makes the voltage of DUT accordant with preset voltage.

8.2.3 Test signal level

	Mode	Range	Accuracy	Resolution
Voltage	Normal constant level	5mV _{RMS} —10V _{RMS}	± (10%×preset value+2mV)	100μV
		10mV _{RMS} —5V _{RMS}	± (6%×preset value+2mV)	
Current	Normal constant current	50μA _{RMS} —100mA _{RMS}	± (10%×preset value+ 10μA _{RMS})	1μA
		100μA _{RMS} —50mA _{RMS}	± (6%×preset value+ 10μA _{RMS})	

When testing Turns Ratio, Phase, the voltage range is : 5mVRMS—10VRMS, ± (10%×preset value+2mV) , with resolution of 1mV.

8.2.4 Output impedance

30Ω, 50Ω and 100Ω ±2% are selectable.

8.2.5 Monitor for test signal level

Mode	Range	Accuracy
Voltage	5mV _{RMS} —2V _{RMS}	± (3%×reading+0.5mV)
	0.01mV _{RMS} —5mV _{RMS}	± (12%×reading +0.1mV)
Current	50μA _{RMS} —20mA _{RMS}	± (3%×reading +5μA)
	0.001μA _{RMS} —50μA _{RMS}	± (12%×reading +1μA)

8.2.6 Maximum measurement display range

Parameter	Measurement display range
L、Lk	0.00001μH ~ 99.9999kH
C	0.00001pF ~ 9.99999F

Z、R、X、DCR	0.00001Ω~ 99.9999MΩ
Y、B、G	0.00001μs ~ 99.9999S
D	0.00001 — 9.99999
Q	0.00001 — 99999.9
θ	Deg -179.999°~179.999°
	Rad -3.14159 ~ 3.14159
Turns Ratio	1: 0.001—1000: 1

8.2.7 DC bias voltage source

0V— ± 10V Minimum resolution: 0.5mV, Accuracy: 1%×preset voltage+5mV
 0mA—± 100mA Minimum resolution: 5μA

8.2.8 Diode test

Forward voltage: 0 — 9.9999 V
 Reverse current: 0 — 99.999 mA

8.3 Measurement accuracy

Test accuracy includes stability、temperature coefficient、linear degree、test repeatability and calibration inter-error.

Check the accuracy of instrument should be under the following circumstances:

- warm-up time: ≥ 30 min
- cable: 0m, 1m
- correct open and short correction after warming up
- DC bias is in the position of "OFF"
- The range works in "AUTO" to select correct test range

8.3.1 |Z|, |Y|, L, C, R, X, G, B accuracies

The accuracy A_e of |Z|, |Y|, L, C, R, X, G and B are expressed as:

$$A_e = \pm [A_L \times A + (K_a + K_b + K_c) \times 100 + K_d + K_f] \times K_e \quad [\%]$$

A: basic test accuracy (figure A)

A_L : level correction factor (table A)

K_a : impedance rate factor (table B)

K_b : impedance rate factor (table B)

K_c : calibrated interpolating factor (table E)

K_d : cable length factor

K_e : temperature factor (table G)

K_f : scan fixture modification factor (no adding: $K_f = 0$, adding: $K_f = 0.2$)

Using condition of L, C, X, B accuracy A_e : D_x (test value of D) ≤ 0.1

Using condition of R, G accuracy A_e : Q_x (test value of Q) ≤ 0.1

When $D_x \geq 0.1$, accuracy factor A_e of L, C, X, B should be multiplied by $\sqrt{1+D_x^2}$

When $Q_x \geq 0.1$, accuracy factor A_e of R, G should be multiplied by $\sqrt{1+Q_x^2}$

8.3.2 D accuracy

The accuracy of D is given by the formula below:

$$D_e = \pm \frac{A_e}{100}$$

The formula is only available when $D_x \leq 0.1$.

When $D_x > 0.1$, D_e should be multiplied by $(1+D_x)$

8.3.3 Q accuracy

The accuracy of Q is given by the formula below:

$$Q_e = \pm \frac{Q_x^2 \times D_e}{1 + Q_x \times D_e}$$

Where, Q_x is the value of the tested Q.

D_e is the accuracy of D

Above formula should be used when $Q_x \times D_e < 1$.

8.3.4 θ accuracy

The accuracy of θ is given by the formula below:

$$\theta_e = \frac{180}{\pi} \times \frac{A_e}{100} \quad [\text{deg}]$$

8.3.5 G accuracy

When D_x (tested value of D) ≤ 0.1

The accuracy of G is given by the formula below:

$$G_e = B_x \times D_e \quad [S]$$

$$B_x = 2\pi f C_x = \frac{1}{2\pi f L_x}$$

Where, B_x is the value of tested B with the unit [S].

C_x is the value of tested C with the unit [F].

L_x is the value of tested L with the unit [H].

D_e is the accuracy of D.

F is test frequency.

8.3.6 Rp accuracy

when D_x (value of tested D) ≤ 0.1

The accuracy of R_p is given by the formula below:

$$R_{pe} = \pm \frac{R_{px} \times D_e}{D_x \mp D_e} \quad [\Omega]$$

Where, R_{px} is the value of tested R_p with the unit [S].

D_x is the value of test D with the unit [F].

D_e is the accuracy of D.

8.3.7 Rs accuracy

when D_x (value of tested D) ≤ 0.1

The accuracy of R_s is given by the formula below:

$$R_{se} = X_x \times D_e \quad [\Omega]$$

$$X_x = 2\pi f L_x = \frac{1}{2\pi f C_x}$$

Where, X_x is the value of test X with the unit [S].

C_x is the value of test C with the unit [F].

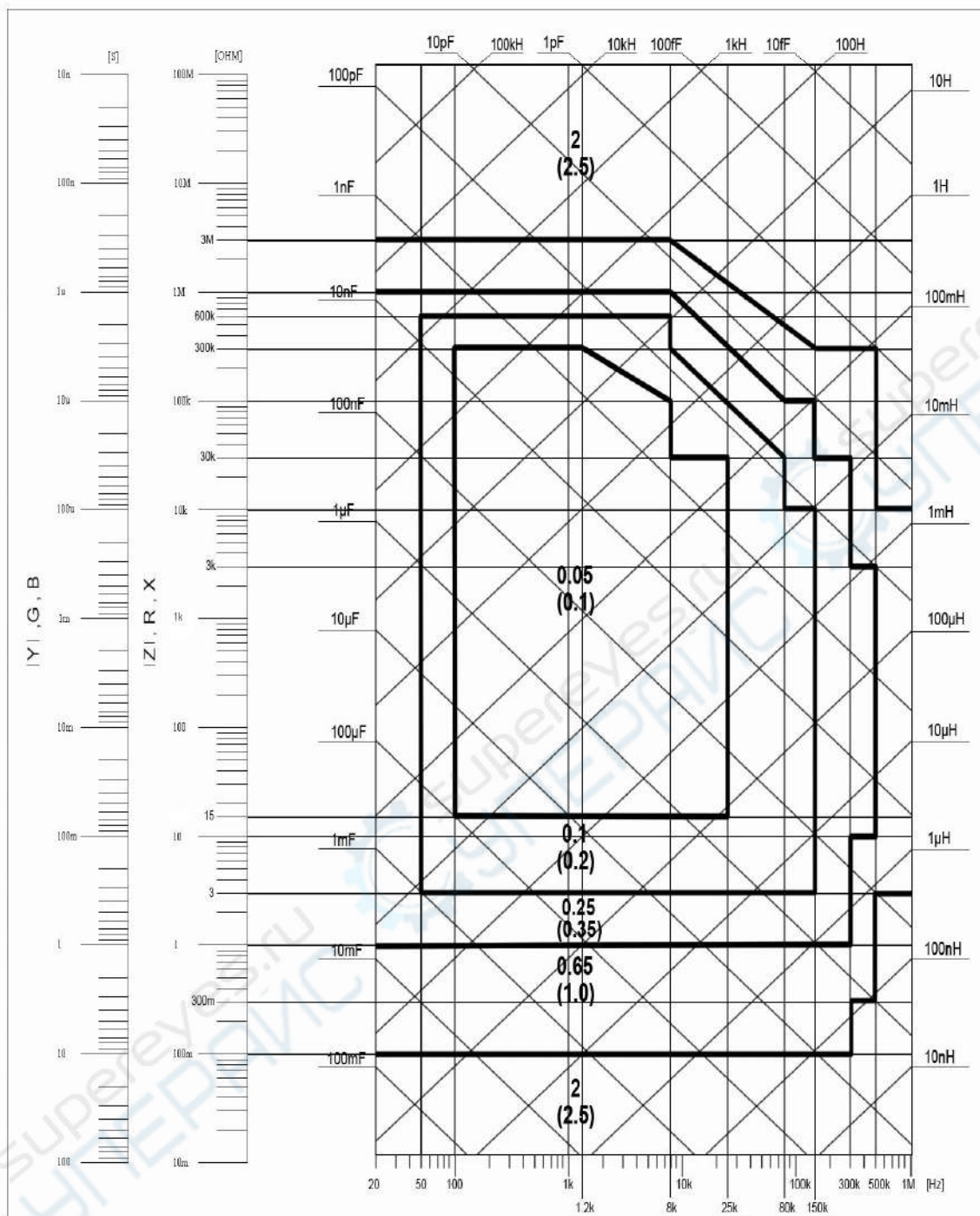
L_x is the value of test L with the unit [H].

D_e is the accuracy of D

F is test frequency

8.3.8 Accuracy factor

Figure A Basic measurement accuracy factor A



The basic measurement accuracy factor A can be obtained by the following methods:

In figure A, two values of basic measurement accuracy A are included in each frame. For example, the two values in the middle frame are 0.05(top) / 0.1(bottom).

When the test speed is MEDIUM or SLOW, select the value in the top, such as 0.05.

When the test speed is FAST, select the value in the bottom, such as 0.1.
 When in the boundary line of the frame, select a smaller value.

The basic measurement accuracy factor A is applicable to test level range of 500mVrms--1.0Vrms. When exceeding this level range, select the value of A_L according to Table A, the current basic measurement accuracy is obtained by calculating $A_L A$.

Where, V_s is test signal voltage.

Table A Level correction factor A_L

Test signal voltage V_s (Vrms)				
[50m, 5m]	[200m, 50m)	[500m, 200m)	[1, 500m)	[2, 1)
$2.5 \times 50mVrms / V_s$	2.5	$500mVrms / V_s$	1	2

Figure B shows the level correction factor A_L in graphic method according to the data listed in Table A.

Figure B Level correction factor A_L curve

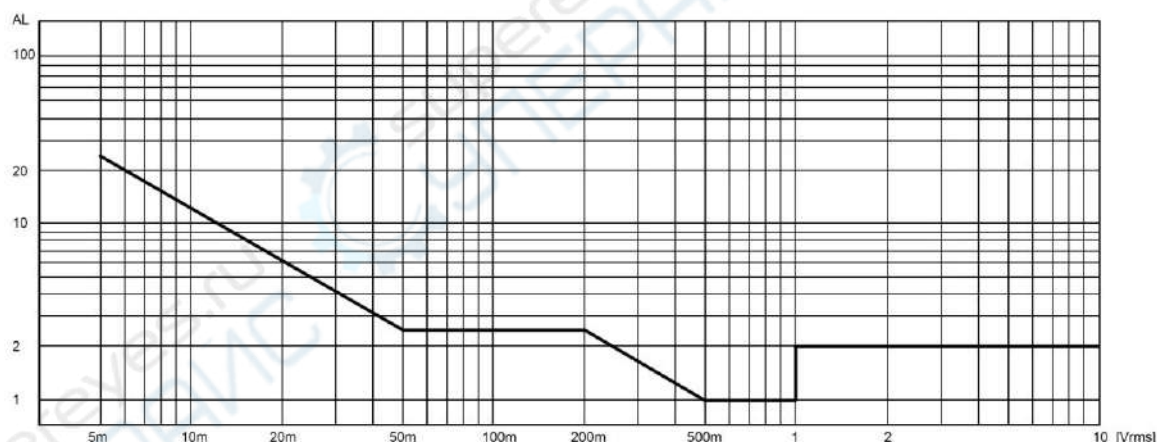


Table B Impedance rate factors: K_a, K_b

Speed	Frequency	K_a	K_b
Medium Slow	$f_m \leq 1.2kHz$	$(\frac{1 \times 10^{-3}}{ Z_m })(1 + \frac{200}{V_s}) \sqrt{\frac{100}{f_m}}$	$ Z_m (0.3 \times 10^{-9})(1 + \frac{70}{V_s}) \sqrt{\frac{100}{f_m}}$
	$1.2kHz < f_m \leq 8kHz$	$(\frac{1 \times 10^{-3}}{ Z_m })(1 + \frac{200}{V_s})$	$ Z_m (1 \times 10^{-9})(1 + \frac{70}{V_s})$
	$8kHz < f_m \leq 150kHz$		$ Z_m (3 \times 10^{-9})(1 + \frac{70}{V_s})$

	150kHz<fm ≤1MHz	$(\frac{1 \times 10^{-3}}{ Z_m })(3 + \frac{200}{V_s})$	$ Z_m (10 \times 10^{-9})(1 + \frac{70}{V_s})$
Fast	fm≤1.2kHz	$(\frac{2.5 \times 10^{-3}}{ Z_m })(1 + \frac{400}{V_s})\sqrt{\frac{100}{f_m}}$	$ Z_m (0.6 \times 10^{-9})(1 + \frac{100}{V_s})\sqrt{\frac{100}{f_m}}$
	1.2kHz<fm ≤8kHz	$(\frac{2.5 \times 10^{-3}}{ Z_m })(1 + \frac{400}{V_s})$	$ Z_m (2 \times 10^{-9})(1 + \frac{100}{V_s})$
	8kHz<fm ≤150kHz		$ Z_m (6 \times 10^{-9})(1 + \frac{100}{V_s})$
	150kHz<fm ≤1MHz	$(\frac{2.5 \times 10^{-3}}{ Z_m })(2 + \frac{400}{V_s})$	$ Z_m (20 \times 10^{-9})(1 + \frac{100}{V_s})$

Where, f_m is the test frequency and the unit is [Hz].

The unit of the tested impedance is [Ω].

The unit of the test signal voltage is [mV_{rms}].

When the impedance is smaller than 500 Ω , K_a , K_b is unavailable.

When the impedance is larger than 500 Ω , K_a , K_b is unavailable.

Table C when the cable length is extended, K_a should add the following value:

Cable length L [m]	0	1	2
Added value of K_a	0	0.0005	0.0010

Table D when the cable length is extended, K_b should multiply the following value:

Cable length L [m]	0	1	2
fm≤100kHz	1	1+5×fm	1+10×fm
100kHz<fm≤300kHz	1	1+2×fm	1+4×fm
300kHz<fm≤1MHz	1	1+0.5×fm	1+1×fm

Where, f_m is the test frequency and the unit is [MHz].

Table E calibrated interpolating factor K_c

Test frequency	K_c
Direct calibrated frequency (listed in Table F)	0
Other frequency	0.0003

Table F Direct Calibrated frequency

			20	25	30	40	50	60	80	[Hz]
100	120	150	200	250	300	400	500	600	800	[Hz]
1	1.2	1.5	2	2.5	3	4	5	6	8	[kHz]
10	12	15	20	25	30	40	50	60	80	[kHz]
100	120	150	200	250	300	400	500	600	800	[kHz]
1										[MHz]

There are 48 frequencies in Table F. The highest frequency of TH2829AX is 200kHz, the highest frequency of TH2829A is 300kHz, the highest frequency of TH2829B(BX) is 500kHz and the highest frequency of TH2829C(CX) is 1MHz.

Cable length factor K_d

$$0.15\% \times (F_m / 1\text{MHz})^2 \times L^2$$

F_m : test frequency [MHz]

L : test cable length [m], respectively 0m, 1m, 2m

Table G Temperature factor K_e

Temperature (°C)	0 - 18	18 - 28	28 - 40
K_e	4	1	4

8.3.9 DCR accuracy

$$A(1 + R_x/5M\Omega + 16m\Omega/R_x) [\%] \pm 0.2m\Omega$$

When the instrument is in Middle and slow speed, $A=0.25$

In Fast speed, $A=0.5$

Where, R_x is the tested resistance.

8.3.10 Lk accuracy

Inductance L 's accuracy $+0.2\%$

8.3.11 Turns to Ratio accuracy

$$\pm A_t \times A_r (1 + 1\Omega/Z_p + 1/Q) [\%] \pm 0.002$$

Fast: $A_T = 0.5$

Middle and slow: $A_T = 0.25$

Z_p is the impedance of the tested primary inductance

A_r is the test signal accuracy modification value in figure B

The accuracy index is used when the coupling coefficient is 1 or next to 1.

8.4 Safety requirement

The instrument is the I class safety instrument.

8.4.1 Insulation resistance

Under reference working condition, the insulation resistance between power terminal and instrument jacket should not be smaller than $50\text{M}\Omega$.

Under humidity condition, the insulation resistance between voltage terminal and instrument jacket should not be smaller than $2\text{M}\Omega$.

8.4.2 Insulation intensity

Under reference working condition, the insulation between the power terminal and the instrument jacket should bear an AC voltage (50Hz frequency and 1.5kV rated voltage) for 1 minute and there is no breakdown and flashover.

8.4.3 Leakage current

The leakage current should not be larger than 3.5mA (AC effective value).

8.5 Electromagnetic compatibility

- Transient sensitivity, based on the requirement of GB6833.4.
- Conductive sensibility, based on the requirement of GB6833.6.
- Radiated interference, based on the requirement of GB6833.10.

8.6 Performance test

8.6.1 Working condition

All tests should be performed under the working condition listed in Chapter 1. In this part, only the main indexes are listed. Users can make test under the specified condition mentioned in this manual. Performance test can be worked in the warm up conditions discussed in Chapter 1.

8.6.2 The used instruments and devices

No.	Instrument and Device	Specification
1	Standard capacitor	100pF
		1000pF
		10000pF
		10nF
		0.1uF
		1uF
2	AC standard resistor	10Ω
		100Ω
		1kΩ
		10kΩ
		100kΩ
3	DC standard resistor	0.1Ω
		1Ω
		10Ω
		100Ω
		1kΩ
		10kΩ
		100kΩ
4	Standard inductor	100μH
		1mH
		10mH
		100mH
5	Frequency counter	(0~1000) MHz
6	Digital Multimeter	0.5%
7	Insulation resistance meter	500V 10 levels
8	Hipot Tester	0.25kW (0~500) V

8.6.3 Function check

Ensure function keys, displayer and terminal etc. can work normally.

8.6.4 Test signal level

Adjust multimeter in AC voltage range, where one test cable is connected to H_{CUR} and the other is connected to ground terminal. Change level as: 10mV, 20mV, 100mV, 200mV, 1V, 2V, the reading should meet the demand of test signal level in this chapter.

8.6.5 Frequency

Connect frequency meter to ground terminal. The test terminal of the frequency meter is connected with H_{CUR} . Change the frequency as: 20Hz, 100Hz, 1kHz, 10kHz, 100kHz, 200kHz (TH2829AX is 200kHz). The reading of frequency meter should meet the demand of the test signal frequency in this chapter.

8.6.6 Measurement accuracy

Basic parameters are R, L, C and D, so measurement accuracy is mainly about R, L, C and D.

8.6.7 Accuracy of C and D

Function	C_p -D				
Test frequency	100Hz	1kHz	10kHz	100kHz	Test respectively
Level	1V				
Range	AUTO				
Bias	0V				
Speed	Slow				

Open and short correction should be made before testing. Connect standard capacitors: 100pF, 1000pF, 10nF, 0.1uF, 1uF and change the frequency. The error capacitance C between reading and nominal value should be in the range ruled in this chapter, dissipation D should be in the range ruled in this chapter.

8.6.8 Accuracy of L

Test condition:					
Function	L_s -Q				
Test frequency	100Hz	1kHz			Test respectively
Level	1V				
Range	AUTO				
Bias	0V				
Speed	Slow				

Open and short correction should be made before testing. Connect standard inductors: 100μH, 1mH, 10mH, 100mH and change the frequency. The error between reading and nominal value should be in the range ruled in this chapter.

8.6.9 Accuracy of Z

Test condition:	
Function	Z-θ

Test frequency	100Hz	1kHz	10kHz	100kHz	Test respectively
Level	1V				
Range	AUTO				
Bias	0V				
Speed	Slow				

Open and short correction should be made before testing. Connect standard AC resistors: 10 Ω , 100 Ω , 1k Ω , 10k Ω , 100k Ω and change the frequency. The error between reading and nominal value should be in the range ruled in this chapter.

8.6.10 Accuracy of DCR

Test condition	
Function	DCR
Test frequency	-----
Level	-----
Range	AUTO
Bias	-----
Speed	Slow

Short correction should be made before testing. Connect standard DC resistors: 0.1 Ω , 1 Ω , 10 Ω , 100 Ω , 1k Ω , 10k Ω , 100k Ω . The error between reading and nominal value should be in the range ruled in this chapter.

Chapter 9 Command Reference

The signs in this manual are as follows:

NR1: integer, e.g.:123

NR2: fix-point number, e.g.: 12.3

NR3: floating-point number, e.g.: 12.3E+5

NL: carriage key, integer: 10

^END: EOI signal in IEEE-488

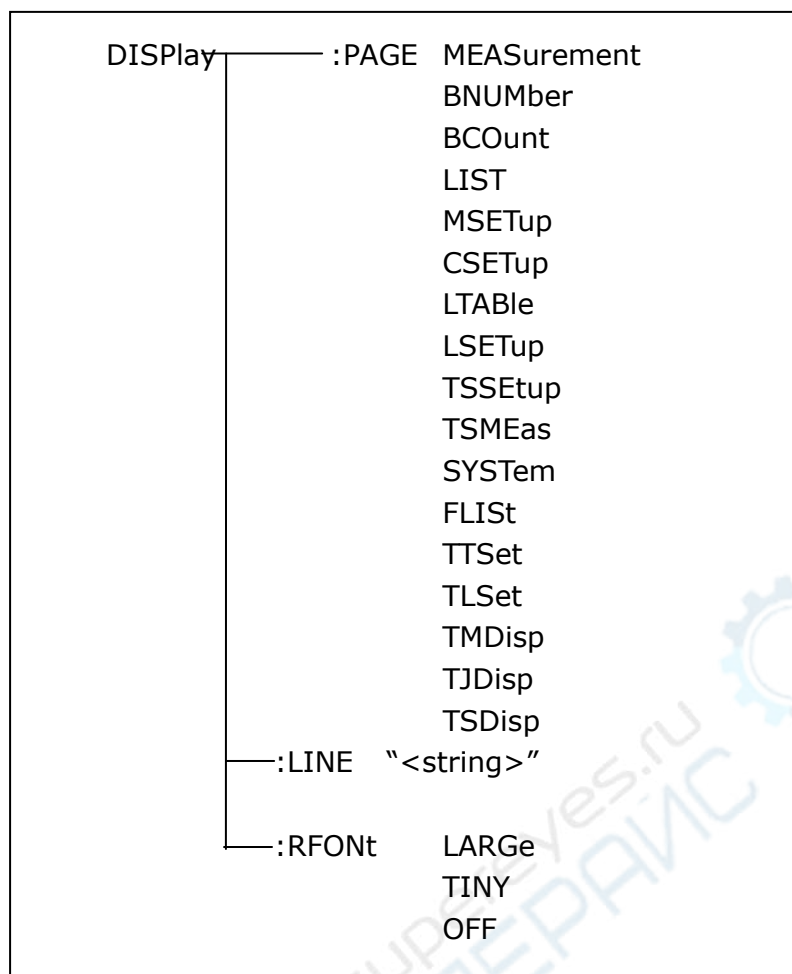
9.1 Subsystem commands for TH2829X

- DISPlay
- ORESister
- TRIGger
- CORRection
- FREQuency
- BIAS
- INITiate
- COMParator
- VOLTage
- FUNCTion
- FETCh?
- Mass MEMory
- CURRent
- LIST
- ABORT
- TRAN
- AMPLitude
- APERture
- STATus

9.1.1 DISPlay subsystem commands

DISPlay subsystem commands are mainly used to set the display page for the instrument. The :DISPlay? Query returns the current page.

Command tree:



The :PAGE command sets the display page.

The :DISPlay:PAGE? query returns the current page.

Command syntax: DISPlay:PAGE<page name>

<Page name> can be set as the following items:

MEASurement	Set the display page as the LCR measurement display.
BNUMBER	Set the display page as the bin number display.
BCOunt	Set the display page as the bin count display.
LIST	Set the display page as the list sweep display.
MSETup	Set the display page as the measurement display.
CSETup	Set the display page as the correction setup.
LTABLE	Set the display page as the limit table setup.
LSETup	Set the display page as the list sweep setup.
TSSEtup	Set the display page as the trace sweep setup.
TSMEas	Set the display page as the trace sweep display.
SYSTem	Set the display page as the system setup page.
FLISt	Set the display page as the file list page.
TTSet	Set the display page as the transformer test setup.
TLSet	Set the display page as the transformer list setup.
TMDisp	Set the display page as the transformer measurement display.
TJDisp	Set the display page as the transformer judge display.

TSDisp Set the display page as the transformer scan test page.

For example: WrtCmd("DISP:PAGE MEAS"), Set the display page as the LCR measurement display page.

Query syntax: DISPlay:PAGE?

Return format: <page name><NL^END>

<page name> can be set as the following items:

- <LCR MEAS DISP> The current page is the LCR measurement display page.
- <BIN No. DISP> The current page is the bin number display page.
- <BIN COUNT DISP> The current page is the bin count display page.
- <LIST SWEEP DISP> The current page is the list sweep display page.
- <MEAS SETUP> The current page is the measurement setup page.
- <CORRECTION> The current page is the correction page.
- <LIMIT TABLE SETUP> The current page is the limit table setup page.
- <LIST SWEEP SETUP> The current page is the list sweep setup page.
- <TRACE SWEEP SETUP> The current page is the trace sweep setup page.
- <TRACE SWEEP> The current page is the trace sweep display page.
- <SYSTEM SETUP> The current page is the system setup page.
- <FILE LIST> The current page is the file list page.
- <TRANS TEST SET> The current page is the transformer test setup page.
- <TRANS LIMIT SET> The current page is the transformer limit setup page.
- <TRANS MEAS DISP> The current page is the transformer measurement display page.
- <TRANS JUDGE DISP> The current page is the transformer judge display page.

The :LINE command is used to set the current measurement item which can be a substring with up to 16 characters. The :LINE? query returns the current measurement item. The character string of the measurement item can be used as the file name when saving a file.

Command syntax: DISPlay:LINE"<string>"

Where,

<string> can be an ASCII character string (maximum number is 16).

For example: WrtCmd("DISP:LINE" Resistor meas")

Query syntax: DISPlay:LINE?

Return format: <string><NL^END>

The :ResultFont command is used to set the current font of the measurement result. The :ResultFont? Query returns the current font of the measurement result.

Command syntax: DISPlay:RFONt

 can be the following information:

LARGE: Use large character to display the measurement result, 12ms/meas.

TINY: Use tiny character to display the measurement result, 5ms/meas.
 OFF: Measurement result will not be displayed but can be read from the bus.
 Query syntax: DISPlay:FRONT?
 Return format: <NL^END>
 can be the following information:
 LARGE
 TINY
 OFF

9.1.2 FREQuency subsystem commands

The FREQuency subsystem commands are mainly used to set the measurement frequency of the instrument. The :FREQuency query returns the current measurement frequency.

Command syntax:

$$\text{FREQuency} \left\{ \begin{array}{l} \text{<value>} \\ \text{MIN} \\ \text{MAX} \end{array} \right.$$

Where,

<value> NR1, NR2 or NR3 data format followed by Hz, kHz, MHz.

MIN Set the measurement frequency as 20Hz.

MAX Set the measurement frequency as 200kHz (The maximum frequency of TH2829AX is 200kHz, the maximum frequency of TH2829A is 300kHz, the maximum frequency of TH2829B/BX is 500kHz, the maximum frequency of TH2829C/CX is 1MHz)

For example: WrtCmd("FREQ 1KHZ") Set the frequency as 1000Hz.

Query syntax: FREQuency?

Return format: <NR3><NL^END>

9.1.3 VOLTage subsystem commands

The VOLTage subsystem commands are mainly used to set the measurement voltage. The VOLTage? query returns the current measurement voltage.

Command syntax:

$$\text{VOLTage} \left\{ \begin{array}{l} \text{<value>} \\ \text{MIN} \\ \text{MAX} \end{array} \right.$$

Where,

<value> NR1, NR2 or NR3 data format followed by V.

MIN Set the measurement voltage as 5mV.

MAX Set the measurement voltage as 2V.

For example: WrtCmd("VOLT 1V") Set the measurement voltage as 1V.

Query syntax: VOLTage?

Return format: <NR3><NL^END>

9.1.4 CURRent subsystem commands

The CURRent subsystem commands are mainly used to set the measurement current. The CURRent? query returns the current measurement current.

Command syntax:

CURRent { <value>
MIN
MAX

Where,

<value> NR1, NR2 or NR3 data format followed by MA.

MIN Set the measurement current as 50 μ A.

MAX Set the measurement current as 20mA.

For example: WrtCmd ("CURR 10MA") Set the measurement current as 10mA.

Query syntax: CURRent?

Return format: <NR3><NL^END>

9.1.5 AMPLitude subsystem commands

The :AMPLitude subsystem commands are mainly used to set the auto level control (ALC) function as ON or OFF. The :AMPLitude:ALC? query returns the current status of the ALC function.

Command syntax:

AMPLitude:ALC { ON
OFF
1
0

Where,

Character 1 (49) is equal to ON.

Character 0 (48) is equal to OFF.

For example: WrtCmd ("AMPL:ALC 0") Set the ALC function as OFF.

Query syntax: AMPLitude:ALC?

Return format: <NR1><NL^END>

9.1.6 Output RESistor subsystem commands

The Output RESistor subsystem commands are mainly used to set the output

internal resistor mode. The Output RESistor? query returns the current output internal resistance status.

Command syntax:

$$\text{ORESistor} \left\{ \begin{array}{l} 30 \\ 50 \\ 100 \end{array} \right.$$

For example: WrtCmd ("ORES 30") Set the output internal resistance is 30 OHM.

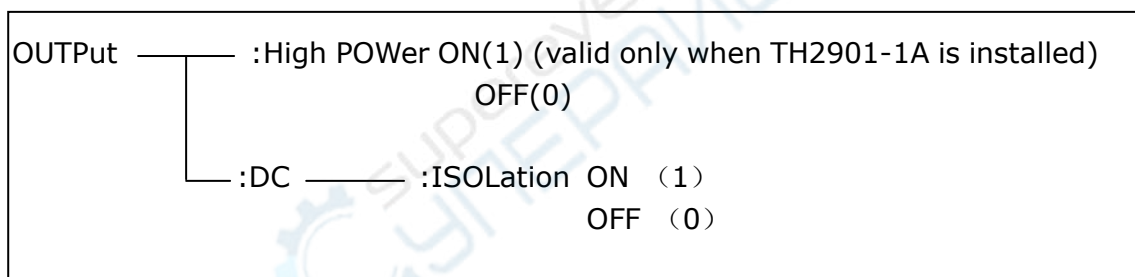
Query syntax: ORESistor?

Return format: <NR1><NL^END>

9.1.7 OUTPut subsystem commands

The OUTPut subsystem commands are mainly used to set the status of the 1A DC bias source and DC isolation function.

Command tree:



The OUTPut:HPOWER command is used to set the 1A DC bias source as ON or OFF. The OUTPut:HPOWER? query returns the current status of the 1A DC bias source. Before using this command, please ensure the option component 1A DC bias source has been installed.

Command syntax:

$$\text{OUTPut:HPOWER} \left\{ \begin{array}{l} \text{ON} \\ \text{OFF} \\ 1 \\ 0 \end{array} \right.$$

Where,

Character 1 (49) is equal to ON.

Character 0 (48) is equal to OFF.

Query syntax: OUTPut:HPOWER?

Return format: <INT><NL^END> or <OPT1><NL^END>, OPT means the 1A

DC bias source is used, or unused.

The `OUTPut:DC:ISOLation` command is used to set the DC isolation function of the 100mA/10V DC bias source as ON or OFF. The `OUTPut:DC:ISOLation?` query returns the current status of the DC isolation function.

Command syntax:

$$\text{OUTPut:DC:ISOLation} \begin{cases} \text{ON} \\ \text{OFF} \\ 1 \\ 0 \end{cases}$$

Where,

Character 1 (49) is equal to ON.

Character 0 (48) is equal to OFF.

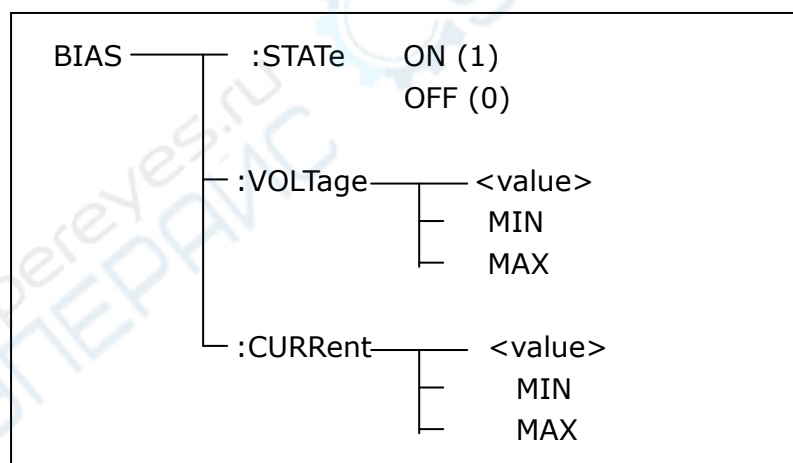
Query syntax: `OUTPut:DC:ISOLation?`

Return format: `<NR1><NL^END>`

9.1.8 BIAS subsystem commands

The `:BIAS` subsystem commands are mainly used to set the internal bias voltage and the bias status.

Command tree:



The `BIAS:STATe` command is used to set the bias status. The `:STATe?` query returns the current bias status.

Command syntax:

$$\text{BIAS:STATe} \begin{cases} \text{ON} \\ \text{OFF} \\ 1 \\ 0 \end{cases}$$

Where,

Character 1 (49) is equal to ON.

Character 0 (48) is equal to OFF.

For example: WrtCmd ("BIAS:STATE 0") Set the DC bias function as OFF.

Query syntax: BIAS:STATE?

Return format: <NR1><NL^END>

The BIAS:VOLTage command is used to set the internal bias voltage. The BIAS:VOLTage? query returns the current bias voltage.

Command syntax:

BIAS:VOLTage { <value>
MIN
MAX

Where,

<value> NR1, NR2 or NR3 data format.

MIN Set the bias voltage as 0V.

MAX Set the bias voltage as 10V.

For example: WrtCmd ("BIAS:VOLT MIN") Set the DC bias voltage as 0V.

Query syntax: BIAS:VOLTage?

Return format: <NR1><NL^END>

The BIAS:CURREnt command is used to set the external bias current. The BIAS:CURREnt? query returns the bias current. The external bias current is controlled by serial interface, so only GPIB interface supports this command.

Command syntax:

BIAS:CURREnt { <value>
MIN
MAX

Where,

<value> NR1, NR2 or NR3 data format

MIN Set the bias current as 0A.

MAX Set the bias current as 100mA.

For example: WrtCmd ("BIAS:CURR MIN") Set the DC bias current as 0A.

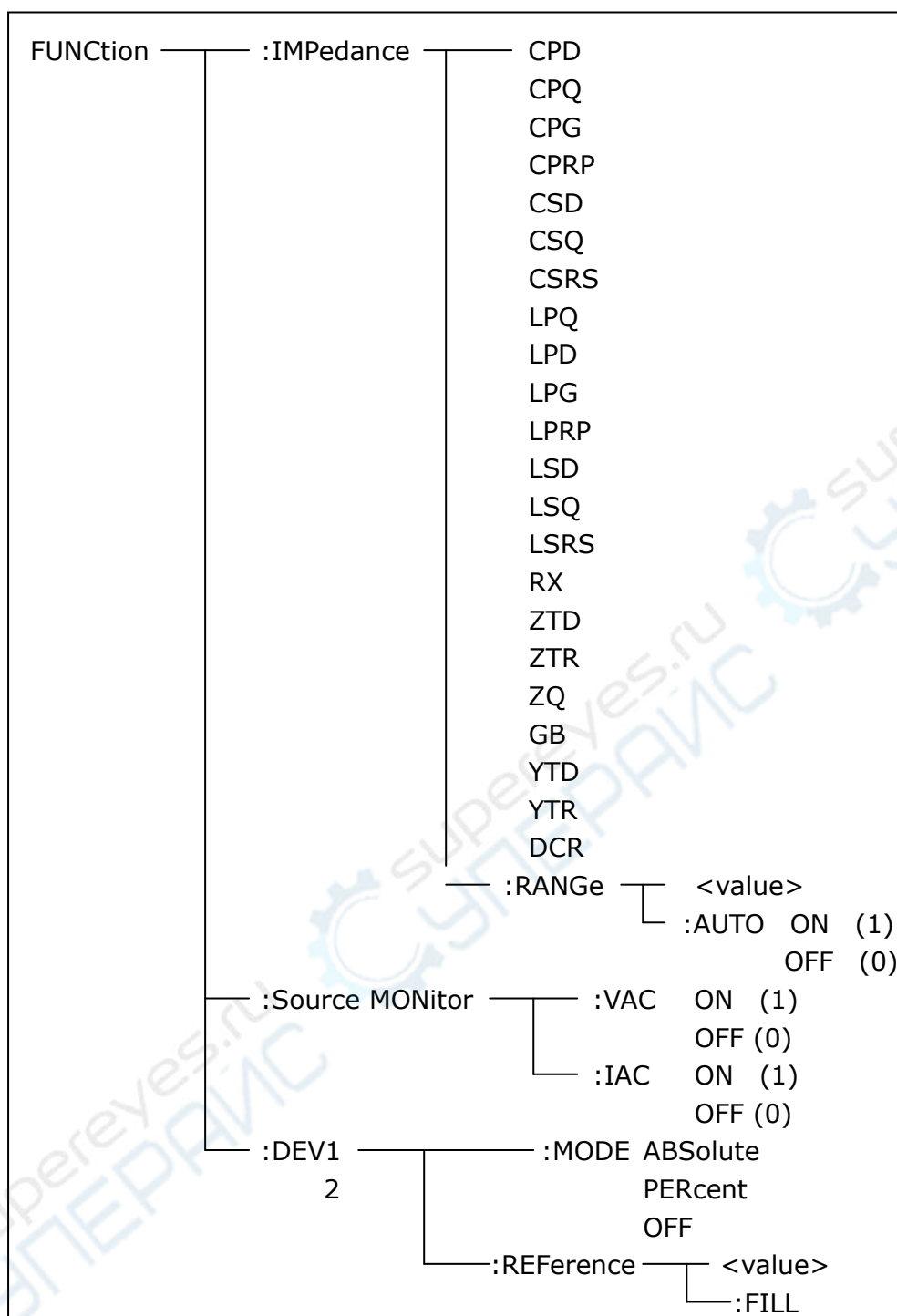
Query syntax: BIAS:CURREnt?

Return format: <NR3><NL^END>

9.1.9 FUNCTION subsystem commands

The FUNCTION subsystem commands are mainly used to set measurement functions, range, current/voltage monitor ON/OFF, deviation display mode, nominal setting.

Command tree:



The FUNCTION:IMPedance command is used to set instrument functions. The FUNCTION:IMPedance? query returns the current function parameters.

Command syntax: FUNCTION:IMPedance <function>

<function> can be one of the following items.

CPD Set the function as Cp-D LPRP Set the function as Lp-Rp

CPQ	Set the function as Cp-Q	LSD	Set the function as Ls-D
CPG	Set the function as Cp-G	LSQ	Set the function as Ls-Q
CPRP	Set the function as Cp-Rp	LSRS	Set the function as Ls-Rs
CSD	Set the function as Cs-D	RX	Set the function as R-X
CSQ	Set the function as Cs-Q	ZTD	Set the function as Z- θ°
CSRS	Set the function as Cs-Rs	ZTR	Set the function as Z- θ_r
LPQ	Set the function as Lp-Q	ZQ	Set the function as Z-Q
GB	Set the function as G-B	LPD	Set the function as Lp-D
YTD	Set the function as Y- θ°	LPG	Set the function as Lp-G
YTR	Set the function as Y- θ_r		

For example: WrtCmd ("FUNC:IMP RX") Set the function as R-X.

Query syntax: FUNCtion:IMPedance?

Return format: <function><NL^END>

The FUNCtion:IMPedance:RANGe command is used to set the range. The FUNCtion:IMPedance:RANGe? query returns the current range.

Command syntax: FUNCtion:IMPedance:RANGe <value>

Where, <value> can be the impedance of the DUT or NR1, NR2 or NR3 data format followed by OHM or KOHM.

For example: WrtCmd ("FUNC:IMP:RANG 1KOHM") Set the range as 1kOHM.

Query syntax: FUNCtion:IMPedance:RANGe?

Return format: <value><NL^END>

Where, <value> can be

10	30	100
300	1000	3000
10000	30000	100000

The FUNCtion:IMPedance:RANGe:AUTO command is used to set the automatic range selection status. The FUNCtion:IMPedance:RANGe:AUTO? query returns the current range status.

Command syntax:

FUNCtion:IMPedance:RANGe:AUTO	{	ON (1)
		OFF (0)

Where,

Character 1 (49) is equal to ON.

Character 0 (48) is equal to OFF.

For example: WrtCmd ("FUNC:IMP:RANG:AUTO ON") Set the automatic range as ON.

Query syntax: FUNCtion:IMPedance:RANGe:AUTO?

Return format: <NR1><NL^END>

The FUNCTION:Source MONitor:VAC command is used to set the voltage monitor ON or OFF. The FUNCTtion:Source MONitor:VAC? query returns the current voltage monitor status.

FUNCTION:SMONitor:VAC $\left\{ \begin{array}{l} \text{ON (1)} \\ \text{OFF (0)} \end{array} \right.$

Where,

Character 1 (49) is equal to ON.

Character 0 (48) is equal to OFF.

For example: WrtCmd ("FUNC:SMON:VAC ON") Set the voltage monitor as ON.

Query syntax: FUNCTION:SMONitor:VAC?

Return format: <NR1><NL^END>

The FUNCTION:SMONitor:IAC command is used to set the current monitor as ON or OFF. The FUNCTION:SMONitor:IAC? query returns the current monitor status.

Command syntax:

FUNCTION:SMONitor:IAC $\left\{ \begin{array}{l} \text{ON (1)} \\ \text{OFF (0)} \end{array} \right.$

Where,

Character 1 (49) is equal to ON.

Character 0 (48) is equal to OFF.

For example: WrtCmd ("FUNC:SMON:IAC ON") Set the current monitor as ON.

Query syntax: FUNCTION:SMONitor:IAC?

Return format: <NR1><NL^END>

The FUNCTION:DEV<n>:MODE command is used to set the deviation measurement mode. The FUNCTION:DEV<n>:MODE? query returns the current deviation measurement mode.

Command syntax:

FUNCTION:DEV<n>:MODE $\left\{ \begin{array}{l} \text{ABSolute} \\ \text{PERCent} \\ \text{OFF} \end{array} \right.$

Where,

ABSolute Absolute value deviation display

PERCent Percent deviation display

OFF Real value display

Where, <n> is

Character 1 (49) is equal to the nominal value of primary parameter.

Or character 2 (50) is equal to the nominal value of the secondary parameter.

For example: WrtCmd ("FUNC:DEV1:MODE ABS")

Query syntax: FUNCtion:DEV<n>:MODE?

Return format:

ABX	}	<NL^END>
PERC		
OFF		

The FUNCtion:DEV<n>:REFerence<value> command is used to set the nominal value of the deviation. The FUNCtion:DEV<n>:REFerence<value>? query returns the current nominal value of the deviation.

Command syntax: FUNCtion:DEV<n>:REFerence<value>

Where,

<value> is NR1, NR2 or NR3 data format.

<n> is

Character 1 (49) is equal to the nominal value of primary parameter.

Or character 2 (50) is equal to the nominal value of the secondary parameter.

For example: WrtCmd ("FUNC:DEV1:REF 10")

Query syntax: FUNCtion:DEV<n>:REFerence?

Return format: <NR3><NL^END>

The FUNCtion:DEV<n>:REFerence:FILL command is used to set the nominal value of the deviation. This command directs the instrument to make a test and then copies the results of the primary and the secondary parameters as the nominal values of the deviation.

Command syntax: FUNCtion:DEV<n>:REFerence:FILL

Where,

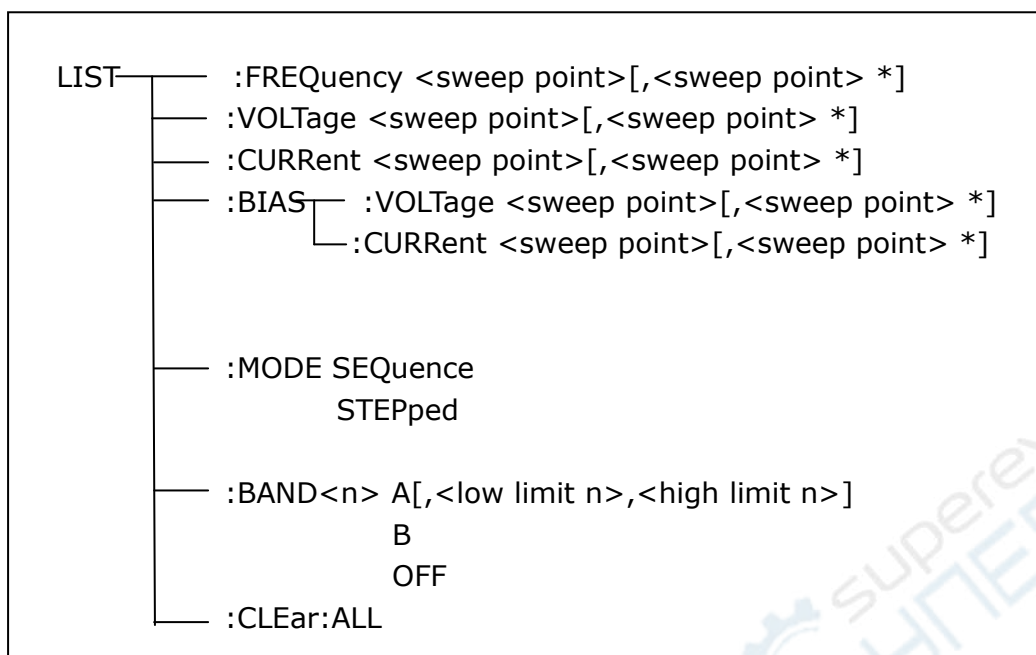
Character 1 (49) or haracter 2 (50)is equal to the nominal values of the primary and secondary parameters.

For example: WrtCmd ("FUNC:DEV1:REF:FILL")

9.1.10 LIST subsystem commands

The LIST subsystem commands are mainly used to set the list sweep function, sweep points, sweep mode, sweep limits.

Command tree:



The LIST:FREQuency command is used to clear the original sweep points and set the frequencies of the sweep points. The LIST:FREQuency? query returns the current frequency of each sweep point.

Command syntax: LIST:FREQuency<value>[,<value>*]

NOTE: * part means 201 sweep points at most can be set.

Where,

<value> is NR1, NR2 or NR3 data format.

<value> should be set from

20HZ-200KHZ(TH2829AX),

20HZ-300KHZ(TH2829A),

20HZ-500KHZ(TH2829B(BX)),

20HZ-1MHZ(TH2829C(CX)),

or return format will report errors.

For example: WrtCmd("LIST:FREQ 1E3, 2E3, 3E3, 4E3")

Set the frequency of the sweep point 1 as 1KHZ;

Set the frequency of the sweep point 2 as 2KHZ;

Set the frequency of the sweep point 3 as 3KHZ;

Set the frequency of the sweep point 4 as 4KHZ;

NOTE: HZ(hertz) is the suffix unit, MAHZ and MHZ is MHz (1E6 Hz).

Query syntax: LIST:FREQuency?

Return format: <NR3>[,<NR3>*]<NL^END>

The LIST:VOLTage command is used to clear the original voltage of the each sweep point and reset the voltage. The LIST:VOLTage? query returns the current voltage of each sweep point.

Command syntax: LIST:VOLTage<value>[,<value>*]

NOTE: * part means 201 sweep points at most can be set.

Where,

<value> is NR1, NR2 or NR3 data format.

For example: WrtCmd ("LIST:VOLT 1.5") Set the frequency of the sweep point 1 as 1.5V.

WrtCmd ("LIST:VOLT 1E-2, 2E-2, 3E-2, 4E-2") Set the frequencies of sweep point 1, 2, 3 and 4 respectively as 10mV, 20mV, 30mV and 40mV.

NOTE: This command can be followed by suffix unit V.

Query syntax: LIST:VOLTage?

Return format: <NR3>[,<NR3>*]<NL^END>

<value> should be set from 5mV to 2V, or return format will report errors.

The LIST:CURRent command is used to clear the measurement current of each sweep point and reset the current. The LIST:CURRent? query returns the current of each sweep point.

Command syntax: LIST:CURRent<value>[,<value>*]

NOTE: * part means 201 sweep points at most can be set.

Where,

<value> is NR1, NR2 or NR3 data format.

For example: WrtCmd ("LIST:CURR 100MA") Set the measurement current of the sweep point 1 as 100mA.

WrtCmd ("LIST:CURR 1E-2, 2E-2, 3E-3, 4E-3") Set the currents of sweep points 1, 2,3 and 4 respectively as 10mA, 20mA, 3mA and 4mA.

NOTE: This command can be followed by a suffix unit A (ampere).

Query syntax: LIST:CURRent?

Return format: <NR3>[,<NR3>*]<NL^END>

NOTE: The current of each sweep point should be set from 50μA to 20mA, or return format will report errors.

The LIST:BIAS:VOLTage command is used to clear the original DC bias voltage of each sweep point and reset the voltage. The LIST:BIAS:VOLTage? query returns the current DC bias voltage of each sweep point.

Command syntax: LIST:BIAS:VOLTage<value>[,<value>*]

NOTE: * part means 201 sweep points at most can be set.

Where,

<value> is NR1, NR2 or NR3 data format.

For example: WrtCmd ("LIST:BIAS:VOLT 1.5V")

Set the DC bias voltage of sweep point 1 as 1.5V.

Query syntax: LIST:BIAS: VOLTage?

Return format: <NR3>[,<NR3>*]<NL^END>

The LIST:BIAS:CURRent command is used to clear the original DC bias current of each sweep point and reset them. The LIST:BIAS:CURRent? query returns the the DC bias current of each sweep point.

Command syntax: LIST:BIAS:CURRent<value>[,<value>*]

NOTE: * part means 201 sweep points at most can be set.

Where,

<value> is NR1, NR2 or NR3 data format.

For example: WrtCmd ("LIST:BIAS:CURR 100MA") Set the DC bias current of the sweep point 1 as 100mA.

WrtCmd ("LIST:BIAS:CURR 1E-2, 2E-2, 3E-2,4E-2") Set the DC bias currents of sweep points 1, 2, 3 and 4 respectively as 10mA, 20mA, 30mA and 40mA.

Query syntax: LIST:BIAS:CURRent?

Return format: <NR3>[,<NR3>*]<NL^END>

NOTE: TH2829 instrument has installed a 10V/100mA internal DC bias current source. If 1A DC source is required, please install an external source. The instrument can be used with TH1778 DC Bias Source (providing DC current from 0 to 20A and can be bought from our company).

The LIST:MODE command is used to set the list sweep mode. The LIST:MODE? query returns the current list sweep mode.

Command syntax:

LIST:MODE $\left\{ \begin{array}{l} \text{SEQ} \\ \text{STEP} \end{array} \right\}$

Where,

SEQ means sequential mode.

STEP means single step mode.

For example: WrtCmd ("LIST:MODE SEQ")

Query syntax: LIST:MODE?

Return format:

$\left\{ \begin{array}{l} \text{SEQ} \\ \text{STEP} \end{array} \right\}$ <NL^END>

The LIST:BAND<n> command is used to set the limits of list sweep table. The LIST:BAND<n>? query returns the current limits.

Command syntax: LIST:BAND<n><parameter>[,<low limit n>,<high limit n>]

Where,

<n> 1 to 10 (NR1 format): sweep points on the n_{th} line

<parameter> A Compare the primary parameter of the test results with the high and the low limits.

- B Compare the secondary parameter of the test results with the high and the low limits.
- OFF No comparison
- <low limit n> NR1, NR2 or NR3 data format, low limit of the sweep point on the n_{th} line.
- <high limit n> NR1, NR2 or NR3 data format, high limit of the sweep point on the n_{th} line.

For example: WrtCmd ("LIST:BAND1 A, 10, 20")

WrtCmd ("LIST:BAND3 OFF")

Query syntax: LIST:BAND<n>?

Return Format: <parameter>,<low limit n>,<high limit n>

The LIST:CLear:ALL command is used to clear the setup data of all the sweeping points.

Query syntax: LIST:CLear:ALL

9.1.11 APERture subsystem commands

The APERture subsystem commands are mainly used to set the measurement speed, average times used in measurement. The APERture? query returns the current measurement speed, average times.

Command syntax:

$$\text{APERture} \left\{ \begin{array}{l} \text{FAST} \\ \text{MEDium} \\ \text{SLOW} \end{array} \right\} [, <\text{value}>]$$

Where,

FAST: 30 times/sec

MEDium: 10 times/sec

SLOW: 2 times/sec

<value> 1 to 255 in NR1

For example: WrtCmd ("APER MED, 55")

Query syntax: APERture?

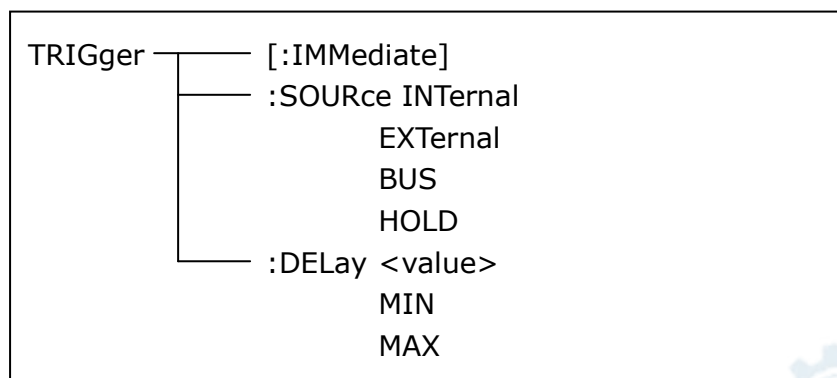
Return format:

$$\left\{ \begin{array}{l} \text{FAST} \\ \text{MED} \\ \text{SLOW} \end{array} \right\} , <\text{NR1}><\text{NL}^{\wedge}\text{END}>$$

9.1.12 TRIGger subsystem commands

The TRIGger subsystem commands are mainly used to set the instrument trigger source, trigger delay and trigger measurement.

Command tree:



The TRIGger[:IMMEDIATE] command is used to trigger a test.

Command syntax: TRIGger[:IMMEDIATE]

For example: WrtCmd("TRIG")

The TRIGger:SOURce command is used to set the trigger source mode. The TRIGger:SOURce? query returns the current trigger source mode.

Command syntax:

TRIGger:SOURce { INTERNAL
EXTernal
BUS
HOLD }

Where,

INTERNAL The default trigger mode.

EXTernal Triggered by HANDLER interface.

BUS Triggered by RS232C interface or GPIB interface

HOLD Triggered by pressing **TRIGGER**.

For example: WrtCmd ("TRIG:SOUR BUS")

Query syntax: TRIGger:SOURce?

Return format:

{ INT
EXT
BUS
HOLD } <NL^END>

The TRIGger:DElay command is used to set the delay time after triggering. The TRIGger:DElay? query returns the current delay time.

Command syntax:

TRIGger:DElay { <value>
MIN
MAX

Where,

<value> In NR1, NR2 or NR3 data format, from 0 to 60s with 1ms as the resolution.

MIN Set the delay time as 0s.

MAX Set the delay time as 60s.

For example: WrtCmd ("TRIG:DEL 5s") Set the delay time as 5s.

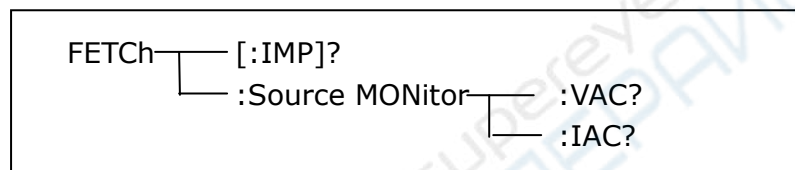
Query syntax: TRIGger:DElay?

Return format: <NR3><NL^END>

9.1.13 FETCh? subsystem commands

The FETCh? subsystem commands are mainly used to direct TH2829X to input a measurement result.

Command tree:



The FETCh[:IMP]? query directs TH2829X to input the last measurement result to the output buffer zone.

Query syntax: FETCh[:IMP]?

For example: WrtCmd ("TRIG:SOUR BUS")

WrtCmd ("TRIG")

WrtCmd ("FETC?")

TH2829X applies ASCII to delivery result, details are follows.

On measurement display page, bin NO. display page, bin count display page, ASCII data output format are described as below:

SN.NNNNNNESNN , SN.NNNNNNESNN , SN , SN or SNN NL^END
 <DATA A> <DATA B> <Status> <BIN number>

Where,

<DATA A>, <DATA B> format: <DATA A> (primary measurement data), <DATA B> (secondary measurement data)

12-digits ASCII format are as below:

SN.NNNNNNESNN

(S:+/-,N: from 0 to 9, E: Exponent Sign)

Status	Description
--------	-------------

-1	(In data buffer memory) no data
0	Common measurement data
+1	Analog LCR unbalance
+2	A/D converter is not working.
+3	Signal source is over loading.
+4	Constant voltage cannot be adjusted.

<status> format: When above measurement data is used, <status> data will display measurement status.

The output format of the <Status> display data uses 2-digits ASCII: SN (S: +/-, N: from 0 to 4)

NOTE: When <status> is -1, +1 or +2, the measurement data is 9.9E37. When <status> is 0, +3 or +4, the real measurement data is beyond the limits.

Data	Sort result
0	Out of tolerance
+1	Bin 1
+2	Bin 2
+3	Bin 3
+4	Bin 4
+5	Bin 5
+6	Bin 6
+7	Bin 7
+8	Bin 8
+9	Bin 9
+10	Auxiliary bin

<Bin No.> format: The data displays the sorting results of the displayed bin, shown as above.

Only when the instrument compare function is set as ON, <bin No.> data can be displayed.

The output format of <bin No.> data applies 2 to 3 digits ASCII: SN or SNN (S: +/-, N: from 0 to 9).

On list sweep display page, the ASCII data output format is shown as below, that is, the return-circuit replaces sweep point number.

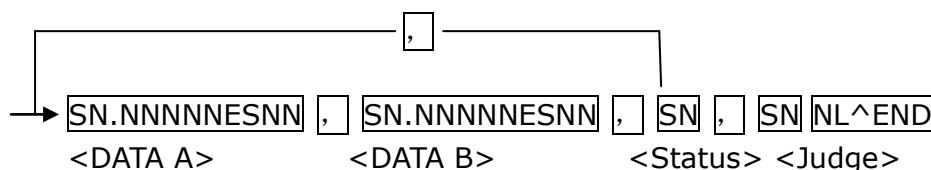


Figure 6 ASCII format 2 (list sweep)

Where,
 Descriptions for <DATA A>, <DATA B>, <Status> are the same described before.

<Judge> format is as below:

<Input/Output> format: The data displays the compare result of the list sweep..

Data	Result
-1	low
0	pass
+1	high

When the compare function of the list sweep measurement is turned off, the output result of <Input/Output> is 0.

<Input/Output> data output format applies 2-digits ASCII format: SN (S: +/_, N: from 0 to 1)

On transformer single-machine measurement display page, ASCII data output format is as below:

[SN] [,] [SN.NNNNNESNN] [,] [SN.NNNNNESNN] [,] [SN] [NL^END]
 <Serial number> <DATA A> <DATA B> <Status>

<SN> is described as below:

SN	Description
1	TURN
2	Zx
3	Acr
4	Lx
5	LK
6	DCR

Description of <DATA A> is the same as that described above. Secondary parameter of <DATA B> has two formats:

When the measurement parameter is the turn ratio (TURN), secondary parameter <DATA B> is the phase and input format is + (in-phase), - (anti-phase);

When the measurement parameter is inductance (Zx), secondary parameter <DATA B> is the phase angle θ , its description is the same as that of <DATA A>.

When the measurement parameter is inductance (Acr), secondary parameter of <DATA B> is inductance X, its description is the same as that of <DATA A>.

When the measurement parameter is inductance Lx, the secondary parameter of <DATA B> is the quality factor Q, its description is the same as that of <DATA A>.

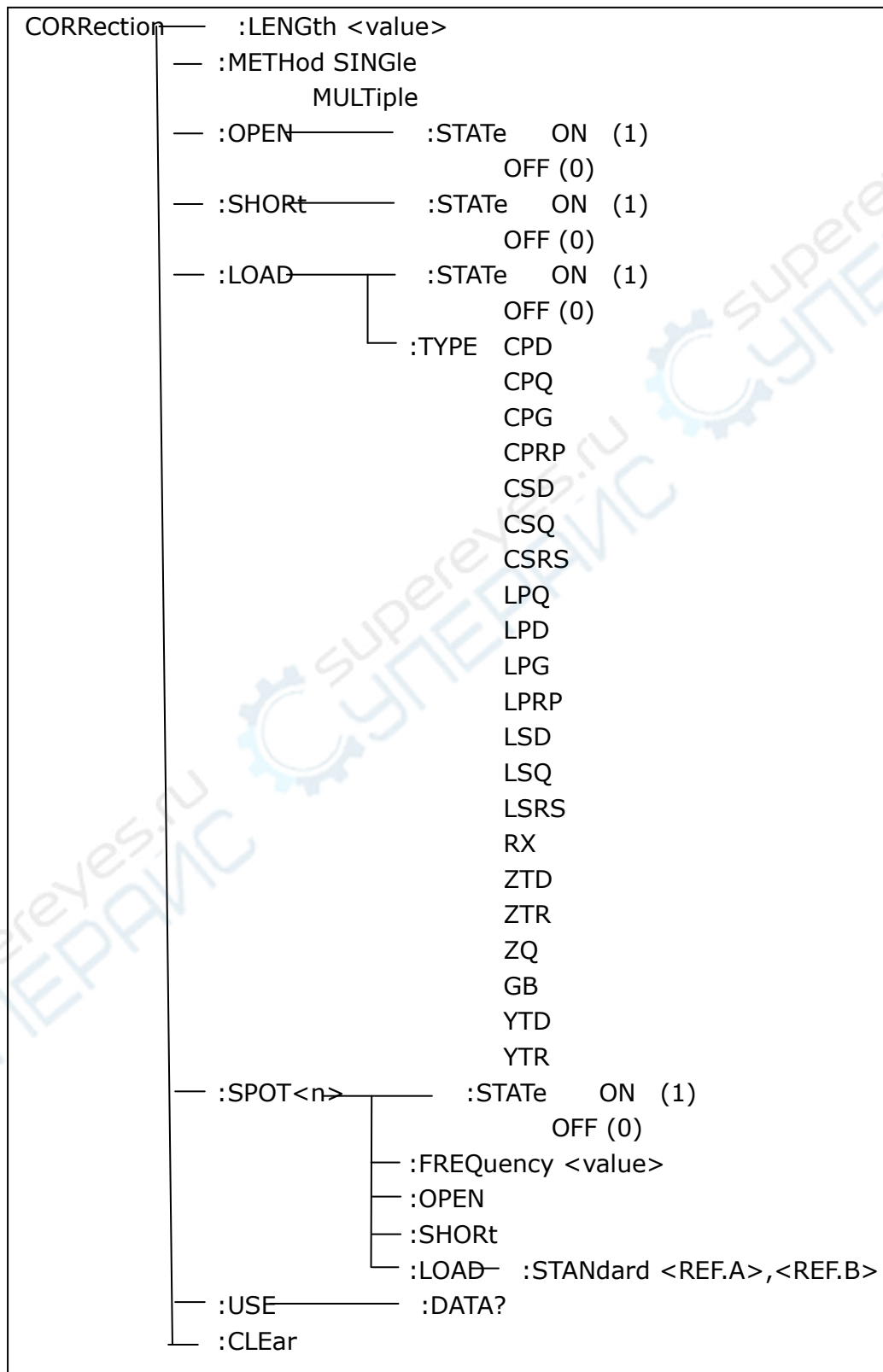
Meanwhile when the measurement serial number is equal to or larger than 5 (that is to say testing leakage inductance LK and DC resistance DCR), no secondary parameter will be displayed but directly display the status. The status format is : SN: +/_, N is 0/1.

Status	Description
-1	Low
0	Pass
1	High

9.1.14 CORRection subsystem commands

The CORRection subsystem commands are mainly used to set the correction function, OPEN, SHORT, LOAD.

Command tree:



The CORRection:LENGth command is used to set the correction cable length. The CORRection:LENGth? query returns the current set cable length.

Command syntax: CORRection:LENGth<value>

Where,

<value> is 0, 1, 2 or 4 followed by M.

For example: WrtCmd ("CORR:LENG 1M") Set the cable length as 1 meter.

Query syntax: CORRection:LENGth?

Return format: <NR1><NL^END>

The CORRection:METhod command is used to set the correction mode. The CORRection:METhod? query returns the current correction mode.

Command syntax: CORRection:METhod $\left\{ \begin{array}{l} \text{SINGle} \\ \text{MULTi} \end{array} \right\}$

Where,

SINGle Set or return single channel mode.

MULTi Set or return multi channel mode.

For example: WrtCmd ("CORR:METh MULT") Set the instrument as multi channel mode.

Query syntax: CORRection:METhod?

Return format: $\left\{ \begin{array}{l} \text{SINGle} \\ \text{MULTi} \end{array} \right\} <NL^END>$

The CORRection:OPEN command is used to execute open correction for 48 (TH2829C/CX) preset test points (TH2829AX has 41 preset test points, TH2829A has 43 preset test points, TH2829B/BX has 45 preset test points).

Command syntax: CORRection:OPEN

For example: WrtCmd ("CORR:OPEN")

The CORRection:OPEN:STATe command is used to set the open correction ON or OFF. The CORRection: OPEN:STATe? query returns the current open correction status.

Command syntax:

CORRection:OPEN:STATe $\left\{ \begin{array}{l} \text{ON} \\ \text{OFF} \\ 1 \\ 0 \end{array} \right\}$

Where,

1 (decimal 49) is equal to ON.

0 (decimal 48) is equal to OFF.

For example: WrtCmd ("CORR:OPEN: STAT ON")

Query syntax: CORRection:OPEN:STATe?

Return format: <NR1><NL^END>

The CORRection:SHORt command is used to execute short correction for 48(TH2829C/CX) preset test points (TH2829AX has 41 preset test points, TH2829A has 43 preset test points, TH2829B/BX has 45 preset test points).

Command syntax: CORRection:SHORt

For example: WrtCmd ("CORR:SHOR")

The CORRection:SHORt:STATe command is used to set the short correction status.

The CORRection:SHORt:STATe? query returns the current short correction status.

Command syntax:

$$\text{CORRection:SHORt:STATe} \left\{ \begin{array}{l} \text{ON} \\ \text{OFF} \\ 1 \\ 0 \end{array} \right\}$$

Where,

1 (decimal 49) is equal to ON.

0 (decimal 48) is equal to OFF.

For example: WrtCmd ("CORR:SHOR:STAT ON")

Query syntax: CORRection:SHORt:STATe?

Return format: <NR1><NL^END>

The CORRection:LOAD:STATe command is used to set load correction. The CORRection:LOAD:STATe? query returns the current load correction status.

Command syntax:

$$\text{CORRection:LOAD:STATe} \left\{ \begin{array}{l} \text{ON} \\ \text{OFF} \\ 1 \\ 0 \end{array} \right\}$$

Where,

1 (decimal 49) is equal to ON.

0 (decimal 48) is equal to OFF.

For example: WrtCmd ("CORR:LOAD:STAT ON")

Query syntax: CORRection:LOAD:STATe?

Return format: <NR1><NL^END>

The CORRection:LOAD:TYPE command is used to set the tested parameter type.

The CORRection:LOAD:TYPE query returns the current parameter type.

Details of function are as follows:

CPD	Set the function as Cp-D	LPRP	Set the function as Lp-Rp
CPQ	Set the function as Cp-Q	LSD	Set the function as Ls-D
CPG	Set the function as Cp-G	LSQ	Set the function as Ls-Q
CPRP	Set the function as Cp-Rp	LSRS	Set the function as Ls-Rs

CSD	Set the function as Cs-D	RX	Set the function as R-X
CSQ	Set the function as Cs-Q	ZTD	Set the function as Z-θ°
CSRS	Set the function as Cs-Rs	ZTR	Set the function as Z-θr
LPQ	Set the function as Lp-Q	ZQ	Set the function as Z-Q
GB	Set the function as G-B	LPD	Set the function as Lp-D
YTD	Set the function as Y-θ°	LPG	Set the function as Lp-G
YTR	Set the function as Y-θr		

For example: WrtCmd ("CORR:LOAD:TYPE CPD")

Query syntax: CORRection:LOAD:TYPE?

Return format: <function><NL^END>

The CORRection:SPOT<n>:STATe command is used to set the state of some specific frequency spots. The CORRection:SPOT<n>:STATe query returns the current state of each frequency spot (FREQ 1, FREQ 2...FREQ 201).

Command syntax:

$$\text{CORRection:SPOT}\langle n \rangle\text{:STATe} \left\{ \begin{array}{l} \text{ON} \\ \text{OFF} \\ 1 \\ 0 \end{array} \right\}$$

Where,

1 (decimal 49) is equal to ON.

0 (decimal 48) is equal to OFF.

<n>:

Frequency spot 1~201.

For example: WrtCmd ("CORR:SPOT1:STAT ON")

Query syntax: CORRection:SPTO<n>:STATe?

Return format: <NR1><NL^END>

The CORRection:SPOT<n>:FREQuency command is used to set the frequencies of frequency spots1, 2...201. The CORRection:SPOT<n> query returns the current frequency of specific frequency spot.

Command syntax: CORRection:SPOT<n>:FREQuency<value>

Where,

<value> can be NR1, NR2 or NR3 data format followed by HZ, KHZ and MHZ.

<n>:

Frequency spot 1~201

For example: WrtCmd ("CORR:SPOT1:FREQ 2KHZ") Set the frequency of frequency spot 1 as 2KHZ.

NOTE: <value> should be ranged from 20HZ to 200KHZ (TH2829AX), 20HZ to 300KHZ (TH2829A), 20HZ to 500KHZ (TH2829B/BX), 20HZ to 1MHZ (TH2829C/CX), or return format will report errors.

Query syntax: CORRection:SPOT<n>:FREQuency?

Return format: <NR3><NL^END>

The CORRection:SPOT<n>:OPEN command is used to execute open correction for specific frequency spots (frequency 1, frequency 2 ... frequency 201).

Command syntax: CORRection:SPOT<n>:OPEN

Where,

<n>:

Frequency spot 1~201

For example: WrtCmd ("CORR:SPOT1:OPEN") Execute open correction for frequency spot 1.

The CORRection:SPOT<n>:SHORt command is used to execute short correction for specific frequency spots (frequency 1, frequency 2 ... frequency 201).

Command syntax: CORRection:SPOT<n>:SHORt

Where,

<n>:

Frequency spot 1~201

For example: WrtCmd ("CORR:SPOT1:SHOR") Execute short correction for frequency spot 1.

The CORRection:SPOT<n>:LOAD:STANdard command is used to set the standard reference of specific frequency spots (frequency spot 1, frequency spot2 ... frequency spot 201 which are taking load correction). The CORRection:SPOT<n>:LOAD:STANdard query returns the current standard reference of specific frequency spot.

Command syntax: CORRection:SPOT<n>:LOAD:STANdard <REF. A><REF. B>

Where,

<n>:

Frequency spot 1~201

<REF. A> can be NR1, NR2 or NR3 data format and taken as the standard reference of the primary parameter.

<REF. B> can be NR1, NR2 or NR3 data format and taken as the standard reference of the secondary parameter.

For example: WrtCmd ("CORR:SPOT1:LOAD:STAN 100.7, 0.0002")

Query syntax: CORRection:SPOT<n>:LOAD:STANdard?

Return format: <NR3><NL^END>

The CORRection:USE:DATA? query returns the OPEN/SHORT/LOAD correction measurement data of specific frequency spot 1, 2 ... 201.

Command syntax: CORRection:USE:DATA?

Return format:

<open1 A>,<open1 B>,<short1 A>,<short1 B>,<load1 A>,<load1 B>,
<open2 A>,<open2 B>,<short2 A>,<short2 B>,<load2 A>,<load2 B>,

.....

<open201 A>,<open201 B>,<short201 A>,<short201 B>,<load201 A>,<load201 B>,

Where,

<open1/2/...../201 A> is NR3 data format and the primary open correction data at frequency spot 1/2/...../201.

<open1/2/...../201 B> is NR3 data format and the secondary open correction data at frequency spot 1/2/...../201.

<short 1/2/...../201 A> is NR3 data format and the primary short correction data at frequency spot 1/2/...../201.

<short 1/2/...../201 B> is NR3 data format and the secondary short correction data at frequency spot 1/2/...../201.

<load1/2/...../201 A> is NR3 data format and the primary load correction data at frequency spot 1/2/...../201.

<load1/2/...../201B> is NR3 data format and the secondary load correction data at frequency spot 1/2/...../201.

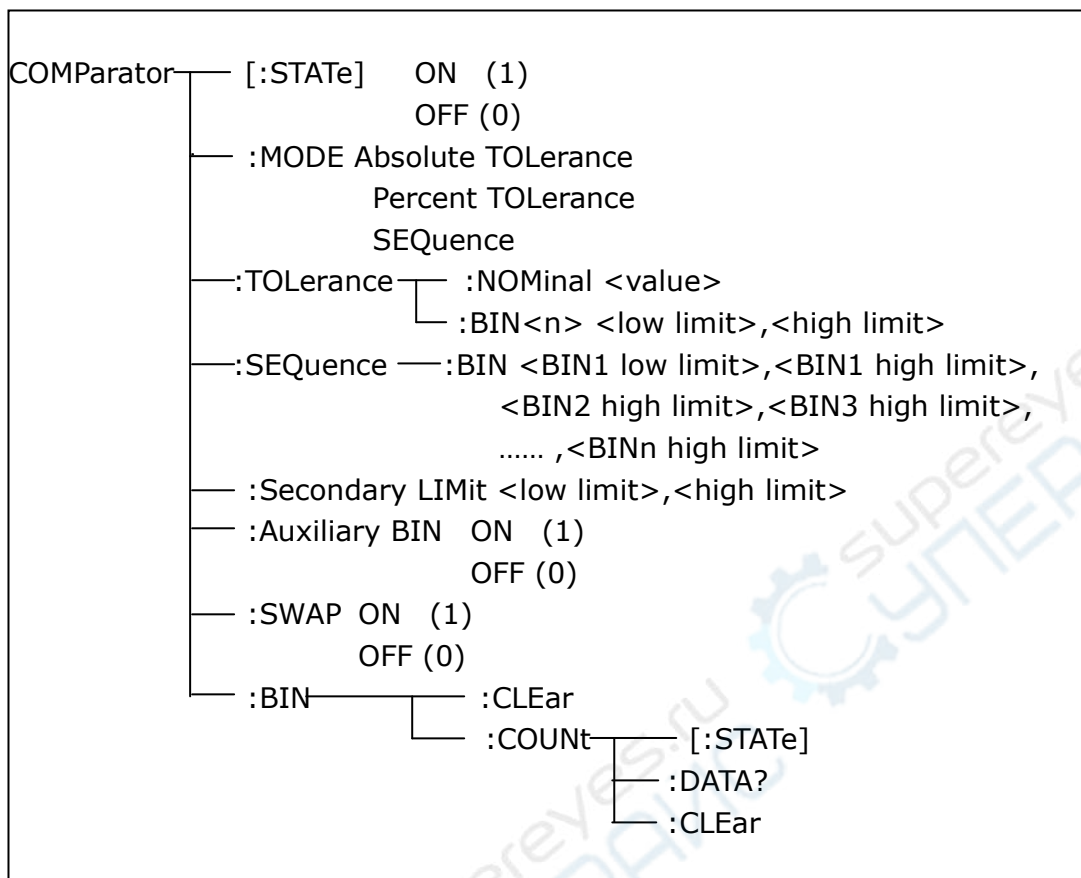
The CORRection:CLEar command is used to clear the correction data of all the correction points.

Command syntax: CORRection:CLEar

9.1.15 COMParator subsystem commands

The COMParator subsystem commands are used to set the bin comparator function including ON/OFF setting, Limit table setting.

Command tree:



The COMPArator[STATe] command is used to set the comparator function as ON or OFF. The COMPArator[STATe]? query returns the current comparator state.

Command syntax:

$$\text{COMPArator[:STATe]} \left\{ \begin{array}{l} \text{ON} \\ \text{OFF} \\ 1 \\ 0 \end{array} \right\}$$

Where,

1 (decimal 49) is equal to ON.

0 (decimal 48) is equal to OFF.

For example: WrtCmd ("COMP ON")

Query syntax: COMPArator[:STATe]?

Return format: <NR1><NL^END>.

The COMPArator:MODE command is used to set the comparator mode. The COMPArator:MODE? query returns the current mode.

Command syntax:

$$\text{COMPArator:MODE} \left\{ \begin{array}{l} \text{ATOLerance} \\ \text{PTOLerance} \\ \text{SEQUence} \end{array} \right\}$$

Where,

ATOLerance means absolute tolerance mode.

PTOLerance means proportional tolerance mode.

SEQuence means sequential tolerance mode.

For example: WrtCmd ("COM:MODE ATOL")

Query syntax: COMParator:MODE?

Return format: $\left. \begin{array}{l} \text{ATOL} \\ \text{PTOL} \\ \text{SEQ} \end{array} \right\} \langle \text{NL}^{\wedge} \text{END} \rangle$

The COMParator:TOLerance:NOMinal command is used to set the nominal value (this function is valid only when the limit mode is set as deviation mode). The COMParator:TOLerance:NOMinal? query returns the current nominal value.

Command syntax: COMParator:TOLerance:NOMinal<value>

Where,

<value> is a nominal value in NR1, NR2 or NR3 data format.

For example: WrtCmd ("COMP:TOL:NOM 100E-12")

Query syntax: COMParator:TOLerance:NOMinal?

Return format: <NR3><NL^END>

The COMParator:TOLerance:BIN<n> command is used to set the high and the low limits of each bin (this function is valid only when the limit mode is set as deviation mode). The COMParator:TOLerance:BIN<n>? query returns the current high and the low limits of each bin.

Command syntax: COMParatro:TOLerance:BIN<n><low limit><high limit>

Where,

<n> is the bin number from 1 to 9.

<low limit> is the low limit in NR1, NR2 or NR3 data format.

<high limit> is the high limit in NR1, NR2 or NR3 data format.

NOTE: The low limit should be smaller than the high limit, or error information will be reported.

For example: WrtCmd ("COMP:TOL:BIN1 -5,5")

WrtCmd ("COMP:TOL:BIN2 -10,10")

Query syntax: COMParator:TOLerance:BIN<n>?

Return format: <low limit><high limit><NL^END>

The COMParator:SEQuence:BIN command is used to set the high and the low limits of sequential mode (this function is valid only when the limit mode is set as the sequential mode.). The COMParator:SEQuence:BIN? query returns the current high and the low limits of each bin.

Command syntax: COMParator:SEQuence:BIN <BIN1 low limit>, <BIN 1 high

limit>, <BIN2 high limit>, ..., <BINn high limit>

Where,

<BIN1 low limit> is the low limit of BIN 1 in NR1, NR2 or NR3 data format.

<BIN1 high limit> is the high limit of BIN1 in NR1, NR2 or NR3 data format.

<BINn high limit> is the high limit of BINn (the maximum of n is 9) in NR1, NR2 or NR3 data format.

NOTE: The low limit should be smaller than the high limit, or error information will be reported.

For example: WrtCmd ("COMP:SEQ:BIN 10, 20, 30, 40, 50")

Query syntax: COMParator:SEQuence:BIN?

Return format: <BIN1 low limit>, <BIN1 high limit>, <BIN2 high limit>, ..., <BINn high limit><NL^END>

The COMParator:Secondary LIMit command is used to set the high and the low limits of the secondary parameter. The COMParator:Secondary LIMit query returns the current high and the low limits of the secondary parameter.

Command syntax: COMParator:SLIMit<low limit><high limit>

Where,

<low limit> is the low limit in NR1, NR2 or NR3 data format.

<high limit> is the high limit in NR1, NR2 or NR3 data format.

NOTE: The low limit should be smaller than the high limit, or error information will be reported.

For example: WrtCmd ("COMP:SLIM 0.001, 0.002")

Query syntax: COMParator:SLIMit?

Return format: <NR3>, <NR3><NL^END>

The COMParator:Auxiliary BIN command is used to set the auxiliary bin as ON or OFF. The COMParator:Auxiliary BIN? query returns the current auxiliary bin state.

Command syntax:

$$\text{COMParator:Auxiliary BIN} \left\{ \begin{array}{c} \text{ON} \\ \text{OFF} \\ 1 \\ 0 \end{array} \right\}$$

Where,

1 (decimal 49) is equal to ON.

0 (decimal 48) is equal to OFF.

For example: WrtCmd ("COMP:ABIN ON")

Query syntax: COMParator:Auxiliary BIN?

Return format: <NR1><NL^END>

The COMParator:SWAP command is used to set the swap mode ON or OFF. For

example: the original function parameter is Cp-D, after the SWAP mode is set as ON, the function parameter will be changed as D-Cp. In this case, the limits from BIN1 to BIN9 become the high and the low limits of D, the original secondary limits become that of Cp. That is to say, this function is to make swap comparison between the primary and the secondary parameters. On the contrary, If OFF is selected, the comparison will be made according to the original sequence. The COMPArator:SWAP? query returns the current state of the swap function.

Command syntax:

$$\text{COMPArator:SWAP} \left\{ \begin{array}{l} \text{ON} \\ \text{OFF} \\ 1 \\ 0 \end{array} \right\}$$

Where,

1 (decimal 49) is equal to ON.

0 (decimal 48) is equal to OFF.

For example: WrtCmd ("COMP:SWAP ON")

Query syntax: COMPArator:SWAP?

Return format: <NR1><NL^END>

The COMPArator:BIN:CLEAr command is used to clear all limits on limit table setup page.

Command syntax: COMPArator:BIN:CLEAr

For example: WrtCmd ("COMP:BIN:CLE")

The COMPArator:BIN:COUNT[:STATE] command is used to set the bin count function as ON or OFF. The COMPArator:BIN:COUNT[:STATE]? query returns the current state of the bin count function.

Command syntax:

$$\text{COMPArator:BIN:COUNT[:STATE]} \left\{ \begin{array}{l} \text{ON} \\ \text{OFF} \\ 1 \\ 0 \end{array} \right\}$$

Where,

1 (decimal 49) is equal to ON.

0 (decimal 48) is equal to OFF.

For example: WrtCmd ("COMP:BIN:COUN ON")

Query syntax: COMPArator:BIN:COUNT[STATE]?

Return format: <NR1><NL^END>

The COMPArator:BIN:COUNT:DATA? query returns the current comparison result of the bin count.

Query syntax: COMPArator:BIN:COUNT:DATA?

Return format: <BIN1 count>, <BIN2 count>, ..., <BIN9 count>, <OUT OF BIN count>, <AUX BIN count><NL^END>

Where,

<BIN1-9 count> is the count result of BIN1-9, in NR1 data format.

<OUT OF BIN count> is the count result of the OUT OF BIN, in NR1 data format.

<AUX BIN count> is the count result of the auxiliary bin, in NR1 data format.

The COMPArator:BIN:COUNT:CLEAr command is used to clear all bin count results.

Command syntax: COMPArator:BIN:COUNT:CLEAr

For example: WrtCmd ("COMP:BIN:COUN:CLE")

9.1.16 Mass MEMory subsystem commands

The Mass MEMory subsystem commands are used for file storing and load.

Command tree:

Mass MEMory	├	:LOAD	—	:STATe <record number>
	└	:STORE	—	:STATe <record number>, "<string>"

The MMEMory:LOAD:STATe command is used to load the existed file.

Command syntax: MMEMory:LOAD:STATe<value>

Where,

<value> is the file number ranging from 0 to 39 (NR1).

For example: WrtCmd ("MMEM:LOAD:STAT 1")

The MMEMory:STORE:STATe command is used to storing the current setting to a file.

Command syntax: MMEMory:STOR:STATe<value>, "<string>"

Where,

<value> is the file number ranging from 0 to 39 (NR1).

<string> can be ASCII character string (maximum length is 16).

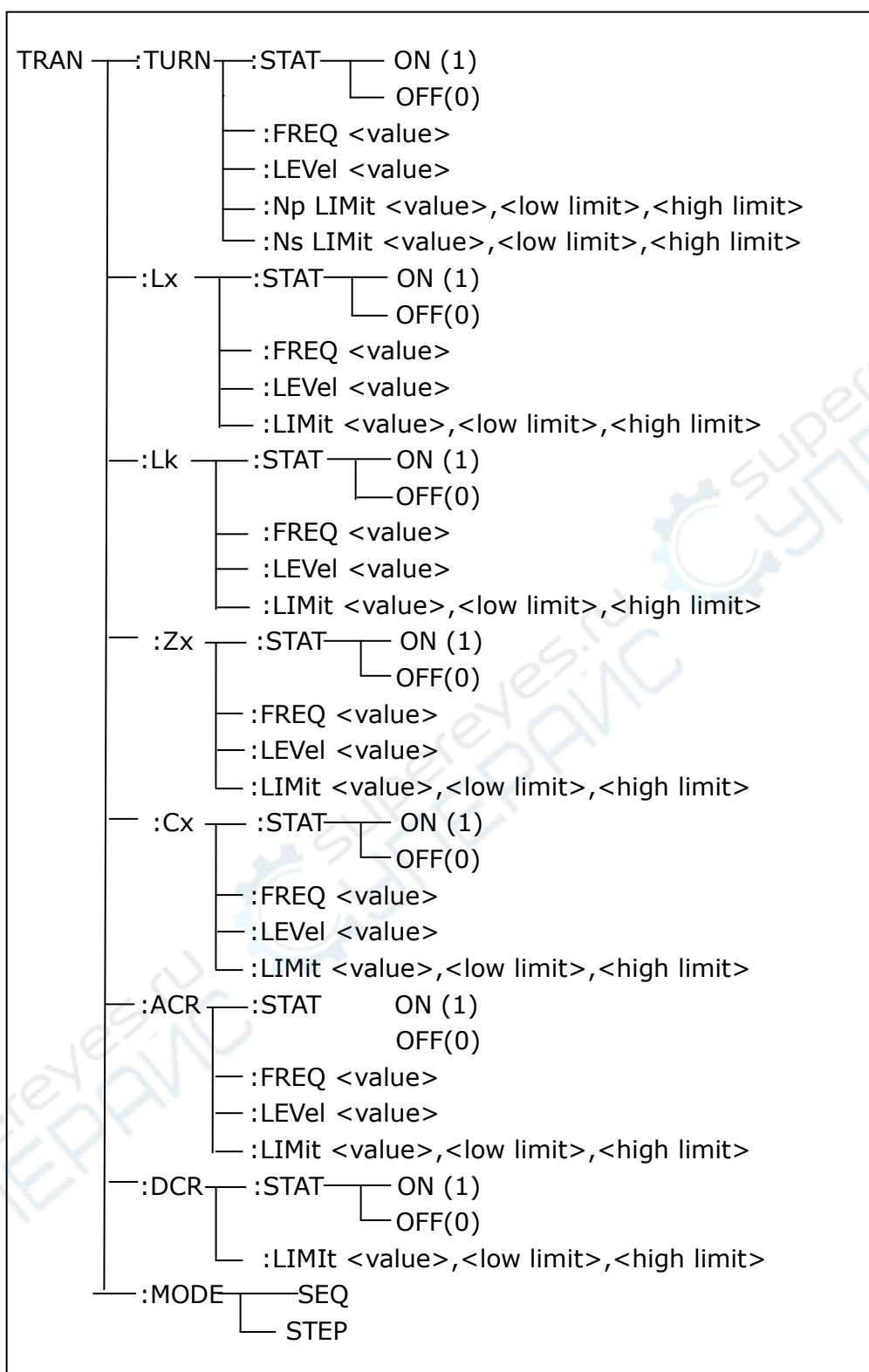
For example: WrtCmd ("MMEM:STOR:STAT 1, "Resistor meas")

or WrtCmd ("MMEM:STOR:STAT 1"), IF "<string>" has not been input, the default file name will be stored.

9.1.17 TRAN subsystem commands

The TRAN subsystem commands are mainly used to transformer parameters, such as turn-ratio, primary inductance, leakage inductance, stray capacitance, impedance, AC impedance, DC resistance, working mode and limits of each parameter.

Command tree:



The TRAN:TURN:STAT command is used to set the turn-ration ON or OFF. The TRAN:TURN:STAT? query returns the current state of the turn-ratio.

Command syntax:

$$\text{TRAN:TURN:STAT} \left\{ \begin{array}{l} \text{ON} \\ \text{OFF} \\ 1 \\ 0 \end{array} \right\}$$

Where,

1 (decimal 49) is equal to ON.

0 (decimal 48) is equal to OFF.

For example: WrtCmd ("TRAN:TURN:STAT:ON") All test parameter setting of turn-ratio is valid.

Query syntax: TRAN:TURN:STAT?

Return format: <NR1><NL^END>

The TRAN:TURN:FREQ command is used to set the test frequency of turn-ratio.

The TRAN:TURN:FREQ? query returns the current test frequency of turn-ratio.

Command syntax: TRAN:TURN:FREQ <value>

Where,

<value> can be NR1, NR2 or NR3 data format followed by HZ, KHZ, and MHZ.

For example: WrtCmd ("TRAN:TURN:FREQ 1KHZ") Set the test frequency of turn-ratio as 1KHZ.

Query syntax: TRAN:TURN:FREQ?

Return format: <NR3><NL^END>

The TRAN:TURN:LEVel command is used to set the test level of the turn-ratio.

The TRAN:TURN:LEVel query returns the current test level of the turn-ratio.

Command syntax: TRAN:TURN:LEVel<value>

Where,

<value> can be NR1, NR2 or NR3 data format followed by mV or V.

NOTE: <value> ranges from 5mV to 10V. Beyond this range, error information will be reported.

For example: WrtCmd ("TRAN:TURN:LEVel 1V")

Query syntax: TRAN:TURN:LEVel?

Return format: <NR3><NL^END>

The TRAN:TURN: LImit command is used to set the primary nominal value, secondary nominal value, high and low limits of secondary turn. The TRAN:TURN:LImit query returns the current primary nominal value, secondary nominal value, high and low limits of secondary turn.

Command syntax: TRAN:TURN:LIMit <Np value>,<Ns value>,<Ns low limit>,<Ns high limit>

Where,

<Np value> is the primary nominal value in NR1, NR2 or NR3 data format.
 <Ns value> is the secondary nominal value in NR1, NR2 or NR3 data format.
 <Ns low limit> is the secondary low limit in NR1, NR2 or NR3 data format.
 <Ns high limit> is the secondary high limit in NR1, NR2 or NR3 data format.

NOTE: The low limit should be smaller than the high limit, or error information will be reported.

For example: WrtCmd ("TRAN:TURN:LIMit 10, 100, -0.01, 0.01")

Query syntax: TRAN:TURN:LIMit?

Return format: <NR3>, <NR3>, <NR3>, <NR3><NL^END>

The TRAN:Lk:STAT command is used to set the leakage inductance test parameter ON or OFF. The TRAN:Lk:STAT? query returns the current leakage inductance state.

Command syntax:

$$\text{TRAN:Lk:STAT} \left\{ \begin{array}{c} \text{ON} \\ \text{OFF} \\ 1 \\ 0 \end{array} \right\}$$

Where,

1 (decimal 49) is equal to ON.

0 (decimal 48) is equal to OFF.

For example: WrtCmd ("TRAN:Lk:STAT:ON") Set all leakage inductance test parameters to be valid.

Query syntax: TRAN:Lk:STAT?

Return format: <NR1><NL^END>

The TRAN:Lk:FREQ command is used to set the test frequency of the leakage inductance. The TRAN:Lk:FREQ query returns the current test frequency of the leakage inductance.

Command syntax: TRAN:Lk:FREQ<value>

Where,

<value> is NR1, NR2 or NR3 data format followed by HZ, KHZ and MHZ.

For example: WrtCmd ("TRAN:Lk:FREQ 1KHZ") Set the test frequency of the leakage inductance is 1KHZ.

Query syntax: TRAN:Lk:FREQ?

Return format: <NR3><NL^END>

The TRAN:Lk:LEVEL command is used to set the test level of the leakage inductance. The TRAN:Lk:LEVEL query returns the current test level of the leakage inductance.

Command syntax: TRAN:Lk:LEVel<value>

Where,

<value> is NR1, NR2 or NR3 data format followed by mV or V.

Note: <value> ranges from 5mV to 2V. Beyond this range, error information will be reported.

For example: WrtCmd ("TRAN:Lk:LEVel 1V")

Query syntax: TRAN:Lk:LEVel?

Return format: <NR3><NL^END>

The TRAN:Lk:LIMit command is used to set the Lk nominal value, high and low limits. The TRAN:Lk:LIMit? query returns the current Lk nominal value, high and low limits.

Command syntax: TRAN:Lk:LIMit <value>, <low limit>, <high limit>

Where,

<value> is the Lk nominal value in NR1, NR2 or NR3 data format followed by H.

<low limit> is the Lk low limit in NR1, NR2 or NR3 data format.

<high limit> is the Lk high limit in NR1, NR2 or NR3 data format.

NOTE: The low limit should be smaller than the high limit, or error information will be reported.

For example: WrtCmd ("TRAN:Lk:LIMit 0.01H, -0.01H, 0.01")

Query syntax: TRAN:Lk:LIMit?

Return format: <NR3>,<NR3><NR3><NL^END>

The TRAN:Lx:STAT command is used to set the primary Lx ON or OFF. The TRAN:Lx:STAT? query returns the current state of the primary Lx.

Command syntax:

TRAN:Lx:STAT $\left\{ \begin{array}{l} \text{ON} \\ \text{OFF} \\ 1 \\ 0 \end{array} \right\}$

Where,

1 (decimal 49) is equal to ON.

0 (decimal 48) is equal to OFF.

For example: WrtCmd ("TRAN:Lx:STAT:ON") Set all Lx parameters to be valid.

Query syntax: TRAN:Lx:STAT?

Return format: <NR1><NL^END>

The TRAN:Lx:FREQ command is used to set the Lx test frequency. The TRAN:Lx;FREQ query returns the current Lx test frequency.

Command syntax: TRAN:Lx:FREQ <value>

Where,

<value> is NR1, NR2 or NR3 data format followed by HZ, KHZ and MHZ.
 For example: WrtCmd ("TRAN:Lx:FREQ 1KHZ") Set the Lx test frequency as 1KHZ.

Query syntax: TRAN:Lx:FREQ?
 Return format: <NR3><NL^END>

The TRAN:Lx:LEVel command is used to set the Lx test level. The TRAN:Lx:LEVel query returns the current Lx test level.

Command syntax: TRAN:Lx:LEVel<value>

Where,

<value> can be NR1, NR2 or NR3 data format followed by mV or V.

NOTE: <value> ranges from 5mV to 2V. Beyond this range, error information will be reported.

For example: WrtCmd ("TRAN:Lx:LEVel 1V")

Query syntax: TRAN:Lx:LEVel?
 Return format: <NR3><NL^END>

The TRAN:Lx:LIMit command is used to set the Lx nominal value, high and low limits. The TRAN:Lx:LIMit query returns the current nominal value, high and low limits.

Command syntax: TRAN:Lx:LIMIit <value>, <low limit>, <high limit>

Where,

<value> is the Lx nominal value in NR1, NR2 or NR3 data format followed by H.

<low limit> is the Lx low limit in NR1, NR2 or NR3 data format.

<high limit> is the Lx high limit in NR1, NR2 or NR3 data format.

NOTE: The low limit should be smaller than the high limit, or error information will be reported.

For example: WrtCmd ("TRAN:Lx:LIMIit 0.01H, -0.01, 0.01")

Query syntax: TRAN:Lx:LIMit?
 Return format: <NR3>,<NR3><NR3><NL^END>

The TRAN:Zx:STAT command is used to set the Zx test parameter as ON or OFF. The TRAN:Zx:STAT? query returns the current state of the Zx test parameter.

Command syntax:

$$\text{TRAN:Zx:STAT} \left\{ \begin{array}{l} \text{ON} \\ \text{OFF} \\ 1 \\ 0 \end{array} \right\}$$

Where,

1 (decimal 49) is equal to ON.

0 (decimal 48) is equal to OFF.

For example: WrtCmd ("TRAN:Zx:STAT:ON") Set all Zx test parameters to be valid.

Query syntax: TRAN:Zx:STAT?

Return format: <NR1><NL^END>

The TRAN:Zx:FREQ command is used to set the Zx test frequency. The TRAN:Zx:FREQ query returns the current Zx test frequency.

Command syntax: TRAN:Zx:FREQ<value>

Where,

<value> is NR1, NR2 or NR3 data format followed by HZ, KHZ or MHZ.

For example: WrtCmd ("TRAN:Zx:FREQ 1KHZ") Set the Zx frequency as 1KHZ.

Query syntax: TRAN:Zx:FREQ?

Return format: <NR3><NL^END>

The TRAN:Zx:LEVel command is used to set the Zx test level. The TRAN:Zx:LEVel query returns the current Zx test level.

Command syntax: TRAN:Zx:LEVel<value>

Where,

<value> can be NR1, NR2 or NR3 data format followed by mV or V.

NOTE: <value> ranges from 5mV to 2V. Beyond this range, error information will be reported.

For example: WrtCmd ("TRAN:Zx:LEVel 1V")

Query syntax: TRAN:Zx:LEVel?

Return format: <NR3><NL^END>

The TRAN:ACR:STAT command is used to set the ACR test parameter to be ON or OFF. The TRAN:ACR:STAT query returns the current state of the ACR test parameter.

Command syntax:

$$\text{TRAN:ACR:STAT} \left\{ \begin{array}{l} \text{ON} \\ \text{OFF} \\ 1 \\ 0 \end{array} \right\}$$

Where,

1 (decimal 49) is equal to ON.

0 (decimal 48) is equal to OFF.

For example: WrtCmd ("TRAN:ACR:STAT:ON") Set the ACR test parameter to be valid.

Query syntax: TRAN:ACR:STAT?

Return format: <NR1><NL^END>

The TRAN:ACR:FREQ command is used to set the ACR test frequency. The TRAN:ACR:FREQ? query returns the current ACR test frequency.

Command syntax: TRAN:ACR:FREQ<value>

Where,

<value> is NR1, NR2 or NR3 data format followed by HZ, KHZ, or MHZ.

For example: WrtCmd ("TRAN:ACR:FREQ 1KHZ") Set the ACR test frequency as 1KHZ.

Query syntax: TRAN:ACR:FREQ?

Return format: <NR3><NL^END>

The TRAN:ACR:LEVel command is used to set the ACR test level. The TRAN:ACR:LEVel query returns the current ACR level.

Command syntax: TRAN:ACR:LEVel<value>

Where,

<value> is NR1, NR2 or NR3 data format followed by mV or V.

NOTE: <value> ranges from 5mV to 2V. Beyond this range, error information will be reported.

For example: WrtCmd ("TRAN:ACR:LEVEL 1V") Set the ACR test level as 1V.

Query syntax: TRAN:ACR:LEVel?

Return format: <NR3><NL^END>

The TRAN:Cx:STAT command is used to set the Cx test parameter to be ON or OFF. The TRAN:Cx:STAT query returns the current state of the Cx test parameter.

Command syntax:

$$\text{TRAN:Cx:STAT} \left\{ \begin{array}{l} \text{ON} \\ \text{OFF} \\ 1 \\ 0 \end{array} \right\}$$

Where,

1 (decimal 49) is equal to ON.

0 (decimal 48) is equal to OFF.

For example: WrtCmd ("TRAN:Cx:STAT:ON") Set the Cx test parameter to be valid.

Query syntax: TRAN:Cx:STAT?

Return format: <NR1><NL^END>

The TRAN:Cx:FREQ command is used to set the Cx test frequency. The TRAN:Cx:FREQ? query returns the current Cx test frequency.

Command syntax: TRAN:Cx:FREQ <value>

Where,

<value> is NR1, NR2 or NR3 data format followed by HZ, KHZ and MHZ.
 For example: WrtCmd ("TRAN:Cx:FREQ 1KHZ") Set the Cx test frequency as 1KHZ.

Query syntax: TRAN:Cx:FREQ?
 Return format: <NR3><NL^END>

The TRAN:Cx:LEVel command is used to set the Cx test level. The TRAN:Cx:LEVel? query returns the current Cx test level.

Command syntax: TRAN:Cx:LEVel <value>

Where,

<value> is NR1, NR2 or NR3 data format followed by mV or V.

NOTE: <value> ranges from 5mV to 2V. Beyond this range, error information will be reported.

For example: WrtCmd ("TRAN:Cx:LEVel 1V")

Query syntax: TRAN:Cx:LEVel?
 Return format: <NR3><NL^END>

The TRAN:Cx:LIMit command is used to set the Cx nominal value, high and low limits. The TRAN:Cx:LIMit? query returns the current Cx nominal value, high and low limits.

Command syntax: TRAN:Cx:LIMit <value>,<low limit>,<high limit>

Where,

<value> is the Cx nominal value in NR1, NR2 or NR3 data format followed by H.

<low limit> is the low limit in NR1, NR2 or NR3 data format.

<high limit> is the high limit in NR1, NR2 or NR3 data format.

NOTE: The low limit should be smaller than the high limit, or error information will be reported.

For example: WrtCmd ("TRAN:Cx:LIMit 0.01H, -0.01, 0.01")

Query syntax: TRAN:Cx:LIMit?
 Return format: <NR3>,<NR3><NR3><NL^END>

The TRAN:DCR:STAT command is used to set the DCR test parameter to be ON or OFF. The TRAN:DCR:STAT? query returns the current state of the DCR test parameter.

Command syntax:

TRAN:DCR:STAT $\left\{ \begin{array}{l} \text{ON} \\ \text{OFF} \\ 1 \\ 0 \end{array} \right\}$

Where,

1 (decimal 49) is equal to ON.

0 (decimal 48) is equal to OFF.

For example: WrtCmd ("TRAN:DCR:STAT:ON")

Query syntax: TRAN:DCR:STAT?

Return format: <NR1><NL^END>

The TRAN:DCR:LIMit command is used to set the DCR nominal value, high and low limit. The TRAN:DCR:LIMit? query returns the current DCR nominal value, high and low limits.

Command syntax: TRAN:DCR:LIMit <value>,<low limit>,<high limit>

Where,

<value> is the DCR nominal value in NR1, NR2 or NR3 data format followed by Ω .

<low limit> is the DCR low limit in NR1, NR2 or NR3 data format.

<high limit> is the DCR high limit in NR1, NR2 or NR3 data format

NOTE: The low limit should be smaller than the high limit, or error information will be reported.

For example: WrtCmd("TRAN:DCR:LIMIT 50 Ω , -0.01, 0.01")

Query syntax: TRAN:DCR:LIMI?

Return format: <NR3>,<NR3><NR3><NL^END>

The TRAN:MODE is used to set the transformer working mode. The TRAN:MODE? query returns the current working mode of the transformer.

Command syntax:

TRAN:MODE { SEQUENCE
 STEPped }

Where,

SEQUence refers to sequential mode.

STEPped refers to single step mode.

For example: WrtCmd ("TRAN:MODE SEQ")

Query syntax: TRAN:MODE?

Return format: { SEQ
 <NL^END>
 STEP }

9.2 GPIB Common Commands

- *RST ● *TRG ● *IDN ● *TST
- *ESE ● *SRE ● *ESR ● *STB
- *OPC ● *CLS
- The *RST command resets the instrument.
For example: WrtCmd ("*RST")
- The *TRG command triggers the measurement and then sends the result to

the output buffer.

For example: WrtCmd ("*TRG")

- The *CLS command clears the standard event status register and the service request status register.

Command syntax: *CLS

For example: WrtCmd ("*CLS")

- The *IDN? query returns TH2829X ID.

Query syntax: *IDN?

Return format:

<manufacturer>,<model>,<firmware>,<hardware>,<date><NL^END>

Where,

<manufacturer> Name of Manufacturer (Tonghui)

<model> Instrument Model (TH2829AX)

<firmware> Firmware Version (VER1.0.0)

<hardware> Hardware version (Hardware Ver A5.0_L)

<date> Date of the software version (2016-01-11)

For example: WrtCmd ("*IDN?");

- The *TST? query executes an internal self test and returns the test result as the sum of all existing errors codes. If there are no error TH2829X returns 0.

Query syntax: *TST?

Return format: 0<NL^END>

Where,

0 0 (NR1 format)

For example: WrtCmd ("*TST?");

- The *ESE (standard Event Status Enable command) command sets each open bit of the standard event status register. This command returns setups of each open bit for the standard event status permission register.

Command syntax: *ESE<value>

Where,

<value> NR1 format: decimal expression for each bit of operation status register.

Descriptions for each byte of the standard event status register are shown as follows:

Bit number	Description
7	Power On(PON) Bit
6	User Request(URQ) Bit
5	Command Error(EME) Bit
4	Execution Error(EXE) Bit
3	Device Dependent Error(DDE) Bit
2	Query Error(QYE) Bit
1	Request Control(RQC) Bit
0	Operation Complete(OPC) Bit

Query syntax: *ESE?

Return format: <value><NL^END>

For example: WrtCmd ("*ESE?")

- The *SRE (Service Request Enable command) command sets each open bit of the service status byte register. This command returns the current setups for each open bit of the status byte permission register.

Command syntax: *SRE<value>

Where,

<value> NR1 format: decimal expression for each permission bit of the status byte register.

Descriptions for each byte of the status byte register are shown as follows:

Bit number	Description
7	Operation Status Register Summary Bit
6	RQS(Request Service) Bit
5	Standard Event Status Register Summary Bit
4	MAV(Message Available) Bit
3-0	Always 0(zero):

Query syntax: *SRE?

Return format: <value><NL^END>

For example: WrtCmd ("*SRE?");

- The *ESR? query returns the contents of the standard event status register.

Query syntax: *ESR?

Return format: <value><NL^END>

Where,

<value> NR1 format: decimal expression for contents of the standard event status register.

Descriptions for each bit of the standard event status register

Bit number	Description
7	Power On(PON) Bit
6	User Request(URQ) Bit
5	Command Error(EME) Bit
4	Execution Error(EXE) Bit
3	Device Dependent Error(DDE) Bit
2	Query Error(QYE) Bit
1	Request Control(RQC) Bit
0	Operation Complete(OPC) Bit

For example: WrtCmd ("*ESR?")

- The *STB? query returns contents of the standard service status byte register. The execution of this command will not affect contents of the standard status byte register.

Query syntax: *STB?

Return format: <value><NL^END>

Where,

<value> NR1 format: decimal expression for contents of the standard status byte register.

Descriptions for each bit of the standard status byte register

Bit number	Description
7	Operation Status Register Summary Bit
6	RQS(Request Service) Bit
5	Standard Event Status Register Summary Bit
4	MAV(Message Available) Bit
3-0	Always 0(zero)

For example: WrtCmd ("*STB?")

- The *OPC command equals to set the OPC bit of the standard event status register when TH2829X finishes all parameter measurements. Ever since all pending operations have been completed, this command will inform the instrument to add a ASCII number "1" (decimal number: 49) into the output buffer.

Command syntax: *OPC

For example: OUTPUT 717;"*OPC"! Set the OPC bit of the instrument when the last command is done.

Query syntax: *OPC?

Return format: 1 <NL^END>

Where,

1 ASCII number 1 (decimal number: 49)

For example: WrtCmd ("*OPC?")

Chapter 10 Description for Handler

The TH2829 provides the Handler interface for you. The interface is mainly used for the output of the sorted result. The interface offers the communication signal and the signal for the output of the sorted result. The separator result is corresponding to the output of BIN 10. The design for the Handler interface is very smart with the status of the output signal can be defined according to your application target.

10.1 Technology description

Table 1 shows the description for TH2829 HANDLER.

Table 1 the HANDLER description

<p>The output signal: low effective, open collector output, optoelectronic isolation Output signal judgment: BIN comparator: good, over the standard, not good List sweep comparator: IN/OUT for every sweep point and pass/fail for all the compared result. INDEX: simulation test ended EOC: end of one test and comparison Alarm: alarm for circuit interruption The input signal: optoelectronic isolation Keylock: lock the keys on the front panel External Trigger: pulsewidth$\geq 1\mu\text{S}$</p>

10.2 Operation description

The definition for the signal line

The Handler interface has 3 signal: comparison output, control output and control input. The signal line's definition for the BIN comparison and list sweep comparison is below:

Comparison signal lines:

- Comparison output signal
/BIN1 - /BIN9, /AUX , /OUT, /PHI (the main parameter is higher), /PLO(the main parameter is lower), /SREJ (the secondary parameter is not good). The signal line distribution for comparison out is shown in figure 1.

- Control output signal
/INDEX(analog test finished signal), /EOM(test ended and the compared data effective), /ALARM(the circuit interruption)
- Control input signal
/EXT.TRIG(external trigger signal) , /Keylock(the key lock).

The signal distribution for the pins is described in table 2 and figure 2.

Table 2 The signal distribution for the pins

pin	signal name	description
1	/BIN1	BIN sorted result /BIN(BIN number) output are all open collector output.
2	/BIN2	
3	/BIN3	
4	/BIN4	
5	/BIN5	
6	/BIN6	
7	/BIN7	
8	/BIN8	
9	/BIN9	
10	/OUT	
11	/AUX	
12	/EXT.TRIG	External trigger: when the trigger mode is EXT.TRIG, TH2829 will be triggered by the positive-edge in this pin.
13		
14	EXT.DCV2	External DC voltage 2: The DC provider pin for the optoelectronic coupling signal(/EXT_TRIG, /KeyLock, /ALARM, /INDEX, /EOM)
15		
16	+5V	The internal power +5V: to use the internal power is not recommended. If you use the internal power, please ensure that the current is lower than 0.3A and the signal line is far from the disturbance source.
17		
18		
19	/PHI	The main parameter is higher: the test result is greater than the high limit in BIN1 to BIN9.
20	/PLO	The main parameter is lower: the test result is less than the low limit in BIN1 to BIN9.

21	/SREJ	The secondary parameter is not good: the test result is not in the range of the high limit and the low limit.
22 23 24		Please do not connect.
25	/KEY LOCK	When this signal is effective, the keys in the front panel are locked.
27 28	EXT.DCV1	The external DC voltage 1: the pull-up DC power provider pin for optoelectronic coupling signal(/BIN-/BIN9,/AUX,/OUT,/PHI,/PLO,/SREJ).
29	/ALARM	When circuit is interrupted, /ALARM is effective.
30	/INDEX	When the analog test is finished and the UNKNOWN terminal can be connected to another DUT, /INDEX is effective. But the comparison signal is effective until /EOM is effective.
31	/EOM	End Of Measurement: when the test data and the compared result are effective, this signal is effective.
32,33	COM2	The reference ground for external power EXTV2.
34,35,36	COM1	The reference ground for external power EXTV1.

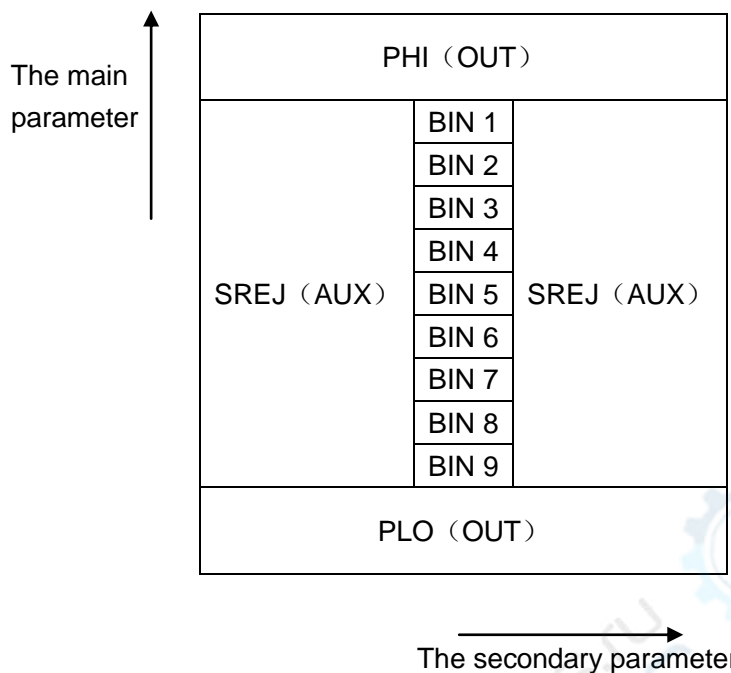
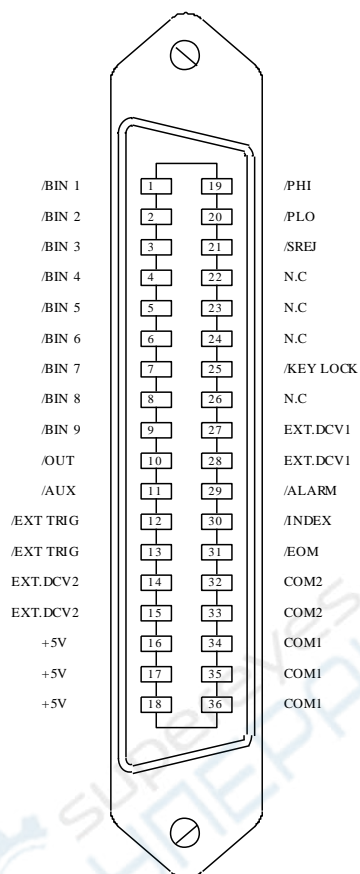


Figure 1 the /PHI, /PLO, /SREJ signal distribution for BIN comparison



Note: the signal to /BIN1 - /BIN9, /OUT, /AUX, /PHI, /PLO and /SREJ in the list sweep comparison is different from that in the BIN comparison.

Figure 2 the pin definition for HANDLER

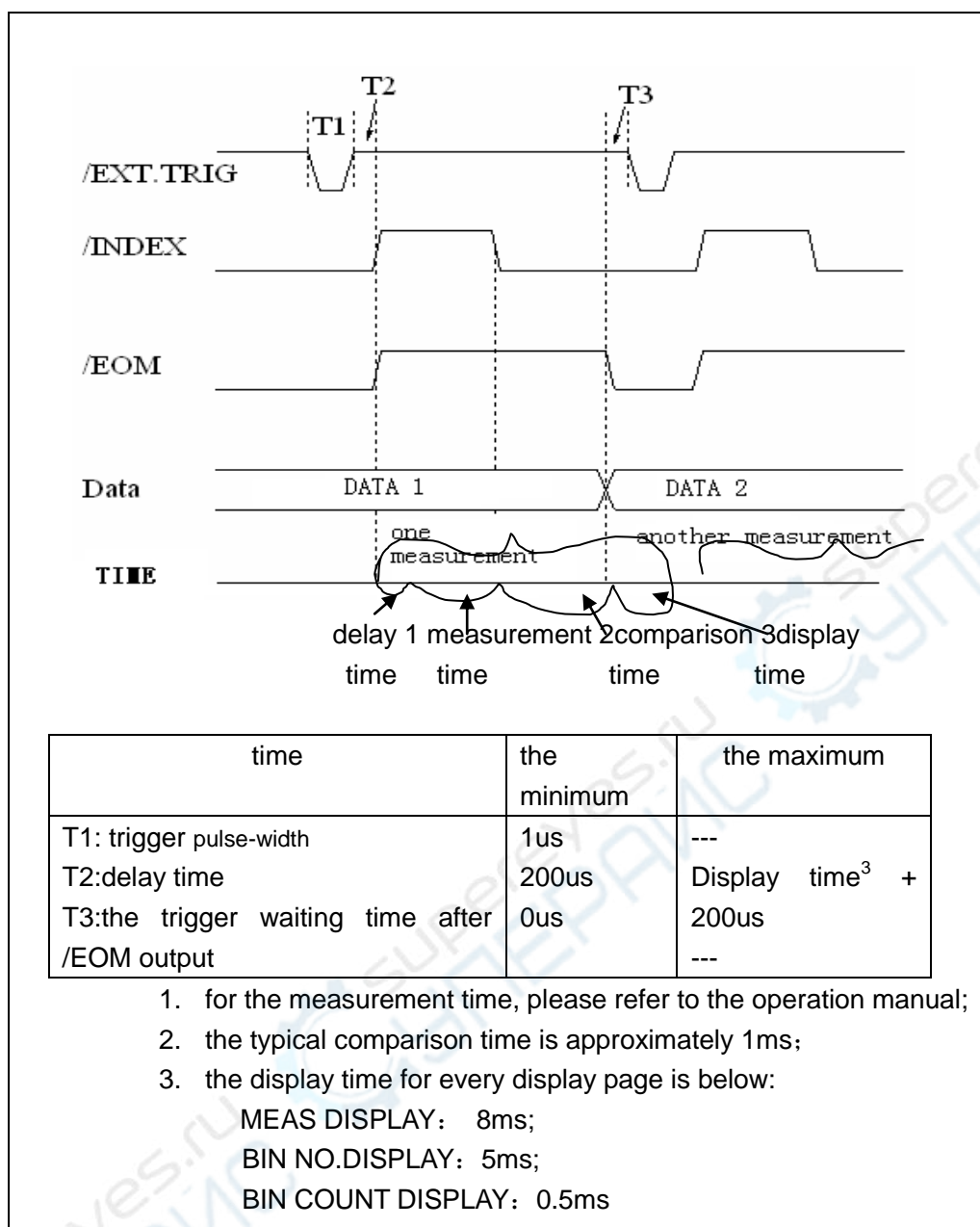


Figure 3 the timing chart

List sweep comparison signal line

The definition for list sweep comparison is different from that for the BIN comparison.

- Comparison output signal
 /BIN-/BIN9 and /OUT show the IN/OUT (good or over the standard) judgment (figure 4). /AUX shows PASS/FAIL judgement.
 When a sweep test is finished, these signal will be the output signal.
- Control
 /INDEX(analog test finished), /EOM(the test ended).
 The timing is below when /INDEX and /EOM are effective:

SEQ sweep mode:

/INDEX is defined as the effective signal when the last sweep point of the analog test is finished.

/EOM is defined as the effective signal when all the test results are effective after every list sweep task is finished.

STEP sweep mode:

/INDEX is defined as the effective signal when the analog test of every sweep point is finished.

/EOM is defined as the effective signal when the test and the comparison of every step are finished.

The pin distribution for list sweep is shown in table 3 and figure 2. (the pin definition for the list sweep comparison is the same to that for the BIN comparison). The timing chart is shown in figure 5.

Table 3 the pin distribute for the list sweep comparison

pin	signal	description
1	/BIN1	out of the limit of sweep point1
2	/BIN2	out of the limit of sweep point2
3	/BIN3	out of the limit of sweep point3
4	/BIN4	out of the limit of sweep point4
5	/BIN5	out of the limit of sweep point5
6	/BIN6	out of the limit of sweep point6
7	/BIN7	out of the limit of sweep point7
8	/BIN8	out of the limit of sweep point8
9	/BIN9	out of the limit of sweep point9
10	/OUT	out of the limit of sweep point10
11	/AUX	/AUX is defined as the effective signal when at least one is not good in the list.
30	/INDEX	SEQ: When the analog test of the last sweep point is finished and the UNKNOWN terminal can be connected to another DUT, /INDEX is effective. But the comparison signal is effective until /EOM is effective. STEP: When the analog test of the last sweep point is finished, /INDEX is effective. But the comparison signal is effective until /EOM is effective.
31	/EOM	Test ended: SEQ: when the test is finished and the compared results are effective, this signal is effective. STEP: When the test of every sweep point is finished, /EOM is

		finished. the comparison result signal is effective until /EOM is effective.
others		The definition is the same to that of the comparison.

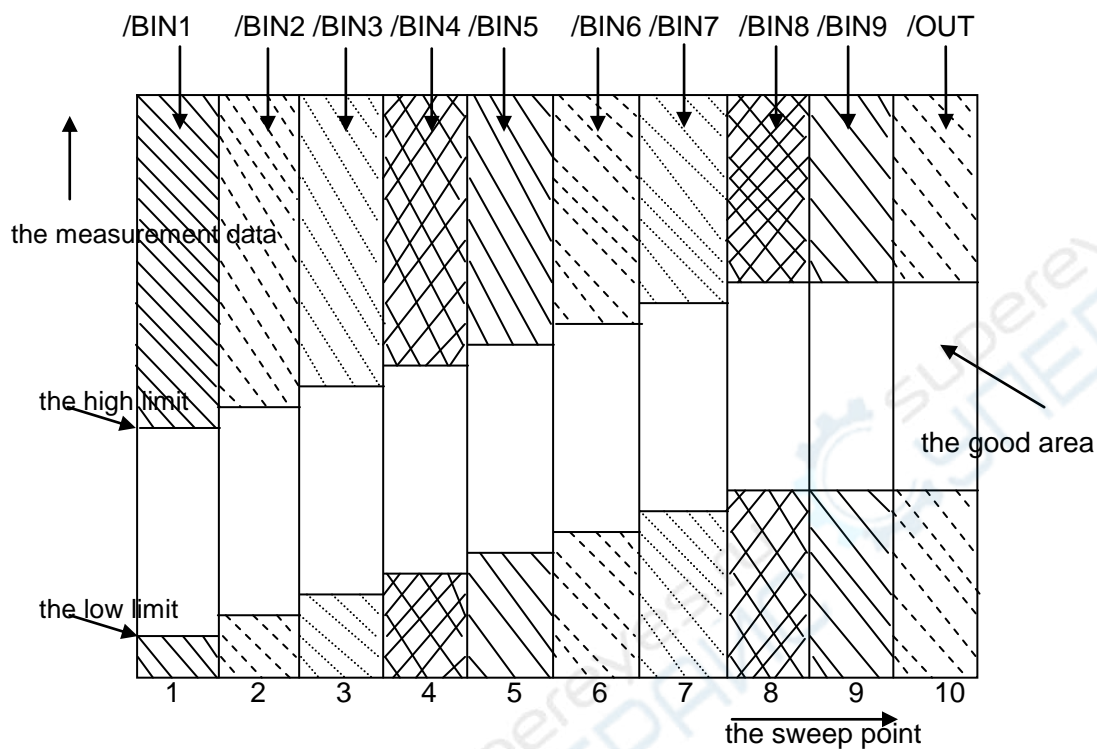


Figure 4 the signal area of the list sweep comparison

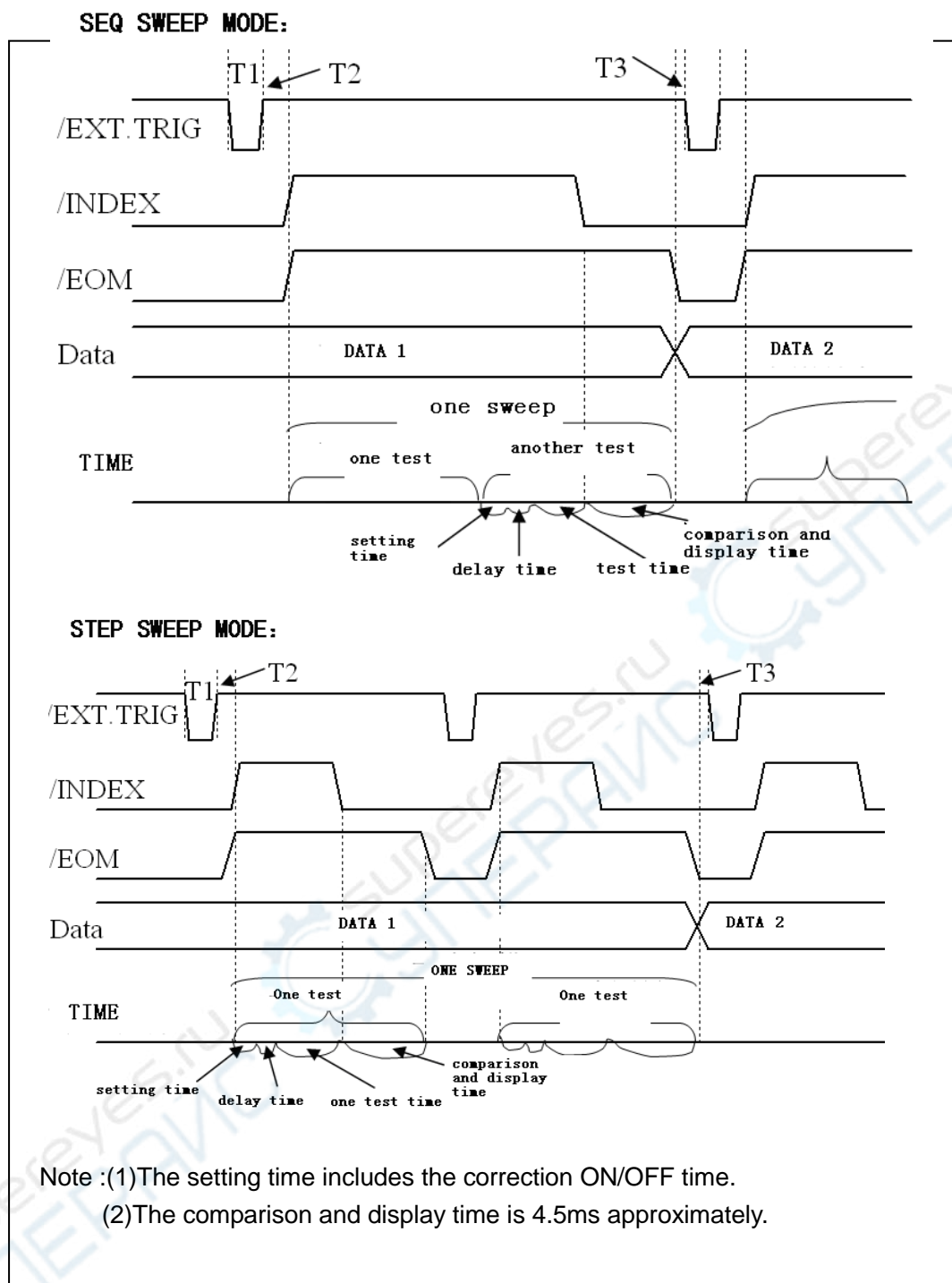


Figure 5 the time counting

Electrical feature

As it is shown above, the signal definition for the comparison and the list sweep comparison are different. But the electrical feature is same. So the description can be applied to BIN comparison and list sweep comparison.

DC isolation output: the DC isolation output (pin1 to pin16) generates the isolation by the optoelectronic coupler with the collector open. The output voltage on every line is set by the pull-up resistance on the HANDLER interface board. The pull-up resistance is connected to the internal voltage (+5v). or the external

voltage(EXTV: +5v).

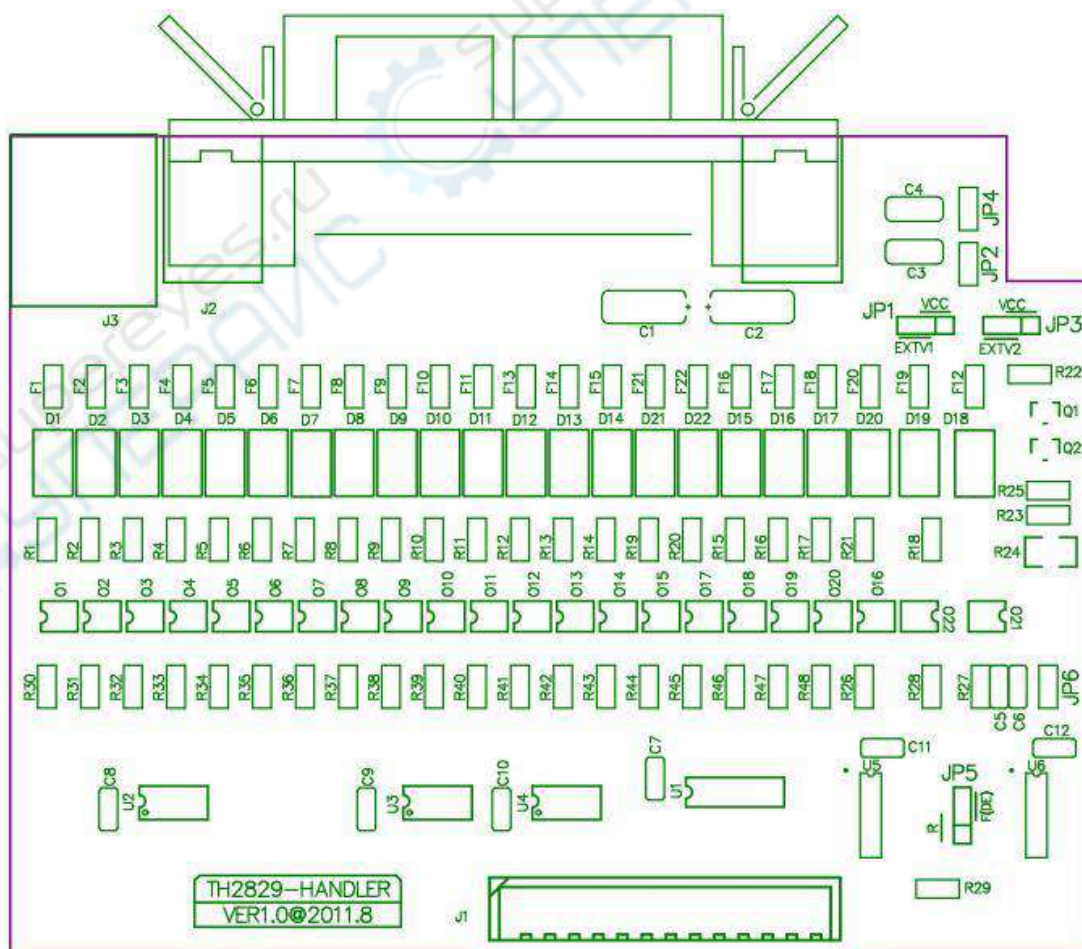
The electrical feature of the DC isolation output can be divided into 2 types shown in Table 4.

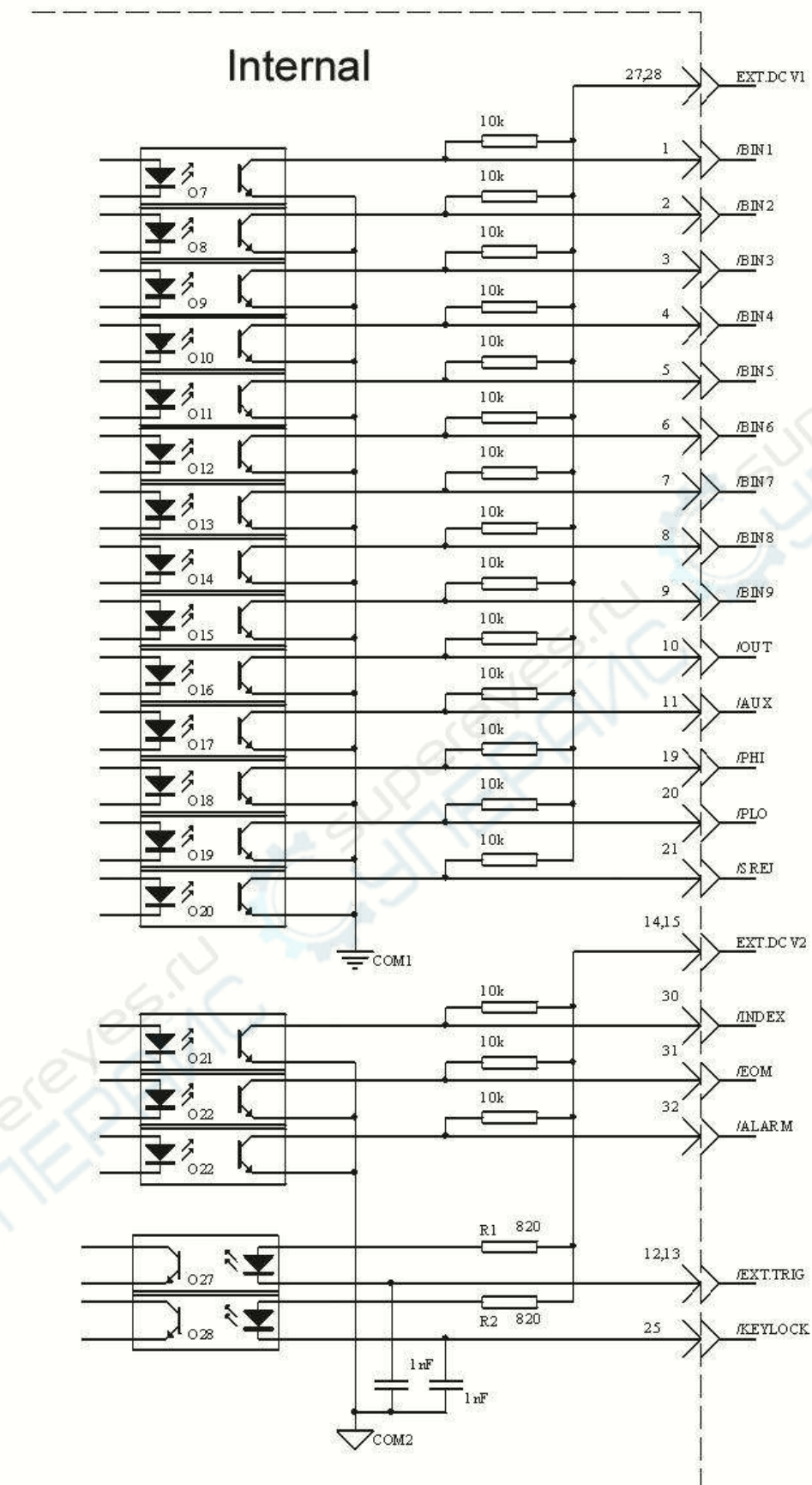
Table 4 the electrical feature of the DC isolation output

the output signal	the output rated voltage		the maximum current	the reference ground for the circuit
	LOW	HIGH		
compared signal /BIN1 - /BIN9 /AUX /OUT /PHI /PLO	≤0.5V	+5V--+24V	6mA	Internal pull-up voltage: TH2829 GND EXTV1: COM1
control signal /INDEX /EOM /ALARM	≤0.5V	+5V--+24V	5mA	Internal pull-up voltage : TH2829 GND EXTV2: COM2

Handler interface board circuit

The circuit of interface card is shown as below.





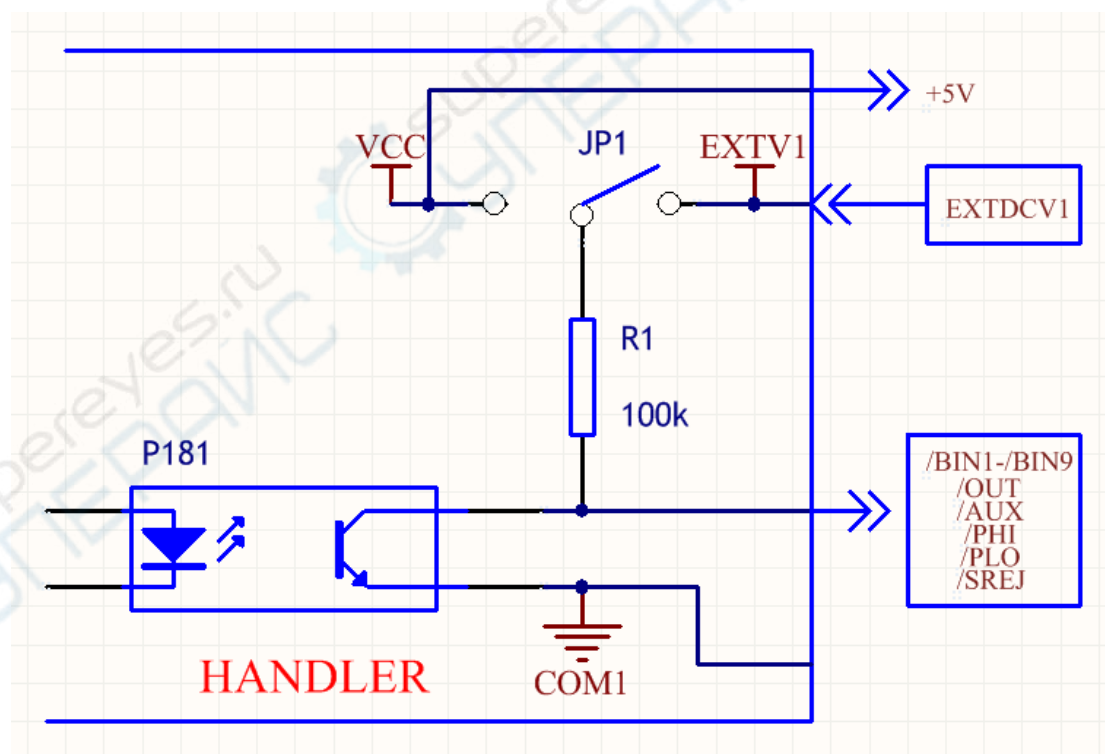
NOTE: as the HANDLER interface card of this instrument, the internal voltage adopts +5V. The actual using value of Internal Power Supply Voltage described in this manual is +5V and it is non-adjustable. When using Internal Power Supply Voltage, the jumping line of Handler interface board must be in short circuit.

Considering the anti-interference ability of TH2829, we suggest you to provide and use external +5V power supply as pull-up power supply of optocoupler. Now, the jumping line should be open (factory settings).

Possible jumping line:

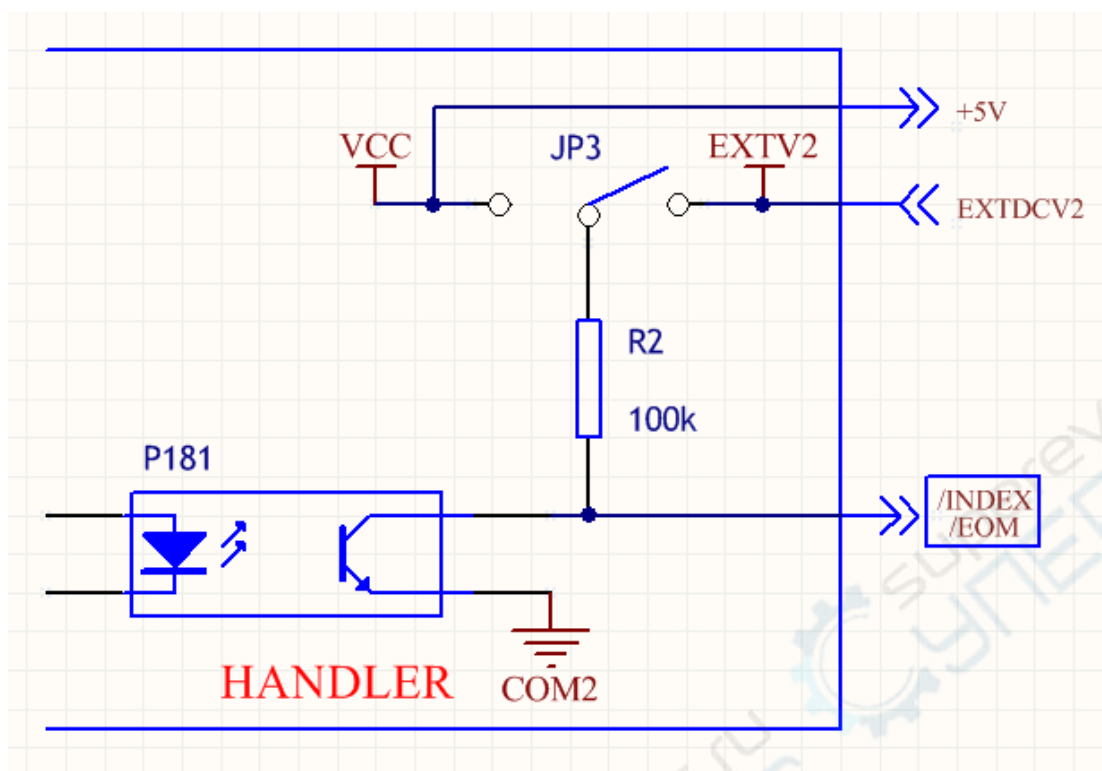
1. Use internal power supply (+5V), set JP1 and JP3 as VCC, JP2 and JP4 in short circuit.
2. Use the same external power supply (EXTV1, EXTV2: same), set JP1 and JP3 as external power supply, JP2 and JP4 in short circuit.
3. Use two sets of external power supply (EXTV1, EXTV2: not same), set JP1 and JP3 as external power supply, disconnect JP2 and JP4.

The internal circuit diagram of the Handler interface input and output pins is as follows:



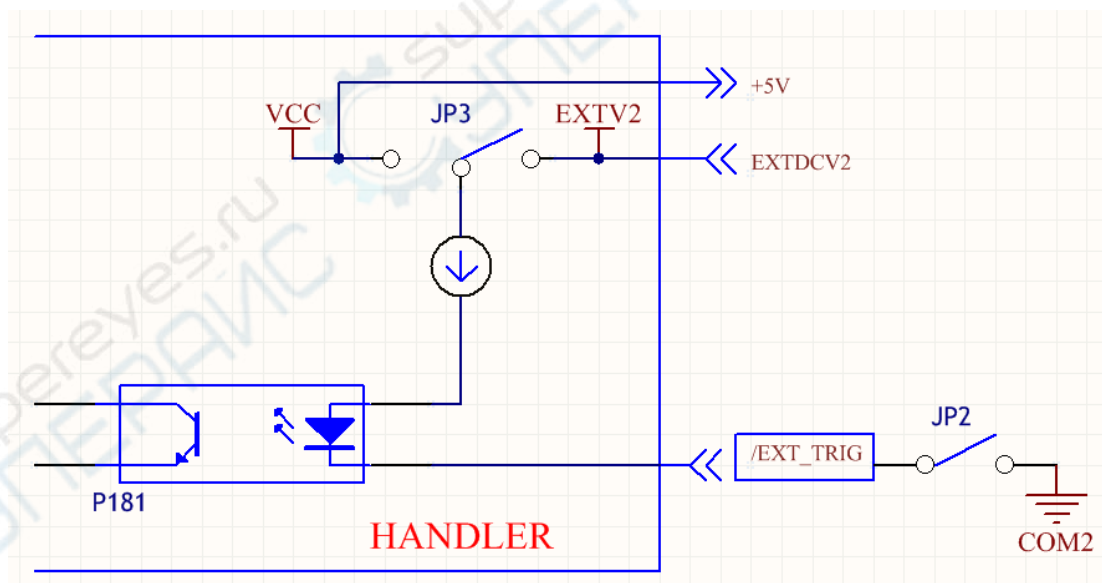
Handler output interface internal diagram 1

Note: The factory default jumper (JP1) is connected to EXTV1, that is, connected to the external power supply, and the pull-up resistor R is 100k.



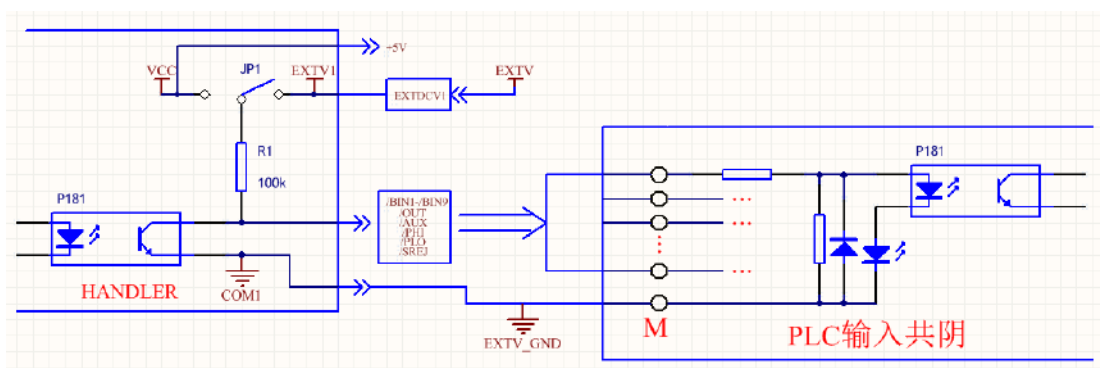
Handler output interface internal diagram 2

Note: The factory default jumper (JP3) is connected to EXTV2, that is, connected to the external power supply, and the pull-up resistor R is 100k.



Handler input interface internal diagram

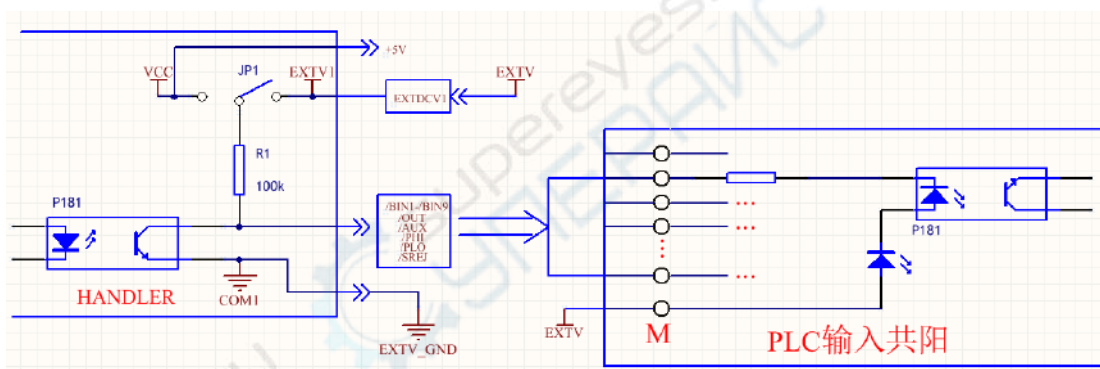
Note: The factory default jumper (JP3) is connected to EXTV2, that is, the external power connection is connected.



Handler output interface with common cathode PLC schematic

Note: 1. Since the default pull-up resistor R of the instrument is 100k, it may not be able to drive the optocoupler inside the PLC input terminal. Therefore, it is necessary to adjust the value of the internal pull-up resistor R , to calculate with a drive current of 3 mA, R can be taken as $EXTV/3$.

2. A pull-up resistor can be added to the outside of the instrument to increase the driving capability. The value of the pull-up resistor is the same as above. One end of the pull-up resistor is connected to the input of the PLC, and one end is connected to EXTV. Each input terminal needs a pull-up resistor.



Handler output interface with common anode PLC schematic

Note: The factory default jumper (JP1) is connected to EXTV1, that is, the external power connection is connected.

Operation

Before you use the HANDLER function, you should ensure that your instrument has installed the HANDLER interface board. The following procedure will show you how to use the interface comparison and the list sweep comparison.

The procedure for comparison setting :

- (1) Press the softkey [LIMIT TABLE]. LIMIT TABLE SETUP page will be displayed.
- (2) Set the standard value and the high limit and the low limit in LIMIT TABLE SETUP.

Refer to the [DISP] key description to see more details.

- (3) Move the cursor to COMP zone. The softkey area will be displayed:

- ON
- OFF

- (4) Press the softkey ON to enable the comparison function.
- (5) Press [DISP], and then press the softkey BIN NO. or BIN COUNT, the DUT will be tested; at the same time, you can set the counter for the DUT and the auxiliary.

Note: COMP ON/OFF can be set in BIN COUNT page.

The procedure for list sweep comparison:

- (1) Press LIST SETUP, LIST SWEEP SETUP page will be displayed.
- (2) Set the sweep mode, sweep frequency point, reference value, the high limit and the low limit. Refer to the [DISP] key description to see more details.
- (3) Press [DISP] and then press the softkey LIST SWEEP, LIST SWEEP DISP page will be displayed. Refer to the DISP key description to see more details.

Note: the following methods can be used to improve the speed:

- (1) Set the range to the maximum that the capacitance may be, and lock this range.
- (2) Set Vm: OFF and Im: OFF in the MEAS SETUP page.
- (3) Test the DUT in the BIN COUNT page.