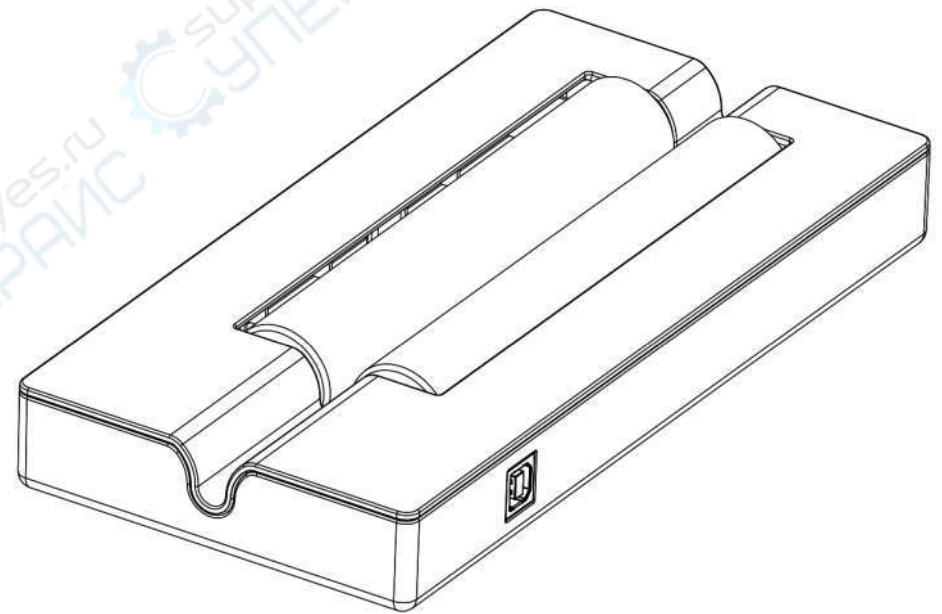


# Roller User Manual



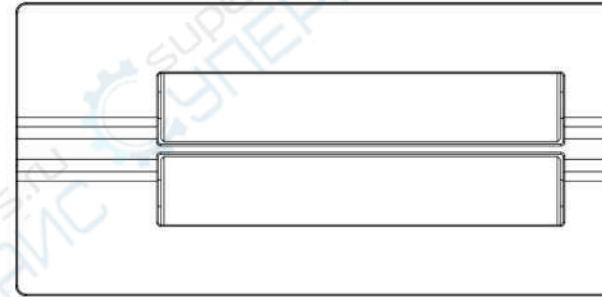
Please read the user manual carefully before use

# Product Structure

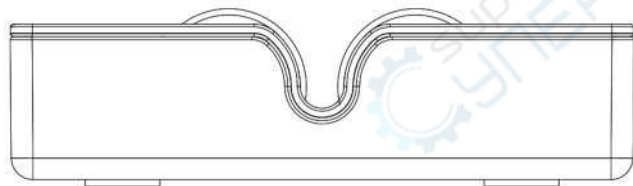
01 Front View



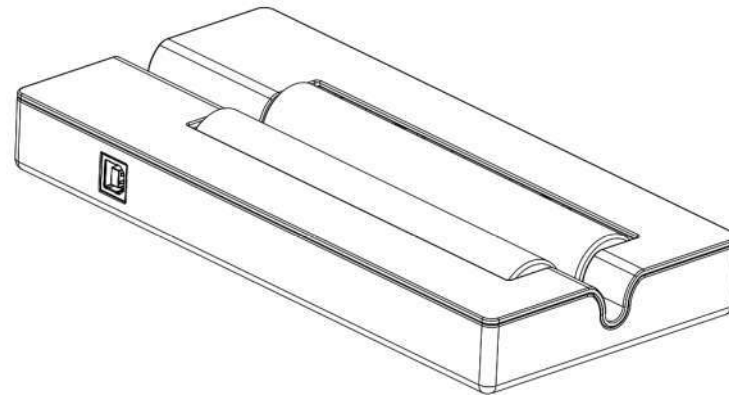
02 Top View



03 Right View



04 Side View



# Product Structure

## Example 1: Roller Connection

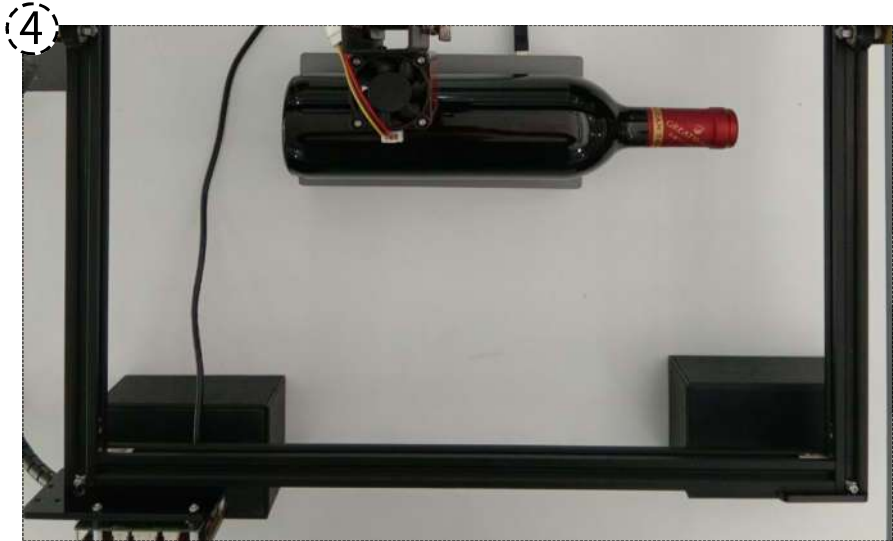
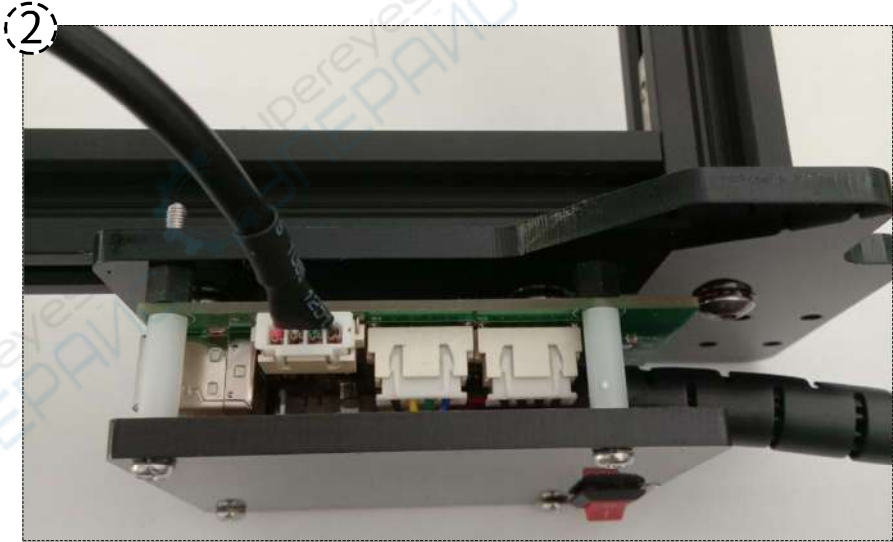
Note: Please connect to corresponding interface according to the corresponding model and USB cable;



# Product Structure

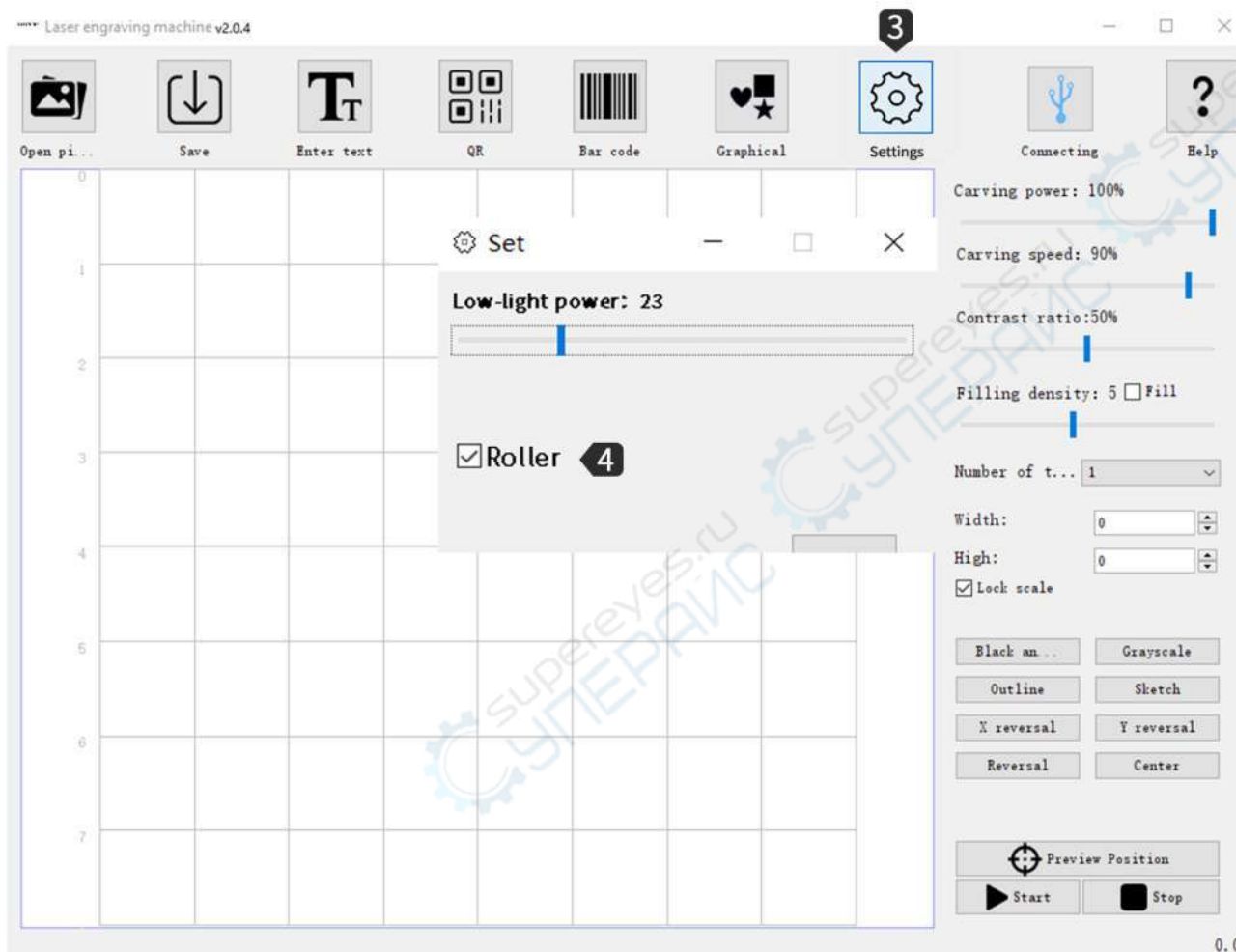
## Example 2: Roller Connection

Note: Please connect to corresponding interface according to the corresponding model and USB cable;



# Connect and Apply Roller with PC/APP

## Connect and Apply Roller Module with Computer



### Application Instructions:

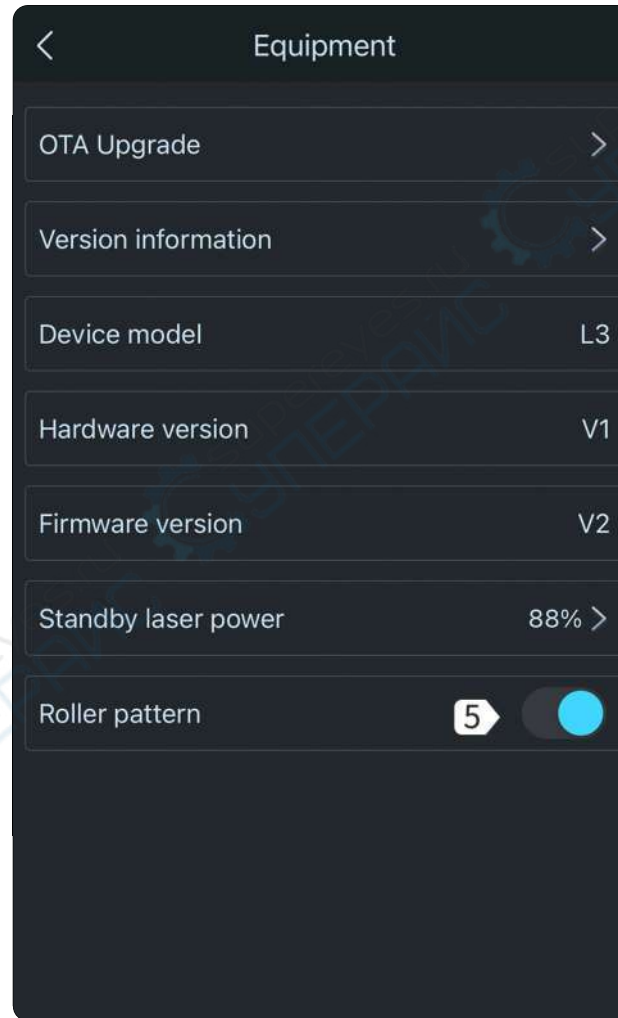
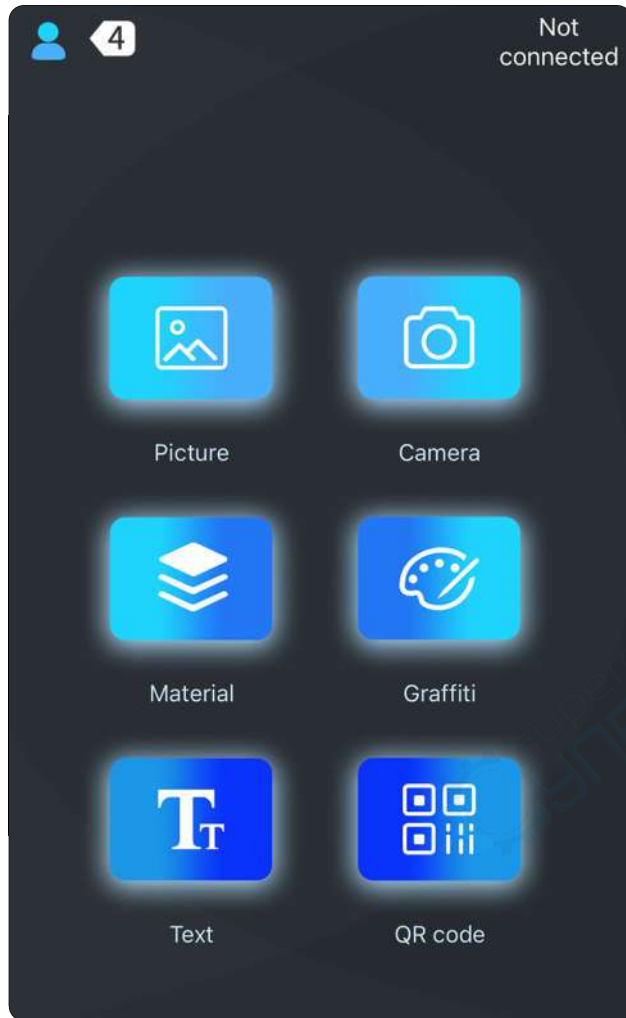
1. Before roller connection and application, please read the user manual first.
2. Roller module is used to engrave cylindrical items.

### Roller Connection and Application:

1. Connect the roller to the machine first (insert the corresponding USB cable to the corresponding interface);
2. Connect the machine to power supply and switch on;
3. Open the engraving software on the computer and click Connection to connect the machine and the software;
4. Click Settings to tick the Roller Functions and click OK;
5. Place the cylindrical items to be engraved on the roller module for preview and engraving;

# Connect and Apply Roller with PC/APP

## Connect and Apply Roller Module with Mobile Phone



### Application Instructions:

1. Before roller connection and application, please read the user manual first.
2. Roller module is used to engrave cylindrical items.

### Roller Connection and Application:

1. Connect the roller to the machine first (insert the corresponding USB cable to the corresponding interface);
2. Connect the machine to power supply and switch on;
3. Open the engraving software on the computer and click Connection to - connect the machine and the software;
4. Click the Settings icon in the upper left corner to enter the Device interface;
5. Activate the Roller mode;
6. Place the cylindrical items to be engraved on the roller module for preview and engraving;