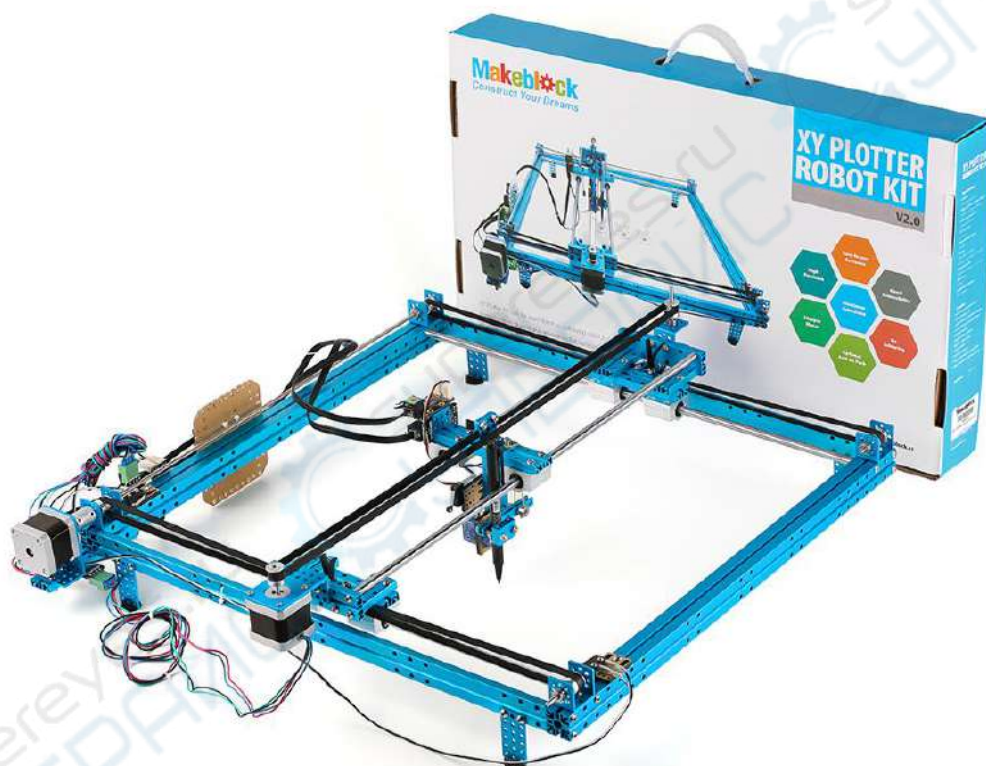


# XY Plotter V2.0 User Guide

– mDraw Version 1.1&Benbox 3.7.99



# Table of Content

- I. Before Get Start..... 1
- II. Part List ..... 2
- III. Introduction ..... 3
  - 1. XY Plotter V2.0..... 3
  - 2. mDraw..... 3
- IV. How to Assemble XY Plotter V2.0 ..... 4
- V. Software ..... 28
- VI. Use mDraw Software..... 29
  - a). Introduction to mDraw ..... 29
  - b). Installation..... 29
  - c). Button Function in Main UI ..... 30
  - d). Setting..... 31
- VII. Use Benbox Software..... 34
  - a). Benbox features introduction..... 34
- VIII. Software downloading. .... 34
  - a). Benbox software installation..... 34
  - b). Main interface function ..... 36
- IX. Meaning of each parameter in the Benbox software. .... 37
  - a). Parameter setting area ..... 37
  - b). Drawing editing area ..... 37
  - c). Operating Area..... 38
  - d). Preview area ..... 38
- X. Software initialization setting ..... 39
  - a). Check connections..... 39
  - b). Upgrade the firmware (Require to burn when using for the first time ..... 39
  - c). Calibrate the setting of pen-agency and pen up and down parameters ..... 40
- XI. Vector DXF drawing example - Iron Man Drawing ..... 42
- XII. FAQs ..... 43
- XIII. Thanks! ..... 46

## I. Before Get Start

### 1. Hardware:

XY Plotter V2.0 Kit

### 2. XY Plotter V2.0 Assembly instructions

### 3. Software:

#### a. Must have:

mDraw for Windows

mDraw for Mac

Benbox 3.7.99

Inksape

#### b. Optional:

Arduino IDE

Makeblock Windows Mainboard Driver(PS: Please download driver for Mac OS system at our website)

*Note:mDraw is best for Makeblock Orion mainboard, it also supports Arduino Leonardo/Uno mainboard, for which need to upload firmware by Arduino IDE firstly. Please download the firmware at [Here](#).*

#### Tip 1

*For the accuracy of your XY Plotter V2.0, please strictly follow the assemble instruction, and carefully adjust your robot. Please pay attention to the position of axles, transmission parts, servo arm, and the levelness of robot.*

#### Tip 2

*Pictures in this article is only for reference. Specifications and software are subject to change without notice, please pay attention to our website <http://www.makeblock.cc>.*

## II. Part List

XY Plotter V2.0 Part lists

1	Beam 0824-16	1	30	Wrench 7mm&5mm	1
2	Beam 0824-48	4	31	Screw M4x8	36
3	Beam 0824-80	1	32	Screw M4x14	30
4	Beam 0824-96	4	33	Screw M4x16	28
5	Beam 0824-112	2	34	Screw M4x22	12
6	Beam 0824-496	2	35	Screw M4x30	18
7	Beam 0808-072	1	36	Countersunk Screw M3x8	10
8	Beam2424-504	2	37	Headless Set Screw M3x5	26
9	Plate 3x6	5	38	Nut M4	50
10	Belt Connector	3	39	Plastic Rivet R4060	16
11	Cuttable Linkage 3	6	40	Plastic Rivet R4100	6
12	Bracket 3x3	2	41	Plastic Ring 4x7x2mm	20
13	Bracket U1	5	42	Nylon Cable Ties	30
14	42BYG Stepper Motor Bracket	2	43	Rubber band	5
15	9g Micro Servo Pack	1	44	Gasket	4
16	42BYG Stepper Motor	2	45	Me Baseboard 1.0	1
17	Timing Pulley18T	6	46	Me Stepper Motor Driver	2
18	Open-end Timing Belt (1.3m)	3	47	Me Micro Switch B	4
19	Threaded Shaft 4x39mm	1	48	Me RJ25 Adapter	3
20	D Shaft 4x56mm	2	49	Wall Adapter Power Supply - 12VDC	1
21	Linear Motion Shaft D4x80mm	1	50	6P6C RJ25 cable-20cm	2
22	Linear Motion Shaft D4x512mm	1	51	6P6C RJ25 cable-35cm	1
23	Linear Motion Shaft D8X496mm	4	52	6P6C RJ25 cable-50cm	2
24	Shaft Collar 4mm	10	53	USB 2.0 A-Male to Micro B-Male Cable	1
25	Flexible coupling 4x4mm	1	54	Micro Switch Cable-90cm	1
26	Linear Motion Slide Unit 8mm	6	55	Base Bracket B	1
27	Flange Bearing 4x8x3mm	10	56	XY QR Code Card	1
28	Cross &2.5mm HEX Screwdriver	1	57	Packing Case	1
29	HEX Allen Key 1.5mm	2			

### III. Introduction

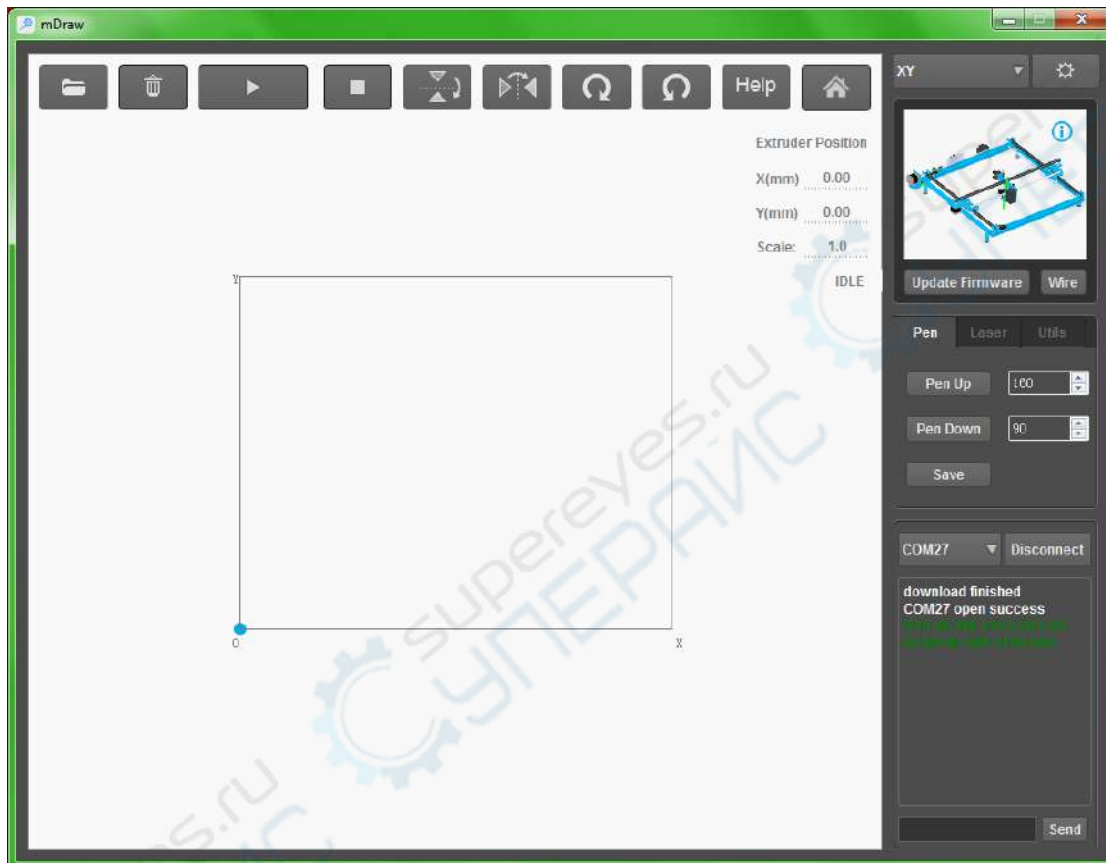
#### 1. XY Plotter V2.0

XY Plotter is a drawing robot based on Makeblock platform, precision is 0.1mm, working area is 310mm×390mm. Besides the well-designed hardware, we designed a software for XY Plotter 2.0 – mDraw.

#### 2. mDraw

mDraw is a host computer software originally designed for 4-in-1 drawing robot mDrawBot, we developed the compatibility with XY Plotter 2.0 Servo mode and Laser mode.

mDraw Main UI



## IV. How to Assemble XY Plotter V2.0

### Step 1

2×Beam 0824-496

2×Beam 2424-504

2×Linear Motion Shaft D8X496mm

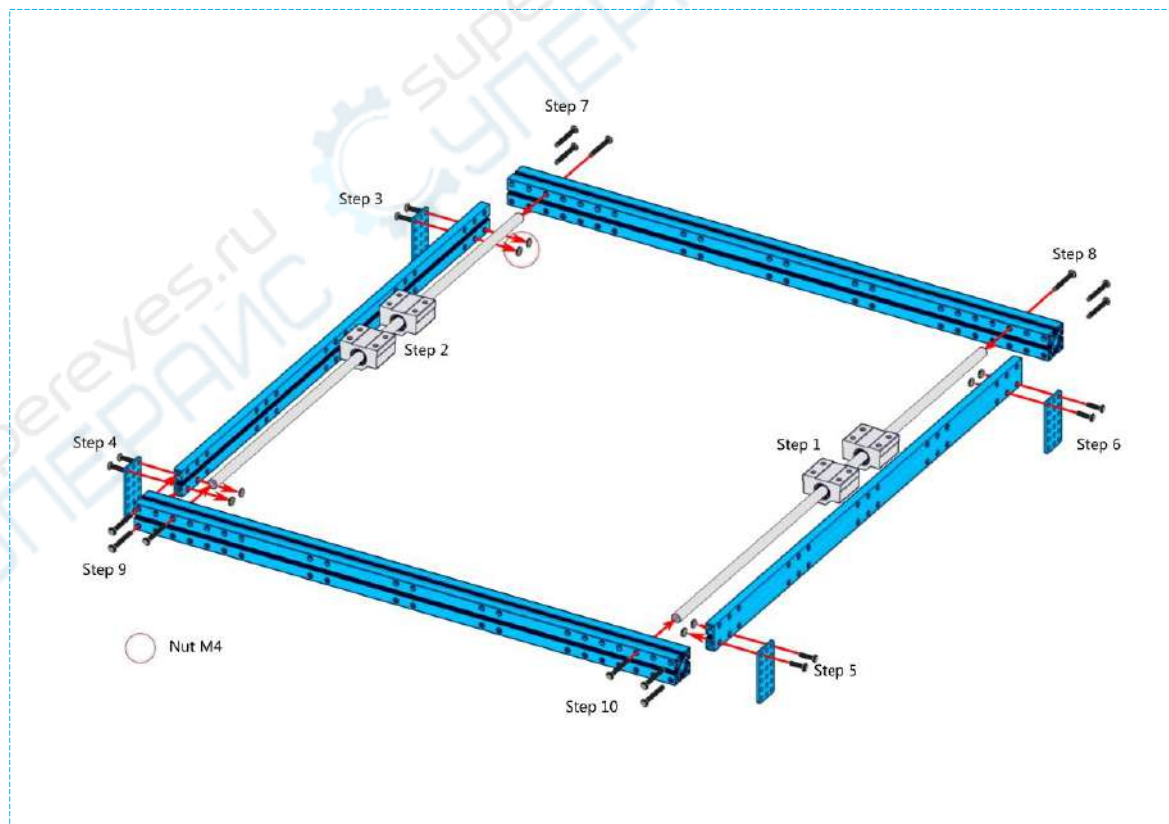
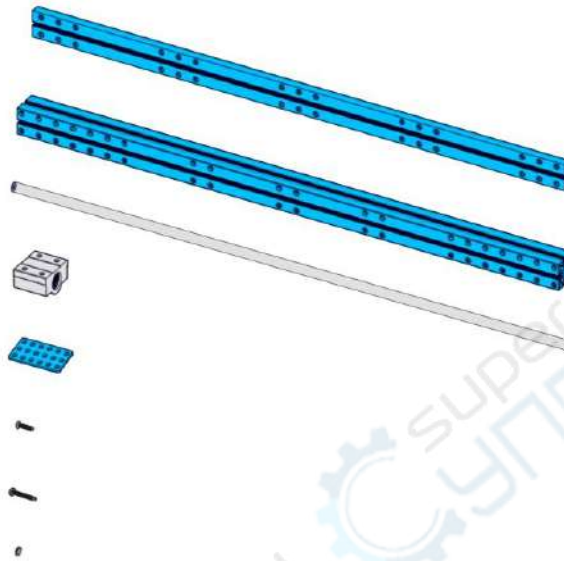
4×Linear Motion Slide Unit 8mm

4×Plate 3×6

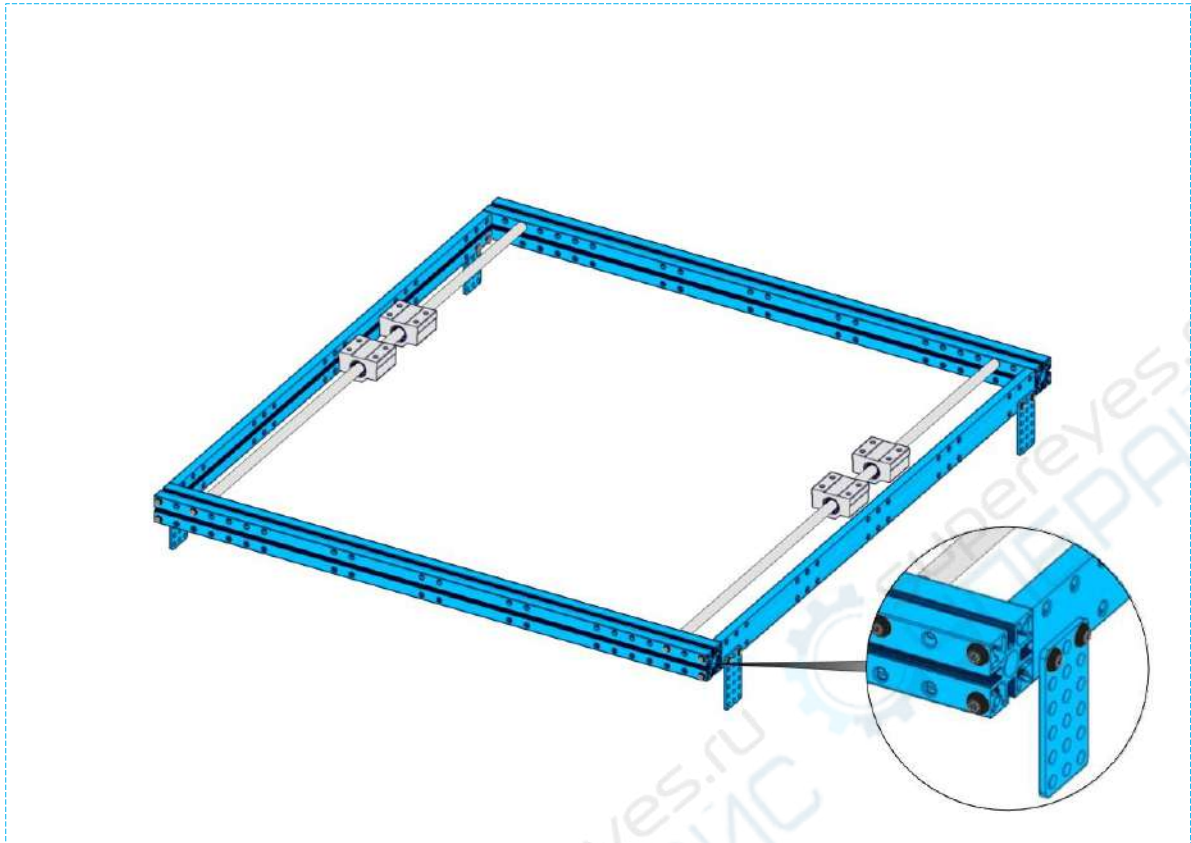
8×Screw M4×14

12×Screw M4×30

8×Nut M4

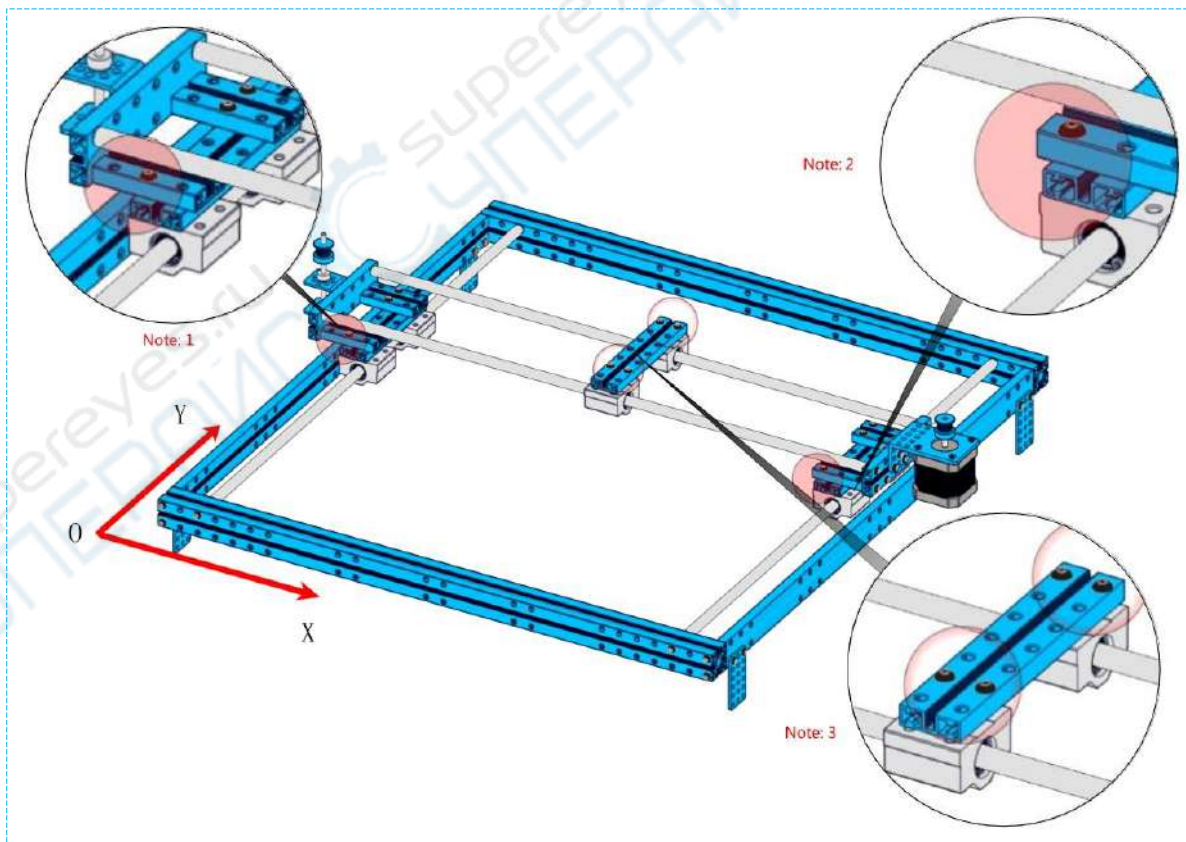
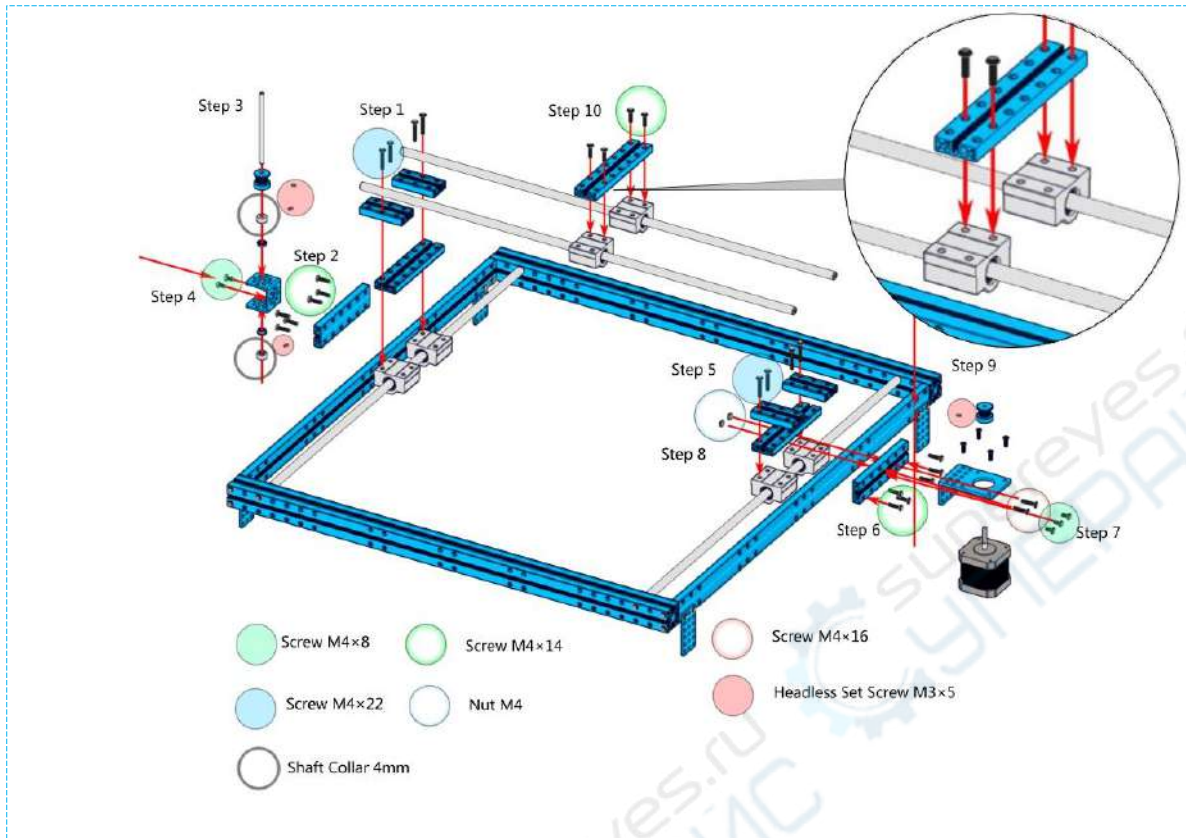






### Step 2

- |                                    |  |                          |  |
|------------------------------------|--|--------------------------|--|
| 2×Linear Motion Shaft D8X496mm     |  | 5×Screw M4×8             |  |
| 1×Linear Motion Shaft D4x80mm      |  | 16×Screw M4×14           |  |
| 1×42BYG Stepper Motor Bracket V2.1 |  | 2×Screw M4×16            |  |
| 1×42BYG Stepper Motor              |  | 8×Screw M4×22            |  |
| 4×Beam 0824 48                     |  | 4×Countersunk Screw M3x8 |  |
| 4×Beam 0824 96                     |  | 2×Shaft Collar 4mm       |  |
| 1×Beam 0824 112                    |  | 2×Timing Pulley 18T      |  |
| 2×Linear Motion Slide Unit 8mm     |  | 1×Bracket U1             |  |
| 2×Flange Bearing 4x8x3mm           |  |                          |  |
| 4×Headless Set Screw M3x5          |  |                          |  |
| 2×Nut M4                           |  |                          |  |





### Step 3

1×Micro Switch Button



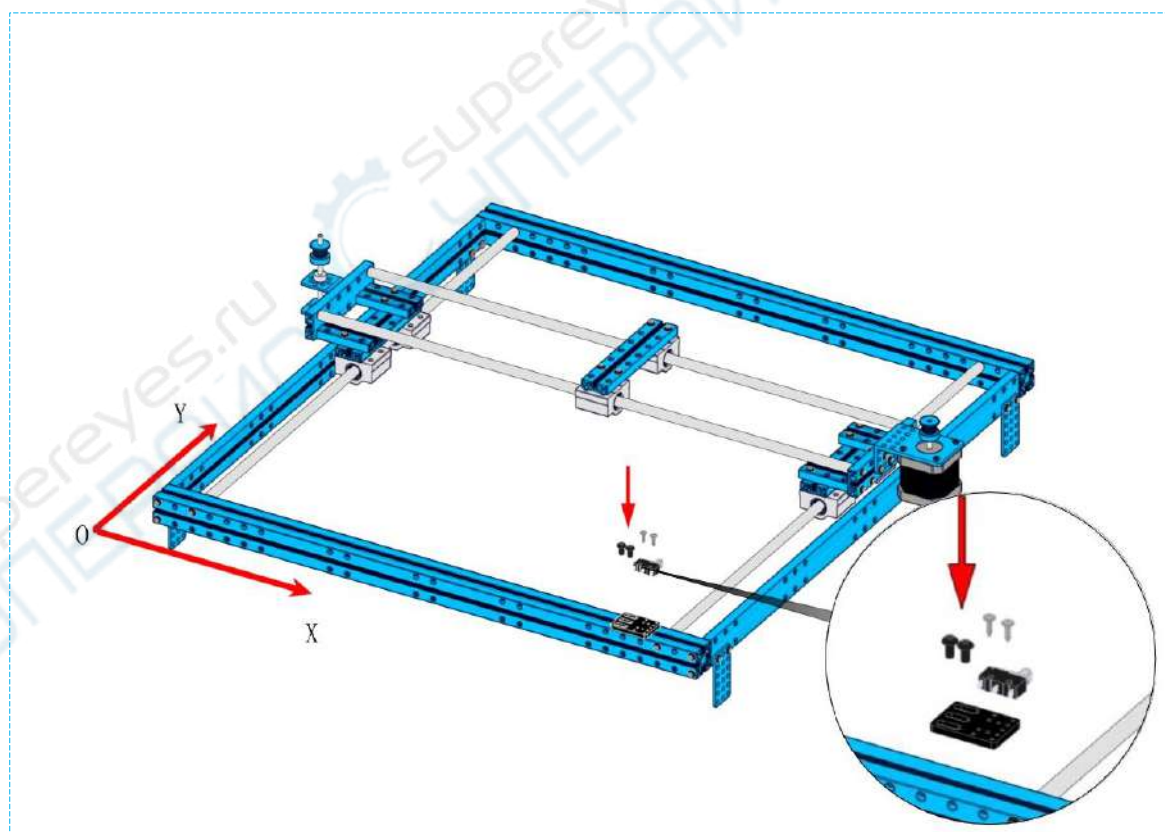
1×LS Bracket

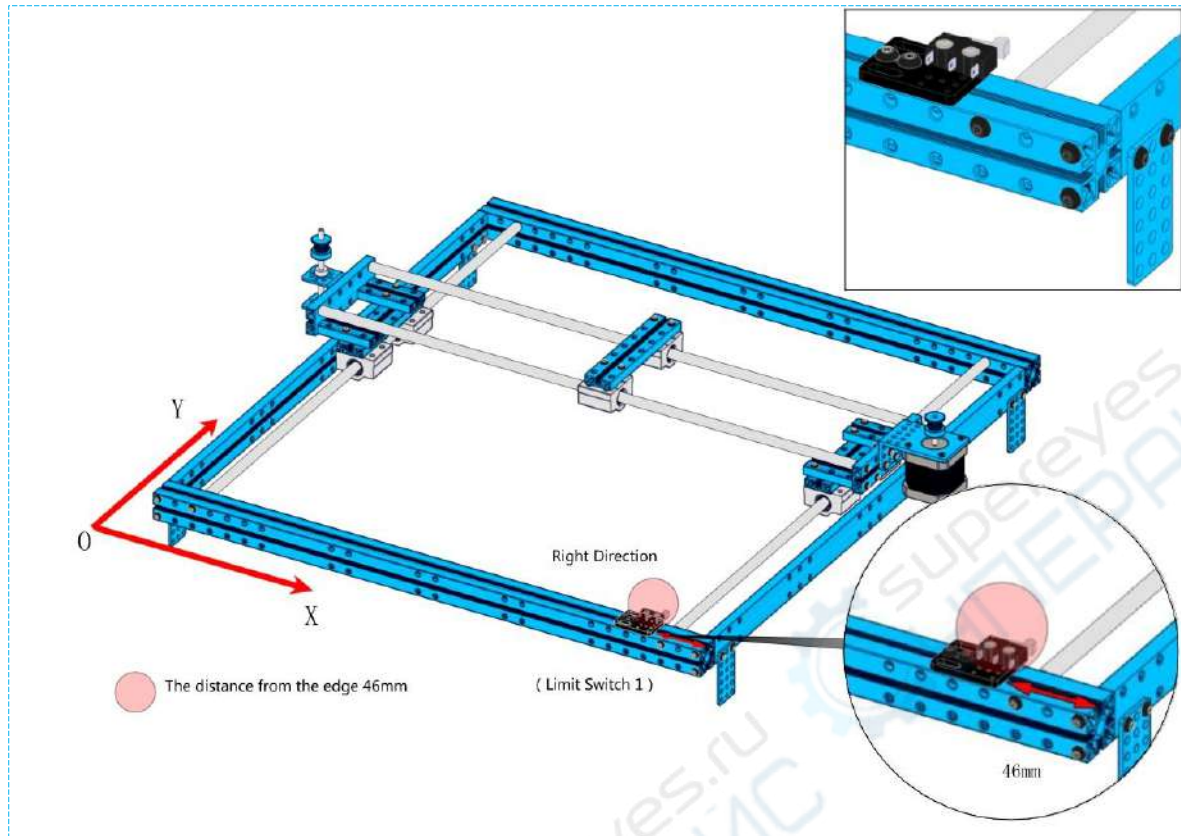


2×Cross Recessed Pan Head  
Tapping Screws ST2.2×9.5



2×Screw M4×8





#### Step 4

1×Linear Motion Shaft D4x512mm

2×D Shaft 4x56mm

4×Bracket U1

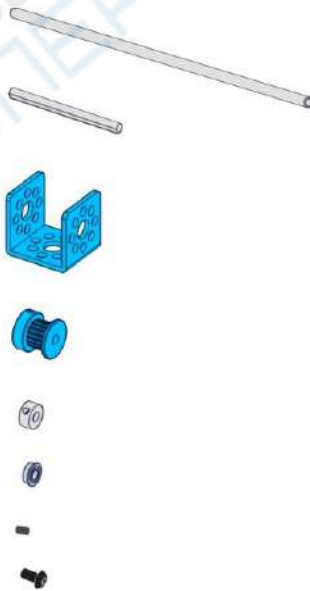
4×Timing Pulley 18T

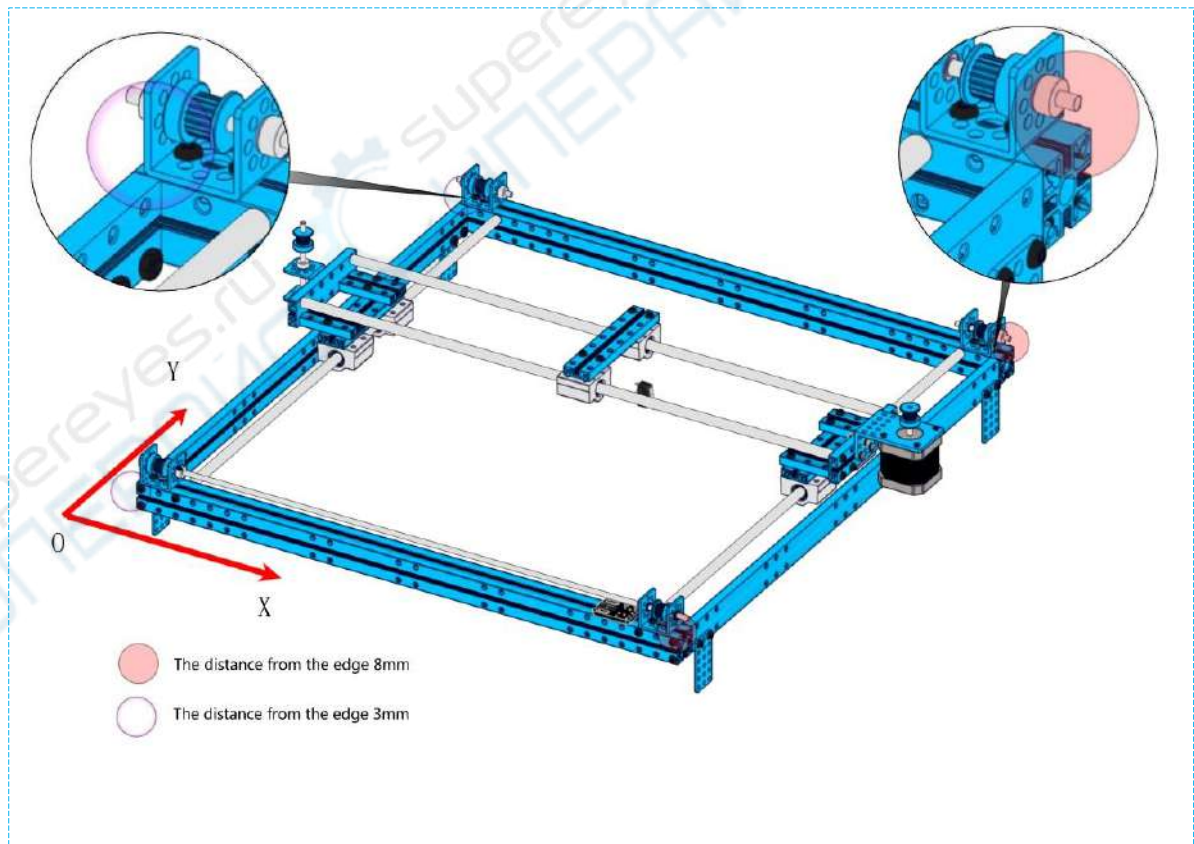
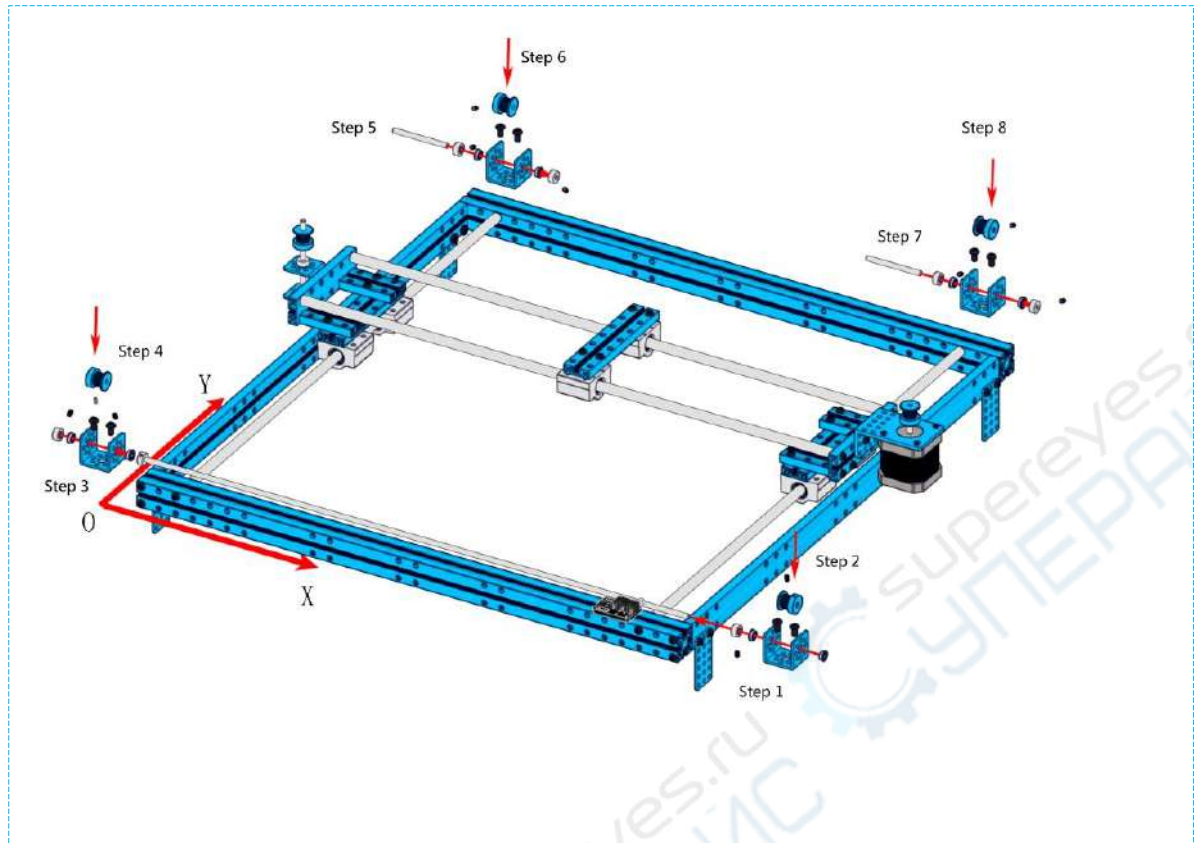
7×Shaft Collar 4mm

8×Flange Bearing 4x8x3mm

11×Headless Set Screw M3x5

8×Screws M4x8





### Step 5

2×Open-end Timing Belt (1.3m)

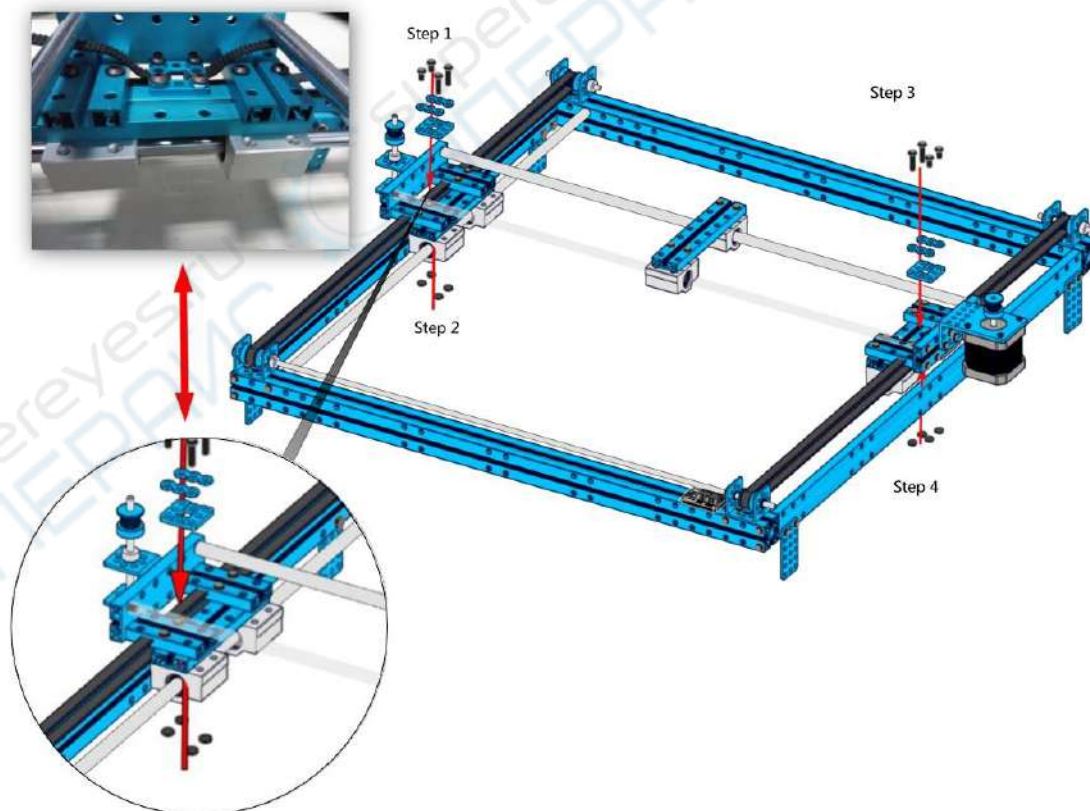
2× Belt Connector

4×Cutttable Linkage 3

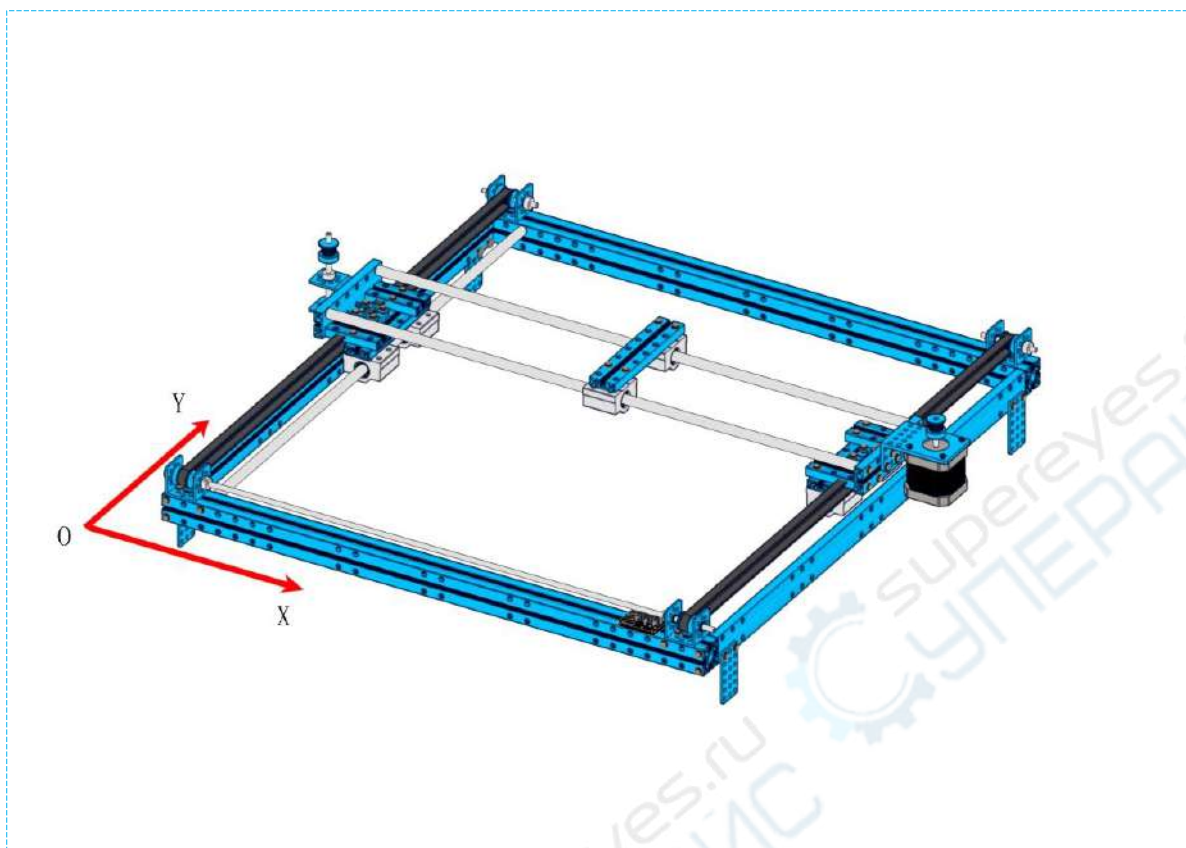
4×Screw M4×16

4×Screw M4×8

8×Nut M4







### Step 6

1×Bracket 3×3



1× Belt Connector



1×Open-end Timing Belt (1.3m)

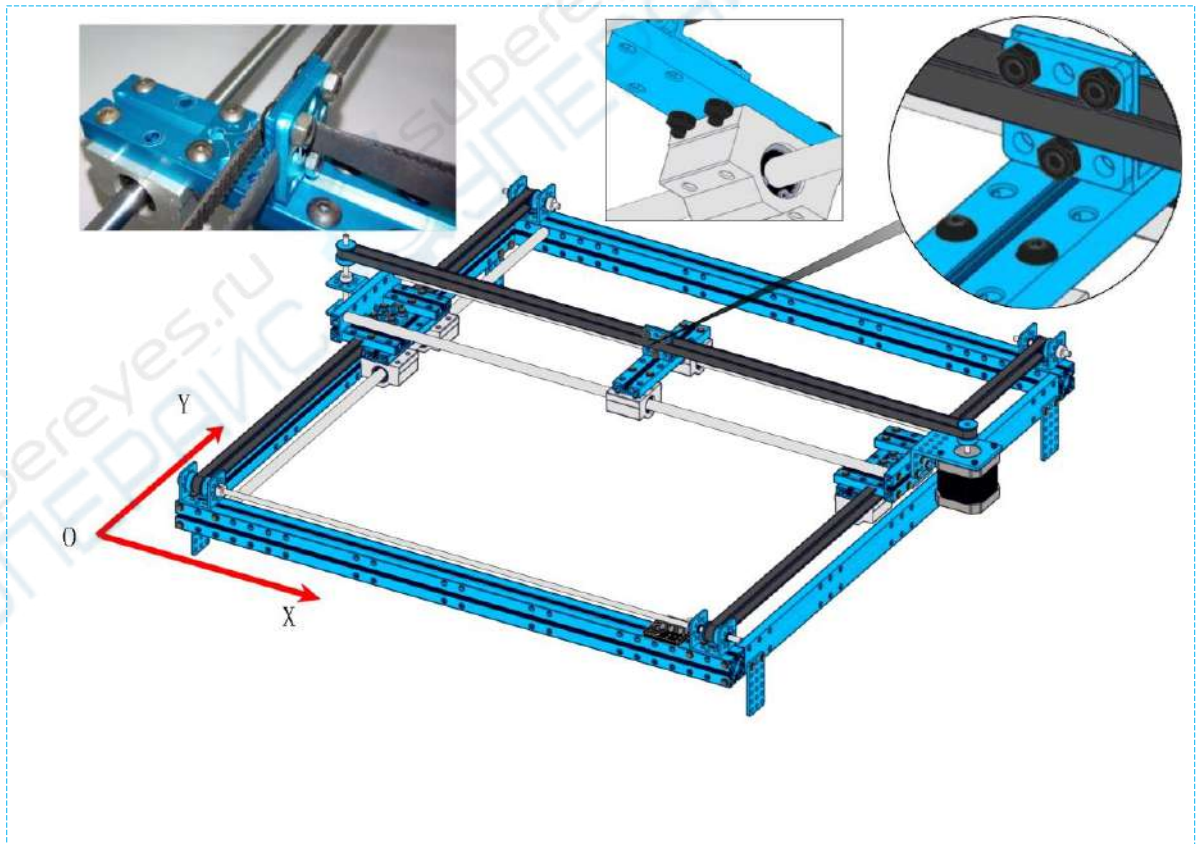
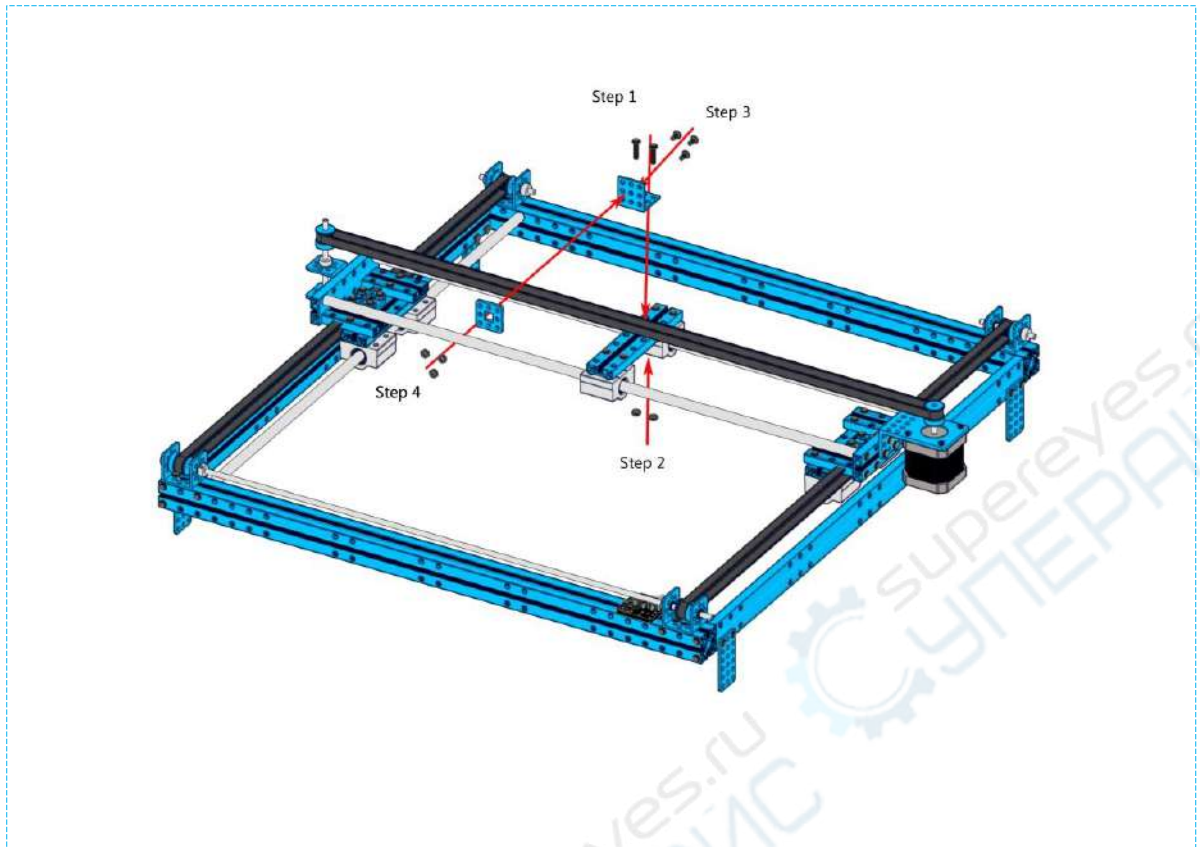
2×Screw M4×16

3×Screw M4×8

5×Nut M4







### Step 7

1×42BYG Stepper Motor

1×42BYG Stepper Motor Bracket V2.1

1×Beam 0824 112

1×Flexible coupling 4x4mm

1×Plate 3×6

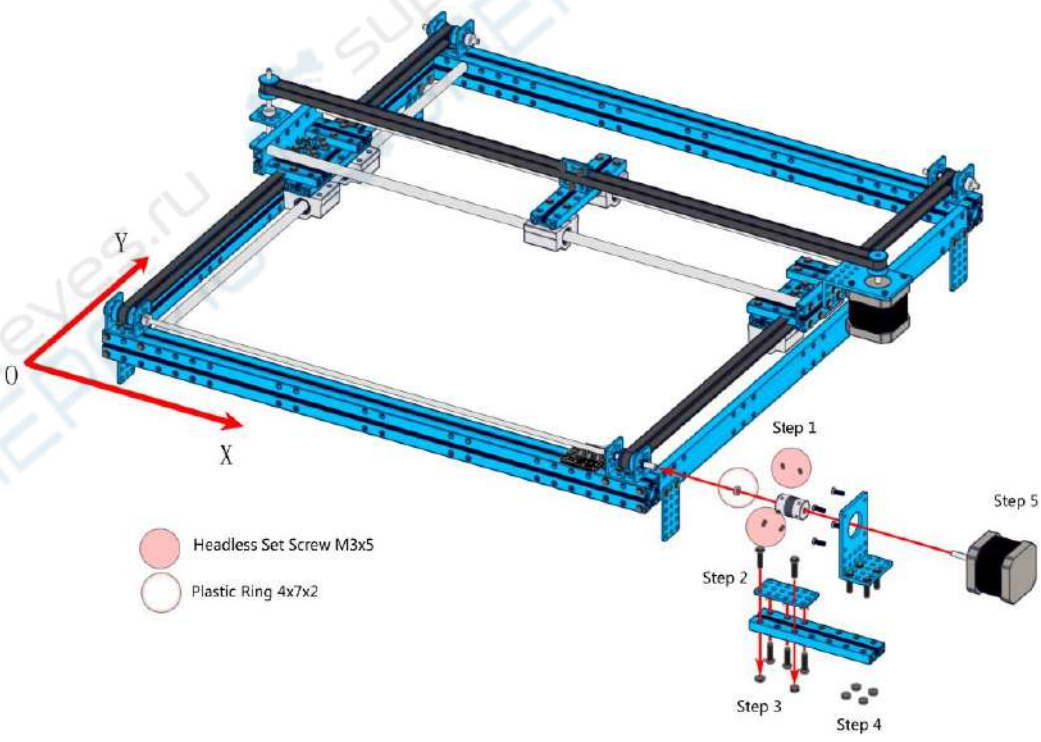
9×Screws M4×16

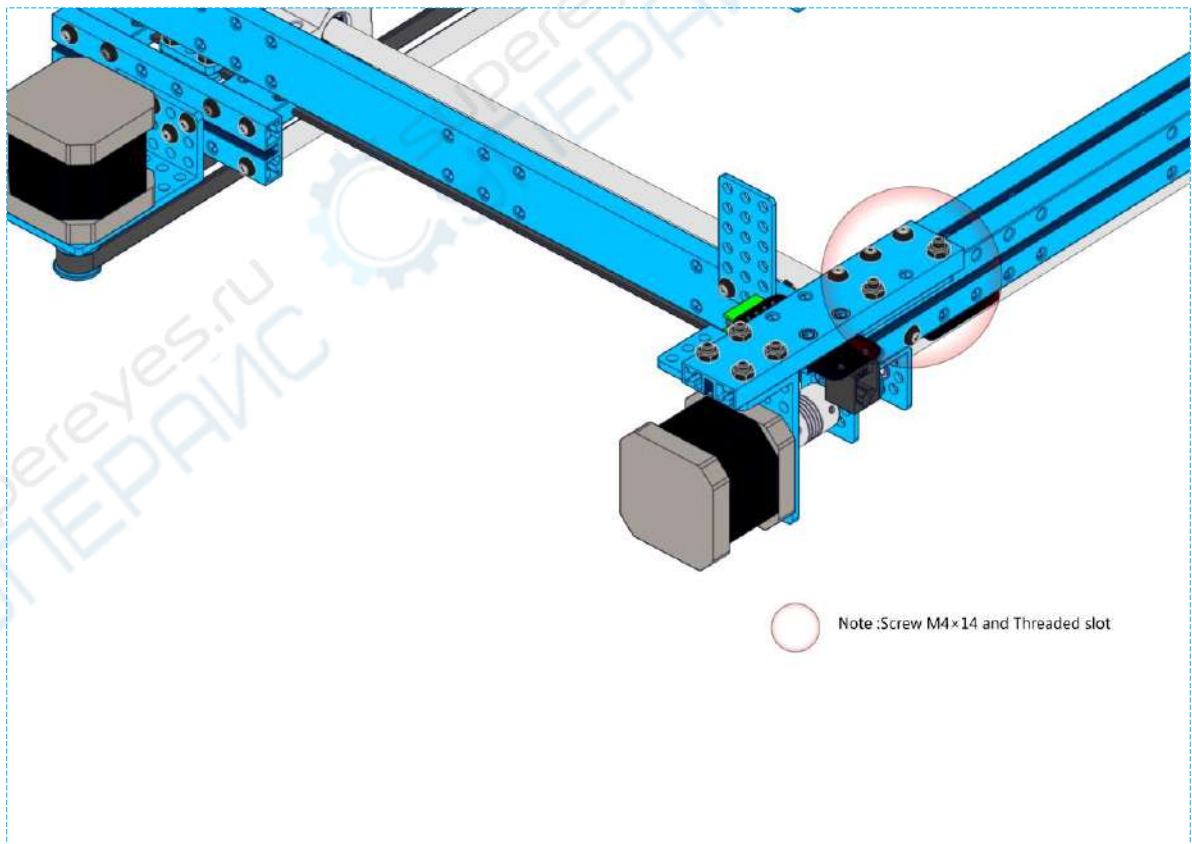
6×Nut M4

4×Screw Countersunk M3x8

4×Headless Set Screw M3x5

1×Plastic Ring 4x7x2

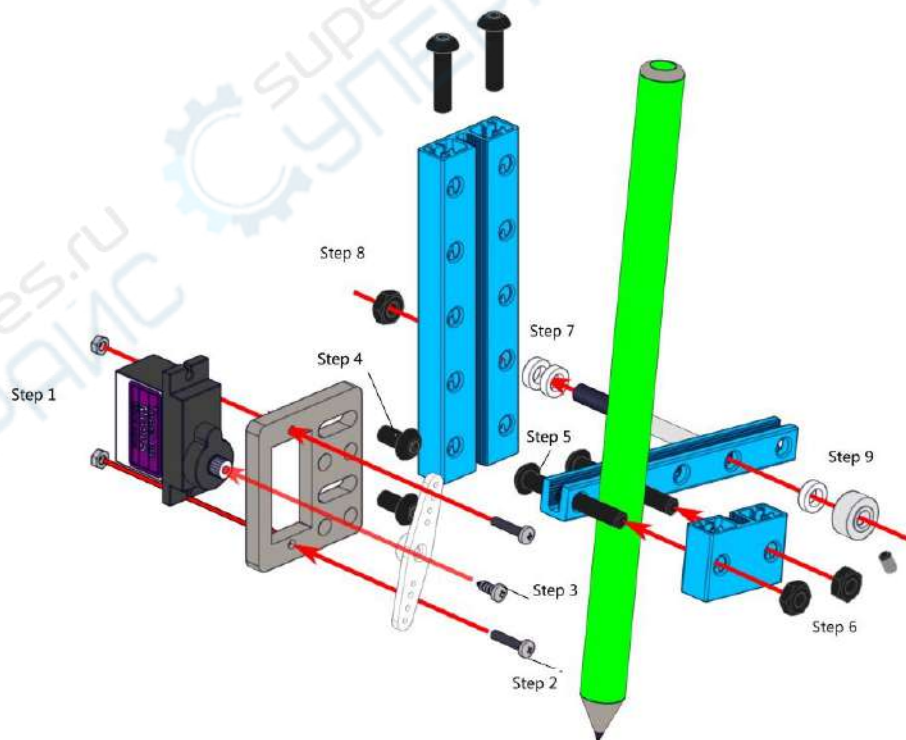


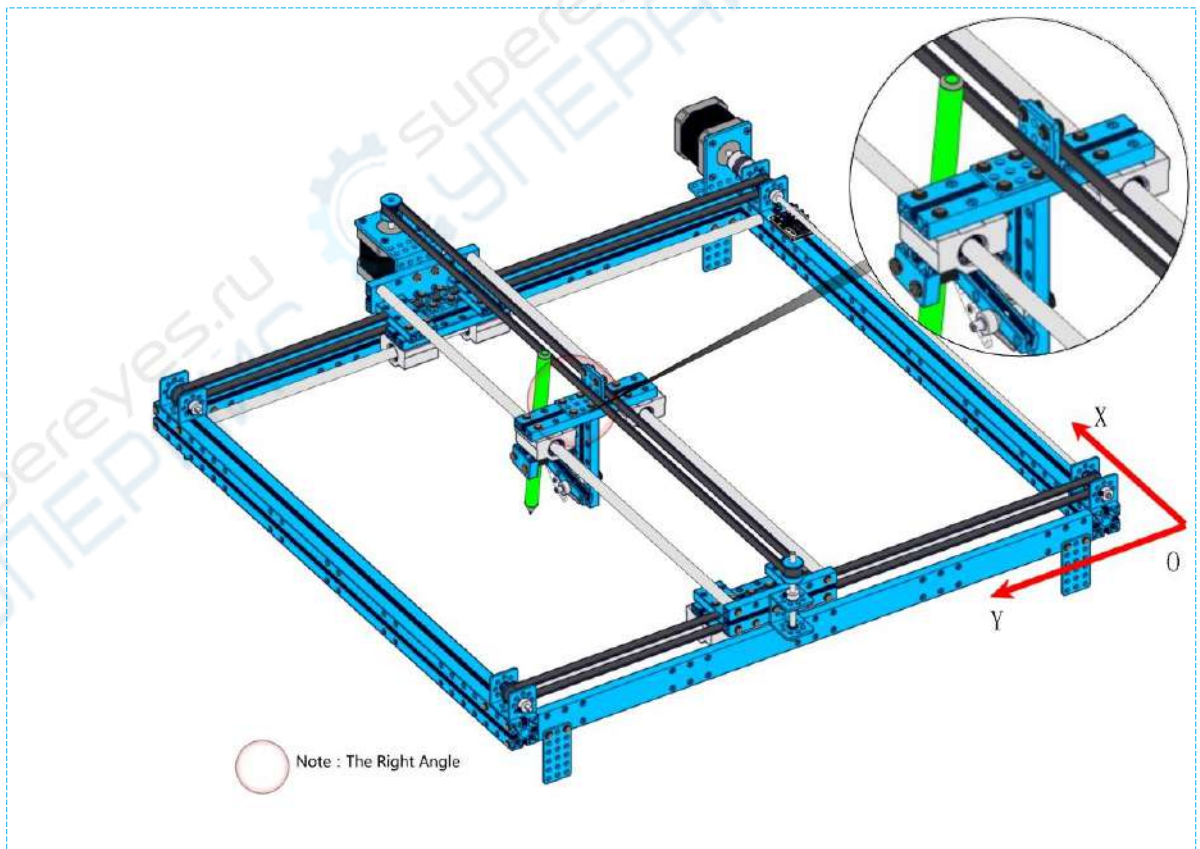
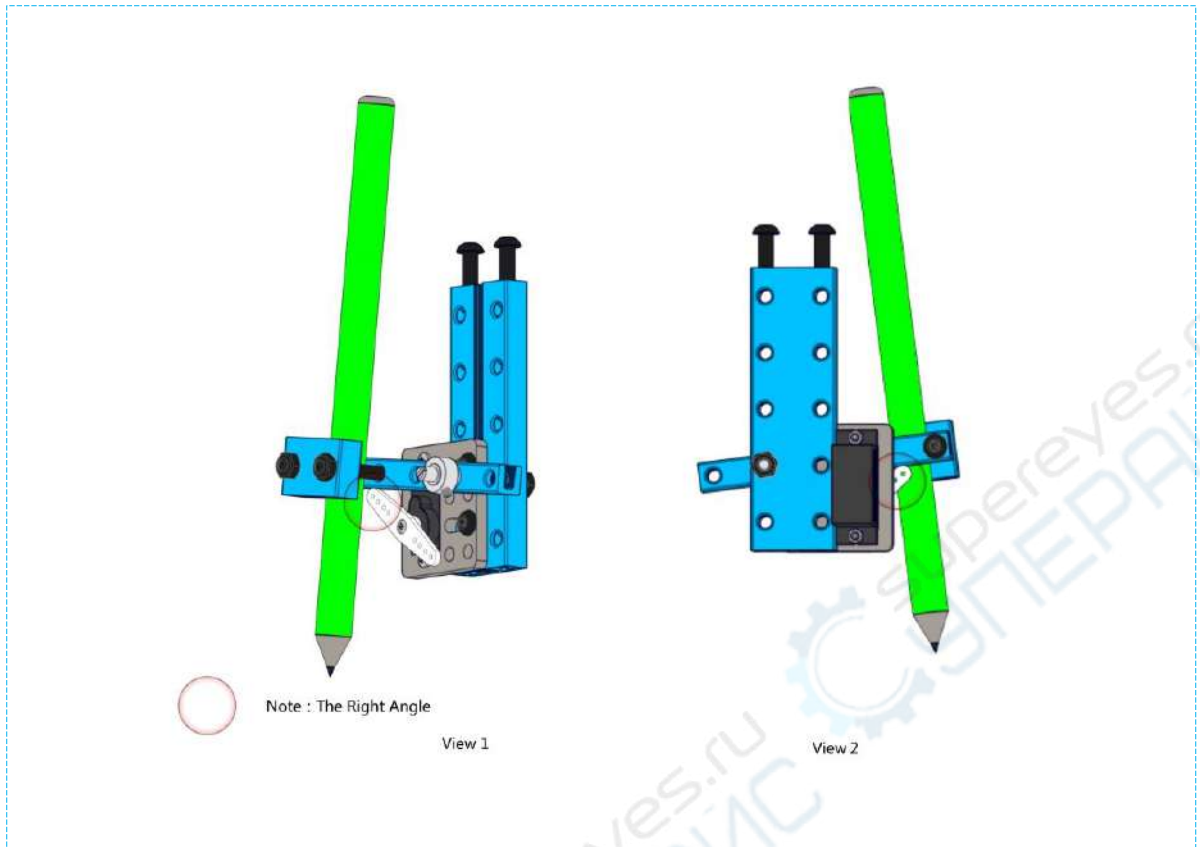




### Step 8

- 1×Pencil,etc(provide for oneself)
- 1×Beam 0824 80
- 1×Beam 0828 16
- 1×Beam 0808 72/80
- 1×Micro Servo Fixed Slices
- 1×9g Micro Servo
- 1×Threaded Shaft 4x39mm
- 2×Screw M4×30
- 2×Screw M4×16
- 2×Screw M4×8
- 2×Screw M2×10
- 3×Nut M4
- 2×Nut M2
- 1×Screw Headless M3×5
- 1×Shaft Collar 4mm
- 3×Plastic Ring 4x7x2







### Step 9

3×Micro Switch Button

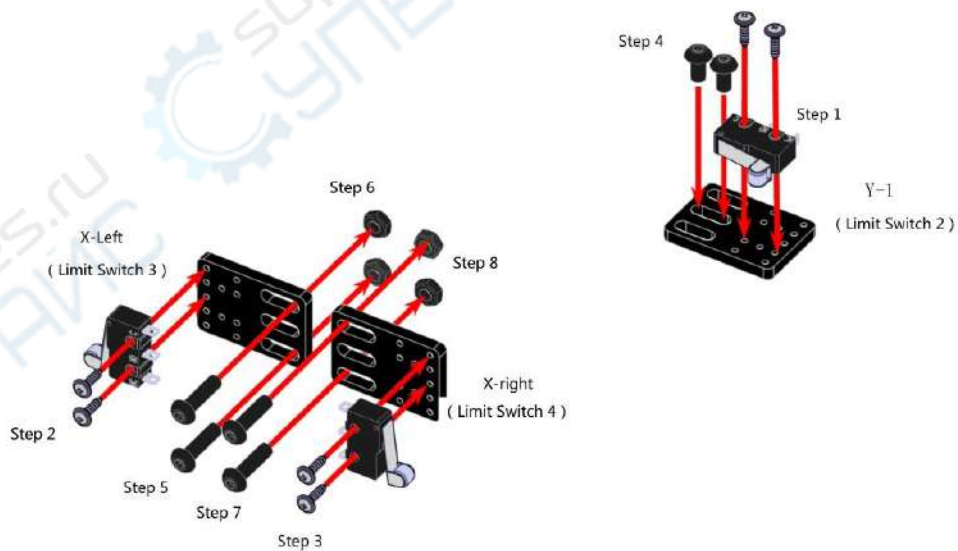
3×LS Bracket

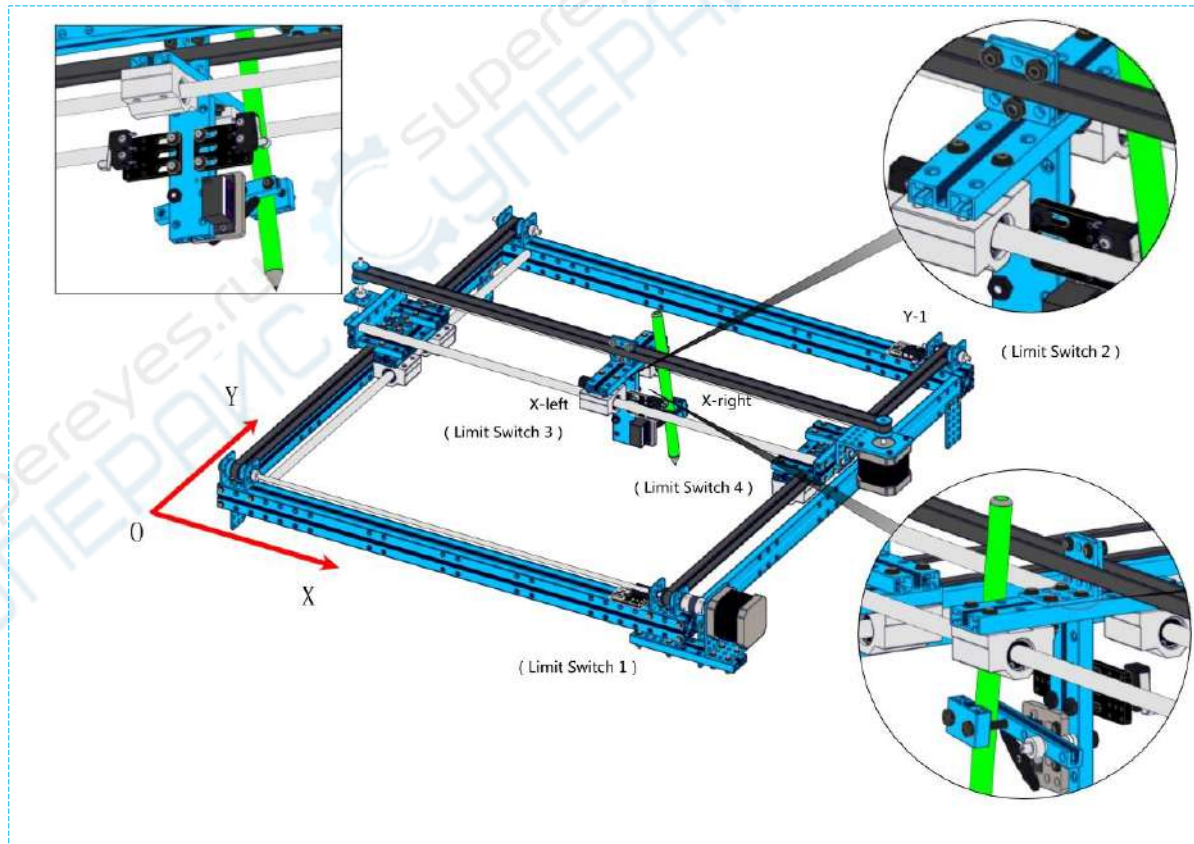
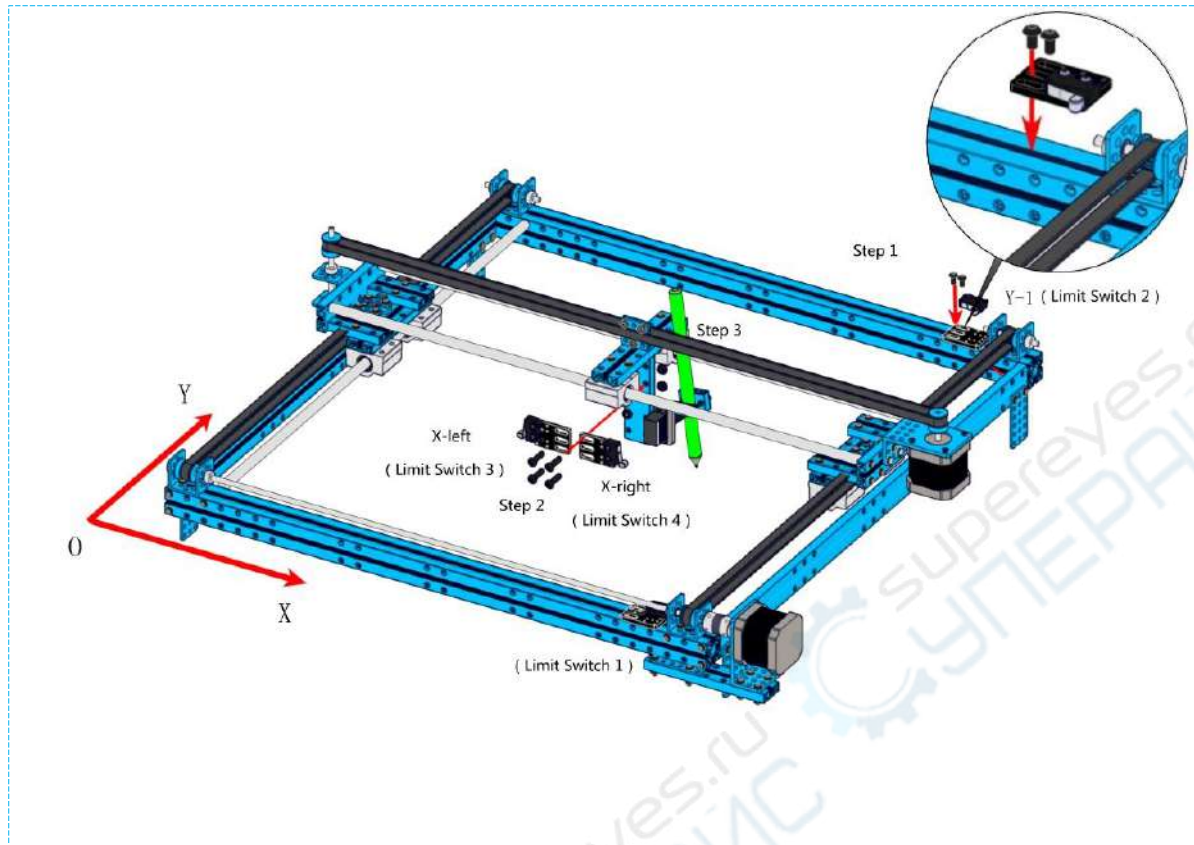
6×Cross Recessed Pan Head  
Tapping Screws ST2.2×9.5

2×Screw M4×8

4×Screw M4×16

4×Nut M4



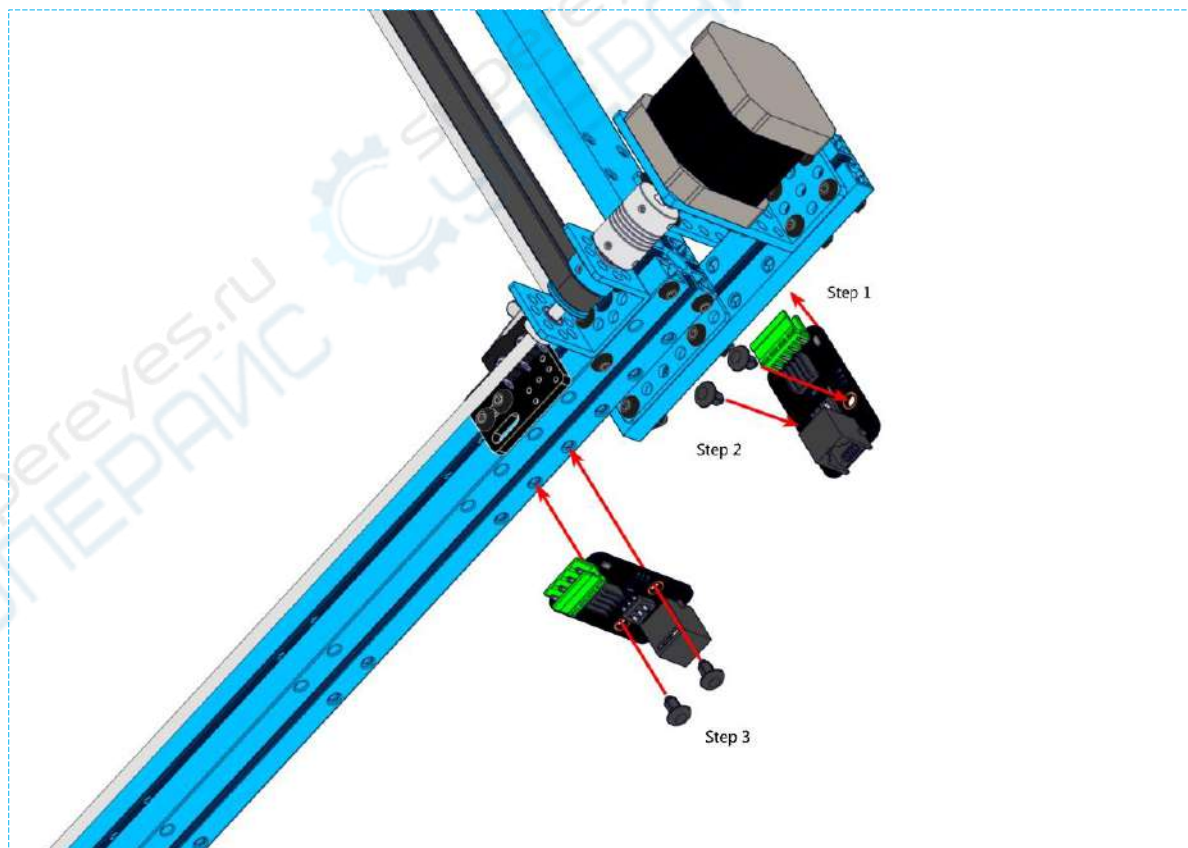


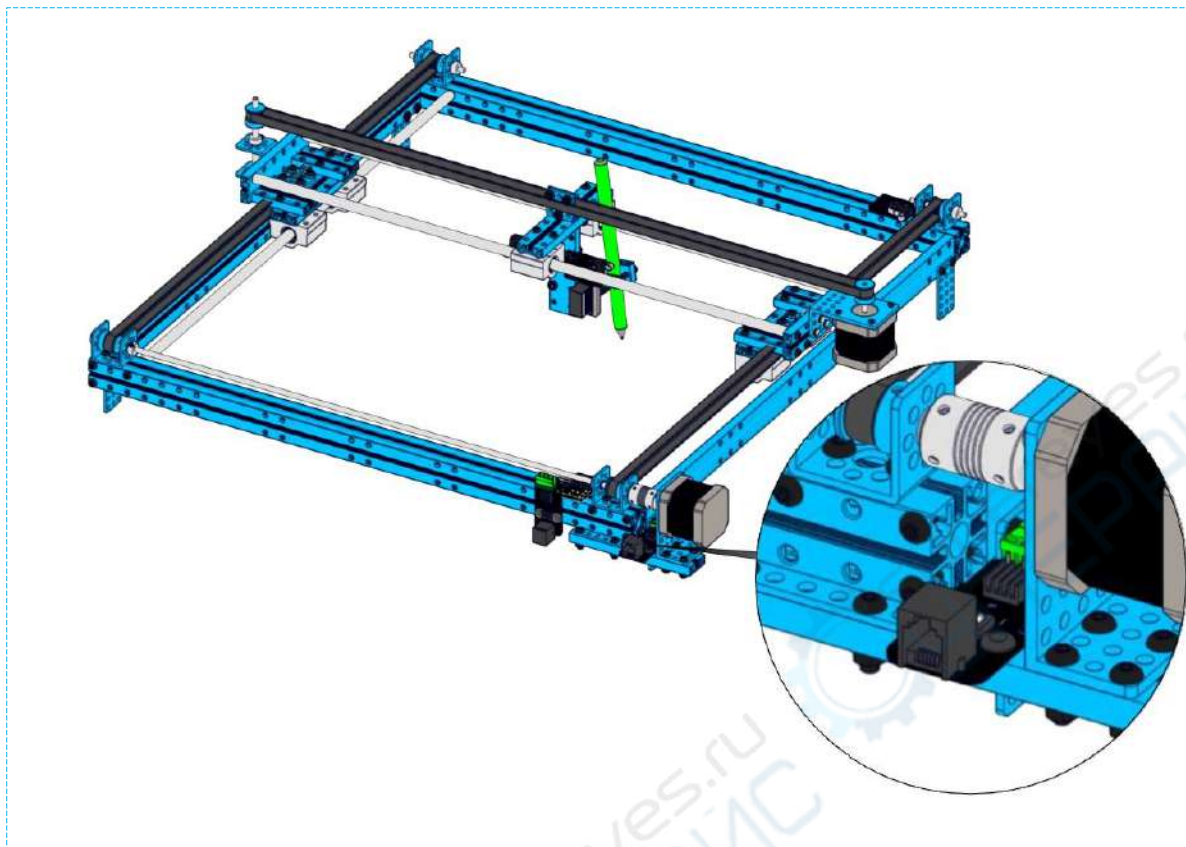
### Step 10

2×Me Stepper Driver V1.0



4×Plastic Rivet 4060





### Step 11

3×Me RJ25 Adapter



1×Bracket 3×3



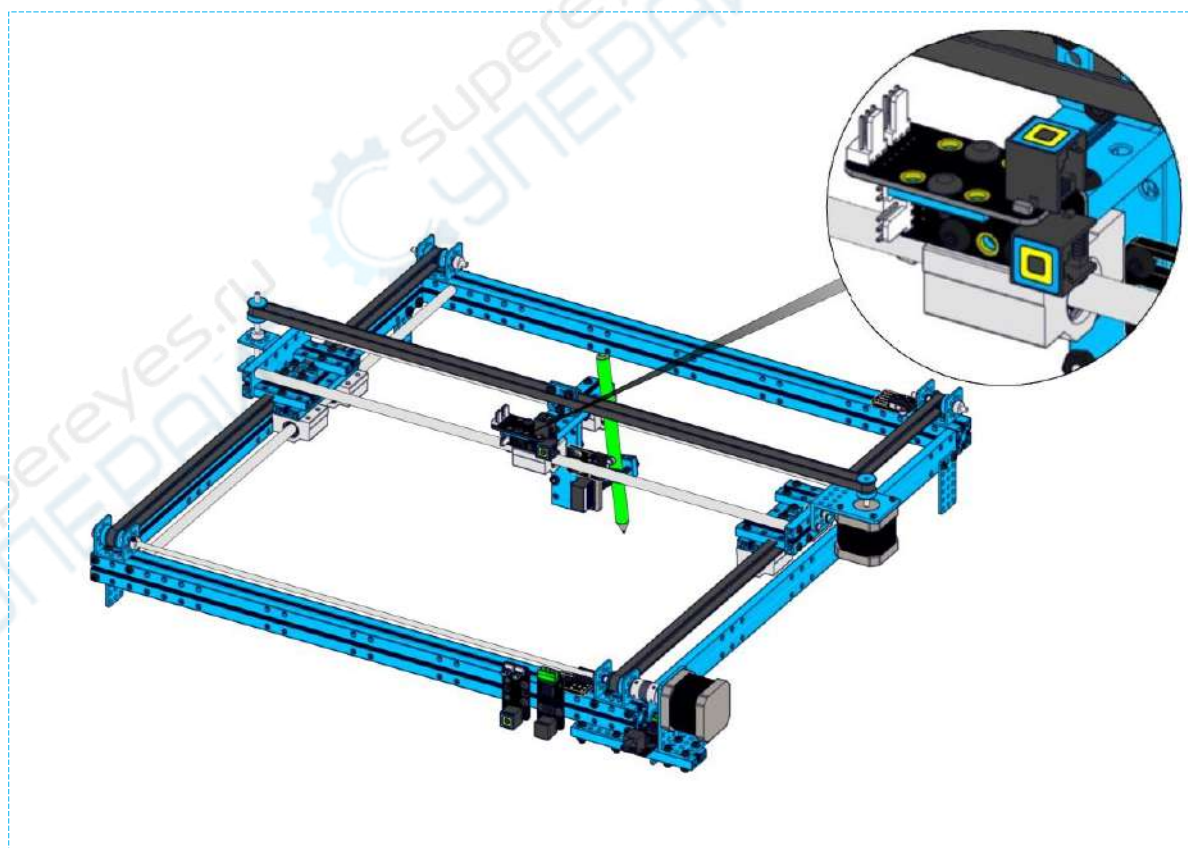
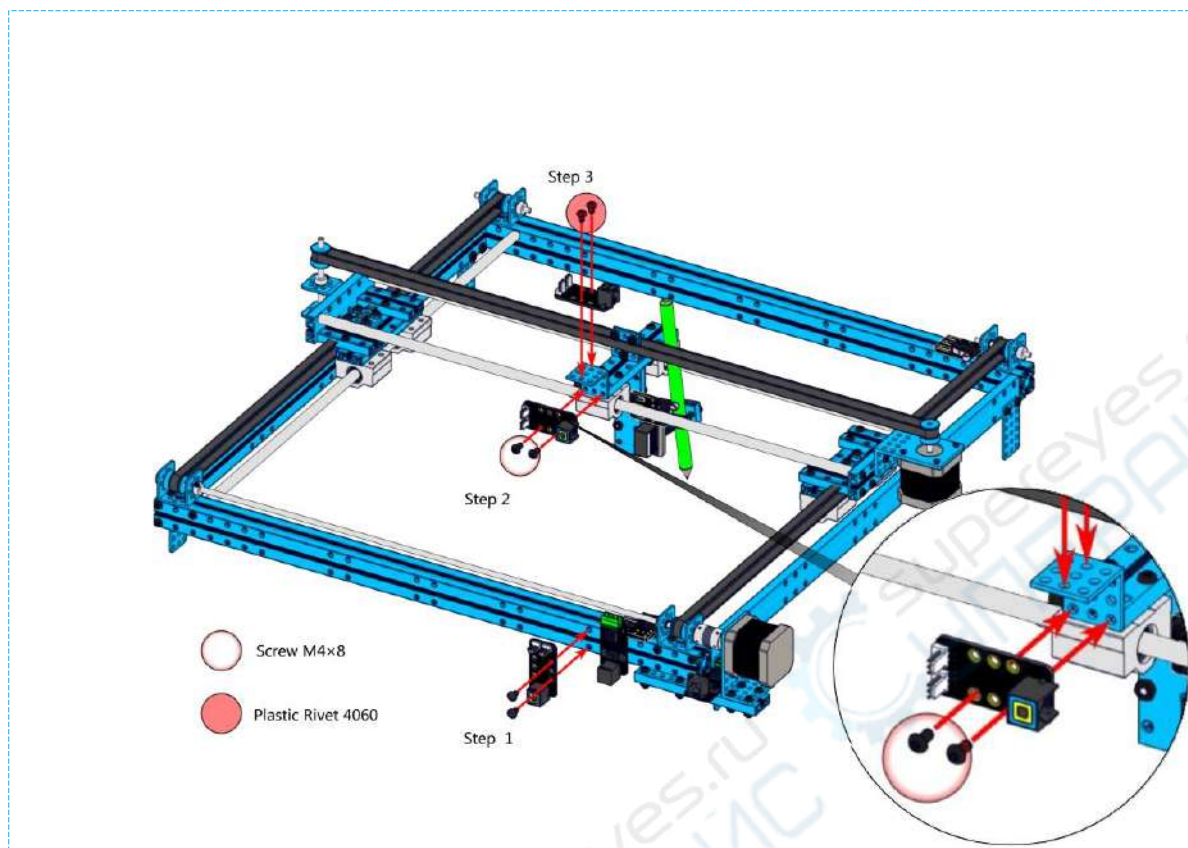
2×Screw M4×8



4×Plastic Rivet 4060



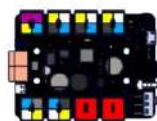




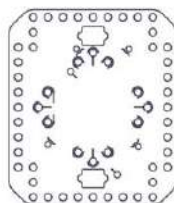


### Step 12

1×Me Baseboard



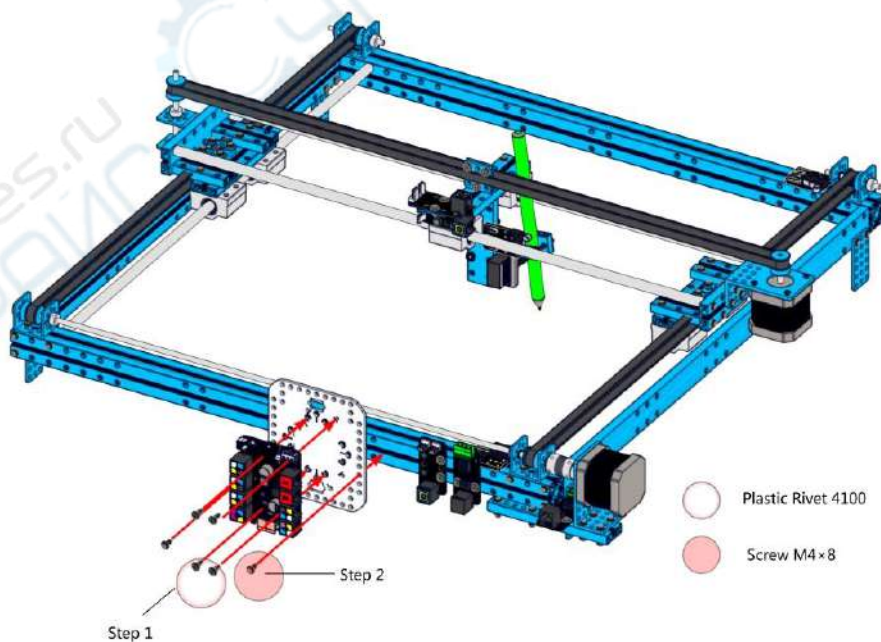
1×Base Board Plate

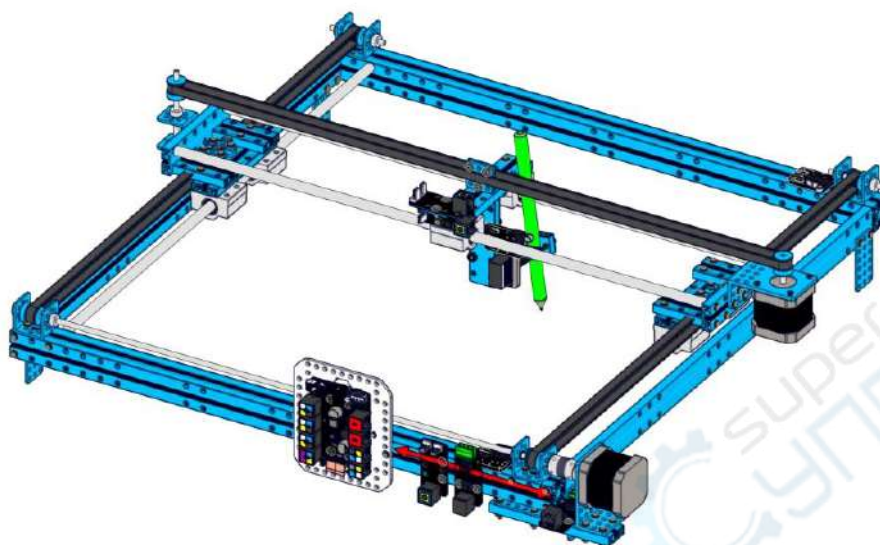


2×Screw M4×8



4×Plastic Rivet 4100





The distance from the edge  $142 \pm 3\text{mm}$

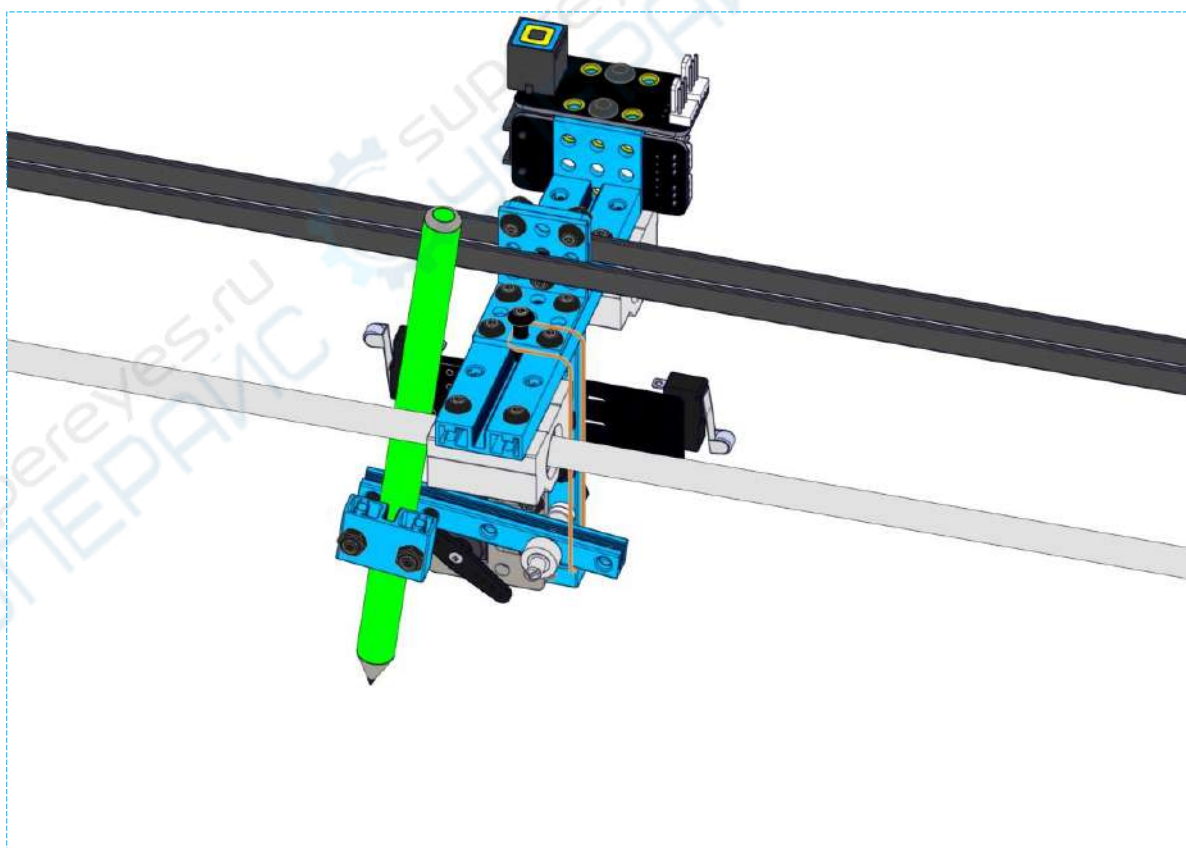
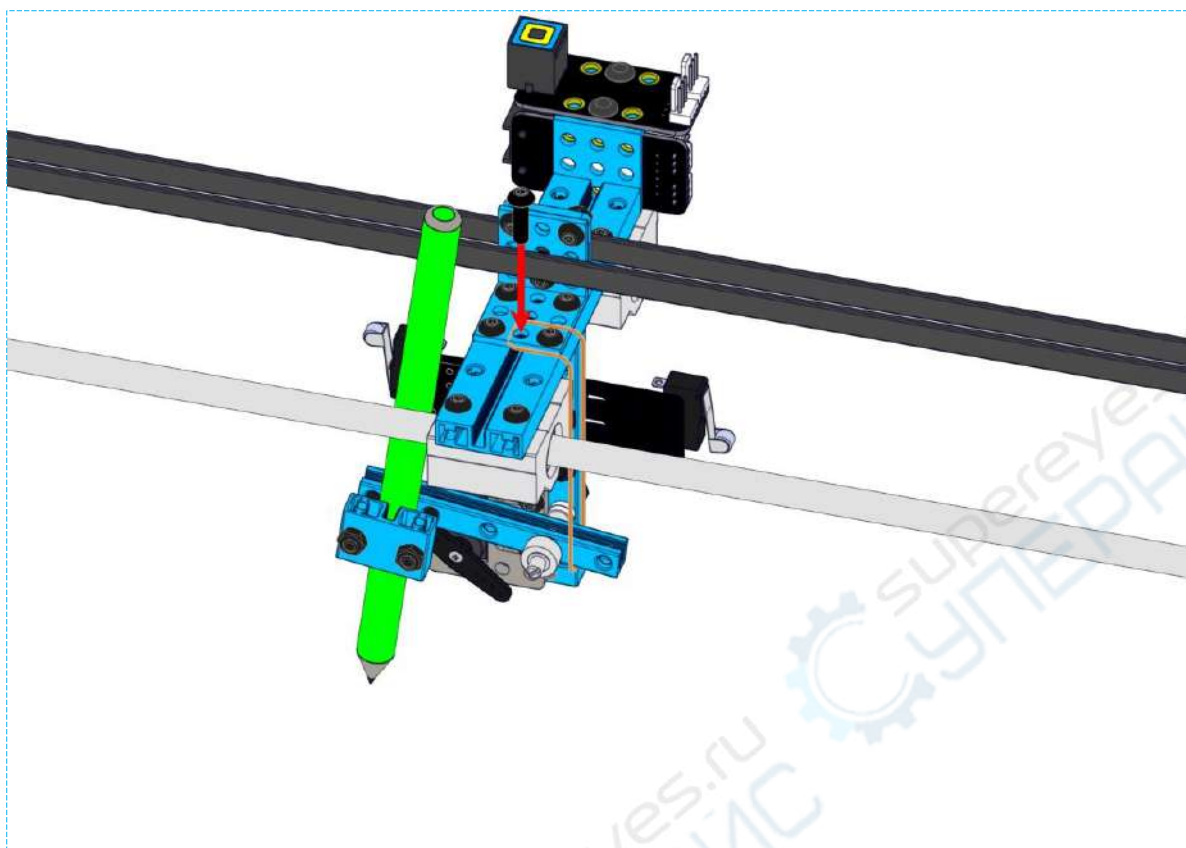
### Step 13

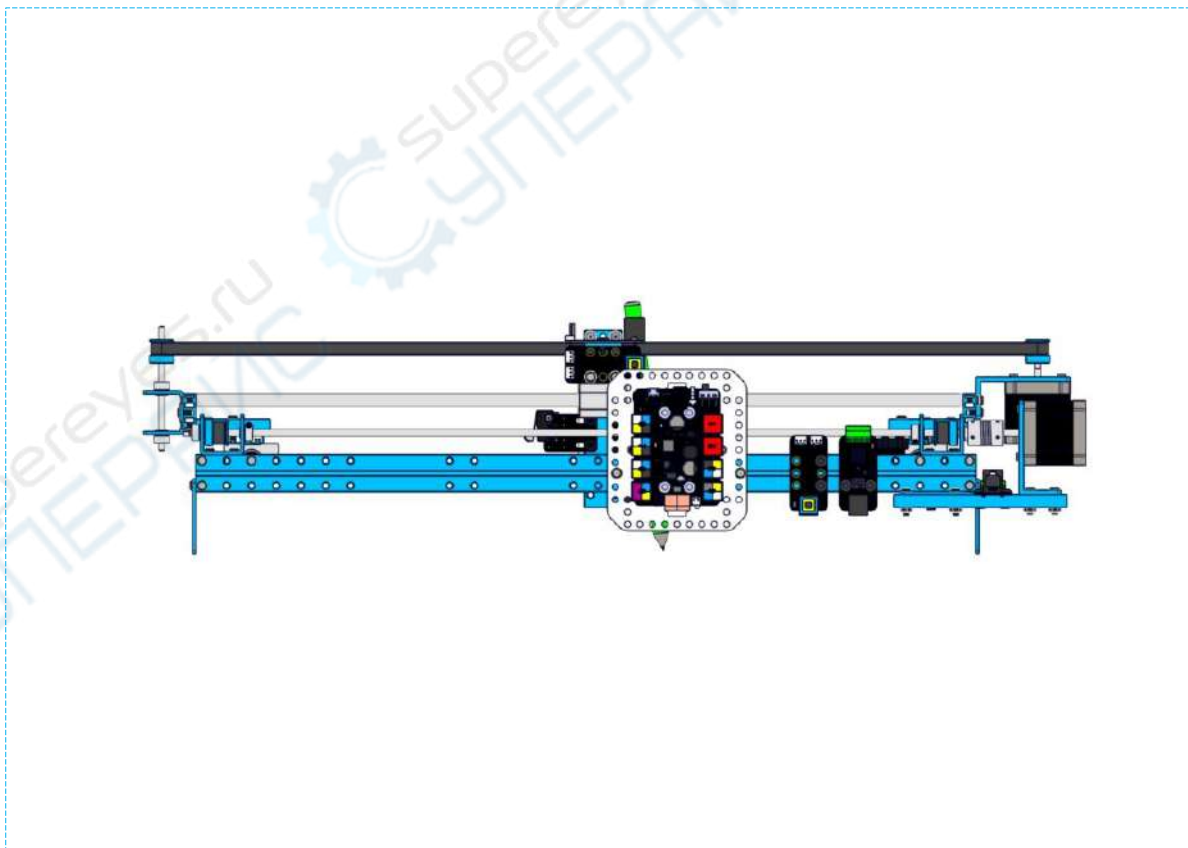
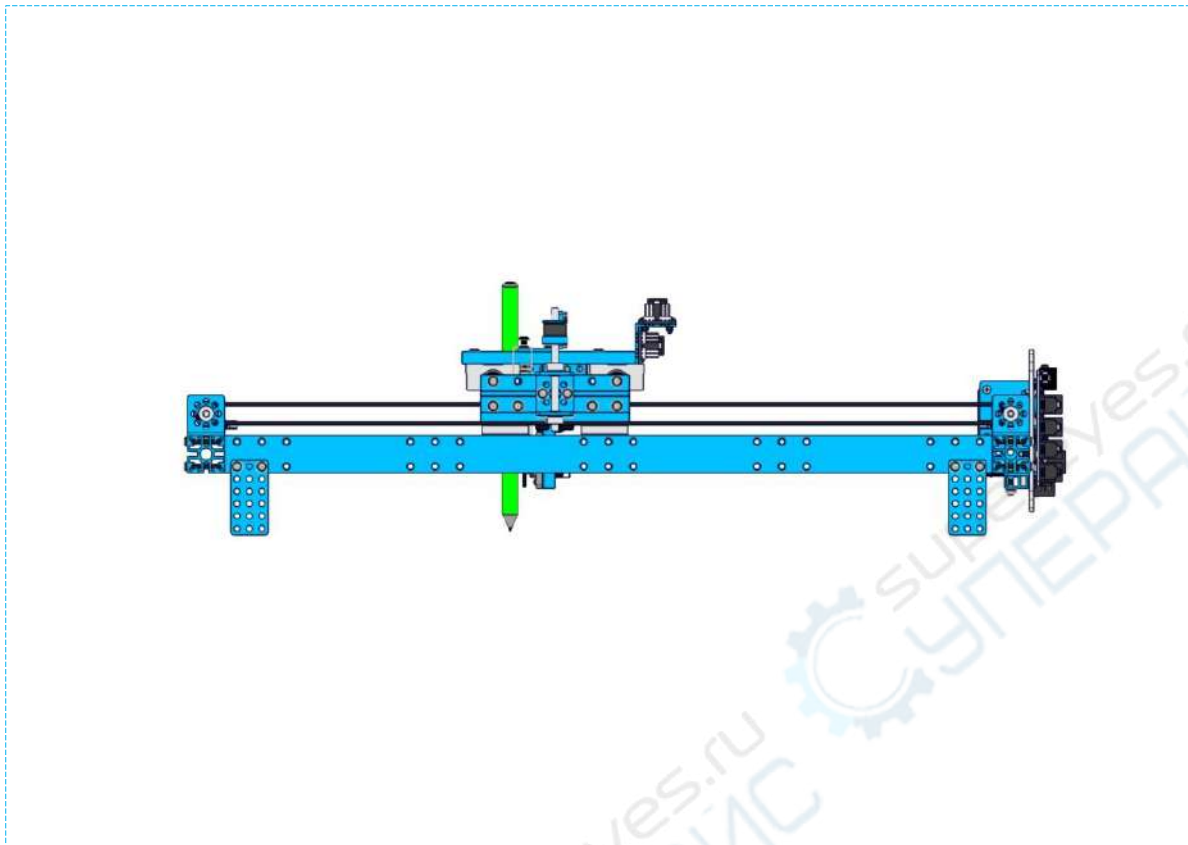
1×Screw M4×14

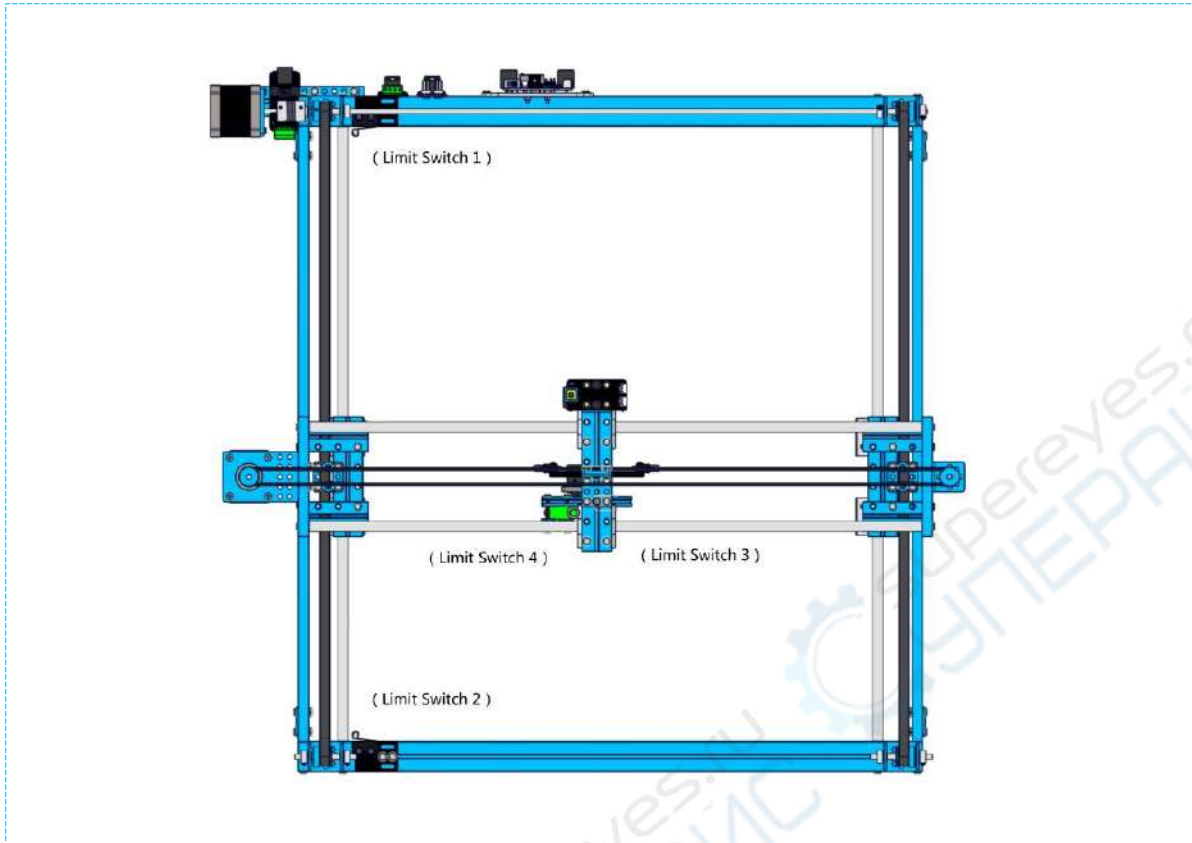


1×Rubber band

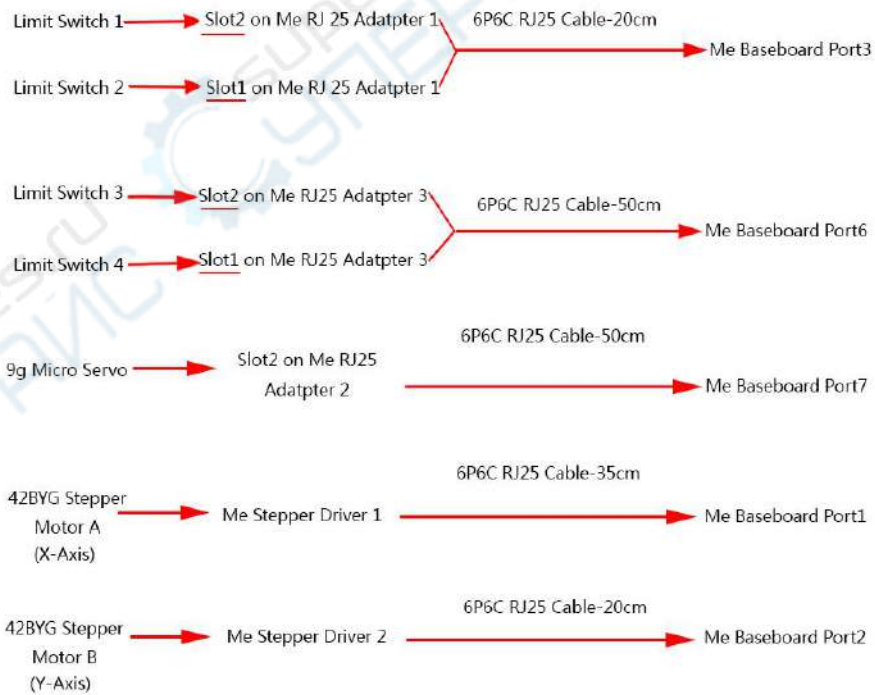




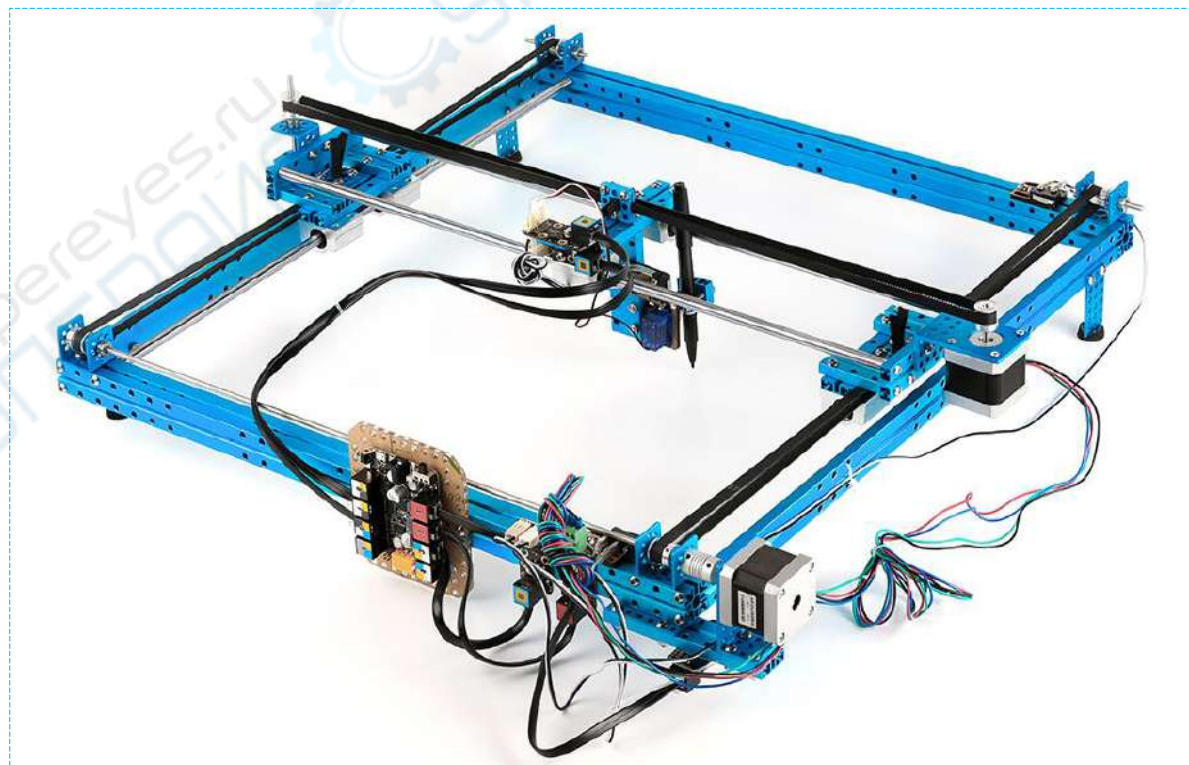
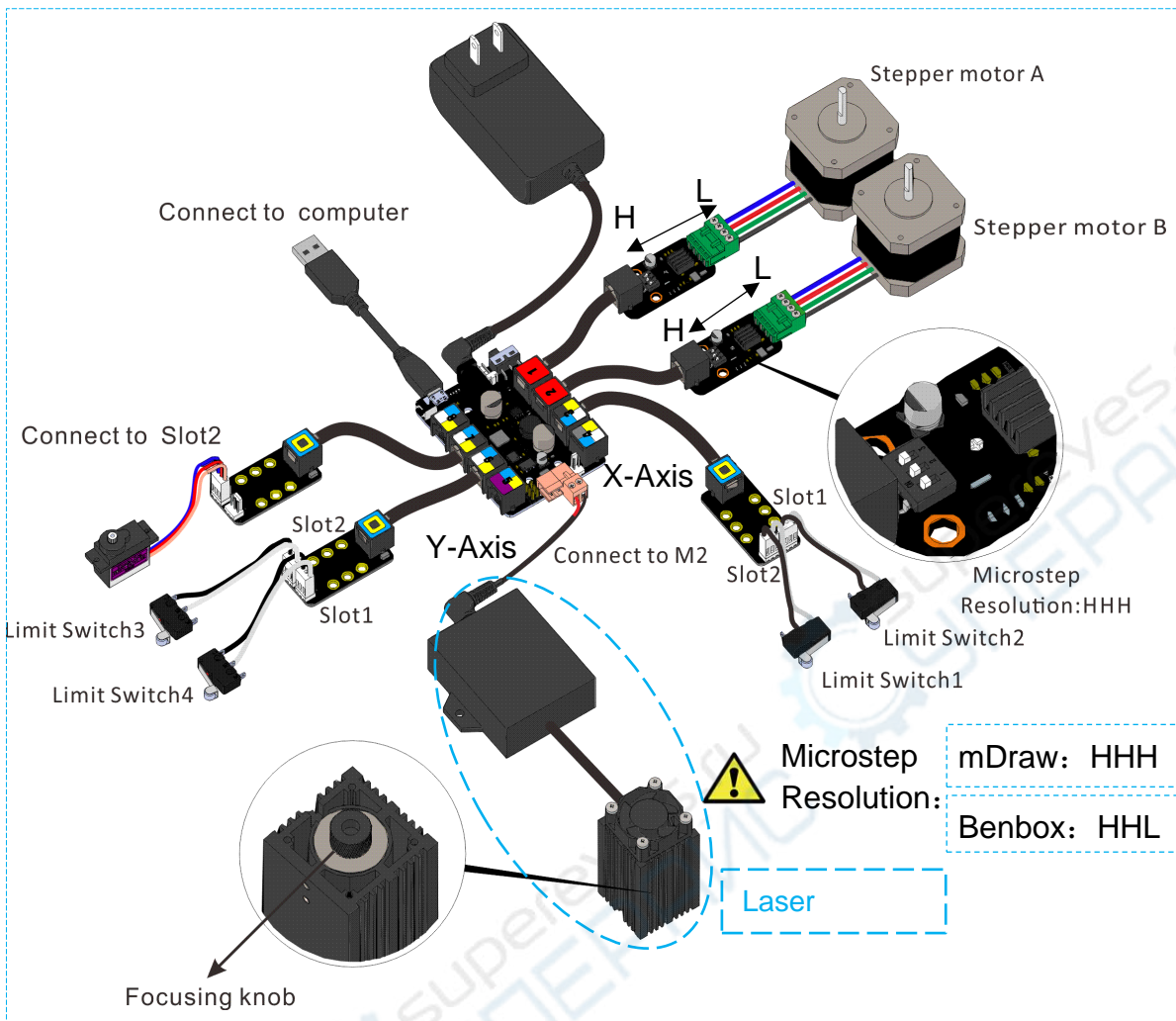




**Step 14**



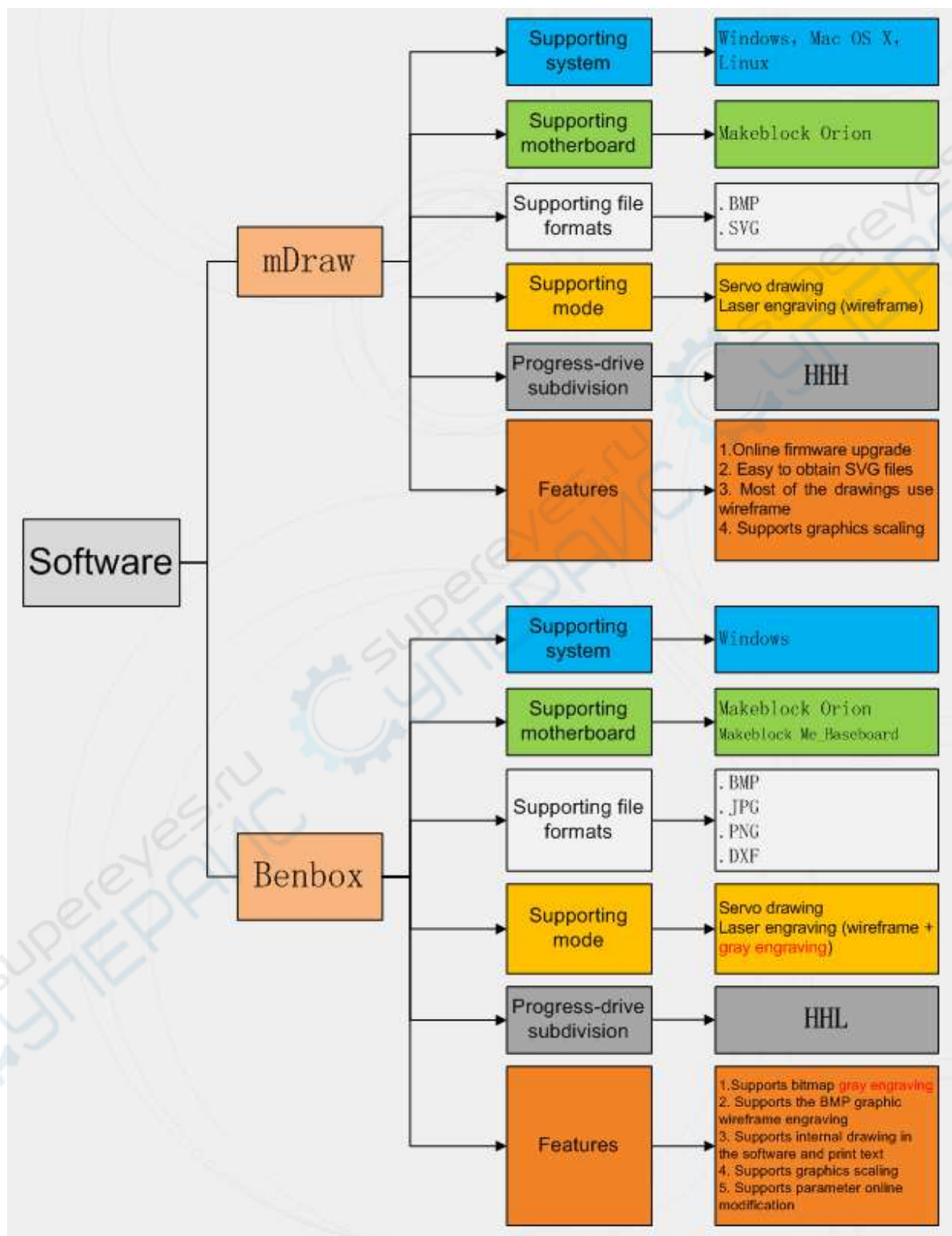




After you finishing this step, congratulations! You can move forward to the next stage – using mDraw or Benbox to control your robot. Here you go the introduction of software mDraw and Benbox.

## V. Software

XY plotter V2.0 can be controlled with two software: mDraw and Benbox.



Compared to above figure, the main differences between software mDraw and Benbox are: Benbox software supports laser grayscale engraving, while mDraw has relative poor function, with easy and simple the operation. Depending on your drawing requirements, please select the software on your own.

## VI. Use mDraw Software

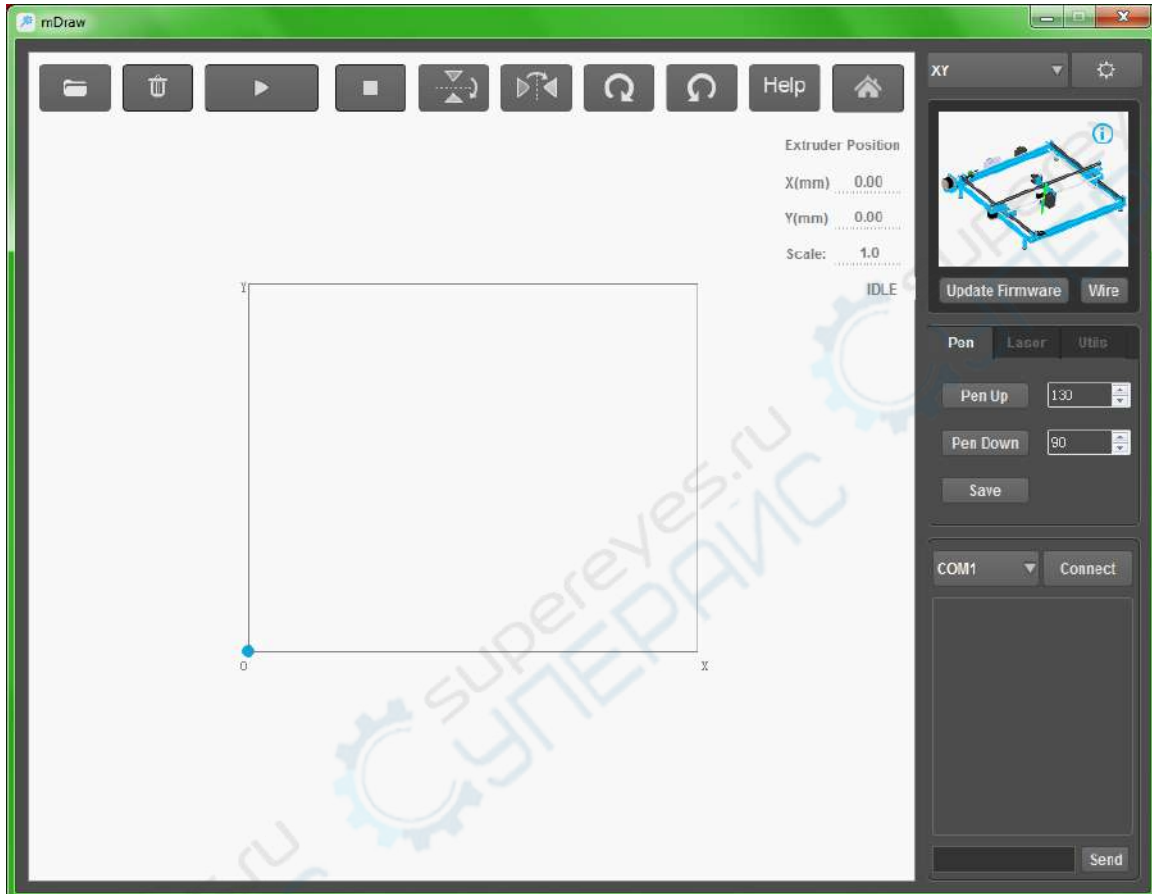
### a). Introduction to mDraw

mDraw is an cross-platform open-source software developed by Makeblock.

**Compatibility:** mDrawBot (mScara, mCar, mEggBot, mSpider), XY Plotter kit (servo mode, laser mode)

**OS Environment:** Windows, Mac, Linux

**Supported File Type:** \*.svg, \*.bmp (convert to \*.svg)



### b). Installation

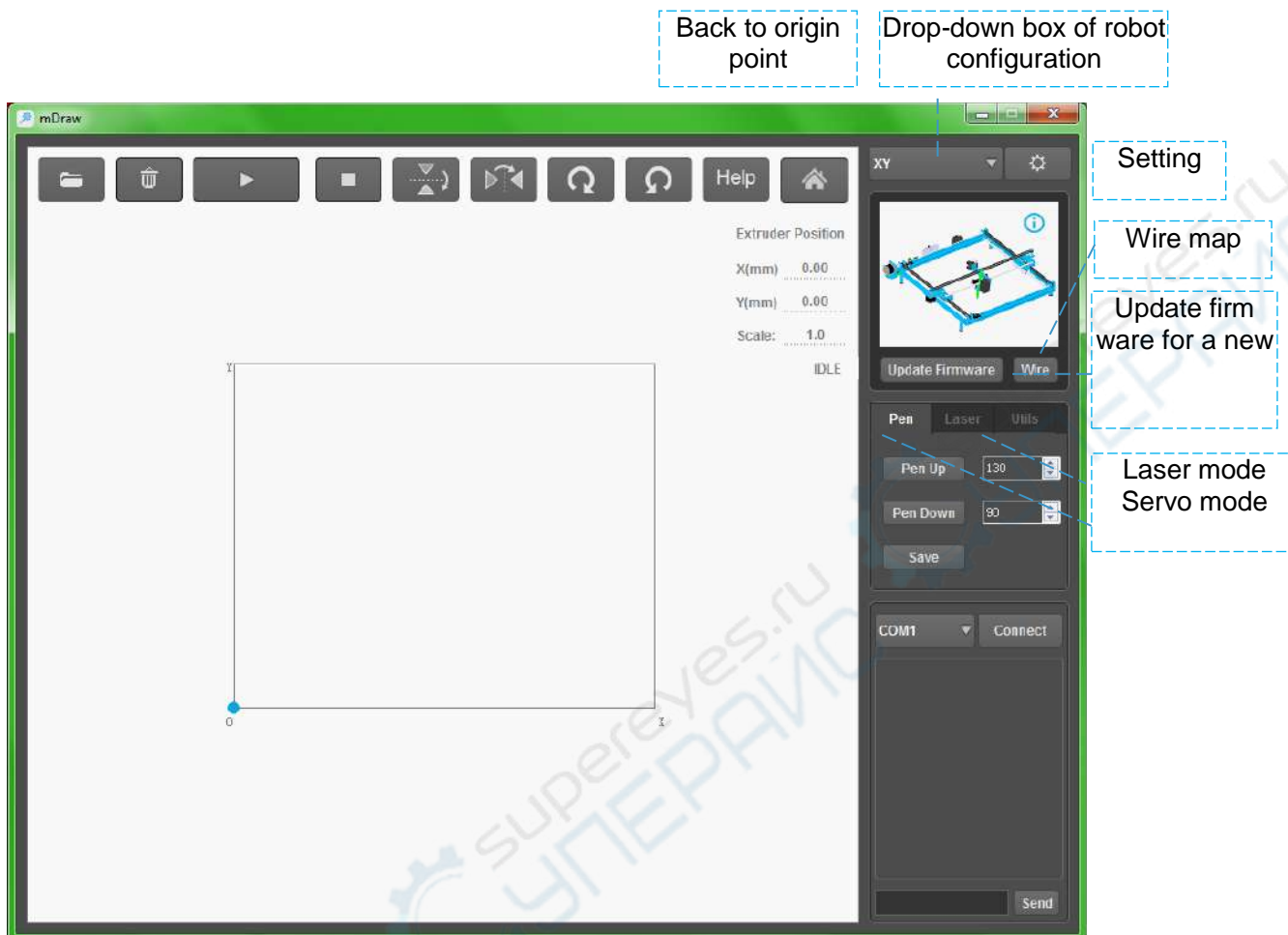
mDraw software is the green package, which does not need to install, and can run by directly opening it. (The download

address: <https://www.dropbox.com/s/dszcqaea3901403/mDraw%20V1.1%2020150709.zip?dl=0>)

icuc53.dll	2014/9/23 1:23	Application extens...	1,054 KB
libusb0.dll	2014/2/22 1:11	Application extens...	43 KB
mCar.hex	2015/7/4 10:49	HEX File	45 KB
<b>mDraw.exe</b>	2015/8/3 16:40	Application	8,633 KB
mDraw.log	2015/7/14 10:27	Text Document	1 KB
mEggBot.hex	2015/8/3 16:39	HEX File	33 KB
mkbitmap.exe	2013/2/19 22:47	Application	59 KB
mScara.hex	2015/7/4 10:50	HEX File	44 KB
mSpider.hex	2015/7/4 10:51	HEX File	36 KB

### c). Button Function in Main UI

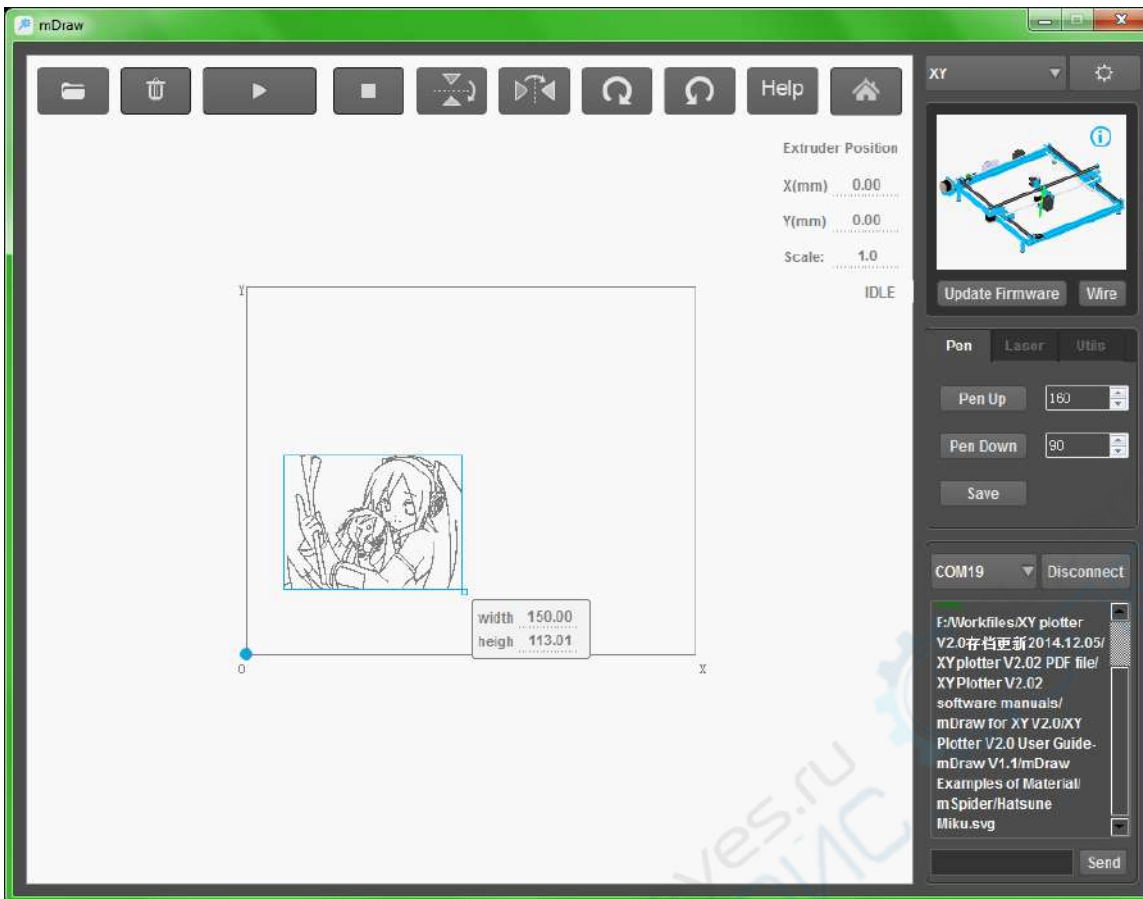
Click in the Drawing zone, robot will move accordingly. Drag the loaded SVG graphics in drawing zone could adjust the size and position of graphics. Size can be adjusted by inputting values in the right-down window directly.



Load in BMP file, mDraw will pop out a dialogue for converting SVG file. Follow the prompts, BMP file can be converted into SVG file.

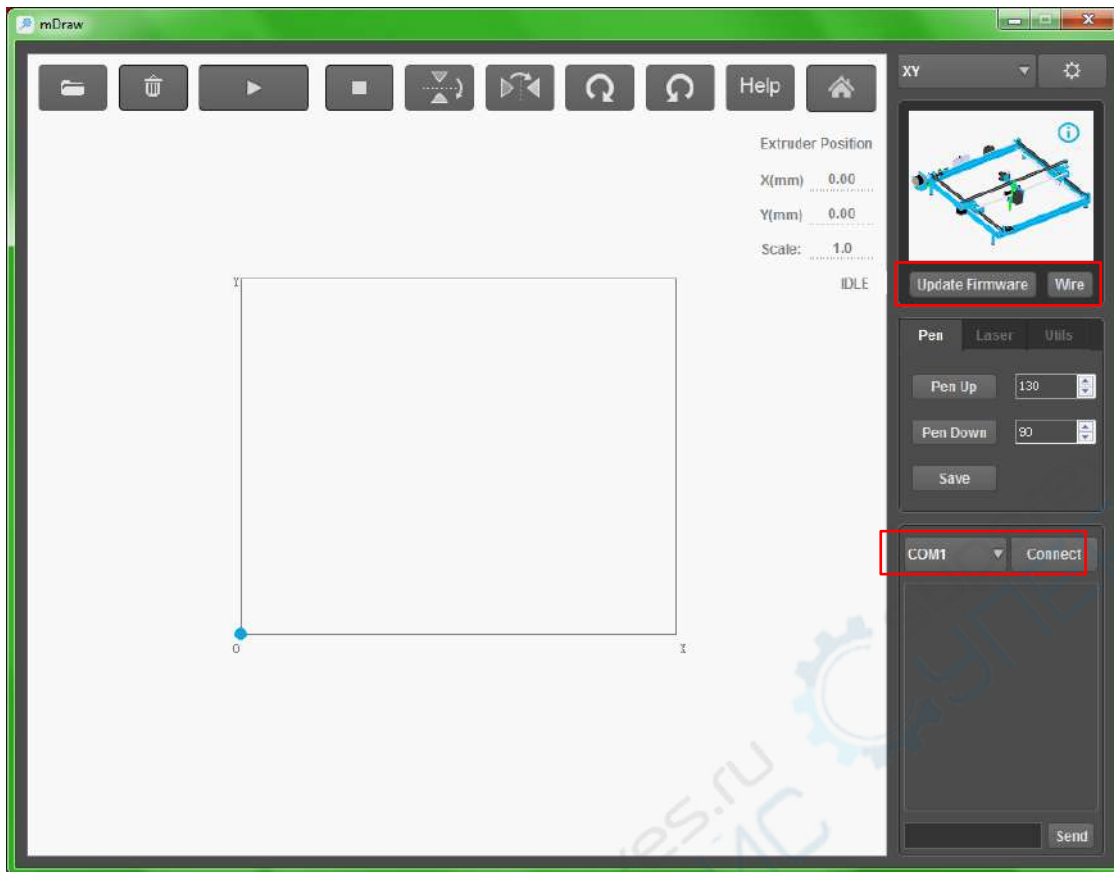
Load in SVG file(...\mDraw Examples of Material\mSpider\HatsuneMiku.svg), drawing is as follows.




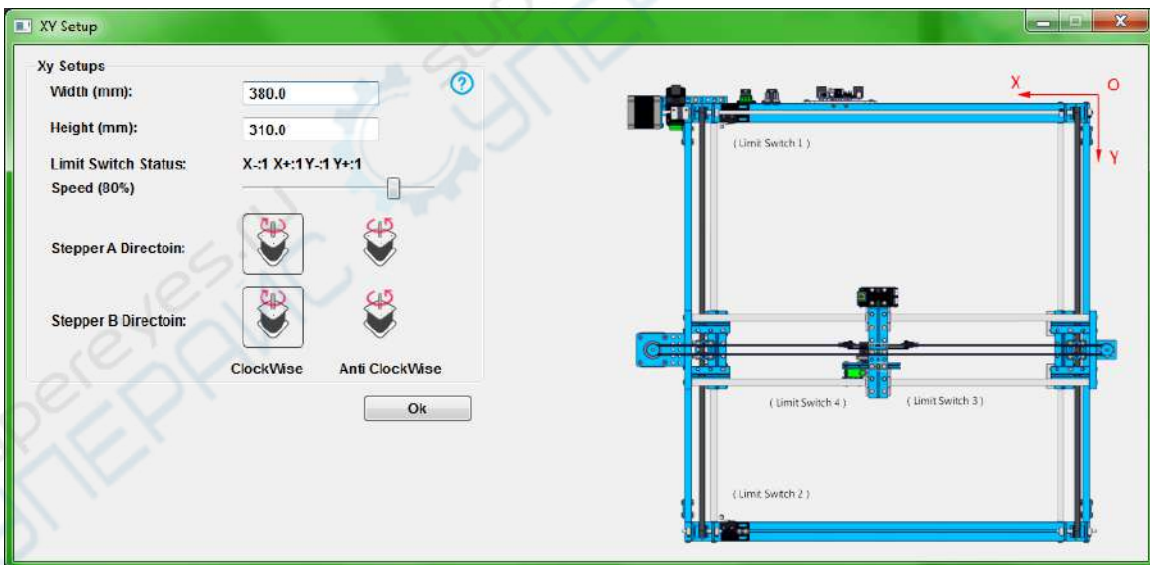


**d). Setting**

- a. Check that the wiring is correct. Use USB to connect computer (Note: If you use Bluetooth, please install the Bluetooth receiver driver on your computer, please use Port 5 for Bluetooth).
- b. Switch child software to XY, select the correct COM port and connect, and then click Burn firmware (Note: when you use for the first time, you need to click Update Firmware to upgrade and ensure the normal operation of XY Plotter V2.0.)

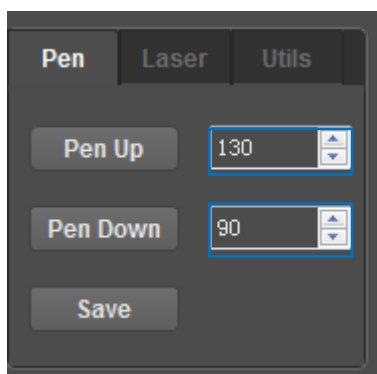
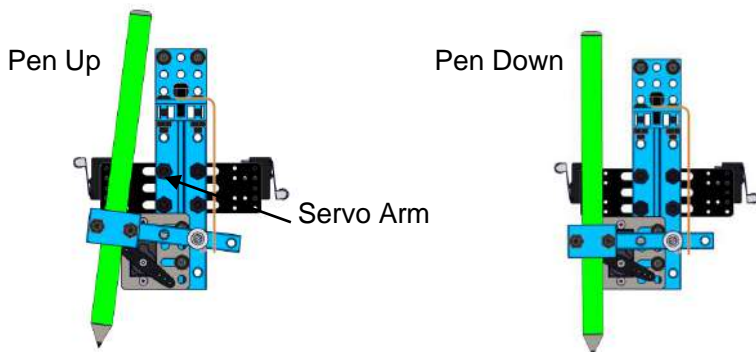


- c. Click button  to enter the setup window. Generally default value is fine, you can revise parameters per your own necessary.



- d. Click Pen button to switch to the servo pattern, and then calibrate Pen Down and Pen Up parameters.

Input value of Pen Up and Pen Down in mDraw, and observe the movement of mDrawBot. If the feedback is correct as below, that means your settings are correct.<sup>1</sup>



Note: the default value here is only for reference. In actual use please apply the value you got after adjusting the servo arm.

- e. Please put the imported graphics files in the rectangular area, and will show abnormal if it exceeds the scope of the drawing.
- f. Click icon before making the drawing, and reset to zero.
- g. When everything is ready, you can import graphics in SVG format (... \ mDraw Examples of Material \ mSpider \ HatsuneMiku.svg), adjust the position. Set servo pen up parameters shown in the upper right, then click Start to start drawing. The rendering results are shown as below

<sup>1</sup>If the servo arm cannot reach to below angle, please uninstall the servo arm to re-adjust the installation angle. Please adjust the tightness of rubber band if necessary.



## VII. Use Benbox Software

### a). Benbox features introduction

The current Benbox software version only supports Windows systems. It also supports servo mode and laser mode. The prominent feature contains supporting gray engraving, and you can edit graphics and text within the software.

## VIII. Software downloading.

Download address for software package (online download

address: <https://www.dropbox.com/s/32fi2imemn4tpw0/benbox-3.7.99-20150627.zip?dl=0>)

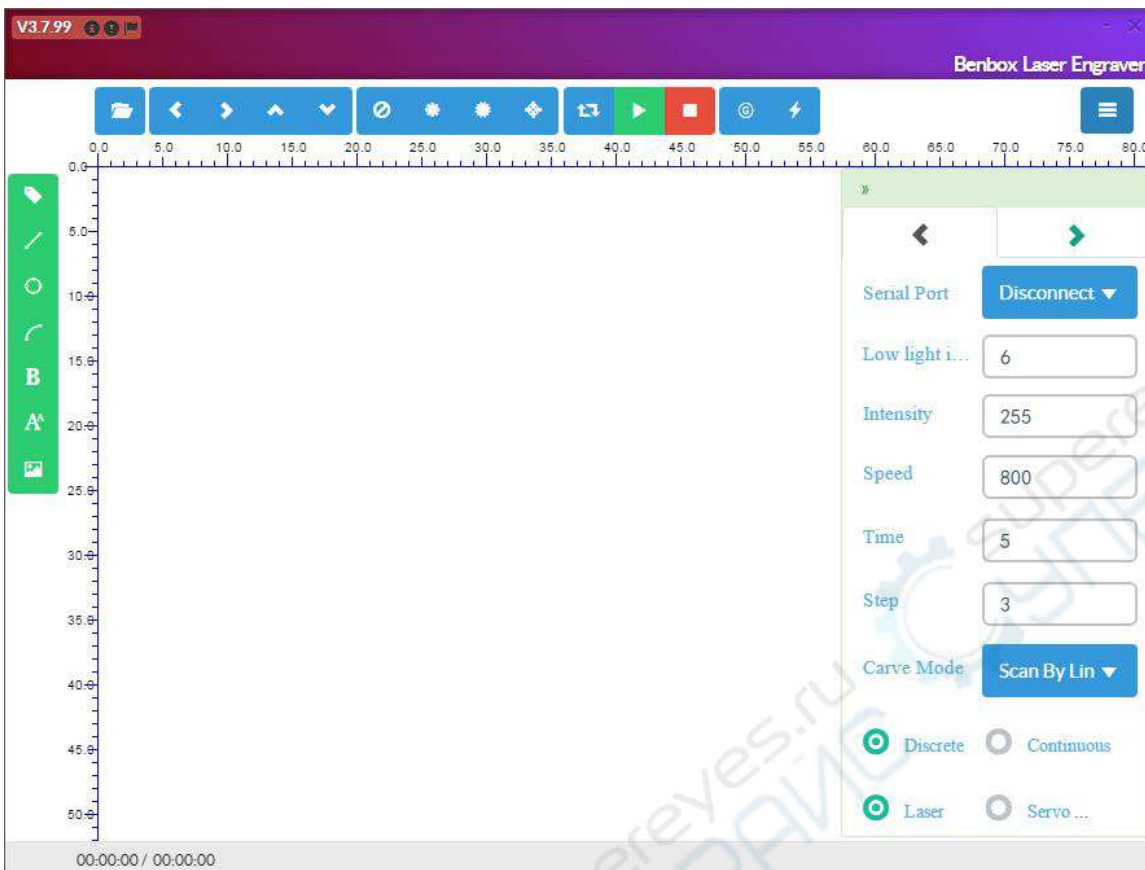
Name	Date modified	Type	Size
benbox-3.7.99-20150627.zip	2015/9/10 15:57	好压 ZIP 压缩文件	36,243 KB
mDraw V1.1 20150709.zip	2015/9/23 16:50	好压 ZIP 压缩文件	23,315 KB

### a). Benbox software installation

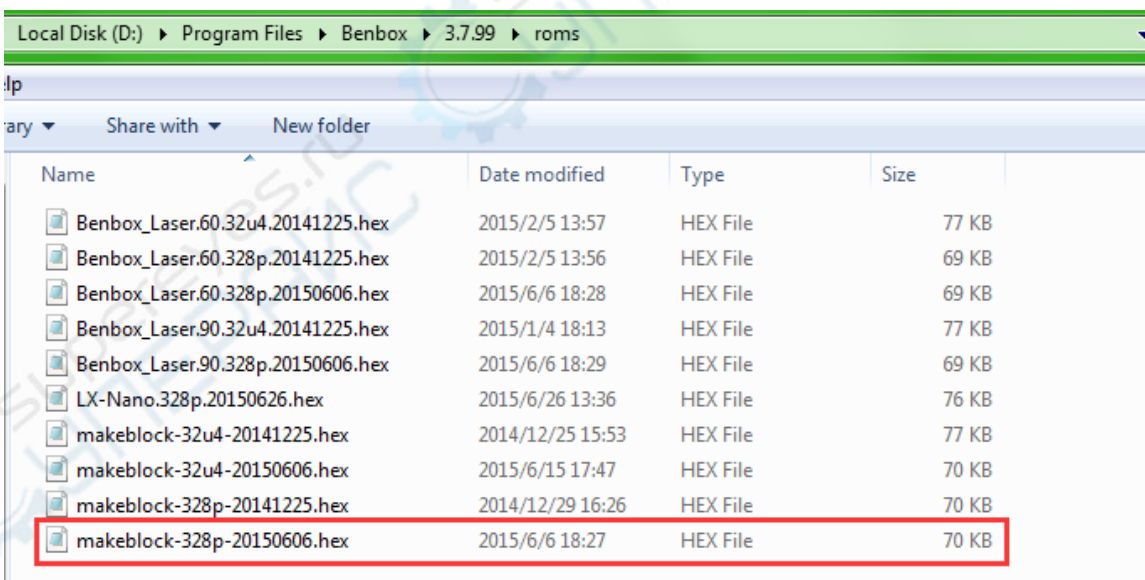
Name	Date modified	Type	Size
benbox-3.7.99-20150627.exe	2015/6/27 17:24	Application	36,318 KB



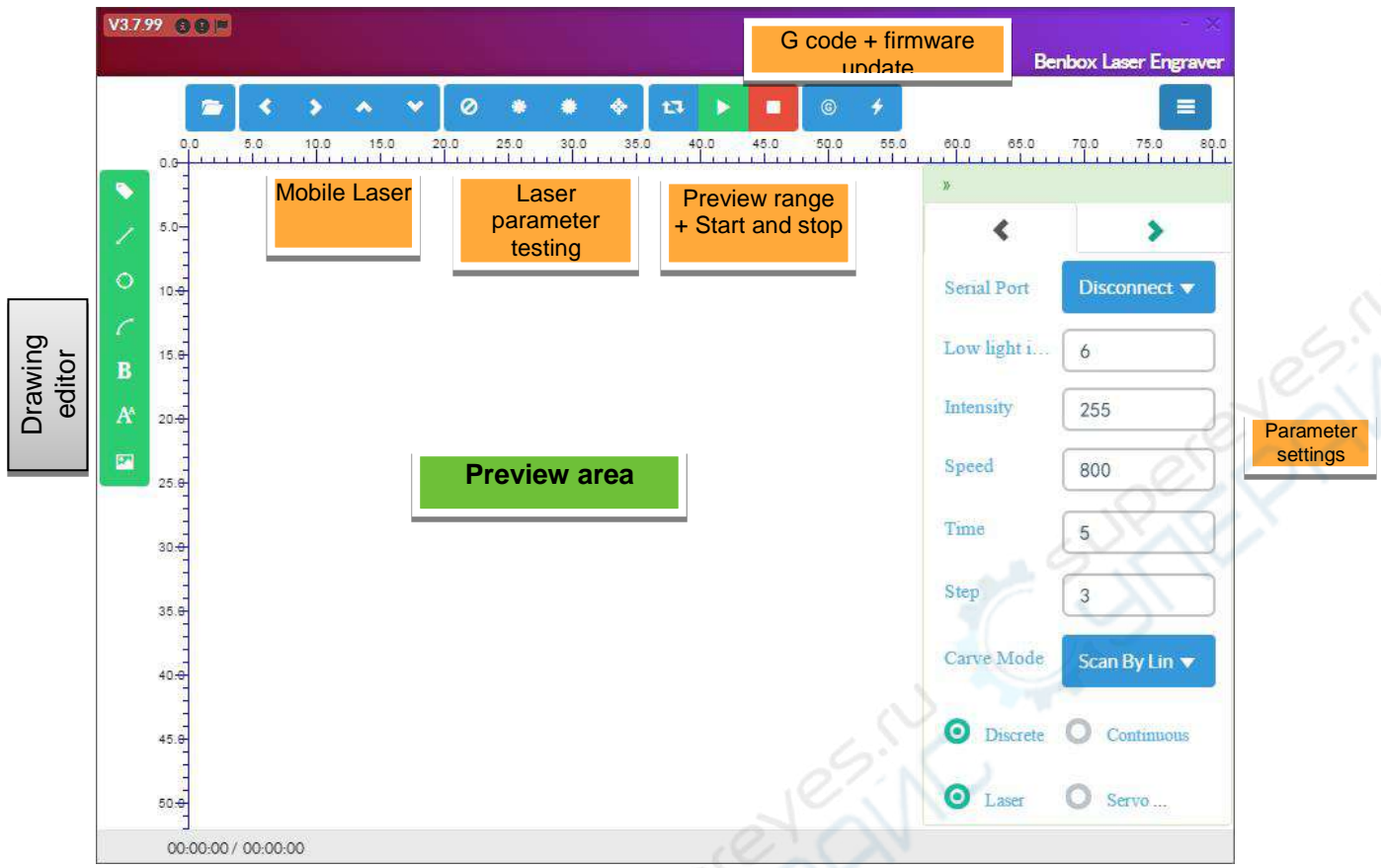
- (1) Follow the prompts to install the software, the interface is shown as below after completing the installation.



- (2) The firmware used by Makeblock Orion motherboard is located under the installation directory address. We will use it later



### b). Main interface function



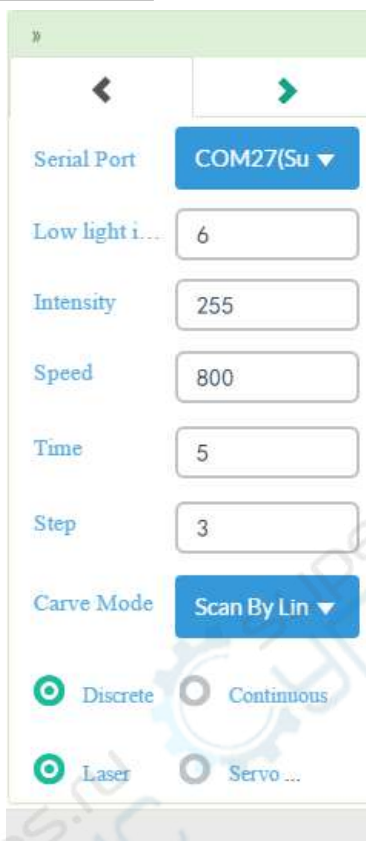
## IX. Meaning of each parameter in the Benbox software.

### a). Parameter setting area

1. The low light intensity: minimum is 0, maximum is 255. Under normal circumstances, the default size is 16.
2. The laser intensity: minimum is 0, maximum is 255. Under normal circumstances, the default size is 255.
3. The step speed (mm / min): Stepping speed. The minimum is 0 and the maximum is 3000. If the vector drawing speed sets to 1500-3000, the waiting time for penup and down can be set to 50-250ms.
- 4.Wait time (ms): waiting time for penup and down.
5. Drawing mode: progressive scan, Z character scanning, contour scanning (Note: contour scanning only supports BMP format and DXF format)
6. Non-continuous, continuous, laser and servo mode (The differences among above modes are nuances, and you can understand its functions after you have tried multiple times)

### b). Drawing editing area

1. Define origin location
2. Draw straight line
3. Insert round
4. Insert arc
5. Insert bezier curve
6. Insert text
7. Inserting graphic
8. For the inserted graphic elements, you can edit them after selecting, and use Delete key to delete the graphic elements.
9. Click Purple box in the upper right corner of inserted graphics to pop up the editing dialog box of graphics, and perform inverting color and direction operation, adjust color and weathering.













### Image



### c). Operating Area



1.  Open file: the supporting bitmap file formats are JPG, PNG, GIF, BMP and other formats; the supporting vector formats are DXF, which are vector drawing mode. (Notes: BMP format also can recognize the outline, and the vector drawing mode can be used.)
2. : Move the pen holder up and down and right and left, but the moving distance shall set the number of stepping
3.  Pen up rendering preview
4.  Pen down rendering preview
5.  Servo parameter setting test
6.  Walking frame, which is used to preview and test the size and position of drawing image
7.  Start/Pause drawing
8.  Stop drawing
9.  G-code control, and ordinary users will not use it
10.  Upgrading firmware

### d). Preview area

1. You can view engraved graphical and progress of engraved graphical in preview area in real-time
2. **Zoom up and down the graphics with scroll wheel. Click middle mouse button to restore the default position of graphics.**
3. **You can zoom in and out the graphic by dragging the graphic.**
4. Left-click anywhere in the graphic and locate the drawing origin. **The default processing origin is located at the top left corner**
5. When the machining origin is the motherboard power button, the stopping position of the laser is the machining origin. If you do not change the default processing origin, the origin of the machine is processing origin.



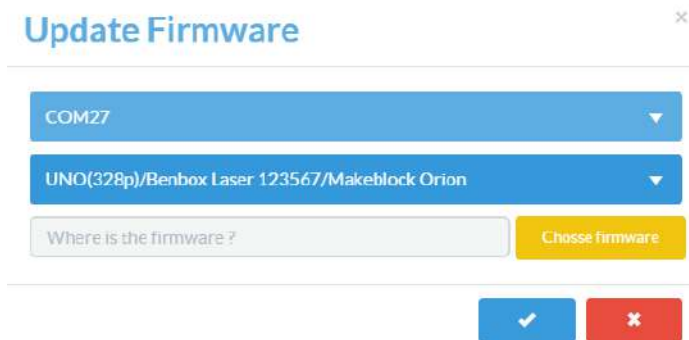
## X. Software initialization setting

### a). Check connections

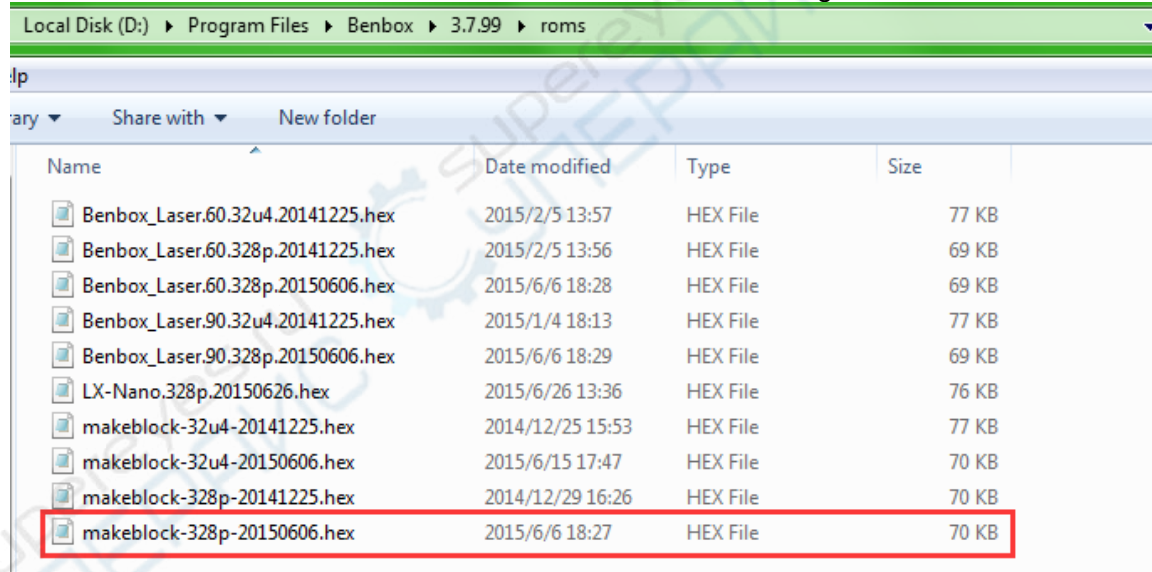
1. **Refer to the electronic circuit connection section.** Note: Two stepper drives are subdivided into: HHL

### b). Upgrade the firmware (Require to burn when using for the first time)

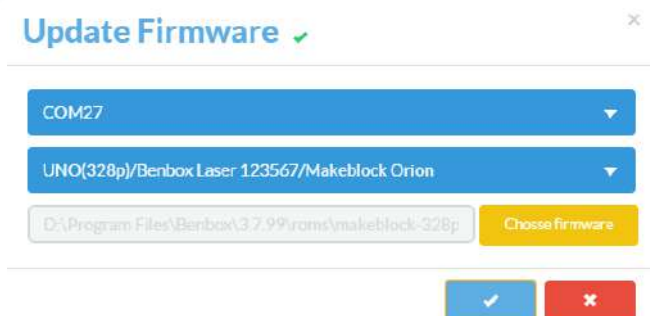
1. Click icon to display the following interface





2. Select the correct serial port, here is COM27.
3. Select board model. Makeblock Orion motherboard chip is UNO (328p) [If you are using a MakeblockMe\_Baseboard motherboard, the chip model is Leonardo (32u4)].
4. Select the firmware, enter the installation address to search [my installation address is the D drive, so the location of firmware address is D drive. D:\Program Files\Benbox\3.7.99\roms].



5. Click to begin updating the firmware. If update success symbol appears, it indicates that the update is successful. (If it fails, check the serial port)



**c). Calibrate the setting of pen-agency and pen up and down parameters**

1. Move the pen to the right position, open the motherboard power.
2. Click the button  to enter the parameter setting area. Make the setting according to the following parameters, and click  Servo ... to enter the Servo mode.



The screenshot displays a control panel with the following settings:

- Serial Port: Disconnect
- Pen Up: 30
- Pen Down: 90
- Speed: 1500
- Time: 30
- Step: 3
- Carve Mode: Outline
- Radio buttons: Polyline, Curve (selected), Laser, Servo ... (selected)

3. Enter 0 in the Pen Up (or 30 or 60, **the size range is 0-180**), and then click to observe whether the pen is lifted off the paper I've found that the value 0 meets the penlift requirements, so it is set to 0.
4. Similarly, Enter 0 in the Pen down (or 30 or 60, **the size range is 0-180**), and then click to observe whether the pen is located under the paper, I've found that the value 60 meets the requirements of placing pen, so it is set to 60.
5. Click to test the result of pen up and down. If you find that the pen up and down do not meet the requirement, please change the parameters. While the servo response time may be extended, it can be set to 50-250ms. (  -  )

Pen Up

Pen Down

Servo Arm

Paper

---

Serial Port: COM19(Su)

Pen Up:

Pen Down:

Speed:

Time:

Step:

Carve Mode: Outline

Polyline  Curve

Laser  Servo ...

Pen Up

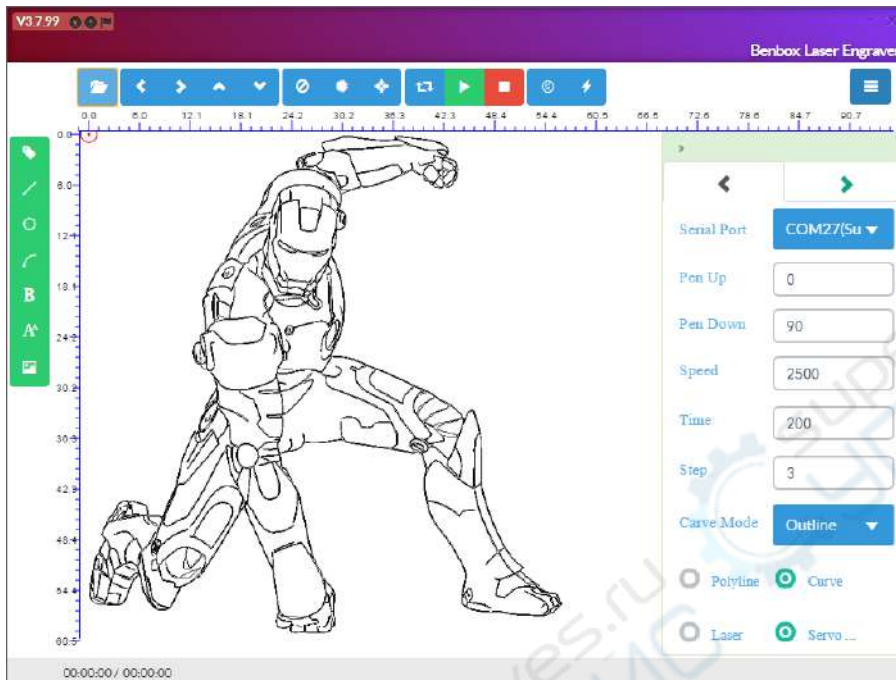
Pen Down

Servo parameter setting test

Note: the default value here is only for reference. In actual use please apply the value you got after adjusting the servo arm.

## XI. Vector DXF drawing example - Iron Man Drawing

1. Open Directory ... and find Man.bmp file in the \Laser upgrade pack download\BenBoxExamples of material, and set the following parameter. The PenUp and PenDown are used for reference, the value for each machine will be different. (Note: please use Outline )



2. Check the power, penup setting, serial port settings, click ↻ function, observe drawing range and adjust the position.
3. Click ▶ to start drawing.
4. The drawing renderings are shown as below.





## XII. FAQs

Q1. Why my PC can't install the driver of the Makeblock Orion successfully?

A: If your PC can't install the driver for Makeblock Orion automatically, please manually download it and install.

Download link: [http://learn.makeblock.cc/driver\\_installation/](http://learn.makeblock.cc/driver_installation/)

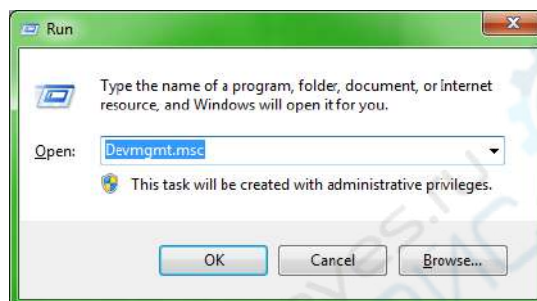
Drivers Download:

[Windows] [Driver Installer](#)

[Mac OSX] [Me Baseboard](#) / [Makeblock Orion](#)(for Yosemite User:link) / [Arduino Uno](#)

To check whether the driver has been installed successfully:

1. Open Run dialog (win + r)
2. Input `devmgmt.msc` to open the Device Management.



3. Check the "COM X" (X=2.3.4...). If the driver hasn't been installed successfully, you will see a question mark or an exclamatory mark.



Question 2. Why control software sometimes fails to respond or crash?

A: Currently supported platforms contain WINDOWS system. If the software crashes or fails to respond, please restart the software. For image that its resolution exceeds 96PPI, the software will respond very slowly or does not respond, please use image processing software to reduce the resolution. If the image is too large, it will also cause the software to respond very slowly, please try not to draw the bitmaps with large size. If you need to draw relatively large or complex images, please be patient to wait for software response, and its response time is 10min-30min. The largest drawing area of this drawing machine is 310mm x 390mm.

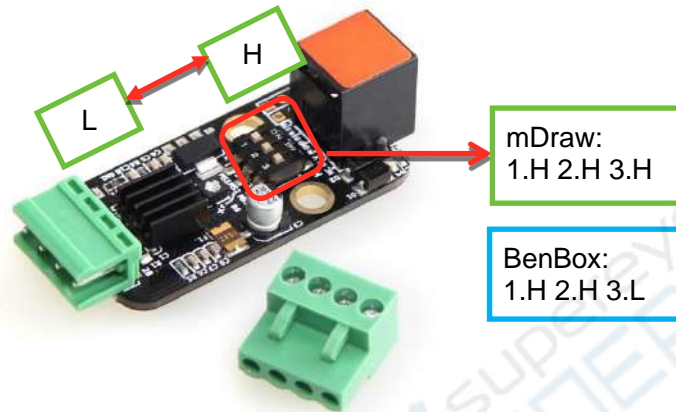
Question 3. Why it takes much longer time to open DXF?

A: Because the algorithm is more complex, and curve resolving will take much longer time, so it takes a long time to open the file, please be patient until progress bar is finished.

Question 4. What is the default setting of mDraw and BenBox software stepper driver module?

A: The following settings will ensure better accuracy, and the size of setting drawn graphics is the actual graphics size.

	1	2	3
Full speed	L	L	L
1/2 Subdivision	H	L	L
1/4 Subdivision	L	H	L
1/8 Subdivision	H	H	L
1/16 Subdivision	H	H	H



Question 5. How to download data and 3D models?

Answer: You can get the appropriate information download address via visiting link interface of our official website [www.makeblock.cc](http://www.makeblock.cc).

1. <http://learn.makeblock.cc/>
2. <http://bbs.makeblock.cc/forum.php>
3. <https://grabcad.com/makeblock-1/projects>



Question 6. How to share your work?

Answer: You can upload and share your work here.

<http://forum.makeblock.cc/category/showcase>

Question 5. how to contact us?

Answer: You can contact our team via the following contact method.

[www.makeblock.cc](http://www.makeblock.cc)

[https://www.facebook.com/Makeblock?ref=br\\_tf](https://www.facebook.com/Makeblock?ref=br_tf)

<https://plus.google.com/102486511775733872783/posts>

<https://twitter.com/Makeblock>

<https://www.youtube.com/channel/UC8Du3ES62iGgeckG4W9jC9w>

Makeblock! Construct Your Dreams!



### XIII. Thanks!

Thanks to the software provided by our Partner Benbox companies, we can quickly launch this XY plotter V2.0 platform-based laser engraver upgrade pack. We welcome all companies and individuals to developing products in our platform, including software, electronics, mechanical parts, kits etc. If you have any good ideas, please contact us.

Our E-mail: [support@makeblock.cc](mailto:support@makeblock.cc)

Makeblock, Construct Your Dreams!

