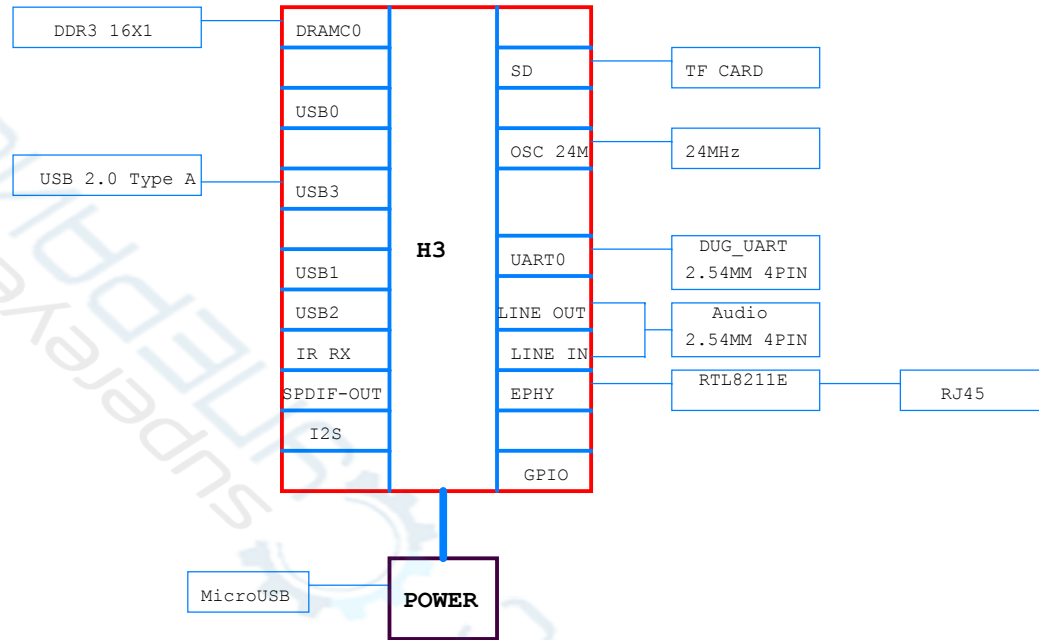


ZeroPi

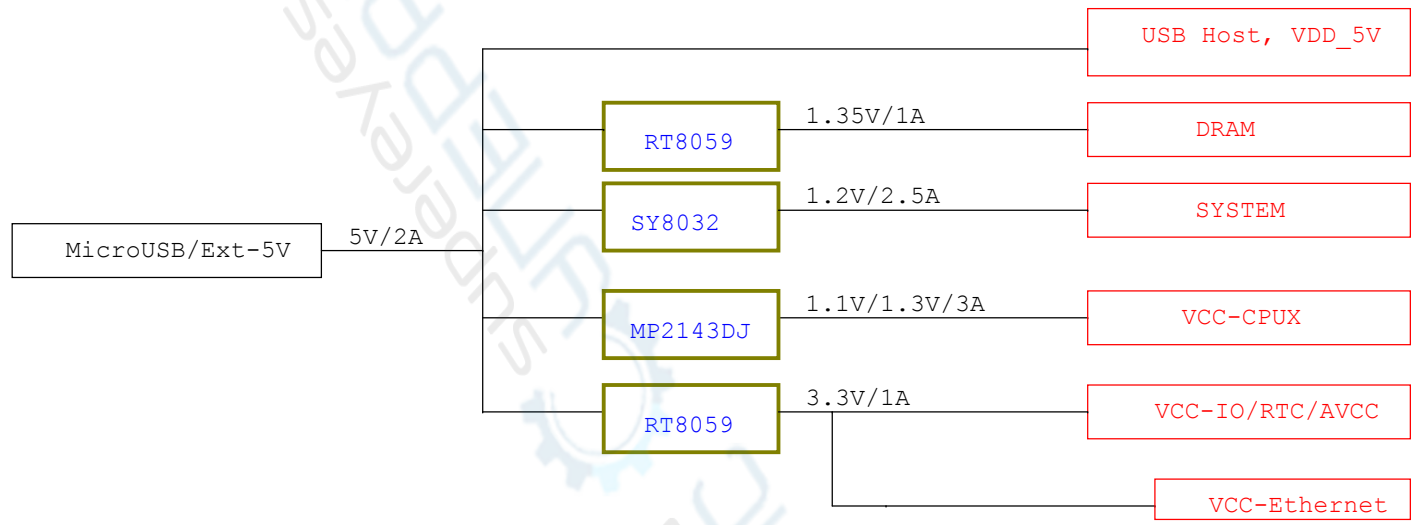


ZeroPi		
Size A3	Document Number 01:Title	Rev v1.0 1908
Date:	Monday, July 29, 2019	Sheet 1 of 11

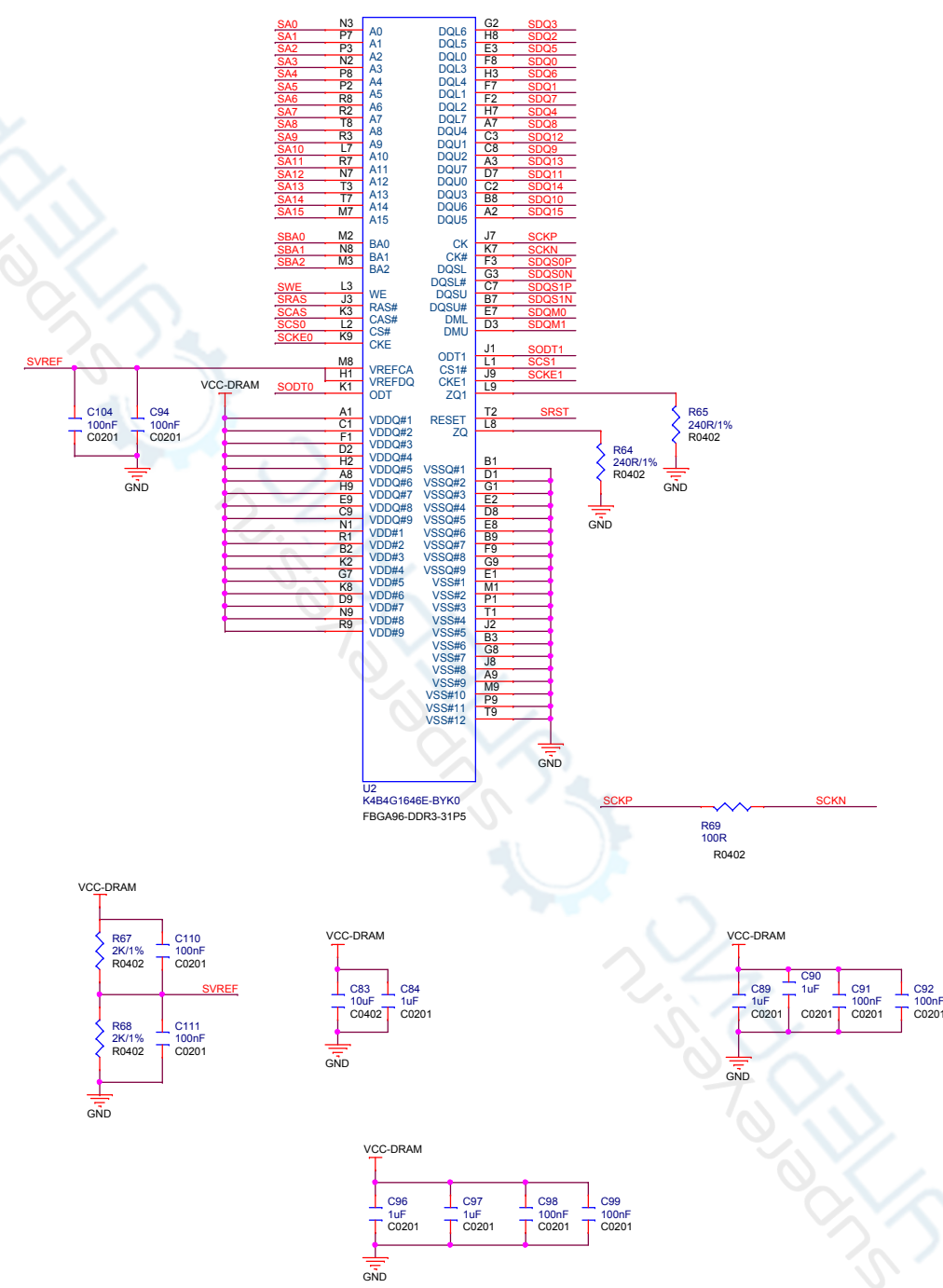
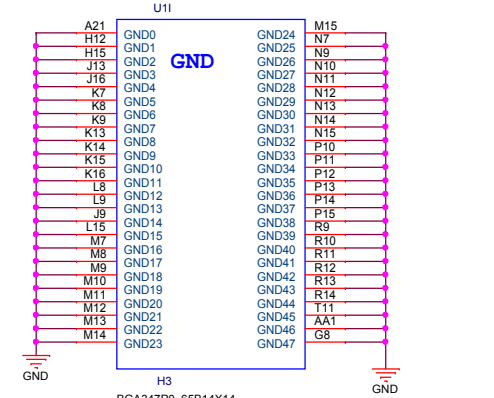
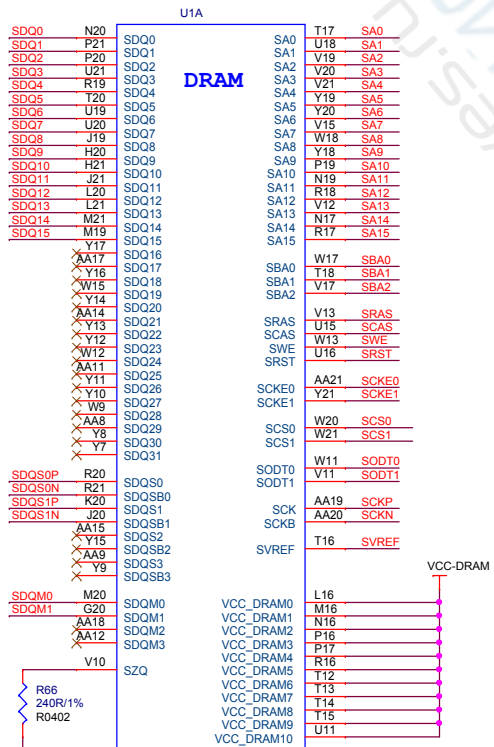
BLOCK



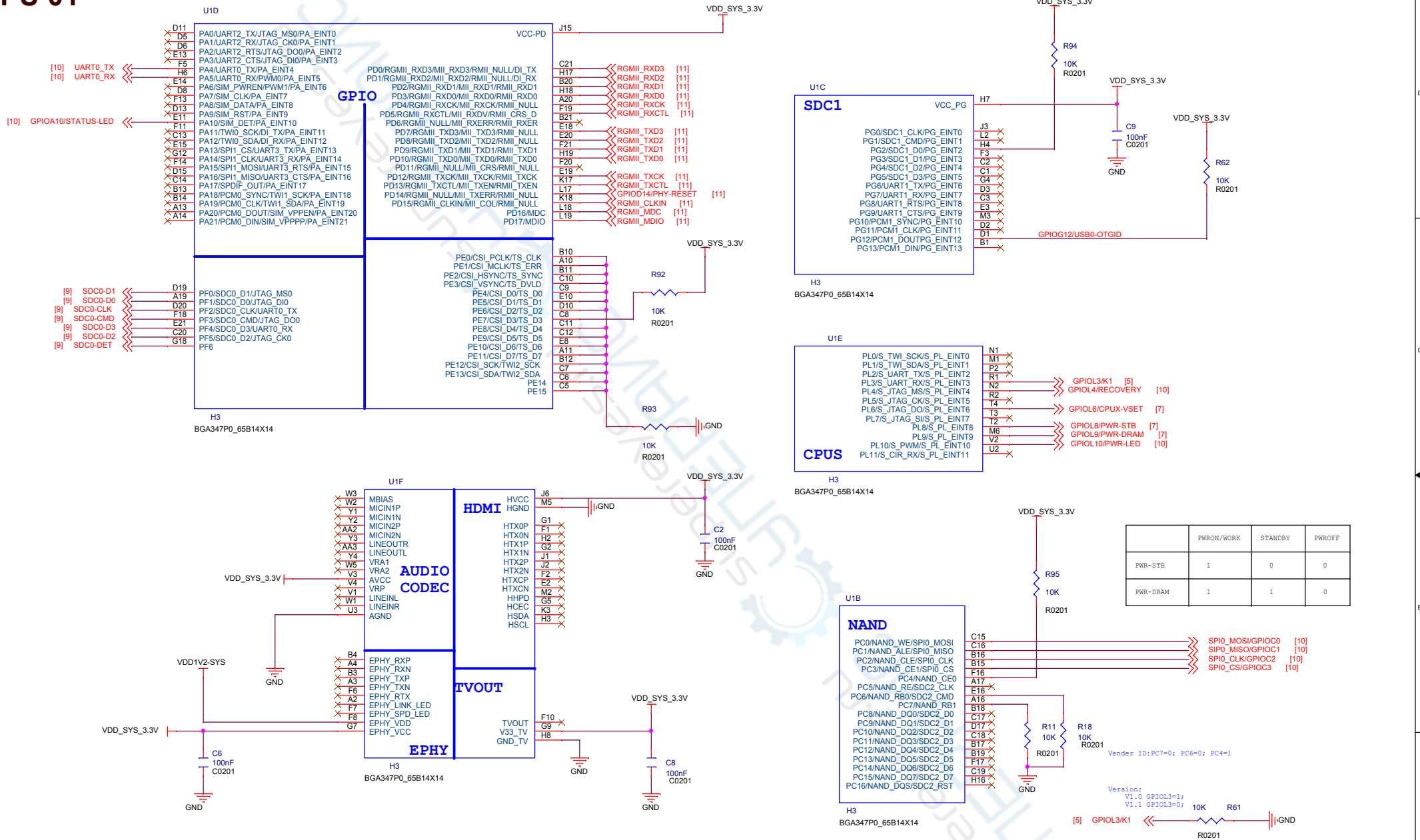
POWER TREE



DDR3 16x1



CPU 01

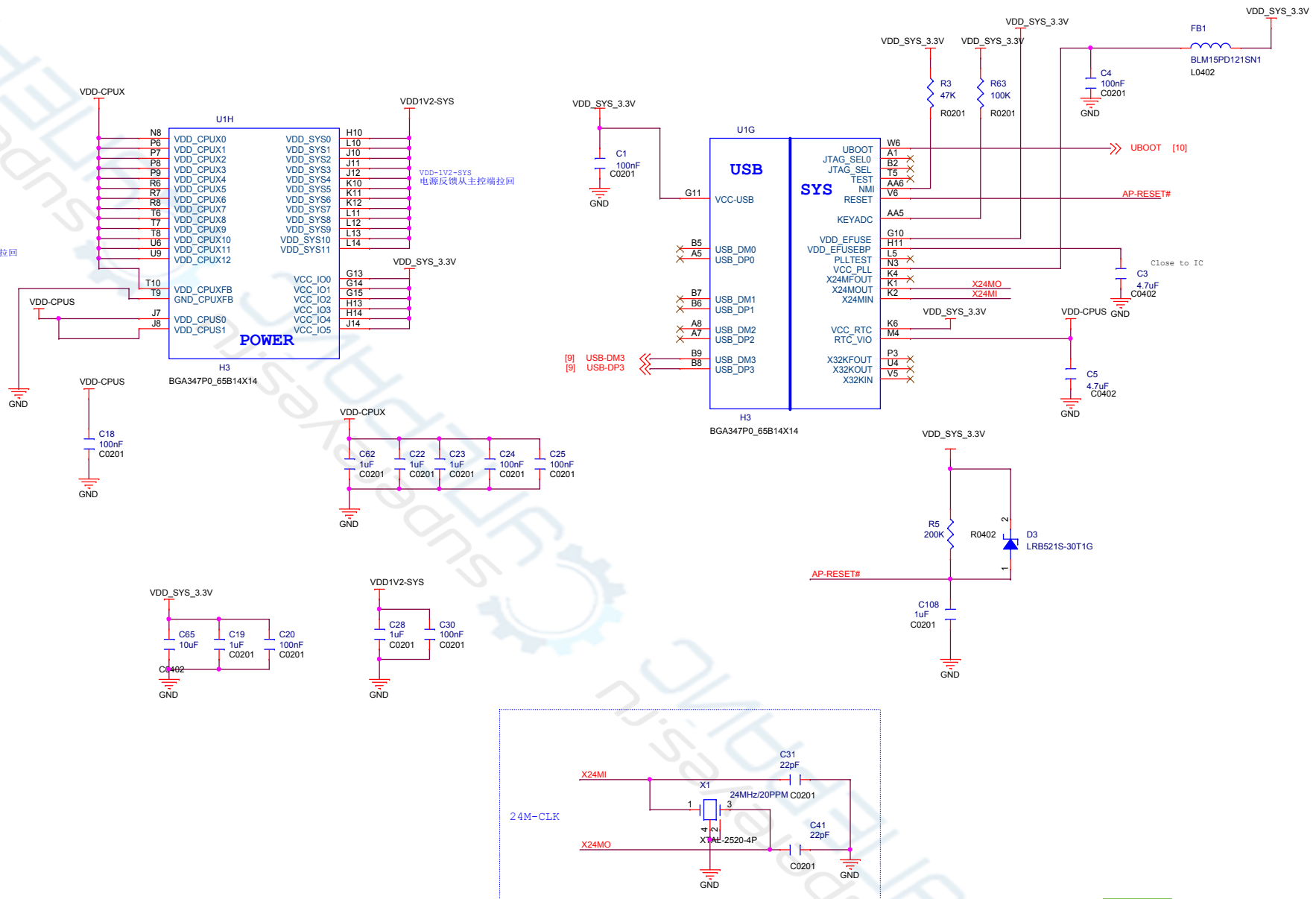


	PWRON/WORK	STANDBY	PWROFF
PWR-STB	1	0	0
PWR-DRAM	1	1	0

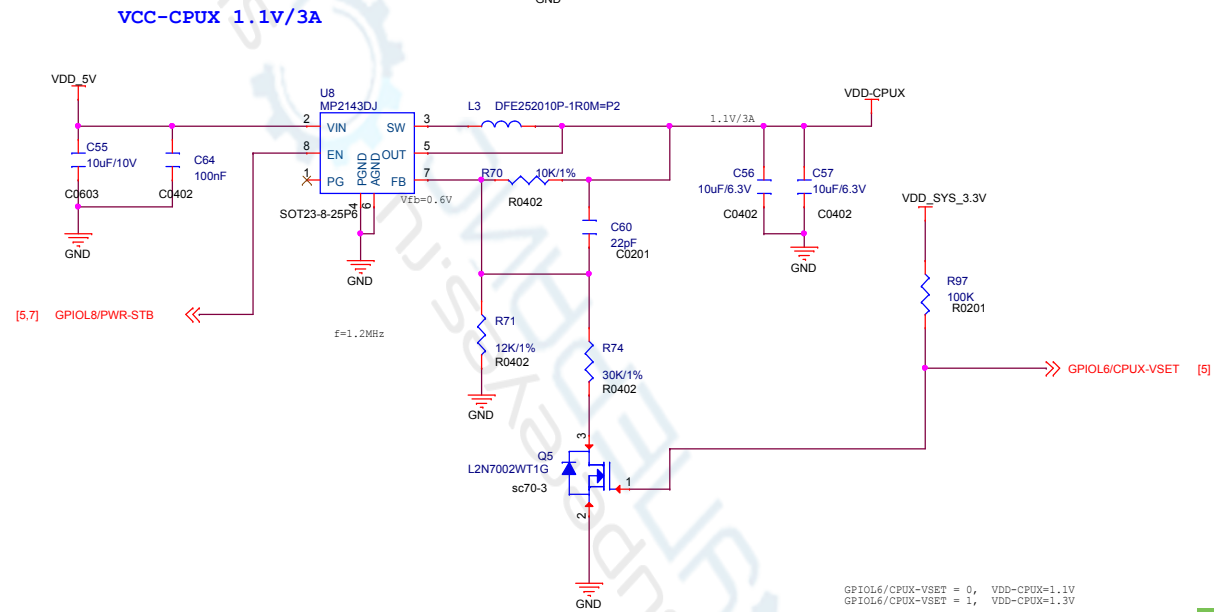
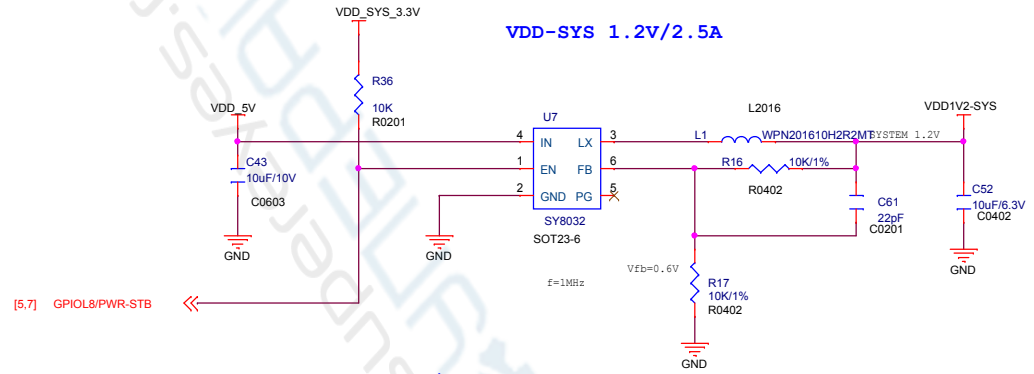
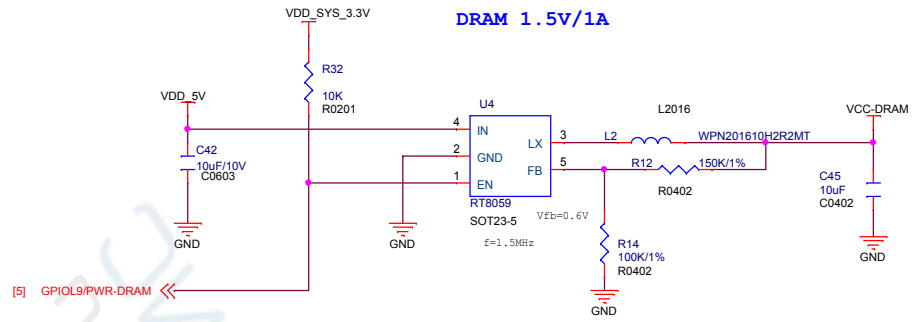


CPU 02

CPUX 电源反馈从主控端拉回

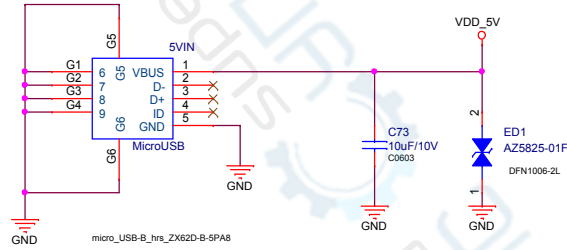


POWER 01

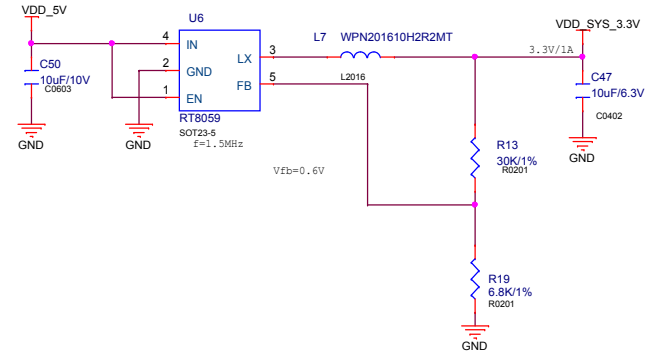


ZeroPi		
Size A3	Document Number 07:Power-01	Rev v1.0 1908
Date: Thursday, September 05, 2019	Sheet 7 of 11	

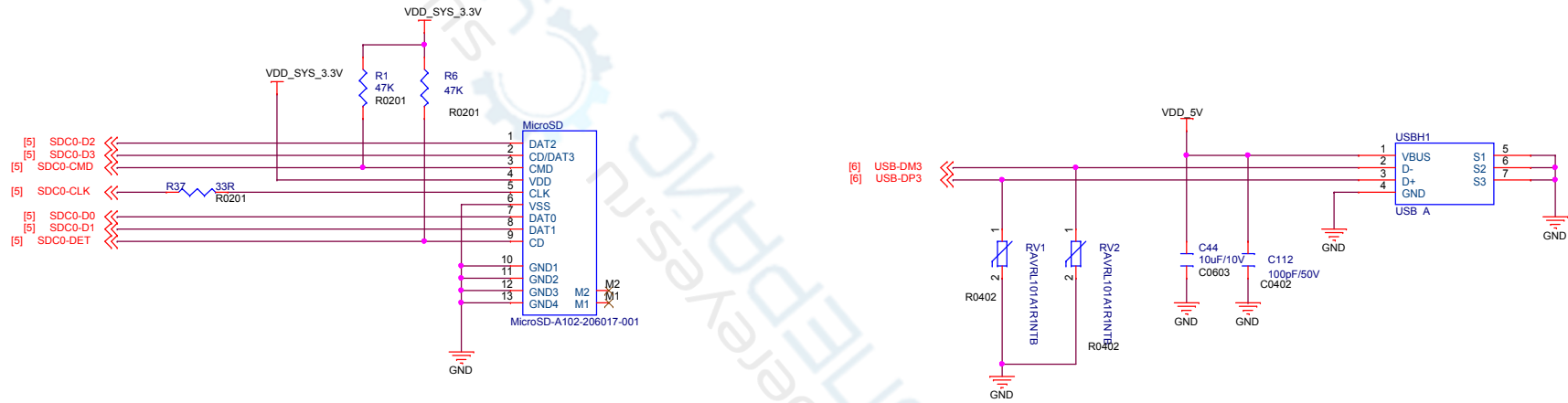
POWER 02



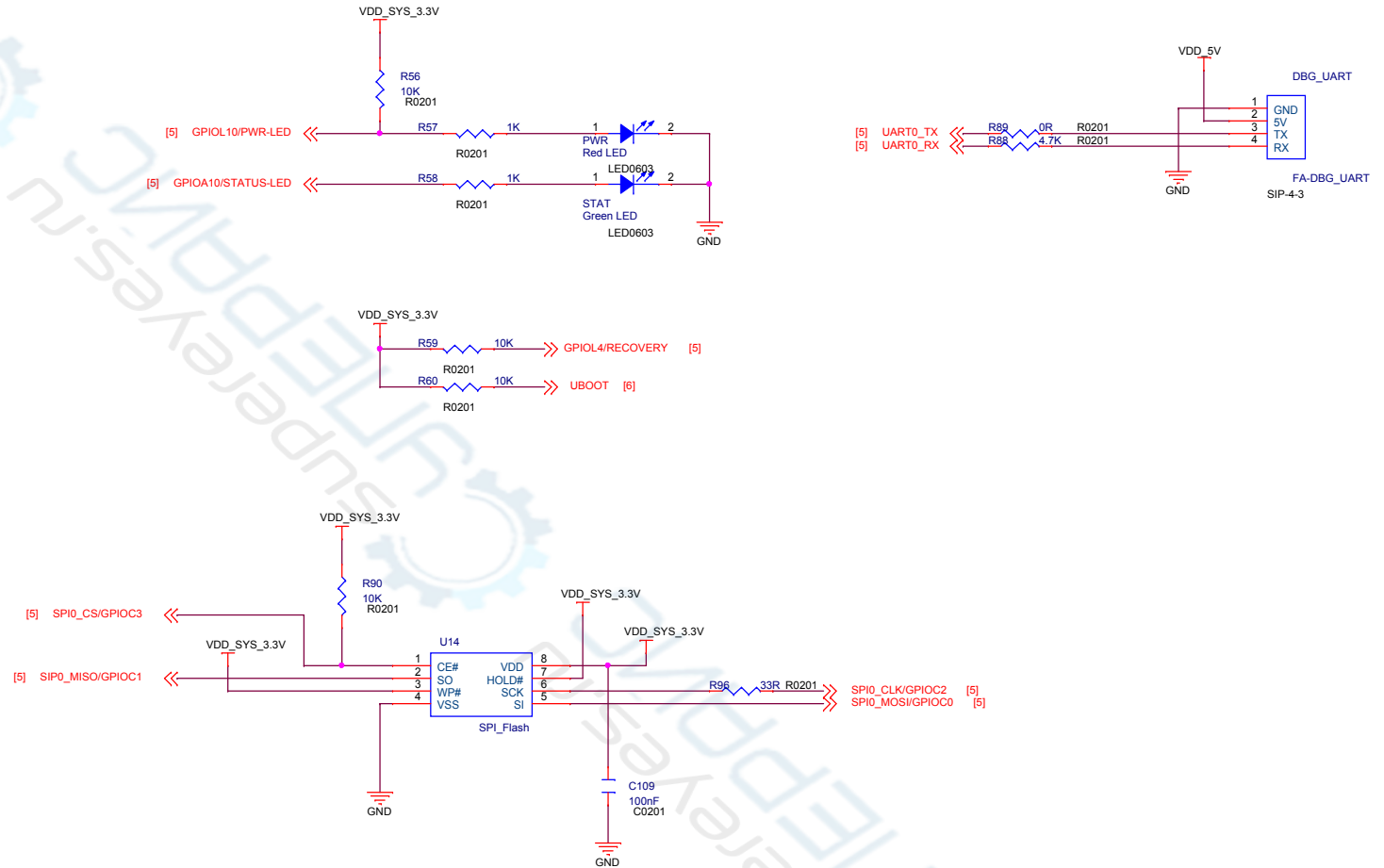
VCC-IO 3.3V/1A



TF Card,USB Host

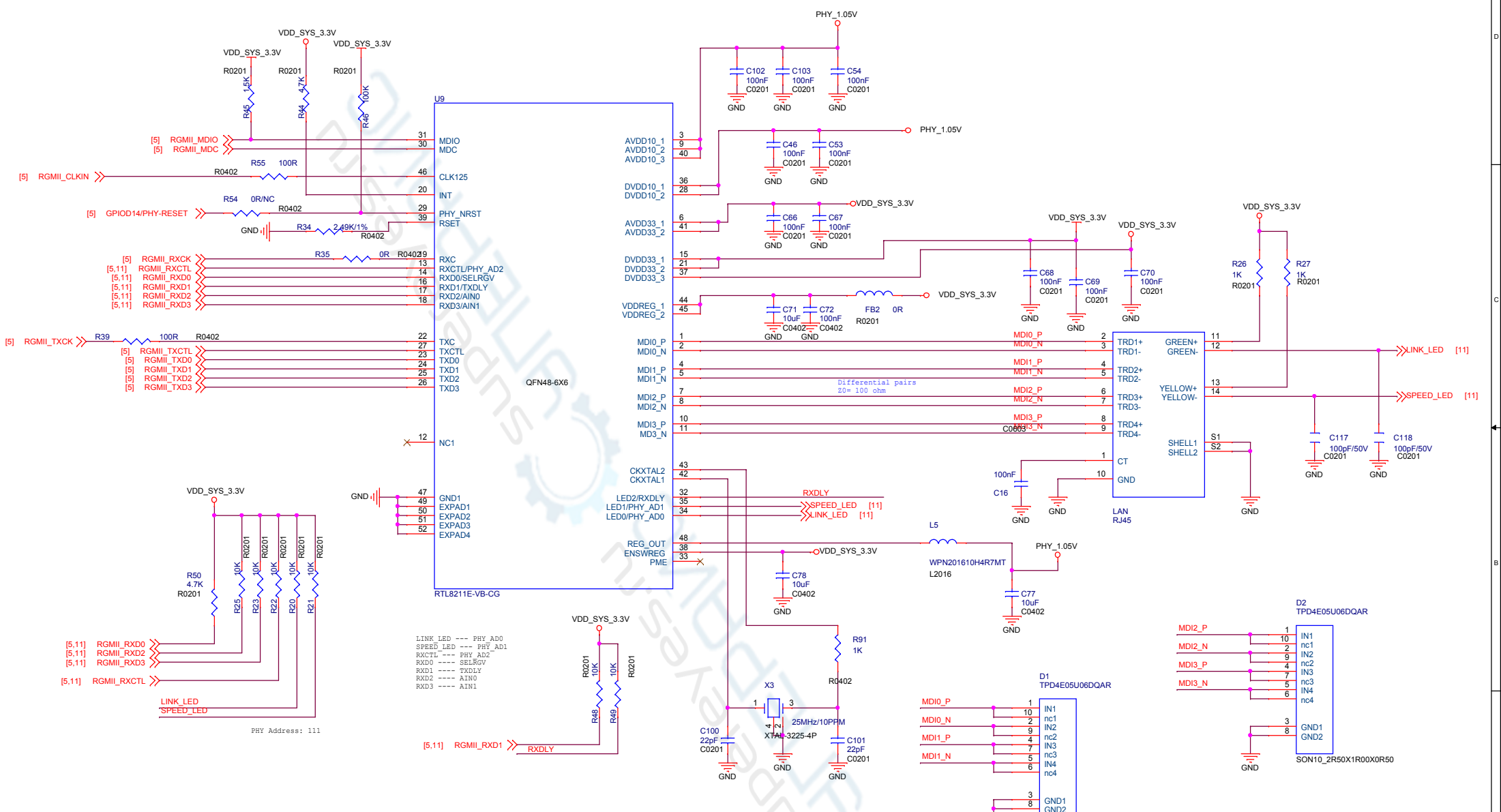



GPIO, DBG_UART, Audio, LEDs



ZeroPi		
Size A3	Document Number 11:GPIO, DBG_UART, IR	Rev v1.0 1908
Date: Thursday, September 05, 2019	Sheet 10 of 11	

10/100/1000M Ethernet





ZeroPi		
Size A3	Document Number 12:10/100/1000M Ethernet	Rev v1.0 1908
Date: Thursday, September 05, 2019 Sheet 11 of 11		