

Asynchronous Boost Controller



General Description

The FP5139 is a boost topology switching regulator control IC for battery-powered applications. The FP5139 includes a totem-pole single output stage for driving NPN transistor or N-MOS, high precision reference voltage(0.5V) to compare output voltage with feedback amplifier, an internal duty time control for controlling the minimum duty cycle, programmable soft start with short circuit protection function and logic level control for operating mode or standby mode.

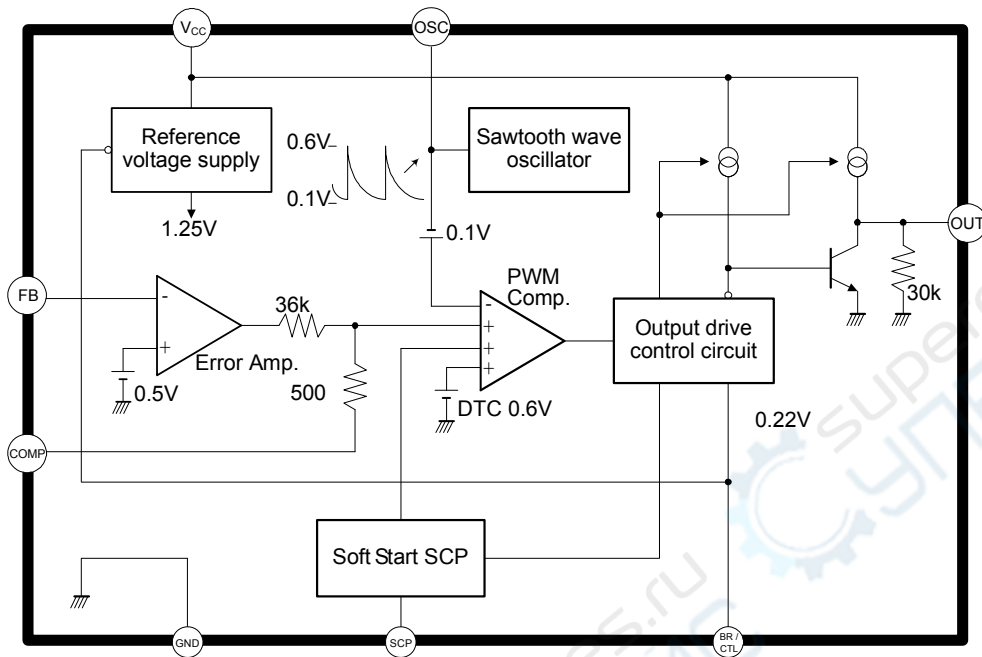
Features

- Wide Supply Voltage Operating Range: 1.8 to 15V
- Precision Reference Voltage: 0.5V \pm 2%
- Low Current Consumption: 5.5mA in Operation Mode
- Low Current Consumption: 1 μ A in Standby Mode
- High Oscillator Frequency: 1MHz max.
- Totem-Pole Output with Adjustable ON / OFF Current (for NPN Transistors or n-Channel MOSFET)
- Logic Level Control Stand-by Mode Function
- Programmable Soft Start Function (SS)
- Short Circuit Protection Function (SCP)
- Package: TSSOP-8L

Applications

- Digital Camera
- PDA
- Portable Equipment

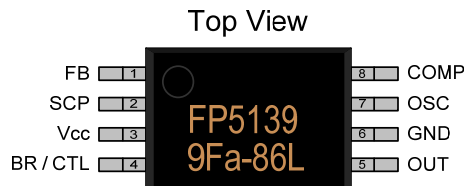
Function Block Diagram



This datasheet contains new product information. Feeling Technology reserves the rights to modify the product specification without notice. No liability is assumed as a result of the use of this product. No rights under any patent accompany the sales of the product.

Pin Descriptions

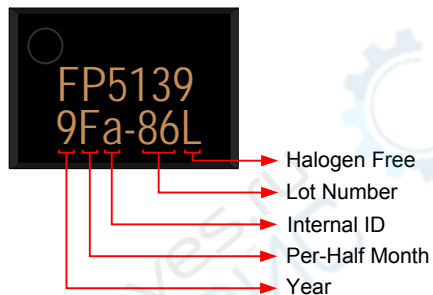
TSSOP-8L



| Name | No. | I / O | Description |
|-----------------|-----|-------|--|
| FB | 1 | I | Error Amplifier Inverting Input |
| SCP | 2 | I | Soft Start and SCP Function Connect a Capacitor to this pin |
| V _{CC} | 3 | P | IC power supply |
| BR / CTL | 4 | I | Output Current Setting and Control |
| OUT | 5 | O | Totem-Pole Output |
| GND | 6 | P | IC Ground |
| OSC | 7 | I | Oscillator Output: Connect Capacitor and Resistor to this pin for Frequency Adjustment |
| COMP | 8 | O | Error Amplifier Compensation Output |

Marking Information

TSSOP-8L



Halogen Free: Halogen free product indicator

Lot Number: Wafer lot number's last two digits

For Example: 132386TB → 86

Internal ID: Internal Identification Code

Per-Half Month: Production period indicated in half month time unit

For Example: January → A (Front Half Month), B (Last Half Month)

February → C (Front Half Month), D (Last Half Month)

Year: Production year's last digit

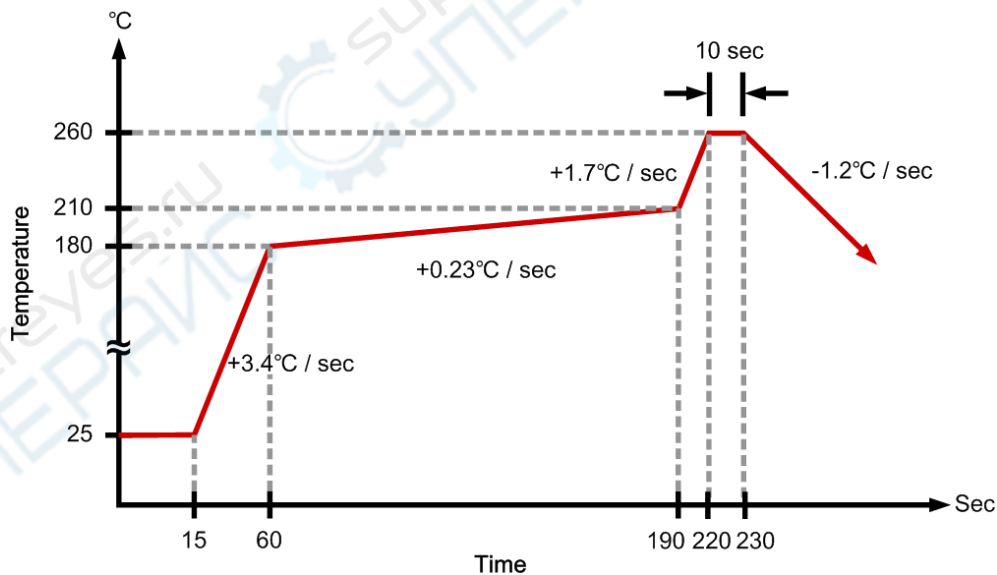
Ordering Information

| Part Number | Operating Temperature | Package | MOQ | Description |
|--------------|-----------------------|----------|--------|-------------|
| FP5139BWR-LF | -10°C ~ +85°C | TSSOP-8L | 2500EA | Tape & Reel |

Absolute Maximum Ratings

| Parameter | Symbol | Conditions | Min. | Typ. | Max. | Unit |
|-----------------------------|----------|--|------|------|------|------|
| Power Supply Voltage | V_{IN} | | | | 15 | V |
| Output Source Current | | | | | -50 | mA |
| Output Sink Current | | | | | 50 | mA |
| Allowable Power Dissipation | | SOP-8L, $T_A \leq +25^\circ\text{C}$ | | | 570 | mW |
| | | MSOP-8L, $T_A \leq +25^\circ\text{C}$ | | | 400 | mW |
| | | TTSOP-8L, $T_A \leq +25^\circ\text{C}$ | | | 400 | mW |
| Storage Temperature | | | -55 | | +125 | °C |
| Lead Temperature | | SOP-8L, (soldering, 10 sec) | | | +260 | °C |
| | | TSSOP-8L, (soldering, 10 sec) | | | +260 | °C |
| | | MSOP-8L, (soldering, 10 sec) | | | +260 | °C |

Suggested IR Re-flow Soldering Curve



This datasheet contains new product information. Feeling Technology reserves the rights to modify the product specification without notice. No liability is assumed as a result of the use of this product. No rights under any patent accompany the sales of the product.

Recommended Operating Conditions

| Parameter | Symbol | Conditions | Min. | Typ. | Max. | Unit |
|-----------------------|--------|------------|------|------|------|------|
| Supply Voltage | | | 1.8 | | 15 | V |
| Operating Temperature | | | -10 | | +85 | °C |

DC Electrical Characteristics (V_{CC} = +2V, T_A = 25°C, unless otherwise noted)

| Parameter | Symbol | Test Conditions | Min. | Typ. | Max. | Unit |
|---|-------------------------|--|------|------|------|-------|
| Under Voltage Lock-Out Section (UVLO) | | | | | | |
| Low Threshold Voltage | V _{LOW} | | | | 0.9 | V |
| Upper Threshold Voltage | V _{UPPER} | | 1.1 | 1.3 | 1.5 | V |
| Soft Start Section (SS) | | | | | | |
| Input Source Current | I _{SS} | V _{SCP} = 0V | -1.5 | -1.0 | -0.7 | μA |
| Soft Start Threshold Voltage | V _{SST} | | 0.8 | 0.9 | 1.0 | V |
| Short Circuit Protection Section (SCP) | | | | | | |
| Input Source Current | I _{SCP} | V _{SCP} = 0V | -1.5 | -1.0 | -0.7 | μA |
| SCP Threshold Voltage | V _{SCP} | | 0.7 | 0.8 | 0.9 | V |
| Oscillator Section | | | | | | |
| Oscillation Frequency | f | R _T = 3.0kΩ, C _T = 270pF | 400 | 500 | 600 | KHz |
| Frequency Change With Voltage | Δf / ΔV | V _{CC} = 2V to 15V | | 2 | 10 | % |
| Frequency Change With Temperature | Δf / ΔT | T _A = 0°C to 85°C | | 5 | | % |
| Idle Period Adjustment Section | | | | | | |
| Maximum Duty Cycle | T _{DUTY} | R _T = 3.0kΩ, C _T = 270pF, V _{FB} = 0.8V | | 85 | | % |
| Maximum Duty Cycle Change With Temperature | ΔT _{DUTY} / ΔT | T _A = -10°C to 85°C | | 10 | | % |
| Total Device Section | | | | | | |
| Standby Current | I _{STANDBY} | Pin 4 is open or =V _{CC} | | | 1 | μA |
| Average Current Consumption | I _{AVE} | R _B = 390Ω, V _{CC} = 0~15V | | 5.0 | 10 | mA |
| Error Amplifier Section | | | | | | |
| Input Threshold Voltage | V _{FB} | V _{COMP} = 450mV | 490 | 500 | 510 | mV |
| V _T Change With Voltage | ΔV _{FB} / ΔV | V _{CC} = 2V to 15V | | 5 | 20 | mV |
| V _T Change With Temperature | ΔV _{FB} / ΔT | T _A = -10°C to 85°C | | 1 | | % |
| Input Bias Current | I _B | | -1.0 | -0.2 | 1.0 | μA |
| Voltage Gain | A _V | | | 100 | | V / V |
| Frequency Bandwidth | BW | A _V = 0 dB | | 6 | | MHz |
| Output Voltage Swing Positive | V _{POS} | | 0.78 | 0.87 | | V |
| Output Voltage Swing Negative | V _{NEG} | | | 0.05 | 0.2 | V |
| Output Source Current | I _{SOURCE} | V _{COMP} = 450 mV | | -40 | -24 | μA |
| Output Sink Current | I _{SINK} | V _{COMP} = 450 mV | 24 | 40 | | μA |

This datasheet contains new product information. Feeling Technology reserves the rights to modify the product specification without notice. No liability is assumed as a result of the use of this product. No rights under any patent accompany the sales of the product.

| Parameter | Symbol | Test Conditions | Min. | Typ. | Max. | Unit |
|---|----------------------|--|------|------|------|------|
| Output Section | | | | | | |
| Output High Voltage | V _{OH1} | R _B =390Ω, I _O =-15mA | 1.0 | 1.2 | | V |
| | V _{OH2} | R _B =750Ω, I _O =-10mA, V _{CC} = 1.8V | 0.8 | 1.0 | | V |
| Output Saturation Voltage | V _{OL1} | R _B =390Ω, I _O =15mA | | 0.1 | 0.2 | V |
| | V _{OL2} | R _B =750Ω, I _O =10mA, V _{CC} = 1.8V | | 0.1 | 0.2 | V |
| Output Source Current | I _{OSOURCE} | R _B =390Ω, V _O =0.9V | | -40 | -20 | mA |
| Output Sink Current | I _{OSINK} | R _B =390Ω, V _O =0.3V | 30 | 40 | - | mA |
| Internal Pull-Down Resistor | R _O | | 20 | 30 | 40 | kΩ |
| Output Current Setting / Control Section | | | | | | |
| Pin Voltage | V _{BR} | R _B =390Ω | 0.15 | 0.22 | 0.3 | V |
| Input Off Condition | I _{OFF} | | -20 | | 0 | μA |
| Input On Condition | I _{ON} | | | | -45 | μA |
| Pin Current Range | I _{BR} | | -1.8 | | -0.1 | mA |

This datasheet contains new product information. Feeling Technology reserves the rights to modify the product specification without notice. No liability is assumed as a result of the use of this product. No rights under any patent accompany the sales of the product.

Typical Operating Characteristics

($V_{CC}=2V$, $T_A=25^\circ C$, unless otherwise noted)

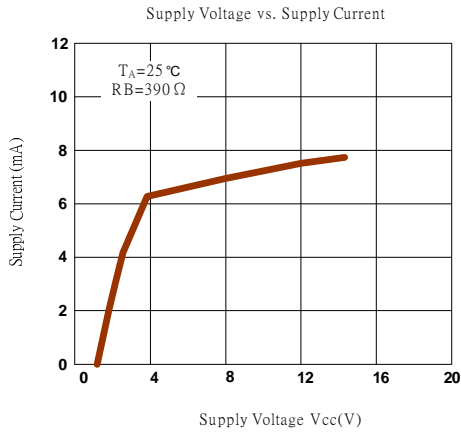


Figure 1

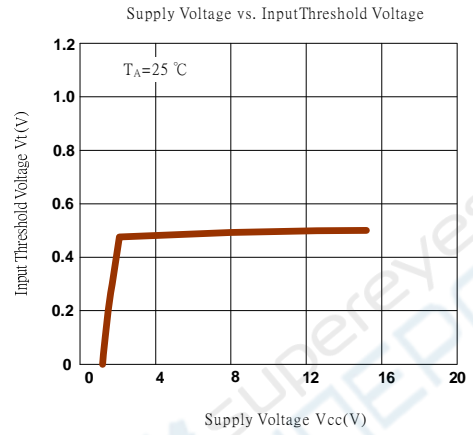


Figure 2

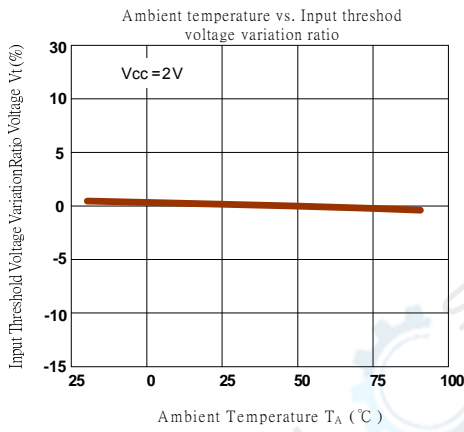


Figure 3

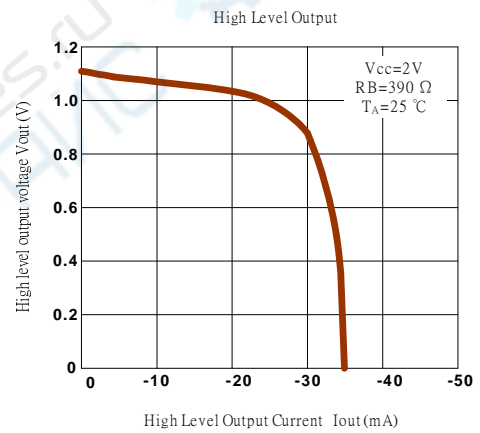


Figure 4

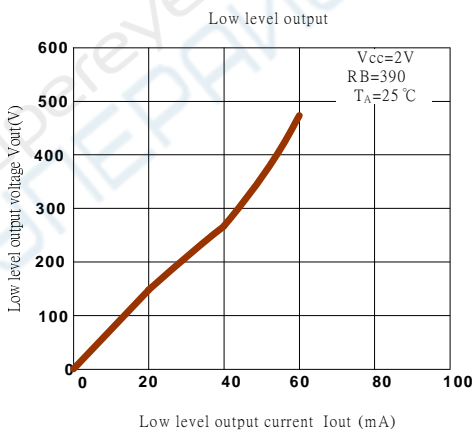


Figure 5

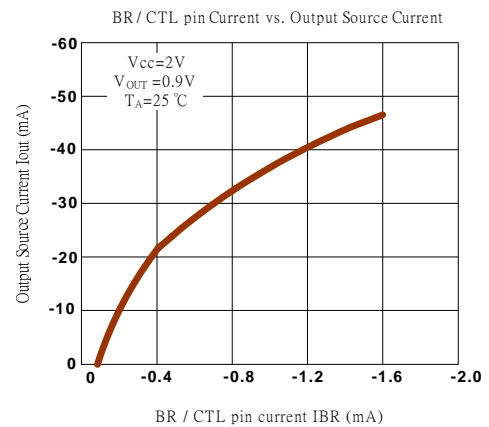


Figure 6

This datasheet contains new product information. Feeling Technology reserves the rights to modify the product specification without notice. No liability is assumed as a result of the use of this product. No rights under any patent accompany the sales of the product.

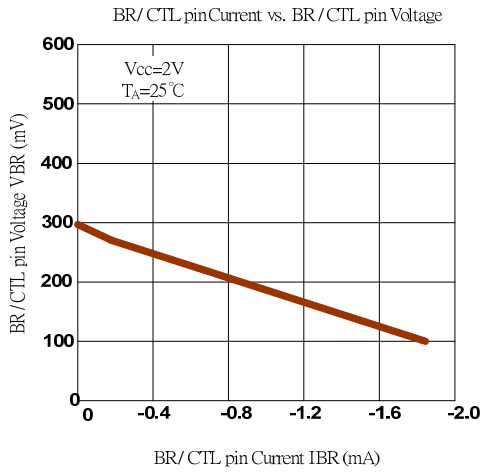


Figure 7

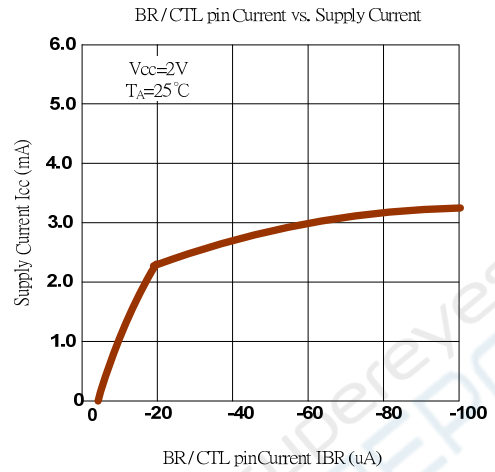
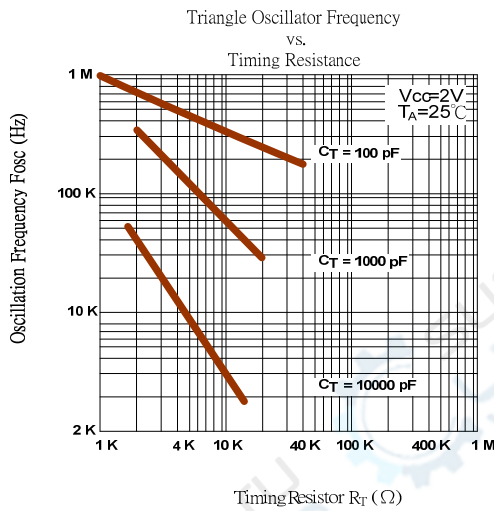


Figure 8



Timing Resistor R_T (Ω)
Figure 9

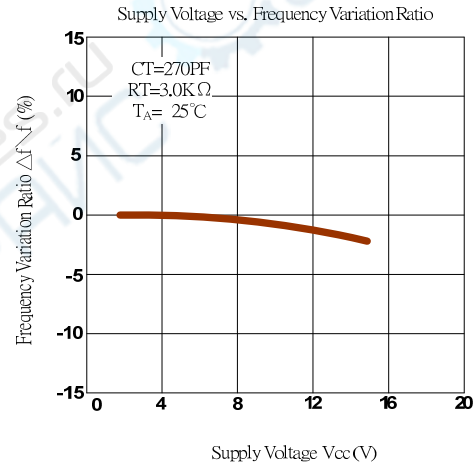


Figure 10

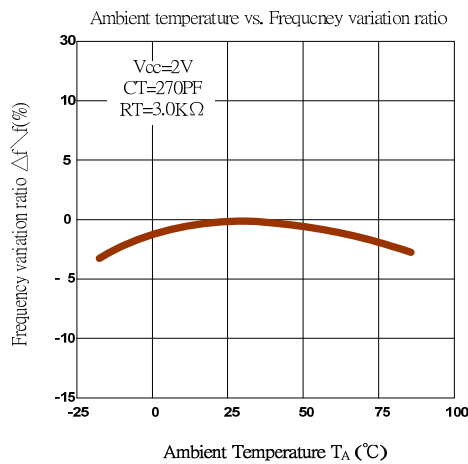


Figure 11

This datasheet contains new product information. Feeling Technology reserves the rights to modify the product specification without notice. No liability is assumed as a result of the use of this product. No rights under any patent accompany the sales of the product.

Function Description

Voltage Reference

A 1.25V regulator operating from V_{CC} is used to power the FP5139 internal circuitry. An internal resistive divider provides 0.5V reference for the error amplifier, Soft-start (0.9V typ.) and SCP (0.8V typ.) circuits.

Error Amplifier

The error amplifier compares a sample of the DC-DC converter output voltage to the 0.5V reference and generates an error signal for the PWM comparator. Output voltage of DC-DC converter is setting with the resistor divider using the following equation (see figure12):

$$V_{OUT} = \left(1 + \frac{R1}{R2}\right) \times 0.5$$

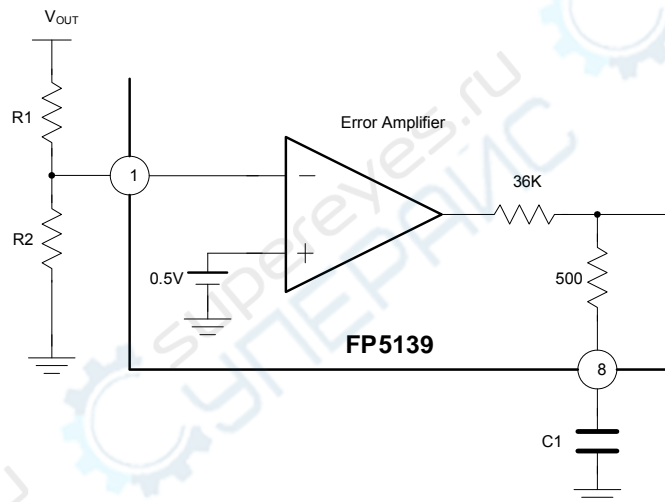


Figure 12 Error Amplifier with Feedback resistance divider

Oscillator

The oscillator frequency can be set from 20KHz to 1MHz by connecting a resistor and a capacitor at OSC pin of FP5139 to ground. The oscillator frequency can be determined by using the graph shown in Figure 9.

The oscillator output is a sawtooth wave with a minimum value of approximately 0.1V and a maximum value of approximately 0.6V. The PWM comparator compares the oscillator voltage with error amplifier output voltage, internal maximum duty control voltage (0.6V typ.) and soft start setting voltage. When the sawtooth wave voltage is lower than all of above three-output voltage, the output of FP5139 is high (Turn on external NPN transistor or NMOS).

Under Voltage Lockout (UVLO)

The under voltage lockout circuits turn the output off whenever the supply voltage drops too low (approximately 0.9V at 25°C) for proper operation. A hysteresis voltage of 200mV eliminates false triggering on noise and chattering.

Soft Start/ Short-circuit protection (SS / SCP)

The soft start is functional after power on. The interval of soft start time is determined by a capacitor connected to SCP pin (pin 2). When soft start function finished, the internal soft start voltage is setting high, but external SCP pin is setting low in order to change to short circuit detection / protection function.

The time of soft start is:

$$T_{ss}[mS] = 0.35 \times C[\mu F]$$

The short circuit protection is triggered when a heavy loading makes output voltage drop and error amplifier output (COMP pin) is larger than V_{POS} (0.9V typ.). The SS pin capacitor will be charged to the SCP threshold voltage (0.8V typ.), then FP5139 output is disabled (internal pull-low) and the capacitor is discharged to low.

The time of short circuit protection is:

$$T_{scp}[mS] = 0.8 \times C[\mu F]$$

Output Transistor

The FP5139 has a totem-pole transistor with a 40mA source/sink current capability to drive an external NPN transistor or NMOS directly. The driving current capability depends on a resistor R that is connected to BR / CTL pin (Pin4) of FP5139. (see figure 13)

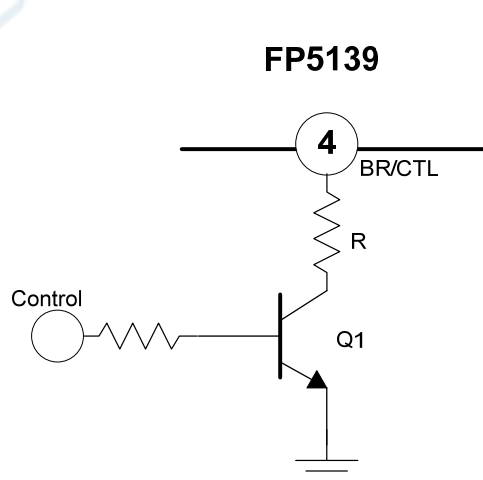


Figure 13 Output Transistor Driving Control Circuit

BR / CTL pin can also use to control the output of FP5139 for disable or enable function of system.

| Control Pin | Q1 | BR / CTL Pin | Output Transistor Function | Mode |
|-------------|-----|--------------|----------------------------|-----------|
| Low | Off | Open | Disable | Stand-by |
| High | On | Bias Current | Enable | Operation |

Application Information

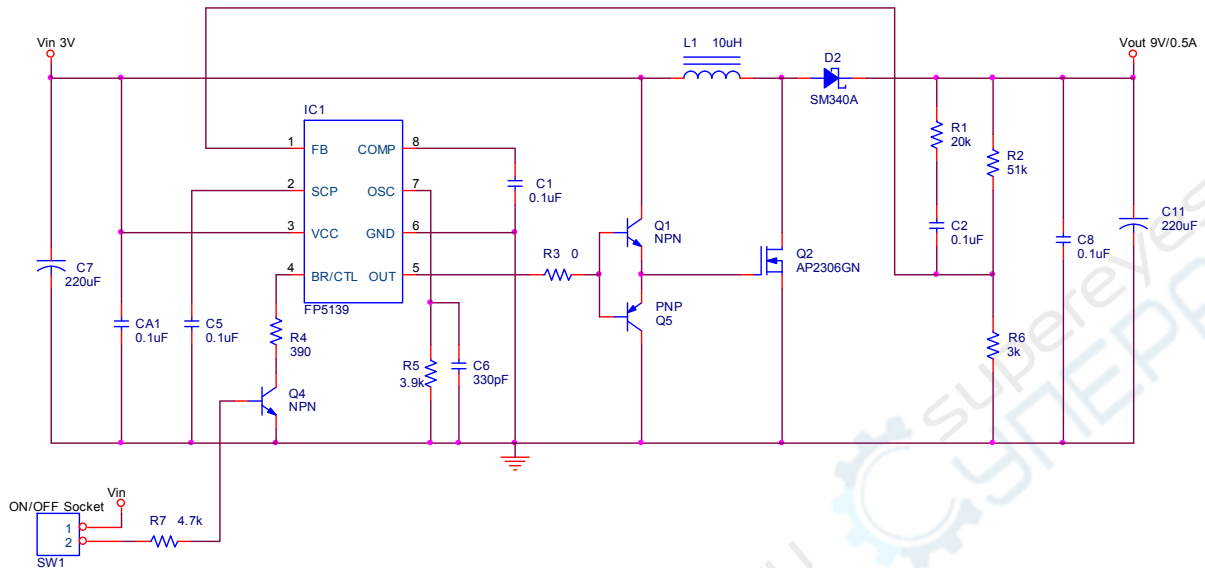


Figure14 DC 3V to DC 9V Boost Converter Circuit

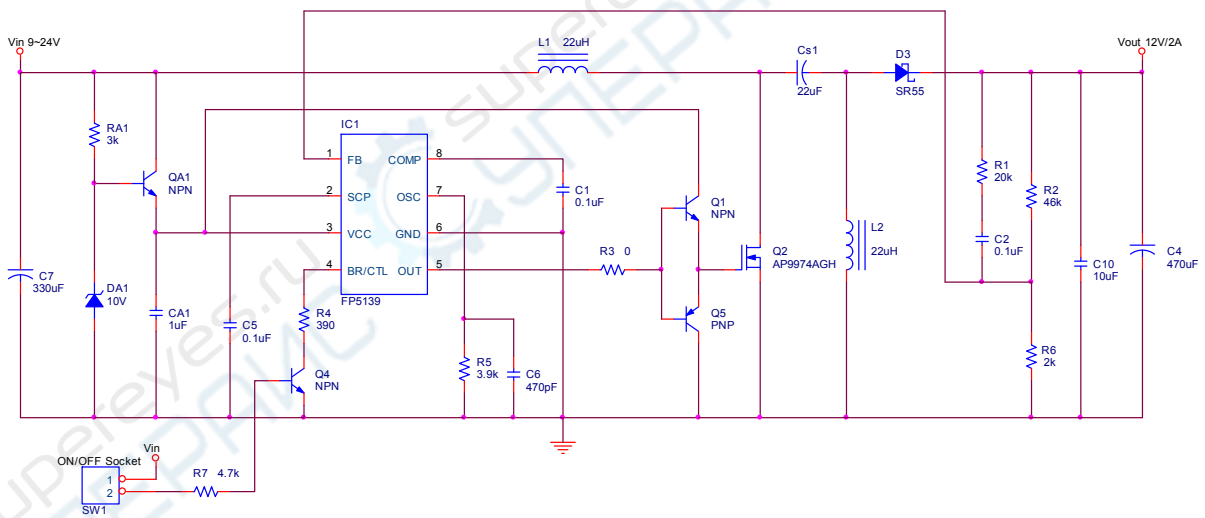


Figure15 DC 9V~24V to DC 12V SEPIC Converter Circuit

This datasheet contains new product information. Feeling Technology reserves the rights to modify the product specification without notice. No liability is assumed as a result of the use of this product. No rights under any patent accompany the sales of the product.

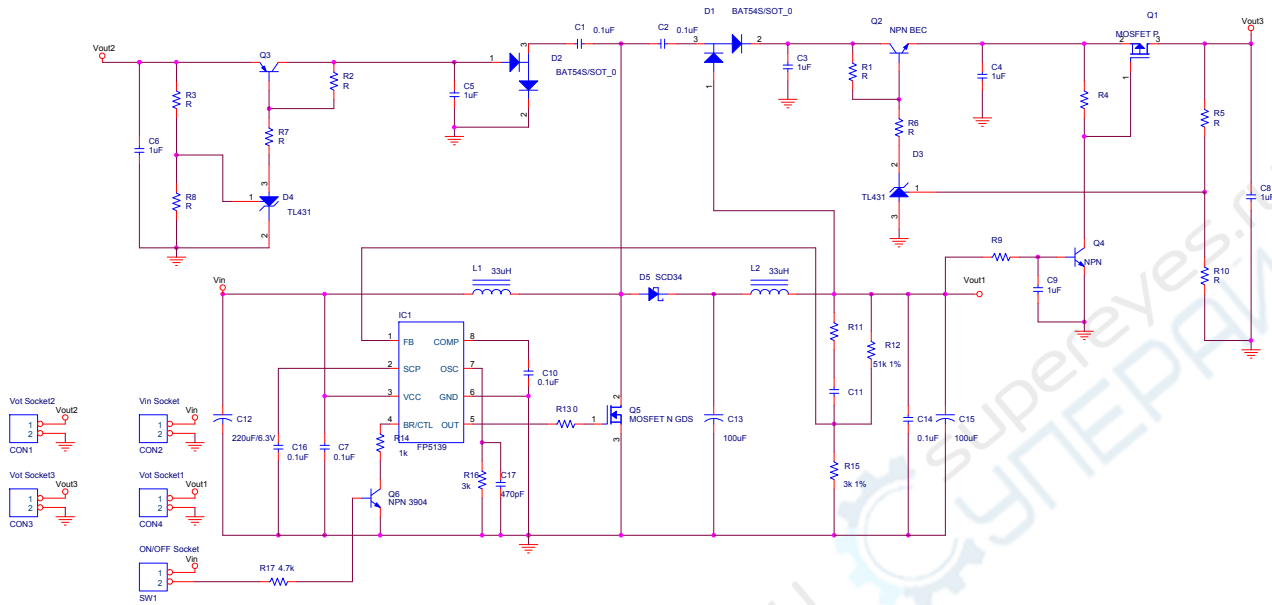


Figure16 Charge Pump DC-DC Converter Circuit

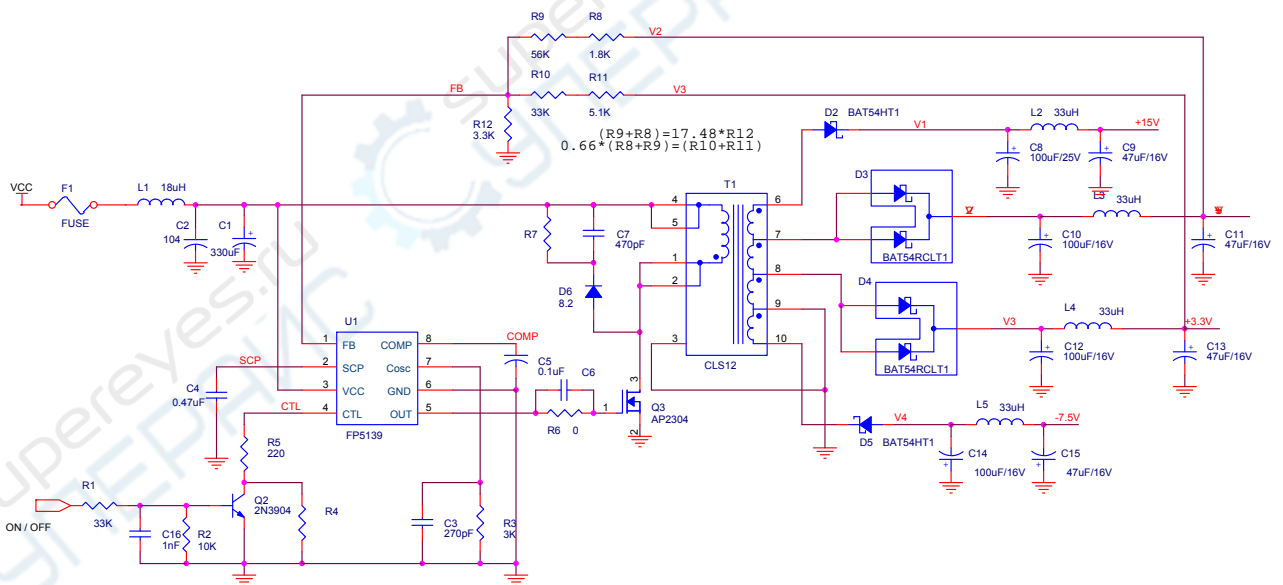


Figure17 Flyback Multi-Output DC-DC Converter Circuit

This datasheet contains new product information. Feeling Technology reserves the rights to modify the product specification without notice. No liability is assumed as a result of the use of this product. No rights under any patent accompany the sales of the product.

Timing Waveform

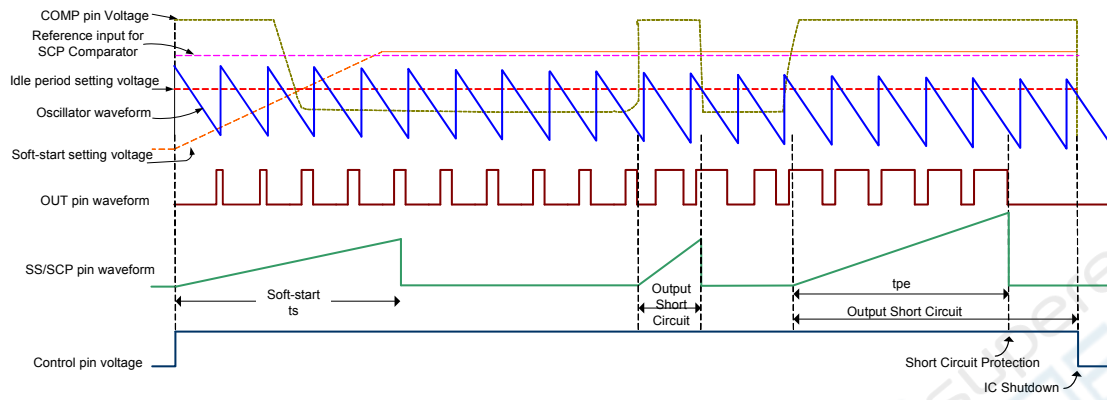
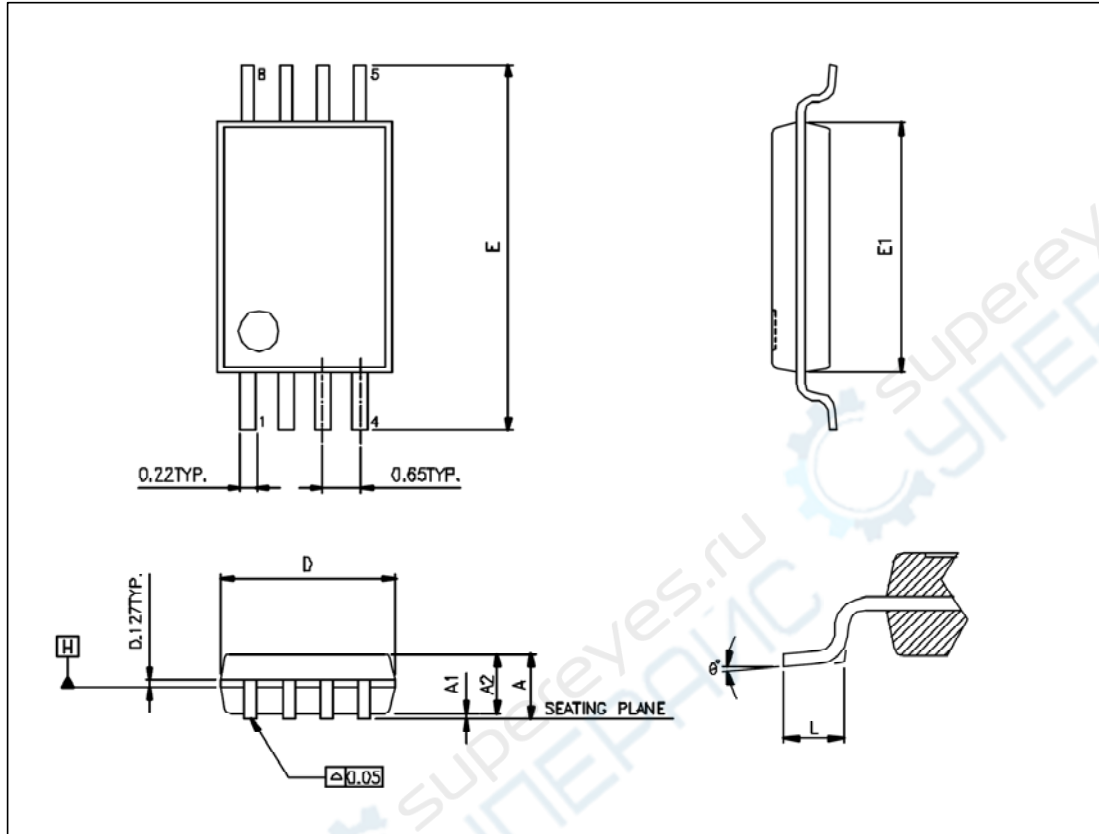


Figure18 FP5139 Timing Diagram

Package Outline
TSSOP-8L

UNIT: mm

| Symbols | Min. (mm) | Max. (mm) |
|----------------|-----------|-----------|
| A | | 1.200 |
| A1 | 0.050 | 0.150 |
| A2 | 0.960 | 1.060 |
| D | 2.900 | 3.100 |
| E | 6.400 BSC | |
| E1 | 4.300 | 4.500 |
| L | 0.450 | 0.750 |
| θ° | 0° | 8° |

Notes:

1. Package dimensions are in compliance with JEDEC outline: MO-153 AA.
2. Dimension "D" does not include molding flash, protrusions or gate burrs.
3. Dimension "E1" does not include inter-lead flash or protrusions.

This datasheet contains new product information. Feeling Technology reserves the rights to modify the product specification without notice. No liability is assumed as a result of the use of this product. No rights under any patent accompany the sales of the product.