



300W 12V DC LED Power Supply

MODEL HPS-12E300
 INPUT 100~240V AC
 OUTPUT 12V DC 25.00A 300W

Features:

- With built-in Active PFC(Power Factor Corrector), PF> 0.9
- Meet the IEC energy efficiency standards. 5 Years warranty
- Waterproof IP67, suitable for indoor or outdoor LED application
- Long life span waterproof LED power supply with high efficiency
- With EMC, meet the newest electromagnetic compatibility standard
- Seamless aluminum housing with Class I design & Cooling by free air convection
- Protection: undervoltage/short circuit/over voltage/over load

SELV    

INPUT

INPUT VOLTAGE	90~264V AC (Refer to the derating curve of "Loading and Input voltage")
FREQUENCY RANGE	47~63Hz
EFFICIENCY	92%
AC CURRENT	≤ 3.62A@230VAC
AC INRUSH CURRENT	75A@230VAC
LEAKAGE CURRENT	0.75mA/254.4VAC

OUTPUT

DC OUTPUT	12V
OUTPUT CURRENT	25.00A
RATED POWER	300W
VOLTAGE TOLERANCE	±5%
RIPPLE NOISE	200mV P-P(Max.)
SETUP RISE TIME	2000mS(Max.)@230VAC

PROTECTION

OVER LOAD	95%-105% rated power, Protection Type:auto-recovery, after fault condition is removed
SHORT CIRCUIT	Protection Type:recovery automatically after fault condition is removed

ENVIRONMENT

OPERATING TEMPERATURE	-25°C~+60°C (Refer to the derating curve of "Loading and Ambient temperature")
OPERATING HUMIDITY	RH=5%~95%
STORAGE TEMPERATURE	-35°C~+65°C

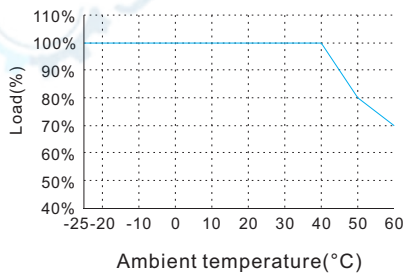
SAFETY & EMC

SAFETY STANDARDS	IEC61347 A1 +A14
EMC	EN 55015;EN 61547;EN 61000-3-2; EN 61000-3-3
WITHSTAND VOLTAGE ISOLATION	I/P-FG:1.5KV AC I/P-O/P:3.0KV AC I/P-O/P:> 100M Ohms/500VDC/25°C /75%RH

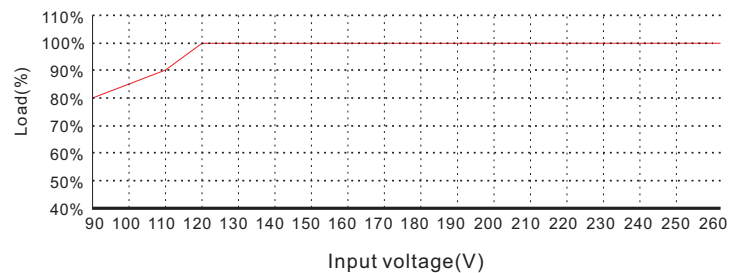
OTHERS

PRODUCT DIMENSION	369x71.5x38mm
NET WEIGHT	1.81Kg
QUANTITY	10PCS
PACKING DIMENSION	440x210x165mm
GROSS WEIGHT	19KG

LOADING AND AMBIENT TEMPERATURE



LOADING AND INPUT VOLTAGE



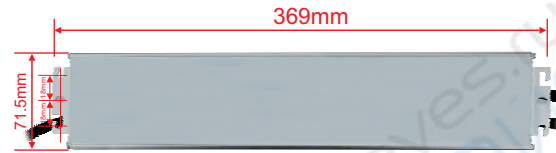
INSTALLATION GUIDE

- It is recommended to use no more than 80% of the rated load of a power supply, to have tolerance for the power increase of LED modules or strips when their running temperature goes up.
- It is very important to have enough ventilation for a power supply to avoid overheating.
- Do not install the power supply in a closed place, or near flammable or explosive objects, or in a place easily flooded.
- Choose wires with correct AWG or copper area for electrical connection according to the rated current.

■ PRODUCT DIMENSION



■ INSTALLATION DIMENSION



■ FRONT VIEW



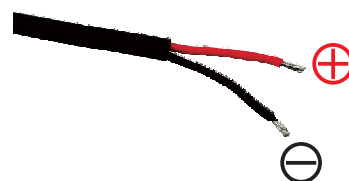
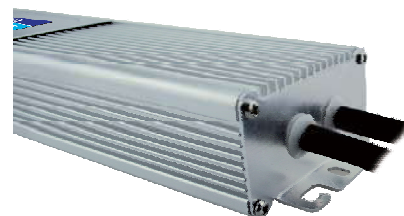
■ TOP VIEW



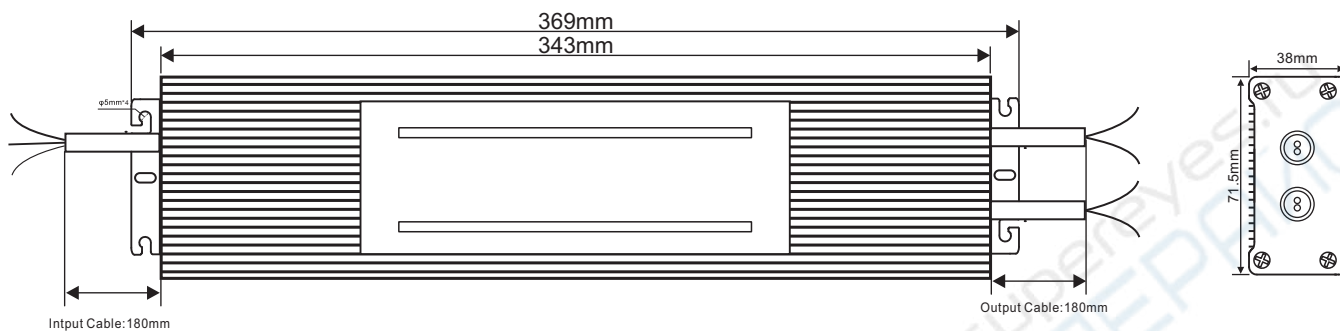
■ AC INPUT CONNECTION



■ DC OUTPUT CONNECTION



PRODUCT DIMENSION



INNER BOX



NET WEIGHT/Pcs:1.81KG

OUTSIDE CARTON



10Pcs/CTN



Weight:19KG