



A13.0210-DIC Metallurgical Microscope, BF/DF, DIC



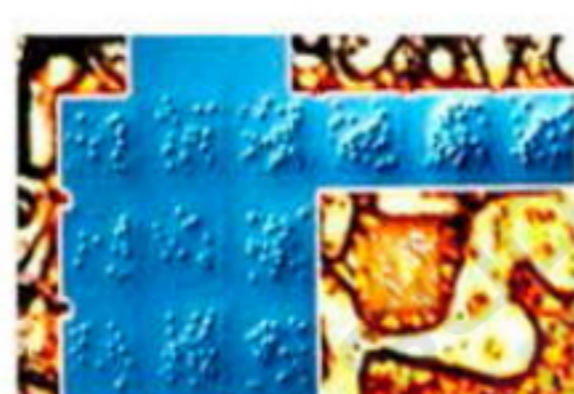
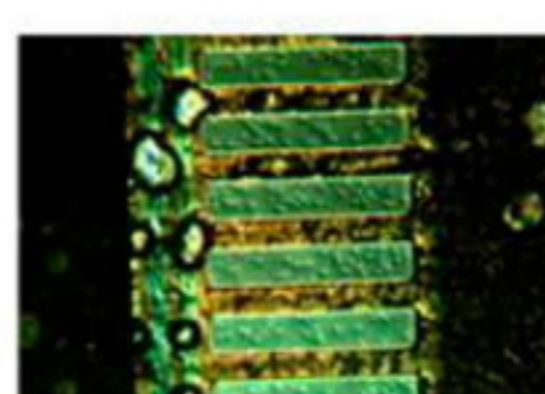
Product Details



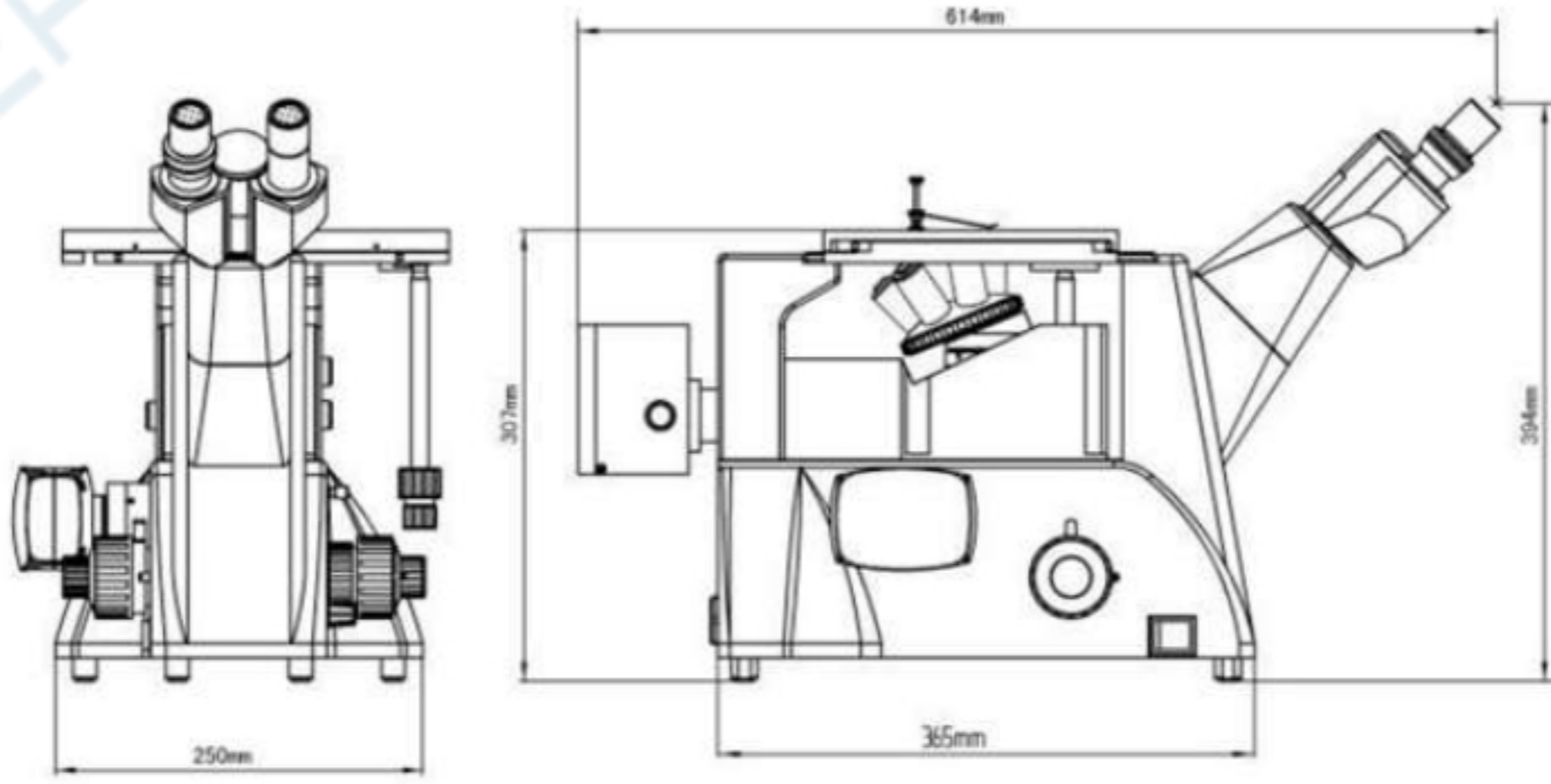
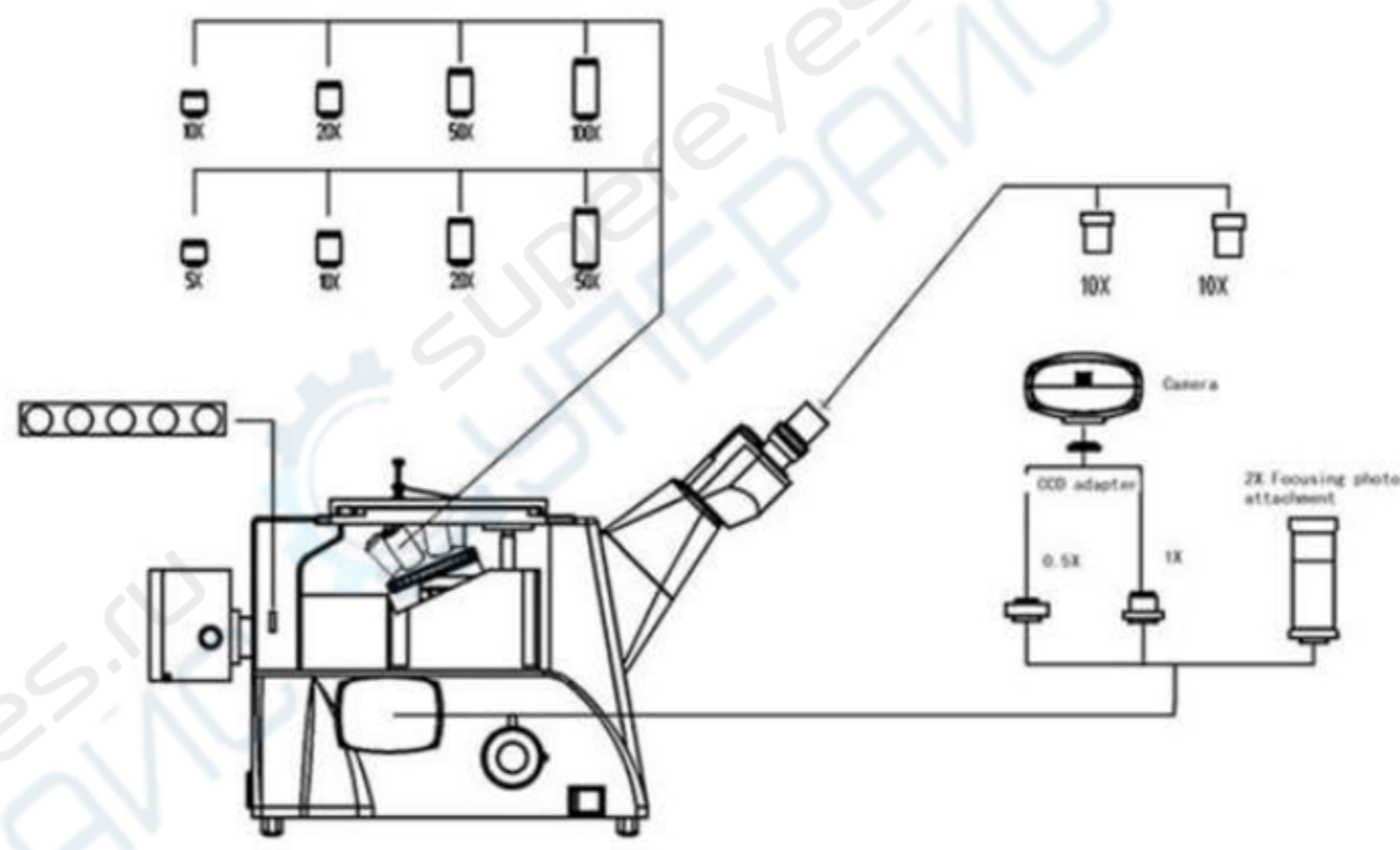
Binocular head:
inclination 45° and interpupillary distance: 53~75mm



Coaxial coarse/fine focus with tension
adjustable and up stop



Product Diagram & System Size



A13.0210 Inverted Metallurgical Microscope, Transmit & Reflect, BD, DIC, Polarizing		A13.0210	-BD	-DIC	-BDDIC	Cata. No.
Head	Binocular Head, Inclination 45°, Interpupillary Distance 53~75mm	•	•	•	•	
Eyepiece	WF10x/22mm,	••	••	••	••	A51.0202-1022
	Dividing WF10x/22mm, 0.1mm/Div	◊	◊	◊	◊	A51.0205-G10B
Nosepiece	Quintuple, Ball Bearing Inner Locating	•	•	•	•	
LWD Infinity Bright Field Plan Objective (No Cover Glass)	PLL2.5x/0.07mm, W.D.13mm	◊				
	PLL5x/0.12mm, W.D.26.1mm	◊				A5M.0235-5
	PLL10x/0.25mm, W.D.20.2mm	•				A5M.0235-10A
	PLL20x/0.40mm, W.D.8.8mm	•				A5M.0235-20
	PLL40x/0.60mm, W.D.3.98mm, Spring	◊				A5M.0235-40
	PLL50x/0.70mm, W.D.3.68mm, Spring	•		•		A5M.0235-50
	PLL60x/0.70mm, W.D.3.18mm, Spring	◊				A5M.0235-60A
	PLL80x/0.80mm, W.D.1.25mm, Spring	◊				A5M.0235-80
	PLL100x/0.85mm, W.D.0.4mm, Spring	•				A5M.0235-100
LWD Infinity Bright/Dark Field Plan Objective (No Cover Glass)	BD PLL5x/0.12mm, W.D.9.7mm		•			A5M.0237-5
	BD PLL10x/0.25mm, W.D.9.3mm		•			A5M.0237-10
	BD PLL20x/0.40mm, W.D.7.2mm		•			A5M.0237-20
	BD PLL40x/0.60mm, W.D.3.0mm, Spring		◊			A5M.0237-40
	BD PLL50x/0.70mm, W.D.2.5mm, Spring		•		•	A5M.0237-50
	BD PLL60x/0.75mm, W.D.1.9mm, Spring		◊			A5M.0237-60
	BD PLL80x/0.80mm, W.D.0.8mm, Spring		◊			A5M.0237-80
	BD PLL100x/0.85mm, W.D.0.22mm, Spring		◊			A5M.0237-100
	BD PLL100x/0.85mm, W.D.0.40mm, Spring		◊			A5M.0237-100A
LWD Infinity DIC Plan Objective (No Cover Glass)	LMPlan 5x/0.12mm, W.D.15.0mm			•		A5M.0238-5D
	LMPlan 10x/0.3mm, W.D.10.5mm			•		A5M.0238-10B
	LMPlan 20x/0.40mm, W.D.4.5mm			•		A5M.0238-20A
LWD Infinity DIC Bright/Dark Field Plan Objective	BD LMPlan 5x/0.12mm, W.D.7.9mm				•	A5M.0239-5A
	BD LMPlan 10x/0.3mm, W.D.6.03mm				•	A5M.0239-10A
	BD LMPlan 20x/0.40mm, W.D.1.4mm				•	A5M.0239-20A
DIC Observation	5x/10x/20x DIC Push-Pull Group Slide			•	•	
Working Stage	Double Layer Mechanical Stage, Size 242x200mm, Moving Range 30x30mm, Round Rotatable Stage Max Measurement Dia.130mm, Minimum Clear Aperture Less Than Dia.20mm	•	•	•	•	
Focusing	Coaxial Coarse & Fine Focu, With Tension Adjustment And Up Stop, Fine Focusing Minimum Division 2um	•	•	•	•	
Reflect Illumination	6V30W Halogen Lamp, Brightness Adjustable	•				
	12V50W Halogen Lamp, Brightness Adjustable		•	•	•	
	Epi Illumination Intergrate Field Diaphragm, Aperture Diaphragm, Filter Switching Device For Yellow, Blue, Green Filter & Ground Glass	•	•	•	•	
Polarizing	Push-Pull Type Polarizer	•	•	•	•	
	Built-in Analyzer And Switching Freely	•	•	•	•	
Adapter	0.4x C-Mount	◊	◊	◊	◊	A55.0202-1
	1.0x C-Mount	◊	◊	◊	◊	A55.0202-2
	0.5x C-Mount With Dividing 0.1mm/Div	◊	◊	◊	◊	A55.0202-3
	0.5x C-Mount	◊	◊	◊	◊	A55.0202-4
	Digital SLR Camera Adapter for Canon EF	◊	◊	◊	◊	A55.0204-1

Remark: '•' Means Standard Outfit, '◊' Means Optional