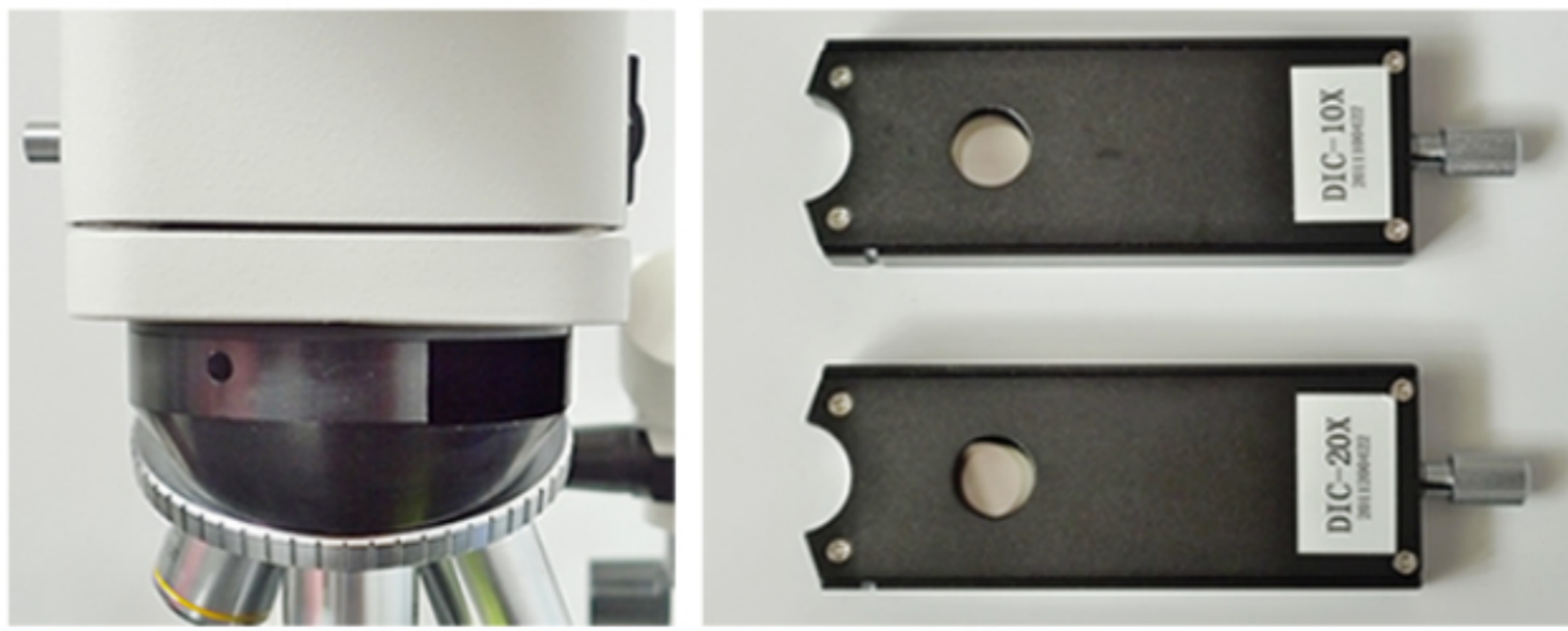




EPI Illumination System Push/Pull Analyzer & Polarizer



DIC Slot On Nosepiece

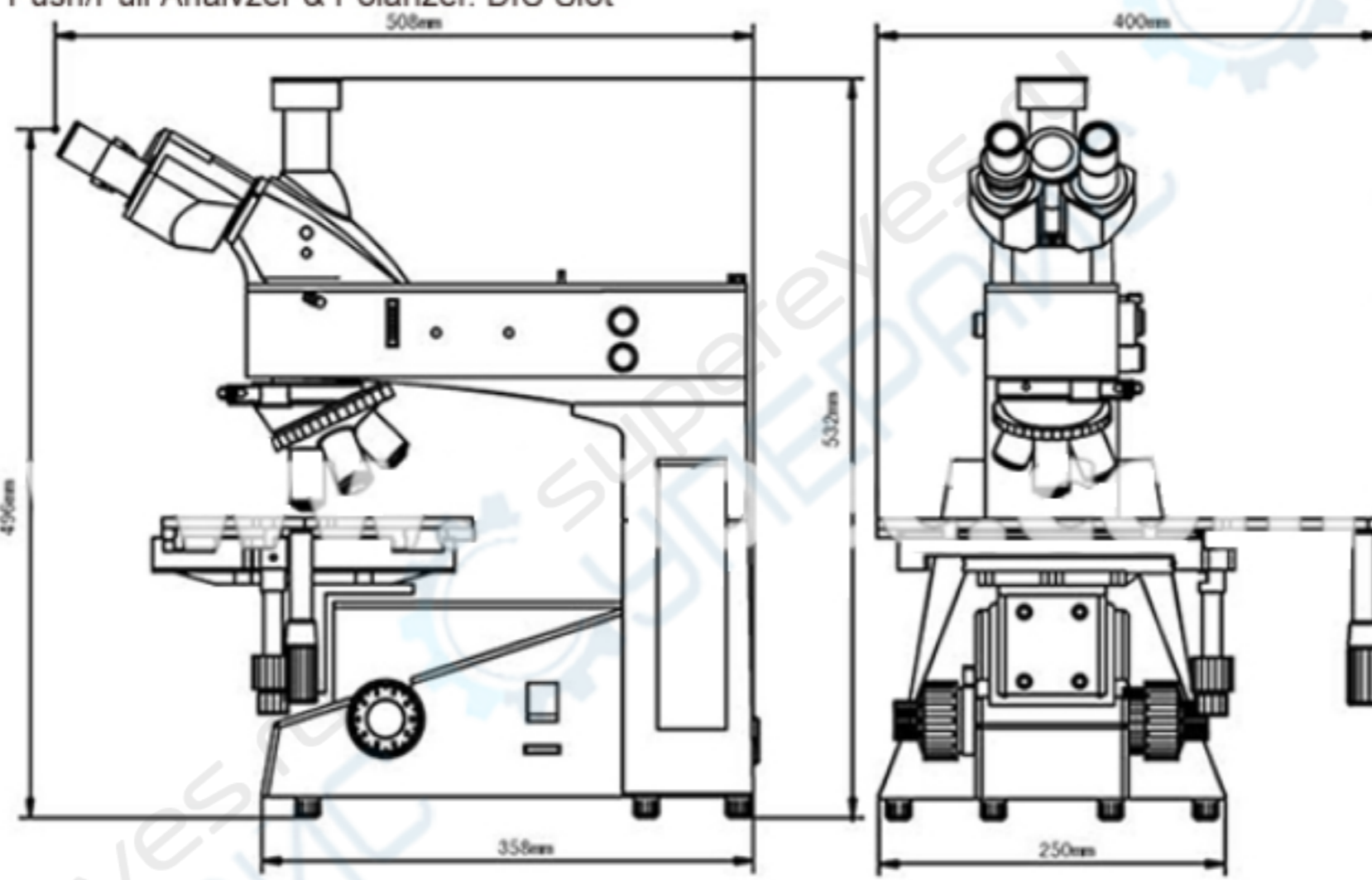
DIC Push/Pull Slides



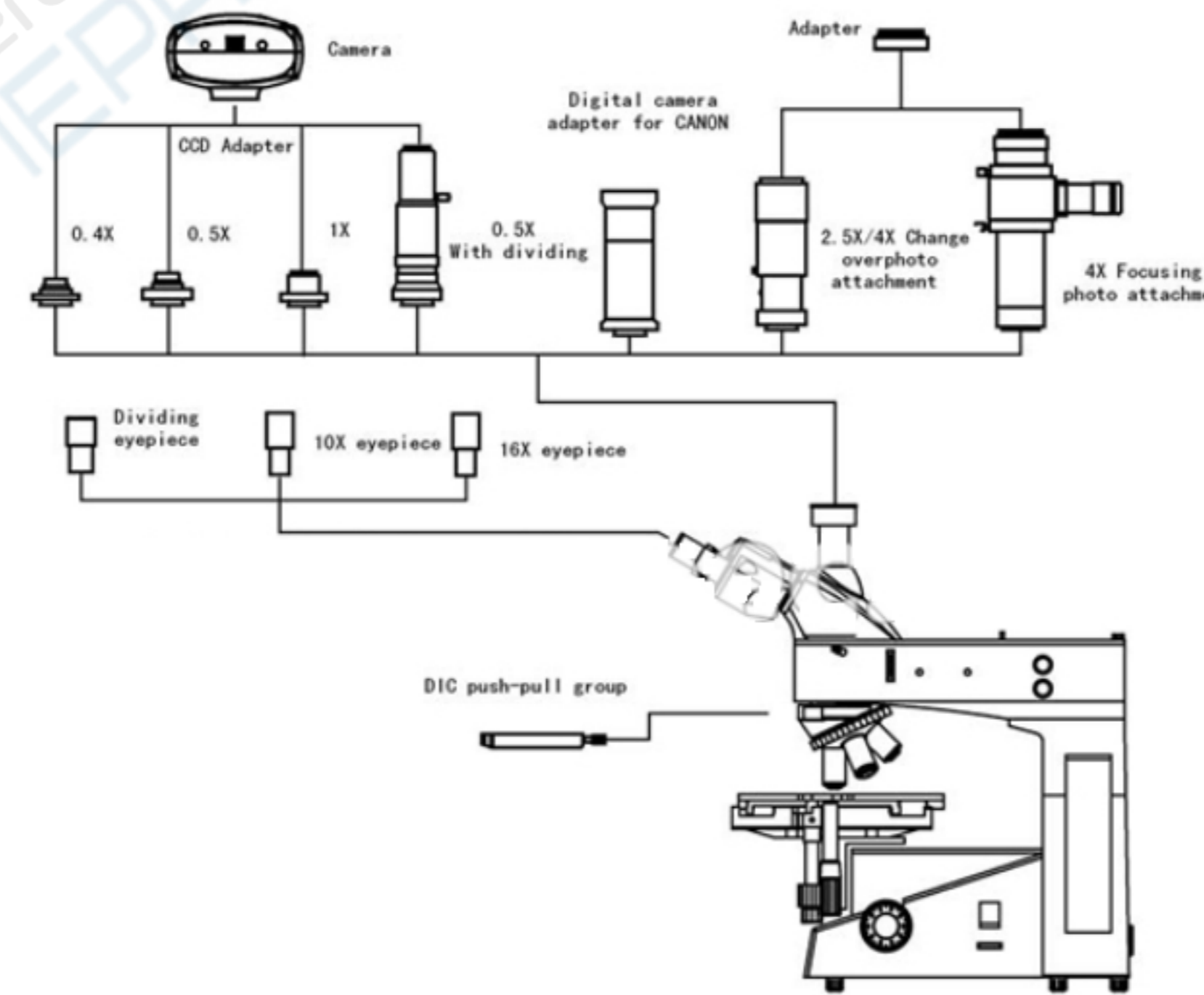
EPI Illumination System
Integrated Field Diaphragm, Aperture Diaphragm And (Y,B,G, Ground Glass) Switching Device.
Push/Pull Analyzer & Polarizer. DIC Slot



DIC Observation System
DIC Push/Pull Slides,
DIC Objectives 5x, 10x, 20x



A13.0215 Metallurgical Microscope, BF/DF, DIC, System Size



A13.0215 Metallurgical Microscope, BF/DF, DIC, System Diaphragm

	A13.0215	A13.0215-BD
Head	Trinocular Head, 30° Inclined, Interpupillary Distance 53~75mm	
Eyepiece	WF10x/22mm Plan Eyepiece	
Nosepiece	Backward Quintuple Nosepiece, Ball Bearing Inner Locating	
Objective	Infinity LWD Plan Achromatic Coverless PL5x/0.12, W.D.26.1mm PL10x/0.25, W.D. 20.2mm PL20x/0.40, W.D.8.8mm PL50x/0.70, W.D. 3.68mm (S) PL80x/0.80, W.D.1.28mm (S,O)	BD Infinity LWD Plan Achromatic Coverless PL5x/0.12, W.D.29.7mm PL10x/0.25, W.D. 9.3mm PL20x/0.40, W.D.7.23mm PL50x/0.70, W.D. 2.50mm (S) PL80x/0.80, W.D.1.25mm (S,O) (Optional)
Working Stage	Large Mechanical Stage 280*270mm, Moving Range 204*204mm	
Focusing	Coaxial Coarse & Fine Focus Knob, With Tension Adjustable And Limit Stopper, Minimum Division 0.8um	
Polarizing	Polarizer Enable 360° Rotate And Switched In/Out Analyzer Can Be Switched In/Out	
Light Source	12V50W Halogen Lamp, Brightness Adjustable	
DIC	DICPush/Pull Slids, DIC Objectives 5x,10x,20x	
A13.0215 DIC BD Metallurgical Microscope Optional Accessories		
Eyepiece	WF10x/22mm Dividing Eyepiece	A51.0205-G10B
	Retical Eyepiece, WF10x/20mm, Micrometer Div 0.1mm	A51.0205-10
Infinity LWD Plan Achromatic Coverless Objective	PL40x/0.6, W.D.3.98mm	A5M.0235-40
	PL60x/0.75, W.D.1.22mm	A5M.0235-60
	PL100x/0.85, W.D.0.4mm, Dry	A5M.0235-100
Working Stage	Large Mechanical Stage 250*230mm, Moving Range 154*154mm	A54.0205-18
Adapter	CCD Adapter 0.5x	A55.0202-04
	CCD Adapter 1.0x	A55.0202-02
	CCD Adapter 0.5x With Dividing 0.1mm/Divv	A55.0202-03
	Digital SLR Camera Adapter for Canon EF Series	A55.0204-02