



OPTO-EDU (BEIJING) CO., LTD.

F-1501 Wanda Plaza, No.18 Shijingshan Road, Beijing 100043, China  
Tel:+8610 88696020 Fax:+8610 88696085

# A23.0910

## Parallel Zoom Stereo Microscope, 0.63x~8x,1:12.5, APO



## A23.0910-B1,B2,B10 Series Microscope



### A23.0910-B1

Zoom Stereo Microscope, Parallel Light,  
0.63x~8x,1:12.5,  
B1 Track Stand, Without Bottom Light,  
Upper LED Ring Light



### A23.0910-B10

Zoom Stereo Microscope, Parallel Light,  
0.63x~8x,1:12.5,  
B10 Track Stand, Bottom Light 5W LED Color  
Temperature Adjustable, Upper LED Ring  
Light



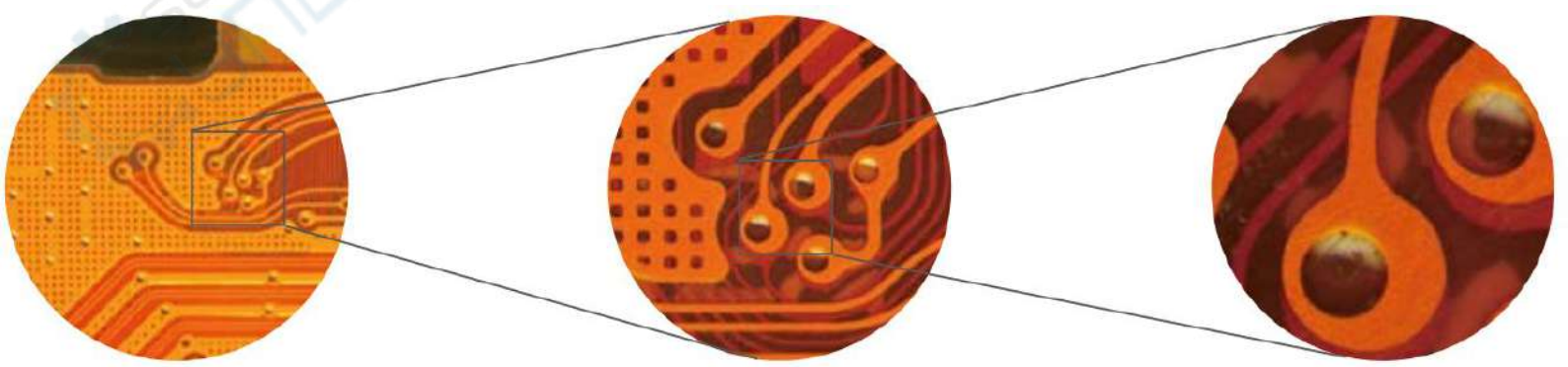
### A23.0910-B2

Zoom Stereo Microscope, Parallel Light,  
0.63x~8x,1:12.5,  
B2 Track Stand, Bottom Light Mirror  
360° Rotatable, Upper Light 5W LED  
External Power Box + Single Optical  
Fiber 500mm



## Head

5~45° Tilting trinocular head & pl 10x/23mm eyepiece.



## Large Zoom Ratio 12.5:1

Large zoom ratio from 0.63X to 8X, with click stop for every main time, which can be manually unbind for zoom magnifying smoothly.



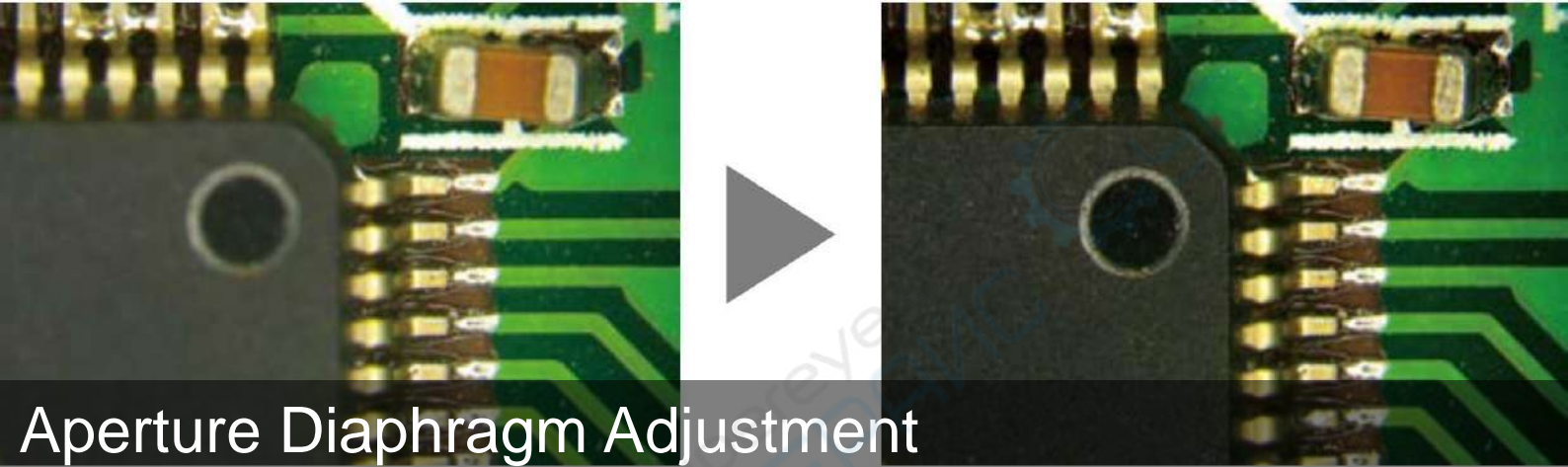
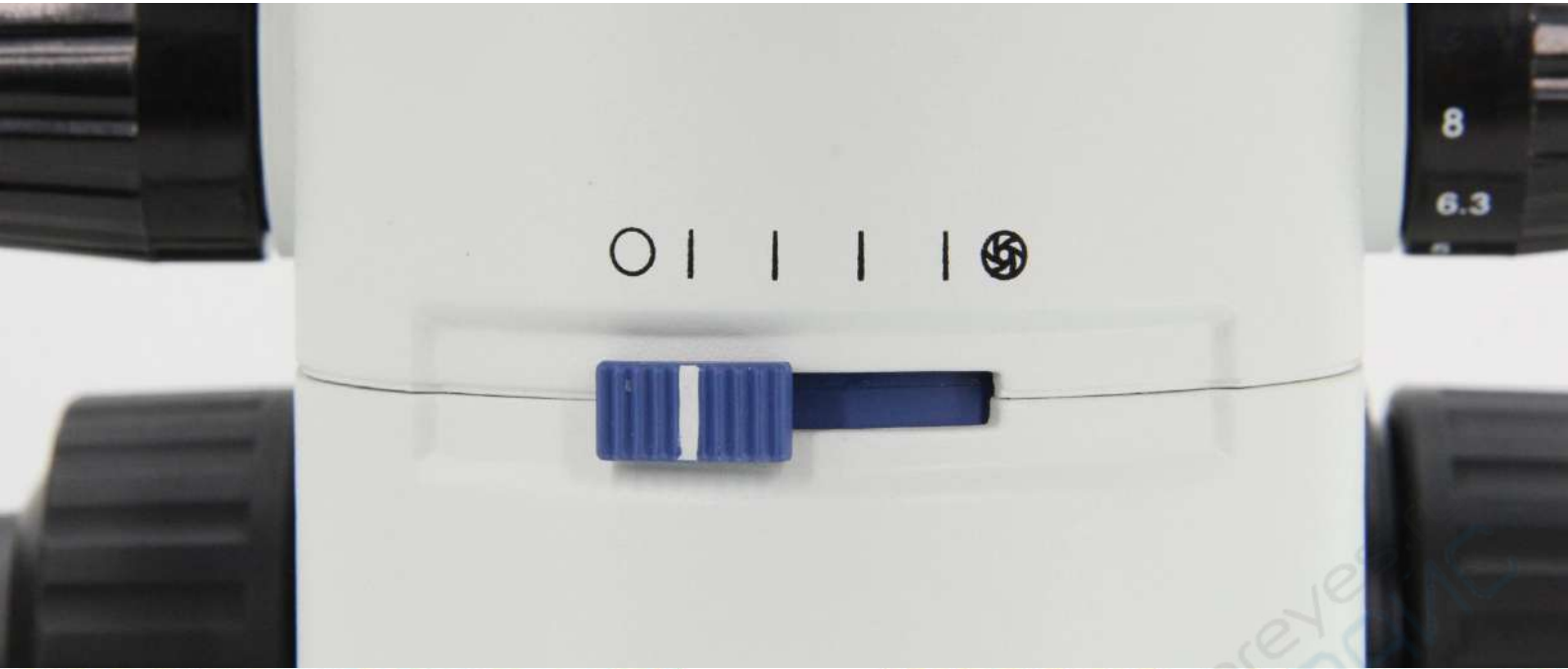
## Apochromatic Objective

1.0x main objective apo, working distance 78.0mm, 0.5x, 1.5x, 2x optional.



## Coaxial Coarse And Fine Focusing

Large zoom ratio from 0.63X to 8X, with click stop for every main time, which can be manually unbind for zoom magnifying smoothly.



# Aperture Diaphragm Adjustment

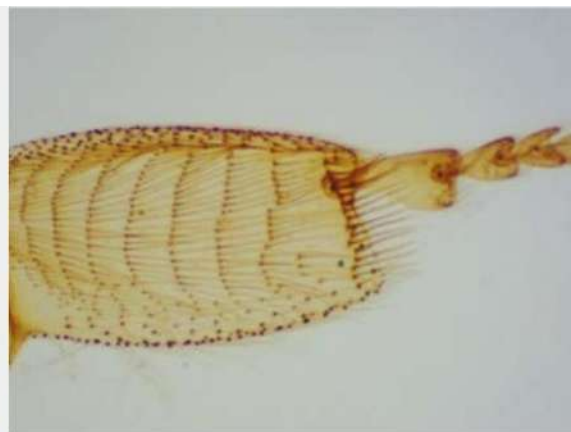
Shift the aperture diaphragm in front to adjust depth of field for high-quality image.



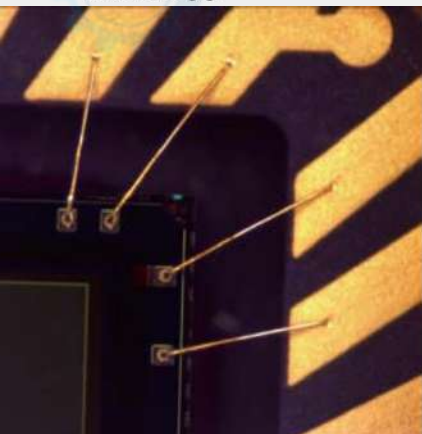
Zebra egg



Nematode

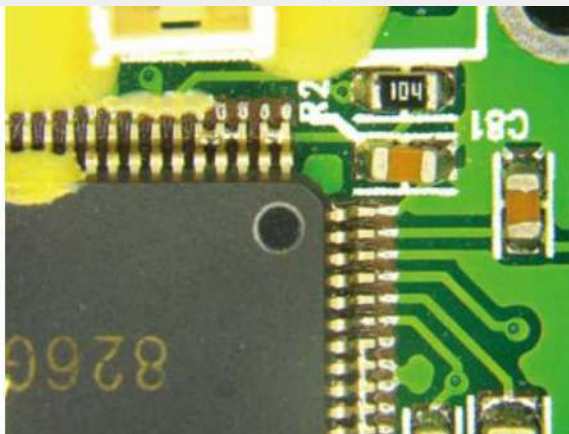


Bee leg

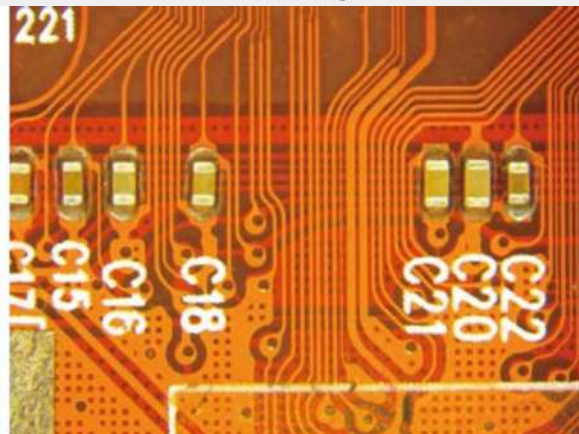


Chip bonding

optoedu.com

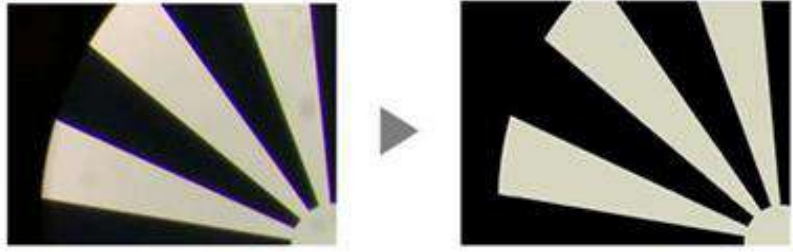


PCB



FPC

sale@cnoec.com



## Apochromatic Objective

Apochromatic design significantly improves the lens performance of color rendition.



3200K



5600K

## Optical Color Temperature

Adjust the color temperature to create a perfect imaging background for different samples in different work environment.



www.optoedu.com



6



sale@cnoec.com



## Upper Illumination (B1,B10)

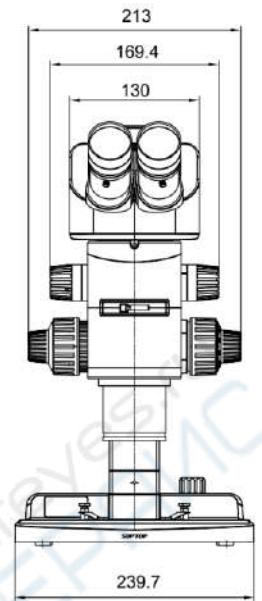
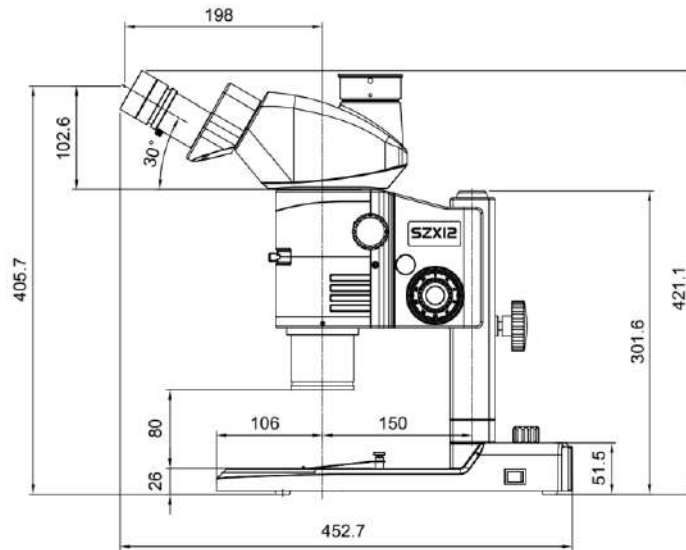
External led ring light (200 bulbs), wide voltage 100-220v



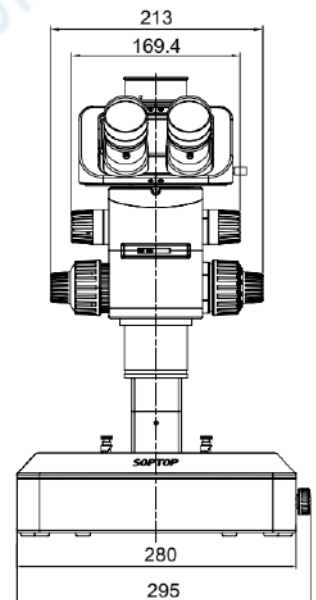
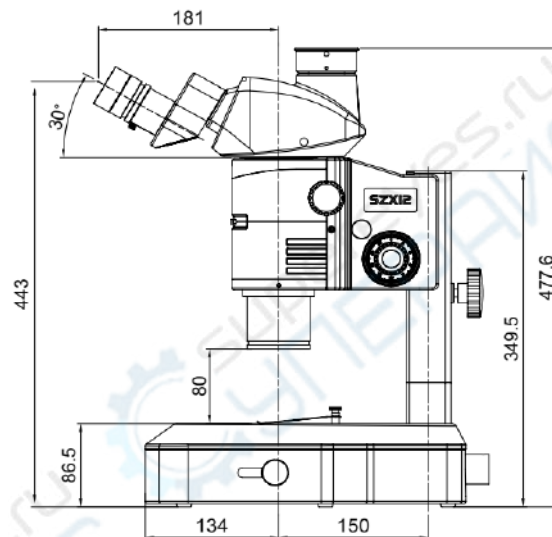
## Bottom Illumination (B2)

External 5w led optical fiber module, color temperature 5000-5500k white light, with single optical fiber 500mm (use with b2 base)

## A23.0910-B10



## A23.0910-B2

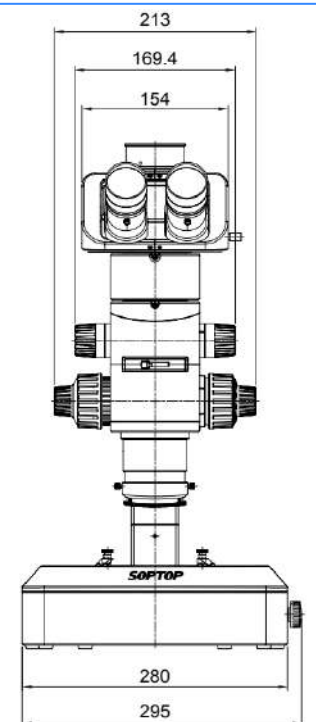
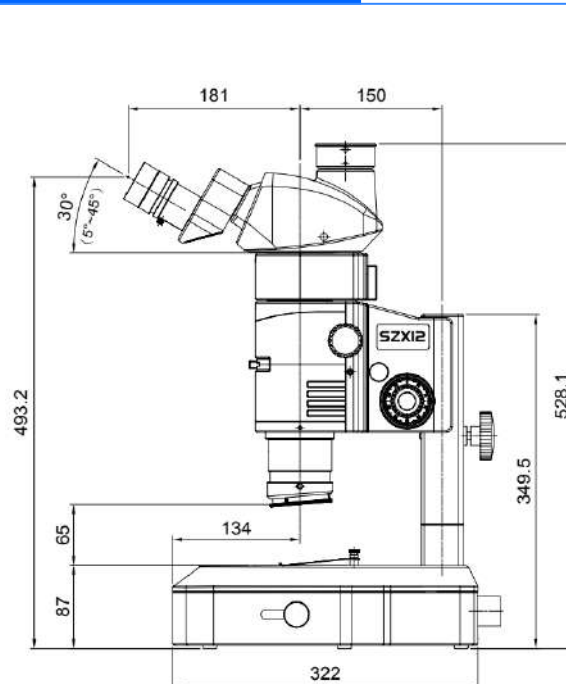


## A23.0910-B2+Coaxial Illumination



### Coaxial Illumination

1.5X, with  $1/4 \lambda$ , 360° rotatable, 20W LED fiber cold power supply, intensity adjustable. With soft double fiber, 1m.





# Specification



**A23.0910-B1**



**A23.0910-B2**



**A23.0910-B10**

A23.0910 Zoom Stereo Microscope, Zoom Ratio 1:12.5, Parallel Light		B1	B2	B10	Cata. No.
Head	5°~45° Tilting Trinocular Head, Light Splitting Switch E100:P0/E0:P100, Inter-Pupillary Distance 50~76mm, With Eyepiece Lock	●	●	●	
	30° Inclined Trinocular Head, Light Splitting Fixed E50:P50, Inter-Pupillary Distance 50~76mm, With Eyepiece Lock				
Eyepiece	PL10x/23mm High Eye-Point Wide Field Plan Eyepiece, Diopter Adjustable	●	●	●	A51.0925-10
	PL15x/16mm High Eye-Point Wide Field Plan Eyepiece, Diopter Adjustable	○	○	○	A51.0925-15
	PL20x/12.5mm High Eye-Point Wide Field Plan Eyepiece, Diopter Adjustable	○	○	○	A51.0925-20
Lens	Zoom Lens 0.63x~8x, Zoom Ratio 1:12.5, Built-in Aperture Diaphragm Adjustable, Main Scales On Zoom Knob 0.63x, 0.8x, 1.0x, 1.25x, 1.6x, 2.0x, 2.5x, 3.2x, 4x, 5x, 6.3x, 8x, Switch Between With/Without Click Stop	●	●	●	
Auxiliary Objective	0.5x Main Objective APO, Working Distance 70.5mm	○	○	○	A52.0930-05
	1.0x Main Objective APO, Working Distance 80.0mm	●	●	●	A52.0930-10
	1.5x Main Objective APO, Working Distance 31.1mm	○	○	○	A52.0930-15
	2.0x Main Objective APO, Working Distance 20.0mm	○	○	○	A52.0930-20
Nosepiece	Double Nosepiece	○	○	○	
Frame	Coaxial Fine & Coarse Focusing Mechanism, Integrated Focus Holder And Stand, Focusing Range 50mm, Fine Focusing Precision 0.002mm	●	●	●	
Base & Bottom Light Source	(B1) Plan Base Without Illumination, With Black/White Plate Dia.100mm	●	-	-	
	(B2) Thick Base Built-in Inclined Mirror 360° Rotatable + Position Adjustable, Working With External 5W LED Optical Fiber	-	●	-	
	Forearm Holder (Matching Use With B2 Base)	-	○	-	A54.0965
	(B10) Ultra-Thin Base, Built-in Bottom Illumination 5W LED, With Digital Readout LCD Screen of Color Temperature 3200~5600K & Light Intensity Adjustable	-	-	●	
Light Source	Upper Illumination: External LED Ring Light (200 Bulbs), Wide Voltage 100-220V	●		●	A56.0930-L
	Bottom Illumination: External 5W LED Optical Fiber Module, Color Temperature 5000-5500K White Light, Wide Voltage 100-220V, Output 12V5W, Power Supply Box Size 270x100x130mm, With Single Optical Fiber 500mm (Use With B2 Base)	-	●	-	A56.0930-B
	Coaxial Illumination: 1.5x, With 1/4 λ, 360° Rotatable, 20W LED, Intensity Adjustable, With Power Supply Box, With Soft Double Optical Fiber 1000mm	○	○	○	A56.0930-C
Polarizing	Polarizer Fixed On Bottom Light Source (For Transmit Light)	-	○	○	A5P.0925-P
	Analyzer Attached Under Lens, 360° Rotatable (For Transmit Light)	-	○	○	A5P.0925-A
Adapter	0.35x C-mount Adapter, Focus Adjustable	○	○	○	A55.0930-35
	0.5x C-mount Adapter, Focus Adjustable	○	○	○	A55.0930-05
	0.65x C-mount Adapter, Focus Adjustable	○	○	○	A55.0930-65
	1.0x C-mount Adapter, Focus Adjustable	○	○	○	A55.0930-10
Allen key	M4 allen key (3mm)	●	●	●	
Package	Sponge And Carton, One Set/Carion, Carton Size 58.5x55x81cm	●	●	●	

● Means Standard Outfit ○ Means Optional Parts - Mean Not Match



**A56.0930-L**

optoedu.com



**A56.0930-B**

9



**A56.0930-C**

sale@cnoec.com



---

MICROSCOPE IS OUR FOCUS

# The Key To Micro World

Opto-Edu is one of the most professional supplier for microscope & educational instruments from China. We have been focusing in this field for more than 25 years, has a professional sales team who can assist our customer to find the BEST SELECTED microscope with competitive price and 3 YEARS Warranty.

25+ Year professional experience we know Microscopes the best!  
150+ Microscope & accessory manufacturers supply all models from China  
200+ Hot sale microscopes & Newest Models Updated Every Month  
750+ Customer from all over the world & keep rising every day  
1500+ Microscope products create your one-stop purchase platform  
3000+ Educational Instruments For School, College And University Teaching  
The Most Professional Microscope Manufacturer in China!



MICRO  
WORLD

The Key To OPTO-EDU



Opto-Edu (Beijing) Co.,Ltd.

F-1501 Wanda Plaza, No.18 Shijingshan Road, Beijing 100043, China

Official Main Website: [www.optoedu.com](http://www.optoedu.com)

[www.cnoec.com.cn](http://www.cnoec.com.cn), [www.optoedumicroscope.com](http://www.optoedumicroscope.com), [www.microscopemadeinchina.com](http://www.microscopemadeinchina.com)

Skype: xincnoec Wechat, Mobile,WhatsApp: +86 13911110627

Tel: +86 10 88696085 Email: [sale@optoedu.com](mailto:sale@optoedu.com)

