



# A23.1008

## Flourescent Parallel Zoom Stereo Microscope, APO, Zoom Ratio 18:1



## Product Details

### Parallel Stereo Microscope With FL, PL, DF, BF/DF, APO Functions

- Stereo Microscope Upgradeable to Fluorescent Model
- Zoom Range 0.75x-13.5x, Total Magnification 7.5x-135.0x
- Zoom Ratio 18:1, Covers Macro And Microscopy
- Ergonomic Trinocular Head 20° Include With Tiltting Heads Options
- Plan-Apo Lens For Excellent Image Quality



A23.1008



A23.1008 + Coaxial Illumination



A23.1008-FL

## Product Details

### CMO (Galilean) Parallel Zoom Stereo Microscope, A23.1008

This system has a parallel optical path into which various intermediate tubes, including a beam splitter, coaxial episcopic illuminator, epi-fluorescence attachment, teaching head, drawing tube and eye-level riser, can be inserted.

OPTO-EDU has developed a stereo microscope model A23.1008 that features a large zoom ratio 18:1, high resolution and exceptional fluorescence transmission capability. These models meet the increasing needs for imaging systems that span spatial scales from single cells to whole organisms.



### Plan APO Objective Series

The Plan Apo series features higher NA, wider field of view and superior flatness and color aberration correction. These objective lenses can be seamlessly switched because all magnifications have the same parfocal distance. The bayonet mount design allows lenses to be safely and easily removed.



	Plan Apo 0.5x	Plan Apo 1x	Plan Apo 1.6x	Plan Apo 2x
Maximum NA	0.075	0.15	0.24	0.3
Working Distance	71mm	60mm	30mm	20mm
Correction Ring	–	–	–	3mm Water Depth
Wavelength	380-700nm			

## Product Details

### LED DIA base with a built-in OCC illuminator

The Plan Apo series features higher NA, wider field of view and superior flatness and color aberration correction. These objective lenses can be seamlessly switched because all magnifications have the same parfocal distance. The bayonet mount design allows lenses to be safely and easily removed.

#### What is OCC illumination?

The acronym OCC stands for oblique coherent contrast (OCC), which is a form of oblique lighting method. Compared to conventional diascopic illumination that illuminates directly from below, OCC illumination applies coherent light to samples in a diagonal direction, giving contrast to colorless and transparent sample structures.



### Long Working Distance Wide View Field

1x APO objective provide a working distance 60mm to facilitate you to place and move samples easily. N.A. upto 0.15 can provide clarity for further study. It also supplied a wider and more comprehensive sample area in wide view field 31.4mm



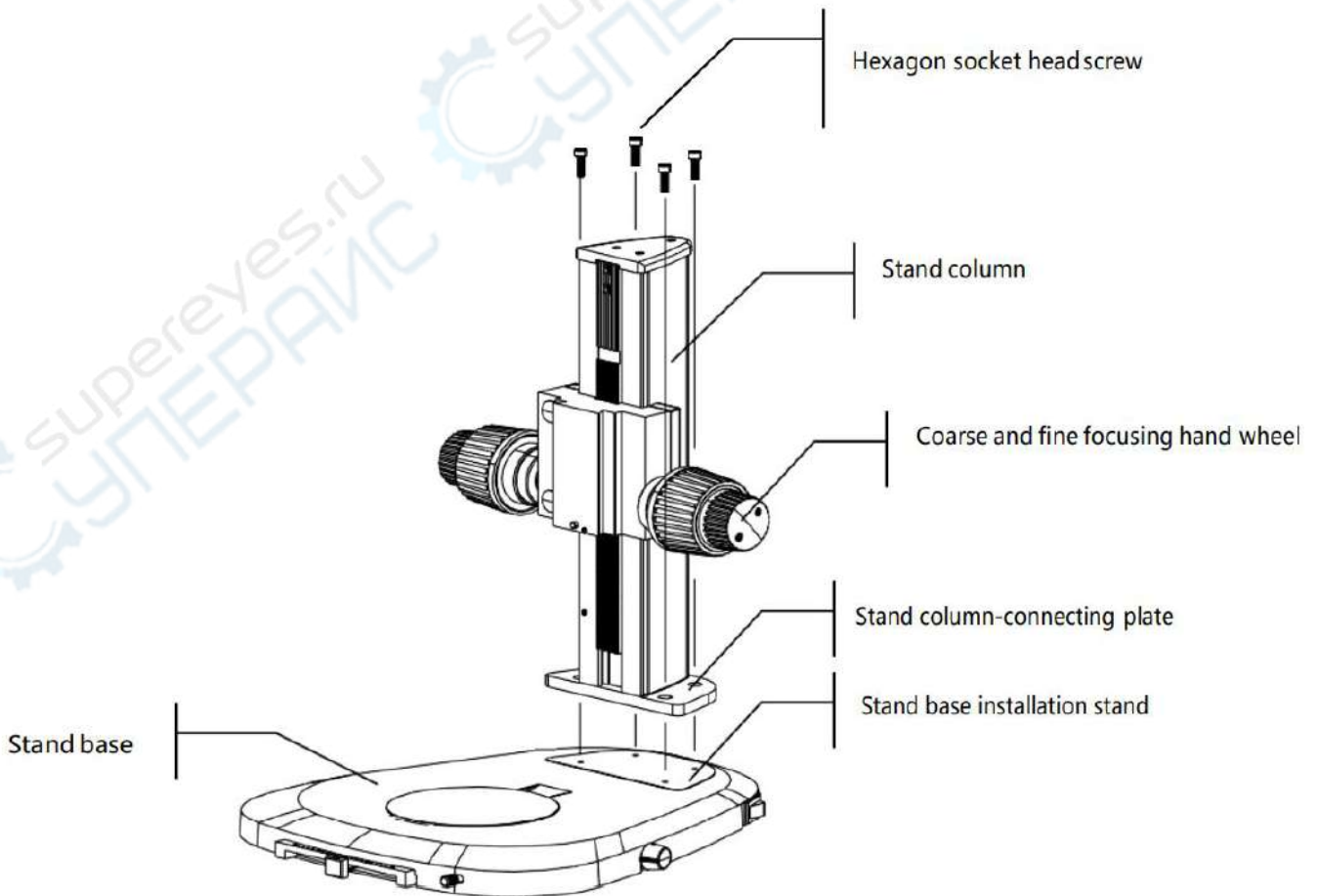
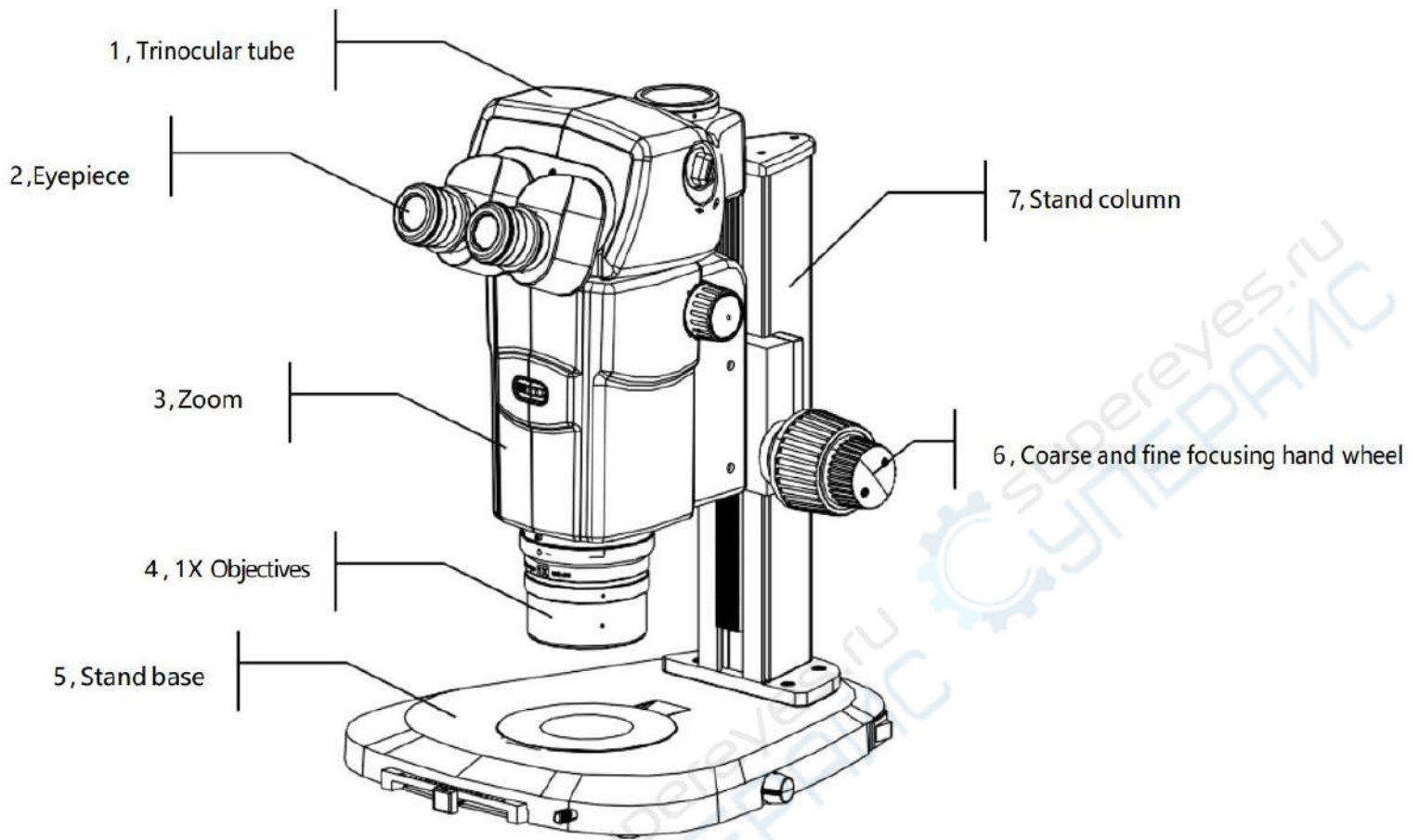
### View Head For Comfortable Use

The viewing head of inclination  $20^\circ$  enable user to observe image in the most natural and comfortable position. This can minimize the visual fatigue cause by long time working.

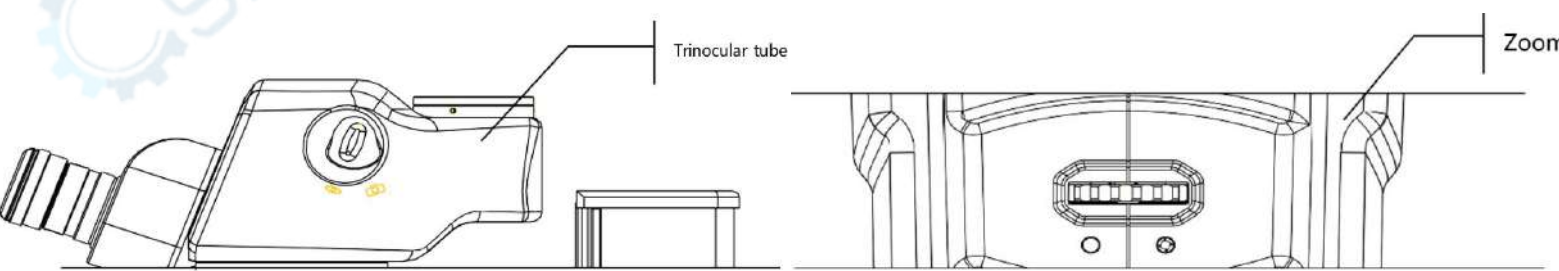
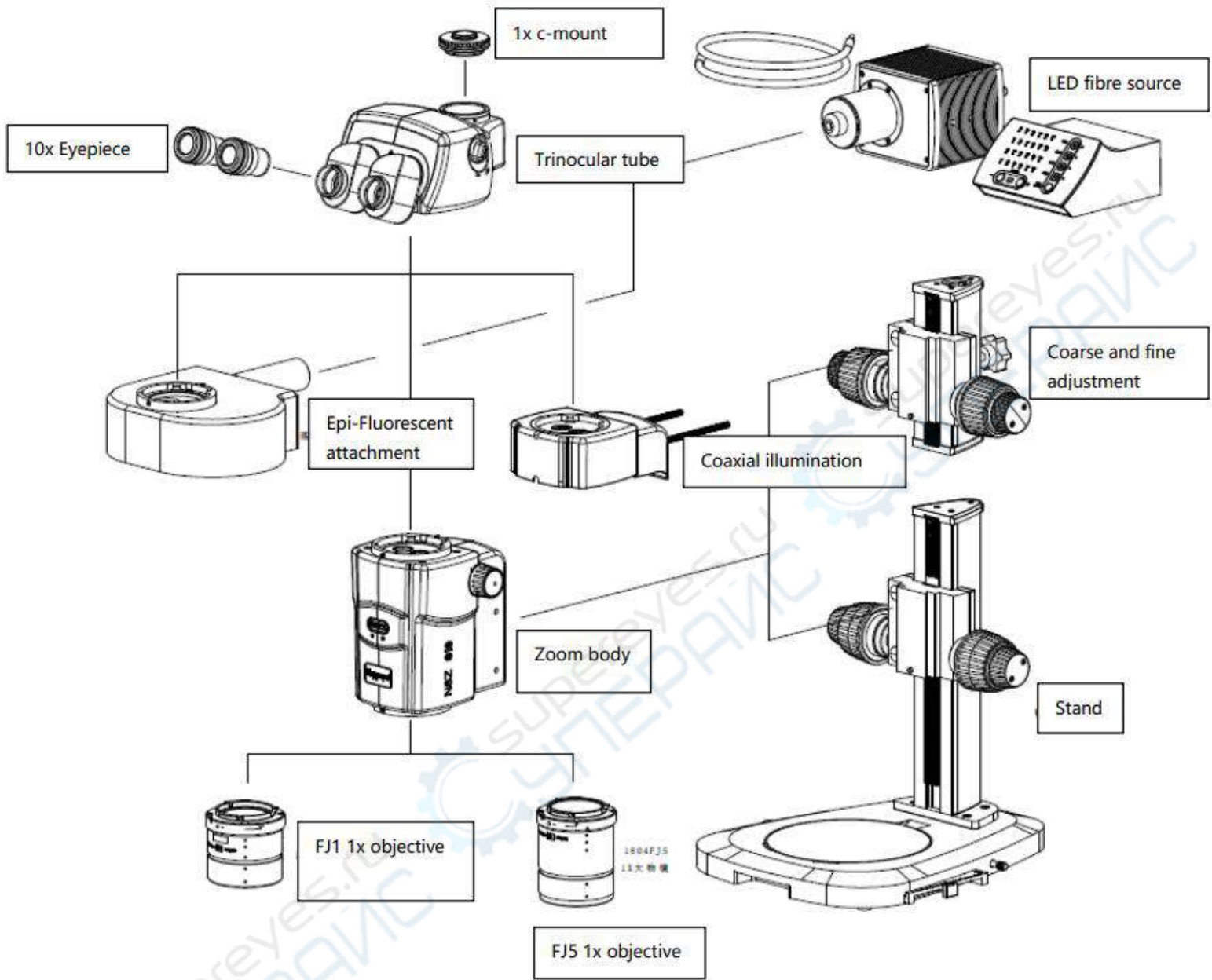
## Product Details



# Product Details



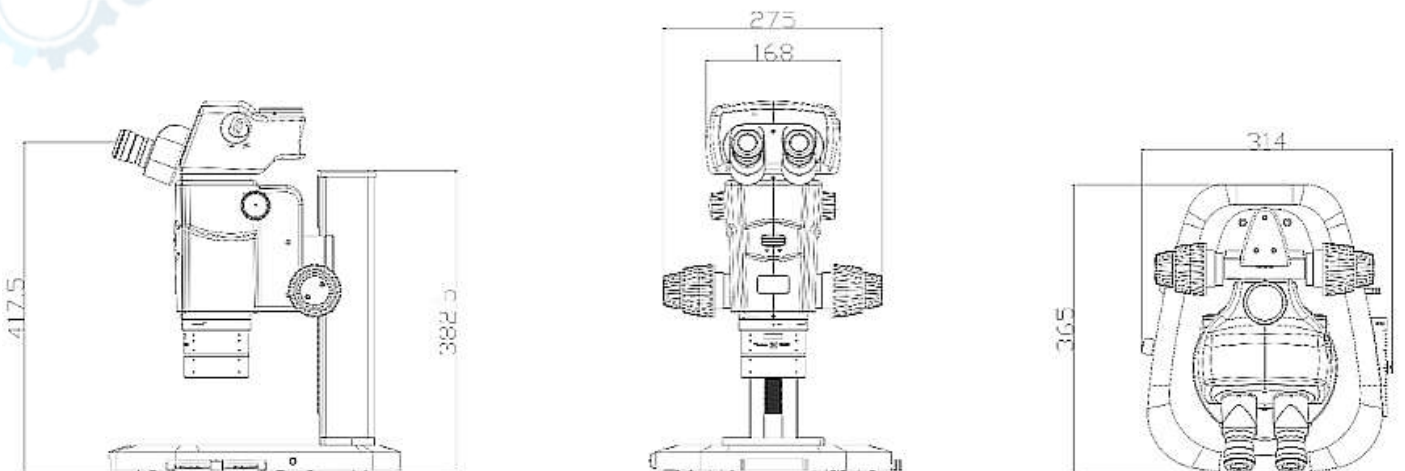
# Product Details



# Specification

Flourescent Parallel Zoom Stereo Microscope		A23.100 8	A23.100 8-FL
Optical System	Parallel Zoom Apochromatic Optical System	●	●
Function	BF, FL, PL, DF, Oblique Light	○	●
Magnification	7.5x~135x	●	●
Zoom Ratio	18:01	●	●
Head	Trinocular Head, Inclined 20°, Light Split E100:P0/E0:P100	●	●
	Cold Light Power Supplier, Optical Fiber, Coaxial Episcopic Illuminator	○	○
	Tilting Trinocular Head, Inclined 0-30°, Light Split E100:P0/E50:P50	○	○
Eyepiece	WF10x/23mm, Diopter Adjustable, Pair	●	●
Objective	Plan APO 1.0x, N.A.0.15, W.D.60mm	●	●
Focusing	Manual Coarse F60+90mm	●	●
Stand	LED 3D Lighting Base, Built-in OCC Illumination	●	●
Coaxial Illumination	Cold Light Power Supplier, Optical Fiber, Coaxial Episcopic Illuminator	○	○
Epi-Fluorescent Attachment	6 Holes Turret Fluorescent Incident Illuminator, Light Shading Plate		●
	4 Bands LED FL Light Sources, With Control Box		●
	1/4λ Plat		●
	Bright Field Cube		●
	Fluorescent Cube B, BP460-490,DM500, BA520		●
	Fluorescent Cube G, BP510-550,DM570, BA590		●
	Fluorescent Cube U, BP330-385,DM400, BA420		●
	Fluorescent Cube V, BP400-410,DM455, BA455		●
	Fluorescent Cube FITC, BP460-495,DM505, BA510-550		○
	Fluorescent Cube DAPI, BP360-390,DM415, BA435-485		○
Fluorescent Cube TRITC, BP528-553,DM565, BA578-633		○	

## A23.1008 System Size Diaohraam





MICROSCOPE IS OUR FOCUS

# The Key To Micro World

Opto-Edu is one of the most professional supplier for microscope & educational instruments from China. We have been focusing in this field for more than 25 years, has a professional sales team who can assist our customer to find the BEST SELECTED microscope with competitive price and 3 YEARS Warranty.

25+ Year professional experience we know Microscopes the best!  
150+ Microscope & accessory manufacturers supply all models from China  
200+ Hot sale microscopes & Newest Models Updated Every Month  
750+ Customer from all over the world & keep rising every day  
1500+ Microscope products create your one-stop purchase platform  
3000+ Educational Instruments For School, College And University Teaching  
The Most Professional Microscope Manufacturer in China!



MICRO  
WORLD

The Key To OPTO-EDU



Opto-Edu (Beijing) Co.,Ltd.

F-1501 Wanda Plaza, No.18 Shijingshan Road, Beijing 100043, China

Official Main Website: [www.optoedu.com](http://www.optoedu.com)

[www.cnoec.com.cn](http://www.cnoec.com.cn), [www.optoedumicroscope.com](http://www.optoedumicroscope.com), [www.microscopemadeinchina.com](http://www.microscopemadeinchina.com)

Skype: xincnoec Wechat, Mobile,WhatsApp: +86 13911110627

Tel: +86 10 88696085 Email: [sale@optoedu.com](mailto:sale@optoedu.com)

