



OPTO-EDU (BEIJING) CO., LTD.

F-1501 Wanda Plaza, No.18 Shijingshan Road, Beijing 100043, China  
Tel:+8610 88696020 Fax:+8610 88696085

# A23.2603/A23.2604/A23.2605

## Zoom Stereo Microscope



## A23.2603/A23.2604/A23.2605 Zoom Stereo Microscope



**A23.2603-B**



**A23.2603-BL**



**A23.2604-B/A23.2605-B**



**A23.2604-BL/A23.2605-BL**



**A23.2604-T/A23.2605-T**



**A23.2604-TL/A23.2605-TL**

# Product General Layout Diagram



## Product Details

Trinocular + SLR Camera



Trinocular + WiFi Camera



### Eyepiece

Eyepiece tube Dia.30mm, High eyepoint, diopter adjustable

### Zoom Lens

With auxiliary 0.5x/0.75x/2.0x lens to get higher magnification

### Trinocular Inclined 35° , Light Split Switch E100:P0/E0:P100

Rotating switching to video output and input, 100% light distribution

### Zoom Knob

Zoom knob with magnifying **stop pin**, User can limit the zoom range as per self-choice



**Up/Bottom 3W LED**  
**Powered By Safety Low Voltage Charger**  
 Input Wide Voltage 100V-240V, Output 5V1A, Support Power Bank Supply For Outdoor Use

## Technical Data

### A23.2603 Zoom Lens 0.7x~4.5x, Zoom Ratio 1:6.5 Technical Data

Auxiliary Lens		0.5x	0.75x	1x (Standard)	2.0x
Working Distance		184mm	128 mm	108mm	40mm
Eyepieces 10x/22mm	Magnification	3.5x~22.5x	5.25x~33.75x	7x~45x	14x~90x
	View Field (mm)	62.86~9.78	41.91~6.52	31.43~4.89	15.72~2.45
Eyepieces 15x/16mm	Magnification	5.25x~33.75x	7.87x~50.63x	10.5x~67.5x	21x~135x
	View Field (mm)	48.57~7.56	32.38~5.04	24.29~3.78	12.14~1.89
Eyepieces 20x/12mm	Magnification	7x~45x	10.5x~67.5x	14x~90x	28x~180x
	View Field (mm)	37.14~5.78	24.76~3.85	18.57~2.89	9.29~1.44

### A23.2604 Zoom Lens 0.68x~4.7x, Zoom Ratio 1:6.8 Technical Data

Auxiliary Lens		0.5x	0.75x	1x (Standard)	2.0x
Working Distance		184mm	128 mm	108mm	40mm
Eyepieces 10x/23mm	Magnification	3.4x~23.5x	5.1x~35.3x	6.8x~47x	13.6x~94x
	View Field (mm)	67.65~9.75	45.1~6.52	33.82~4.89	16.91~2.45
Eyepieces 15x/16mm	Magnification	5.1x~35.3x	7.65x~52.9x	10.2x~70.5x	20.4x~141x
	View Field (mm)	50.0~7.23	33.33~4.82	25.0~3.62	12.5~1.81
Eyepieces 20x/12mm	Magnification	6.8x~47x	10.2x~70.5x	13.6x~94x	27.2x~188x
	View Field (mm)	38.24~5.53	25.49~3.69	19.12~2.77	9.56~1.38

### A23.2605 Zoom Lens 0.65x~5.3x, Zoom Ratio 1:8.1 Technical Data

Auxiliary Lens		0.5x	0.75x	1x (Standard)	2.0x
Working Distance		184mm	128 mm	108mm	40mm
Eyepieces 10x/24mm	Magnification	3.25x~26.5x	4.88x~39.75x	6.5x~53x	13x~106x
	View Field (mm)	73.85~9.06	49.18~6.04	36.92~4.53	18.46~2.27
Eyepieces 15x/16mm	Magnification	4.88x~39.75x	7.32x~59.63x	9.75x~79.5x	19.5x~159x
	View Field (mm)	52.25~6.42	34.84~4.28	26.15~3.21	13.08~1.6
Eyepieces 20x/12mm	Magnification	6.5x~53x	9.75x~79.5x	13x~106x	26x~212x
	View Field (mm)	40~4.91	26.67~3.27	20~2.45	10~1.23

# Product Specification

Items	A23.26 Series Zoom Stereo Microscope	A23.2603		A23.2604				A23.2605				Cata. No.
		B	BL	B	BL	T	TL	B	BL	T	TL	
Head	Seidentopf Head, Interpupillary Distance 50-75mm											
	Binocular Head Inclined 40°	●	●									
	Binocular Head Inclined 35°			●	●			●	●			
	Trinocular Inclined 35°, Light Split Switch E100:P0/E0:P100					●	●			●	●	
	Trinocular Upgrade To Light Split Fixed E50:P50					○	○			○	○	A53.2650-E50P50
Eyepiece	Eyepiece Tube Dia.30mm, High Eyepoint, Diopter Adjustable	●	●	●	●	●	●	●	●	●	●	
	WF10x/22mm, Pair	●	●									A51.2621-1022
	WF10x/23mm, Pair			●	●	●	●					A51.2621-1023
	WF10x/24mm, Pair							●	●	●	●	A51.2621-1024
Zoom Lens	0.7x~4.5x, Zoom Ratio 1:6.5	●	●									
	0.68~4.7x, Zoom Ratio 1:6.8			●	●	●	●					
	0.65~5.3x, Zoom Ratio 1:8.1							●	●	●	●	
Zoom Knob	With Magnifying Stop Pin			●	●	●	●	●	●	●	●	
Magnification	7.0x~45x, Up to 3.5x~180x By Optional Auxiliary Lens	●	●									
	6.8x~47x, Up to 3.4x~188x By Optional Auxiliary Lens			●	●	●	●					
	6.5x~53x, Up to 3.25x~212x By Optional Auxiliary Lens							●	●	●	●	
W.D.	Working Distance 108mm, With Standard 1x Lens	●	●	●	●	●	●	●	●	●	●	A54.2601-S04
Stand	Large Track Stand, Base Size 33x30cm, Track Stand Focusing Range 80mm No Light Source	●		●		●		●		●		A54.2609-T
	Large Track Stand, Base Size 33x30cm, Track Stand Focusing Range 80mm Up/Bottom 3W LED, Power By Safety Low Voltage Charger		●		●		●		●		●	A54.2609-TL
Package	Carton Size 480x370x475mm, 1 Unit/Ctn											
Weight	Gross Weight: 8 kgs, Net Weight: 6.5 kgs											

Note: "●" In Table Is Standard outfits, "○" Is Optional Accessories

Items	Zoom Stereo Microscope Optional Accessories	Cata. No.
Eyepiece	WF15X/16mm, Dia.30mm, High Eyepoint, Diopter Adjustable	A51.2621-1516
	WF20X/12mm, Dia.30mm, High Eyepoint, Diopter Adjustable	A51.2621-2012
Auxiliary Lens	0.5x, W.D.189mm	A52.2621-05
	0.75x, W.D.128mm	A52.2621-75
	2.0x, W.D.36mm	A52.2621-20
Stand	Small Pole Stand, Base Size 300x220cm, No Light, Pole Stand Focusing Range 115mm	A54.2609-P
	Large Track Stand, Coaxial Coarse/Fine Focus, Base Size 330x300cm, No Light, Track Stand Focusing Range 80mm	A54.2609-TF
	Large Track Stand, Coaxial Coarse/Fine Focus, Base 330x300cm, 3W LED Up/Bottom Light, Track Stand Focusing Range 80mm	A54.2609-TFL

	1.0x, Focus Adjustable	A55.2601-SZ10
CCD Adapter	0.7x, Focus Adjustable	A55.2601-SZ07
	0.5x, Focus Adjustable	A55.2601-SZ05
Polarizing	<a href="#">Polarizer + Analyzer, For Stereo Microscope</a>	A5P.2604
Connect Ring	LED Light Connect Ring	A56.2602-R
Working Stage	XY Travel Range 75x56mm, Stage Size 180x155x27mm, Glass Size 116x96mm, Min Scale 0.1mm, Diameter $\Phi$ 95 for Connecting stand base: 95mm	A54.1632
Micrometer	10 Kinds Of Regular Eyepiece Micrometer Model	A58.2002
Light Source	LED Ring Light, 56 LEDs, 4.5W, AC 100~240V, Inner Dia. 58mm	A56.2103-A
	LED Cold Light, 10W-30W	A56.2617
	Halogen Cold Light Source, 150W	A56.2618

## Product Accessories



**A53.2650-E50P50**  
Trinocular Head Inclined 35°, Light Split Fixed E50:P50 (Optional)



**A55.2601-SZ05**    **A55.2601-SZ07**    **A55.2601-SZ10**  
0.5x C-Mount    0.7x C-Mount    1.0x C-Mount



**A56.2617**  
LED Cold Light, 10W-30W



**A56.2617**  
Halogen Cold Light Source, 150W



**A51.2621-1022**  
WF10x/22mm



**A51.2621-1023**  
WF10x/23mm



**A51.2621-1024**  
WF10x/24mm



**A51.2621-1516**  
WF15x/16mm



**A51.2621-2012**  
WF20x/12mm



**A52.2621-05**

0.5x Auxiliary Lens

**A52.2621-75**

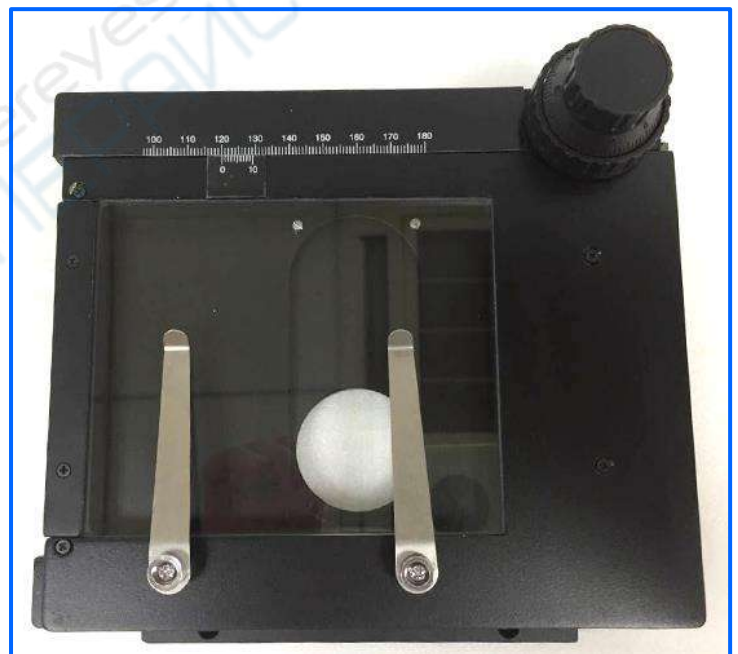
0.75x Auxiliary Lens

**A52.2621-20**

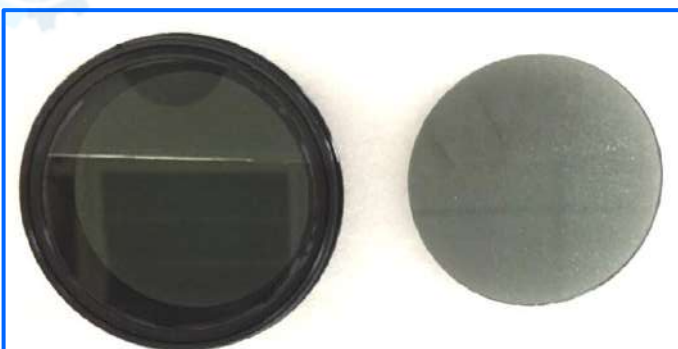
2.0x Auxiliary Lens



**A56.2602-R Connect Ring**  
**A56.2103-A LED Ring Light**



**A54.1632**  
Mechanical Stage



**A5P.2604**  
Polarizer + Analyzer

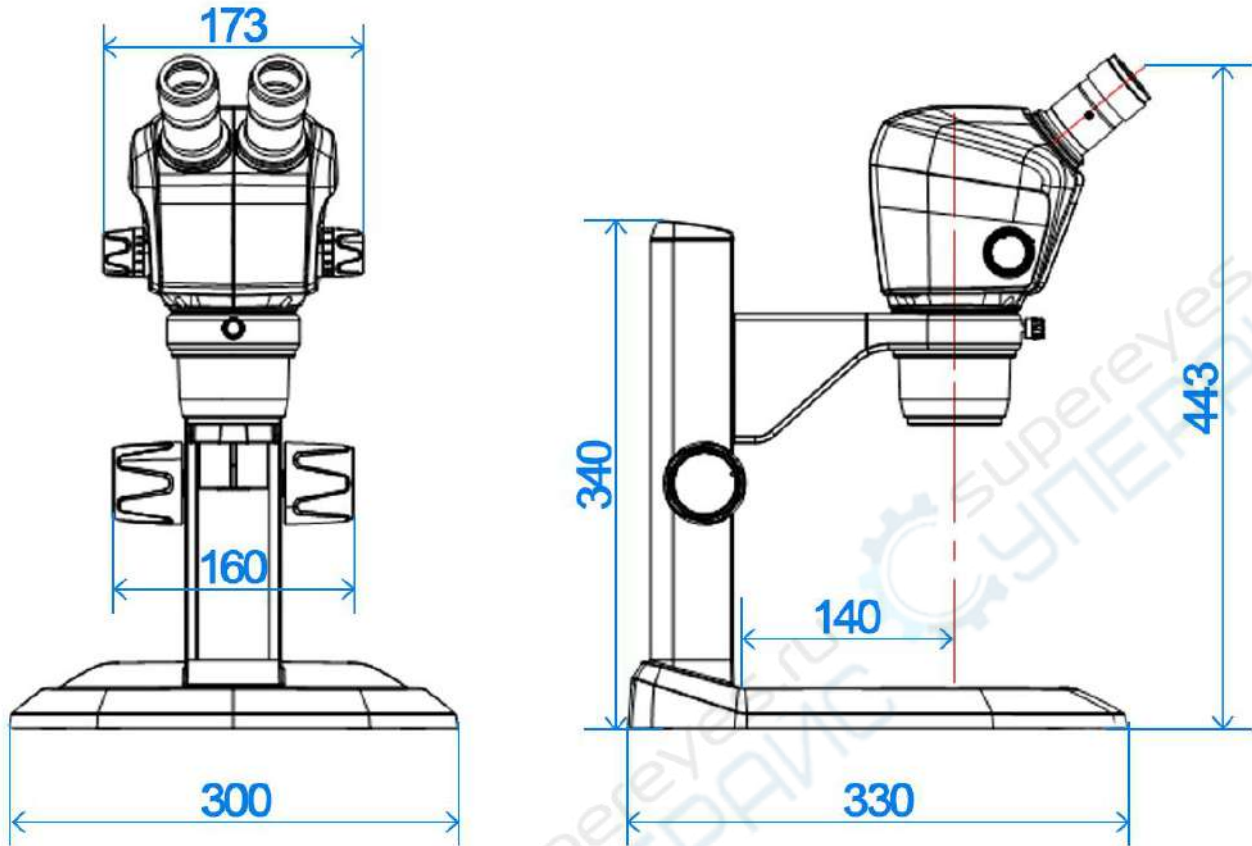


**A58.2002**  
Eyepiece Micrometer

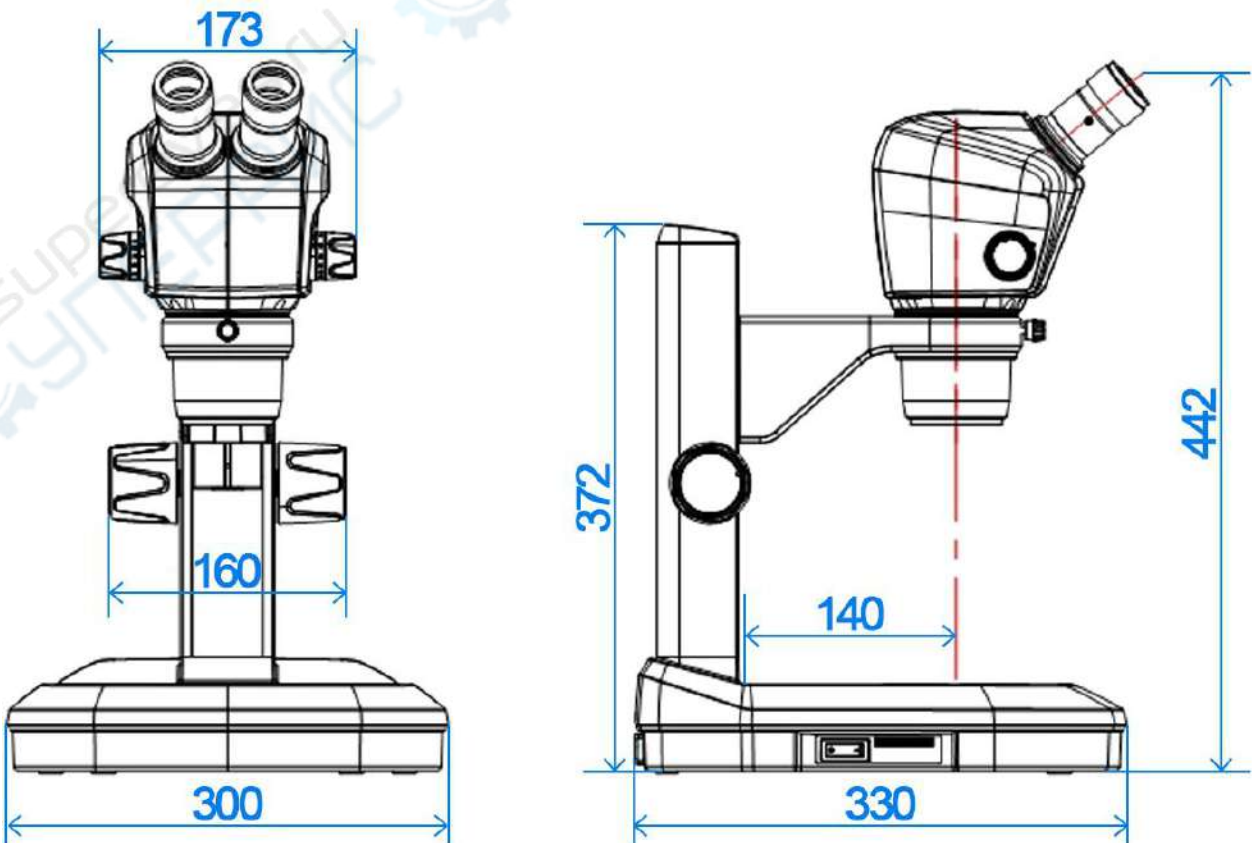


## Product Size(mm)

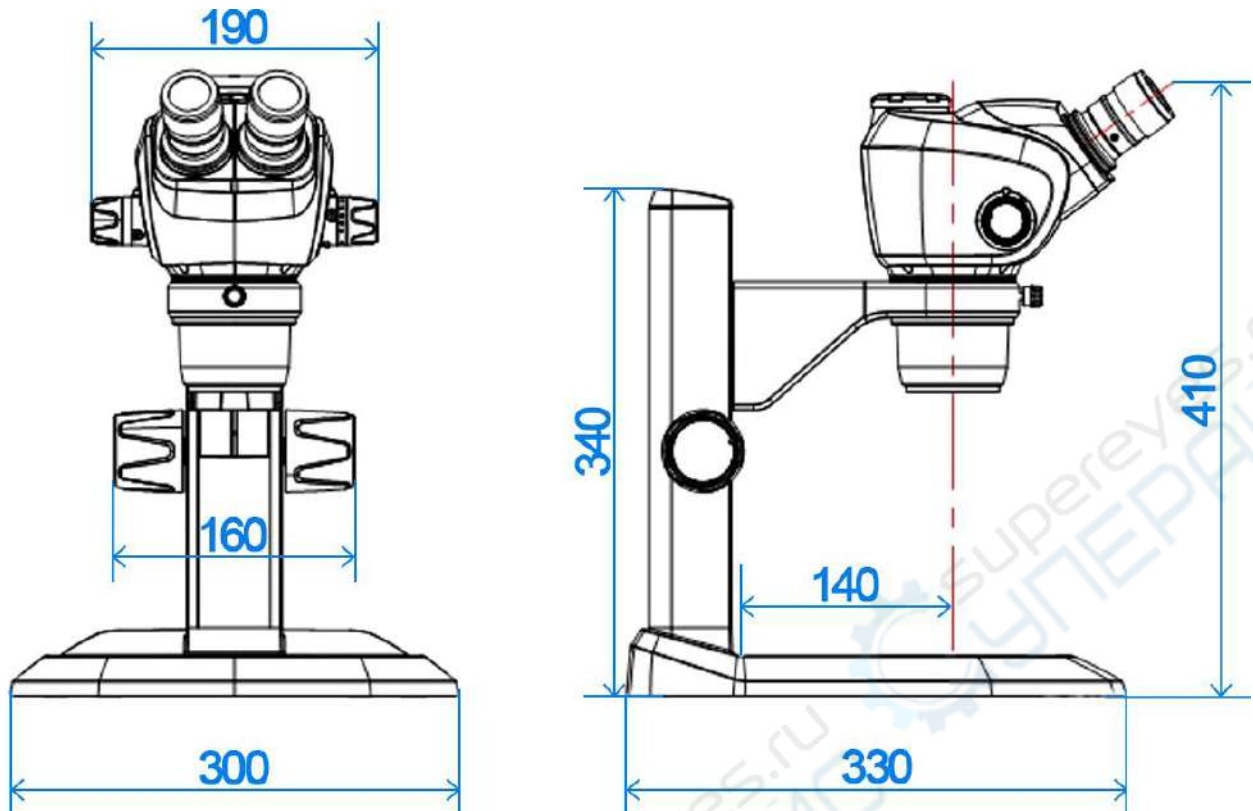
### A23.2603 With No Light Large Track Stand



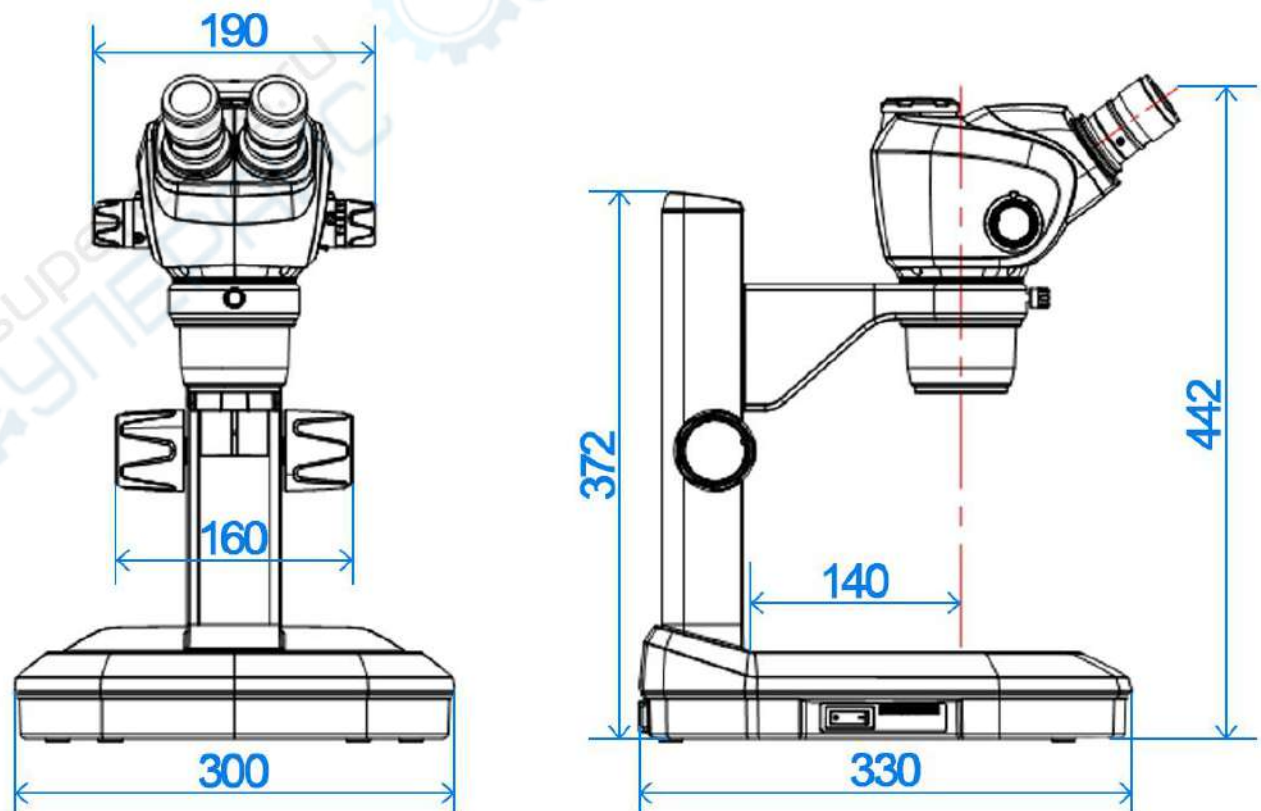
### A23.2603 With LED Large Track Stand



**A23.2604/A23.2605 With No Light Large Track Stand**



**A23.2604/A23.26005 With LED Large Track Stand**



MICROSCOPE IS OUR FOCUS

# The Key To Micro World

Opto-Edu is one of the most professional supplier for microscope & educational instruments from China. We have been focusing in this field for more than 25 years, has a professional sales team who can assist our customer to find the BEST SELECTED microscope with competitive price and 3 YEARS Warranty.

25+ Year professional experience we know Microscopes the best!  
150+ Microscope & accessory manufacturers supply all models from China  
200+ Hot sale microscopes & Newest Models Updated Every Month  
750+ Customer from all over the world & keep rising every day  
1500+ Microscope products create your one-stop purchase platform  
3000+ Educational Instruments For School, College And University Teaching  
The Most Professional Microscope Manufacturer in China!



MICRO  
WORLD

The Key To OPTO-EDU



Opto-Edu (Beijing) Co.,Ltd.

F-1501 Wanda Plaza, No.18 Shijingshan Road, Beijing 100043, China

Official Main Website: [www.optoedu.com](http://www.optoedu.com)

[www.cnoec.com.cn](http://www.cnoec.com.cn), [www.optoedumicroscope.com](http://www.optoedumicroscope.com), [www.microscopemadeinchina.com](http://www.microscopemadeinchina.com)

Skype: xincnoec Wechat, Mobile,WhatsApp: +86 13911110627

Tel: +86 10 88696085 Email: [sale@optoedu.com](mailto:sale@optoedu.com)

