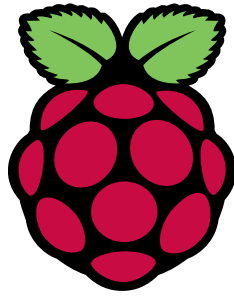


DATASHEET



Raspberry Pi Compute Module 3+ **Raspberry Pi Compute Module 3+ Lite**

Release 1, January 2019

Copyright 2019 Raspberry Pi (Trading) Ltd. All rights reserved.



Table 1: Release History

Release	Date	Description
1	28/01/2019	First release

The latest release of this document can be found at <https://www.raspberrypi.org>





Contents

1	Introduction	5
2	Features	6
2.1	Hardware	6
2.2	Peripherals	6
2.3	Software	6
3	Block Diagram	7
4	Mechanical Specification	8
5	Pin Assignments	9
6	Electrical Specification	11
7	Power Supplies	13
7.1	Supply Sequencing	14
7.2	Power Requirements	14
8	Booting	14
9	Peripherals	15
9.1	GPIO	15
9.1.1	GPIO Alternate Functions	16
9.1.2	Secondary Memory Interface (SMI)	17
9.1.3	Display Parallel Interface (DPI)	17
9.1.4	SD/SDIO Interface	18
9.2	CSI (MIPI Serial Camera)	18
9.3	DSI (MIPI Serial Display)	18
9.4	USB	18
9.5	HDMI	18
9.6	Composite (TV Out)	19
10	Thermals	19
10.1	Temperature Range	19
11	Availability	19
12	Support	19



List of Figures

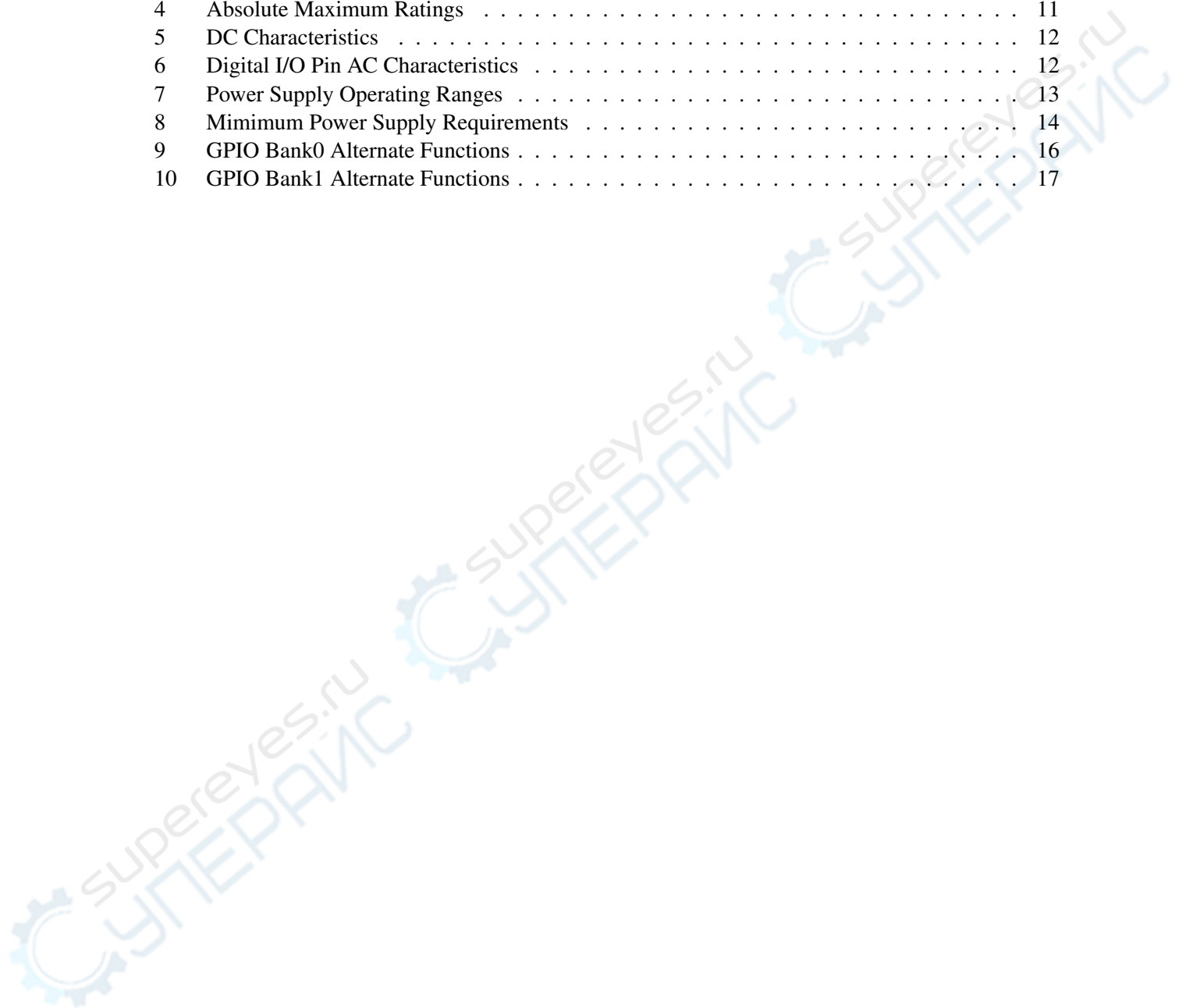
1	CM3+ Block Diagram	7
2	CM3+ Mechanical Dimensions	8
3	Digital IO Characteristics	13





List of Tables

1	Release History	1
2	Compute Module 3+ SODIMM Connector Pinout	9
3	Pin Functions	10
4	Absolute Maximum Ratings	11
5	DC Characteristics	12
6	Digital I/O Pin AC Characteristics	12
7	Power Supply Operating Ranges	13
8	Mimimum Power Supply Requirements	14
9	GPIO Bank0 Alternate Functions	16
10	GPIO Bank1 Alternate Functions	17





1 Introduction

The Raspberry Pi Compute Module 3+ (CM3+) is a range of DDR2-SODIMM-mechanically-compatible System on Modules (SoMs) containing processor, memory, eMMC Flash (on non-Lite variants) and supporting power circuitry. These modules allow a designer to leverage the Raspberry Pi hardware and software stack in their own custom systems and form factors. In addition these modules have extra IO interfaces over and above what is available on the Raspberry Pi model A/B boards, opening up more options for the designer.

The CM3+ contains a BCM2837B0 processor (as used on the Raspberry Pi 3B+), 1Gbyte LPDDR2 RAM and eMMC Flash. The CM3+ is currently available in 4 variants, CM3+/8GB, CM3+/16GB, CM3+/32GB and CM3+ Lite, which have 8, 16 and 32 Gigabytes of eMMC Flash, or no eMMC Flash, respectively.

The CM3+ Lite product is the same as CM3+ except the eMMC Flash is not fitted, and the SD/eMMC interface pins are available for the user to connect their own SD/eMMC device.

Note that the CM3+ is electrically identical and, with the exception of higher CPU z-height, physically identical to the legacy CM3 products.

CM3+ modules require a software/firmware image dated November 2018 or newer to function correctly.



2 Features

2.1 Hardware

- Low cost
- Low power
- High availability
- High reliability
 - Tested over millions of Raspberry Pis Produced to date
 - Module IO pins have 15 micro-inch hard gold plating over 2.5 micron Nickel

2.2 Peripherals

- 48x GPIO
- 2x I2C
- 2x SPI
- 2x UART
- 2x SD/SDIO
- 1x HDMI 1.3a
- 1x USB2 HOST/OTG
- 1x DPI (Parallel RGB Display)
- 1x NAND interface (SMI)
- 1x 4-lane CSI Camera Interface (up to 1Gbps per lane)
- 1x 2-lane CSI Camera Interface (up to 1Gbps per lane)
- 1x 4-lane DSI Display Interface (up to 1Gbps per lane)
- 1x 2-lane DSI Display Interface (up to 1Gbps per lane)

2.3 Software

- ARMv8 Instruction Set
- Mature and stable Linux software stack
 - Latest Linux Kernel support
 - Many drivers upstreamed
 - Stable and well supported userland
 - Full availability of GPU functions using standard APIs



3 Block Diagram

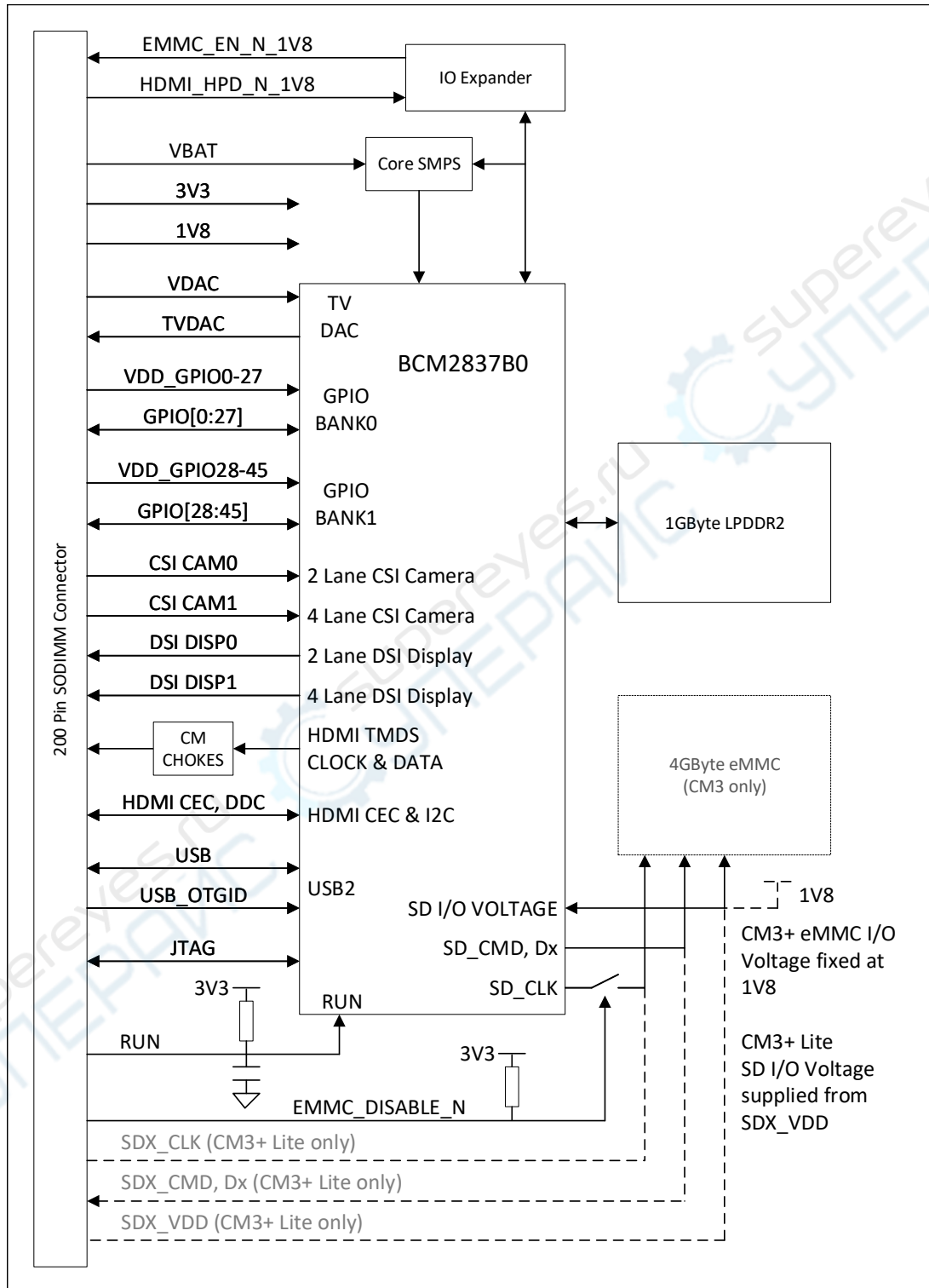


Figure 1: CM3+ Block Diagram



4 Mechanical Specification

The CM3+ modules conform to JEDEC MO-224 mechanical specification for 200 pin DDR2 (1.8V) SODIMM modules and therefore should work with the many DDR2 SODIMM sockets available on the market. **(Please note that the pinout of the Compute Module is not the same as a DDR2 SODIMM module; they are not electrically compatible.)**

The SODIMM form factor was chosen as a way to provide the 200 pin connections using a standard, readily available and low cost connector compatible with low cost PCB manufacture.

The maximum component height on the underside of the Compute Module is 1.2mm.

The maximum component height on the top side of the Compute Module is 2.5mm.

The Compute Module PCB thickness is 1.0mm +/- 0.1mm.

Note that the location and arrangement of components on the Compute Module may change slightly over time due to revisions for cost and manufacturing considerations; however, maximum component heights and PCB thickness will be kept as specified.

Figure 2 gives the CM3+ mechanical dimensions.

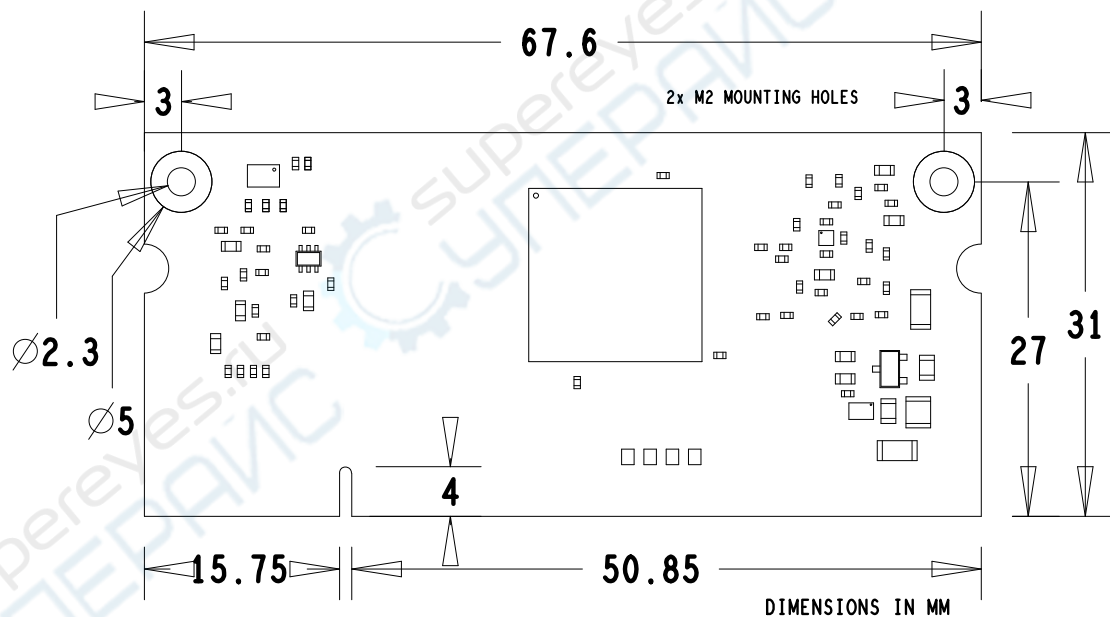


Figure 2: CM3+ Mechanical Dimensions



5 Pin Assignments

CM3+	CM3+ Lite	PIN	PIN	CM3+	CM3+ Lite
GND		1	2	EMMC_DISABLE_N	
GPIO0		3	4	NC	SDX_VDD
GPIO1		5	6	NC	SDX_VDD
GND		7	8		GND
GPIO2		9	10	NC	SDX_CLK
GPIO3		11	12	NC	SDX_CMD
GND		13	14		GND
GPIO4		15	16	NC	SDX_D0
GPIO5		17	18	NC	SDX_D1
GND		19	20		GND
GPIO6		21	22	NC	SDX_D2
GPIO7		23	24	NC	SDX_D3
GND		25	26		GND
GPIO8		27	28		GPIO28
GPIO9		29	30		GPIO29
GND		31	32		GND
GPIO10		33	34		GPIO30
GPIO11		35	36		GPIO31
GND		37	38		GND
GPIO0-27_VDD		39	40		GPIO0-27_VDD
KEY					
GPIO28-45_VDD		41	42		GPIO28-45_VDD
GND		43	44		GND
GPIO12		45	46		GPIO32
GPIO13		47	48		GPIO33
GND		49	50		GND
GPIO14		51	52		GPIO34
GPIO15		53	54		GPIO35
GND		55	56		GND
GPIO16		57	58		GPIO36
GPIO17		59	60		GPIO37
GND		61	62		GND
GPIO18		63	64		GPIO38
GPIO19		65	66		GPIO39
GND		67	68		GND
GPIO20		69	70		GPIO40
GPIO21		71	72		GPIO41
GND		73	74		GND
GPIO22		75	76		GPIO42
GPIO23		77	78		GPIO43
GND		79	80		GND
GPIO24		81	82		GPIO44
GPIO25		83	84		GPIO45
GND		85	86		GND
GPIO26		87	88		HDMI_HPD_N_1V8
GPIO27		89	90		EMMC_EN_N_1V8
GND		91	92		GND
DSIO_DN1		93	94		DSI1_DP0
DSIO_DP1		95	96		DSI1_DN0
GND		97	98		GND
DSIO_DN0		99	100		DSI1_CP
DSIO_DP0		101	102		DSI1_CN
GND		103	104		GND
DSIO_CN		105	106		DSI1_DP3
DSIO_CP		107	108		DSI1_DN3
GND		109	110		GND
HDMI_CLK_N		111	112		DSI1_DP2
HDMI_CLK_P		113	114		DSI1_DN2
GND		115	116		GND
HDMI_DO_N		117	118		DSI1_DP1
HDMI_DP_P		119	120		DSI1_DN1
GND		121	122		GND
HDMI_D1_N		123	124		NC
HDMI_D1_P		125	126		NC
GND		127	128		NC
HDMI_D2_N		129	130		NC
HDMI_D2_P		131	132		NC
GND		133	134		GND
CAM1_DP3		135	136		CAM0_DP0
CAM1_DN3		137	138		CAM0_DN0
GND		139	140		GND
CAM1_DP2		141	142		CAM0_CP
CAM1_DN2		143	144		CAM0_CN
GND		145	146		GND
CAM1_CP		147	148		CAM0_DP1
CAM1_CN		149	150		CAM0_DN1
GND		151	152		GND
CAM1_DP1		153	154		NC
CAM1_DN1		155	156		NC
GND		157	158		NC
CAM1_DP0		159	160		NC
CAM1_DN0		161	162		NC
GND		163	164		GND
USB_DP		165	166		TVDAC
USB_DM		167	168		USB_OTGID
GND		169	170		GND
HDMI_CEC		171	172		VC_TRST_N
HDMI_SDA		173	174		VC_TDI
HDMI_SCL		175	176		VC_TMS
RUN		177	178		VC_TDO
DD_CORE (DO NOT CONNECT)		179	180		VC_TCK
GND		181	182		GND
1V8		183	184		1V8
1V8		185	186		1V8
GND		187	188		GND
VDAC		189	190		VDAC
3V3		191	192		3V3
3V3		193	194		3V3
GND		195	196		GND
VBAT		197	198		VBAT
VBAT		199	200		VBAT

Table 2: Compute Module 3+ SODIMM Connector Pinout

Table 2 gives the Compute Module 3+ pinout and Table 3 gives the pin functions.



Pin Name	DIR	Voltage Ref	PDN ^a State	If Unused	Description/Notes
<i>RUN and Boot Control (see text for usage guide)</i>					
RUN	I	3V3 ^b	Pull High	Leave open	Has internal 10k pull up
EMMC_DISABLE_N	I	3V3 ^b	Pull High	Leave open	Has internal 10k pull up
EMMC_EN_N_1V8	O	1V8	Pull High	Leave open	Has internal 2k2 pull up
<i>GPIO</i>					
GPIO[27:0]	I/O	GPIO0-27_VDD	Pull or Hi-Z ^c	Leave open	GPIO Bank 0
GPIO[45:28]	I/O	GPIO28-45_VDD	Pull or Hi-Z ^c	Leave open	GPIO Bank 1
<i>Primary SD Interface^{d,e}</i>					
SDX_CLK	O	SDX_VDD	Pull High	Leave open	Primary SD interface CLK
SDX_CMD	I/O	SDX_VDD	Pull High	Leave open	Primary SD interface CMD
SDX_Dx	I/O	SDX_VDD	Pull High	Leave open	Primary SD interface DATA
<i>USB Interface</i>					
USB_Dx	I/O	-	Z	Leave open	Serial interface
USB_OTGID	I	3V3		Tie to GND	OTG pin detect
<i>HDMI Interface</i>					
HDMI_SCL	I/O	3V3 ^b	Z ^f	Leave open	DDC Clock (5.5V tolerant)
HDMI_SDA	I/O	3V3 ^b	Z ^f	Leave open	DDC Data (5.5V tolerant)
HDMI_CEC	I/O	3V3	Z	Leave open	CEC (has internal 27k pull up)
HDMI_CLKx	O	-	Z	Leave open	HDMI serial clock
HDMI_Dx	O	-	Z	Leave open	HDMI serial data
HDMI_HPD_N_1V8	I	1V8	Pull High	Leave open	HDMI hotplug detect
<i>CAM0 (CSI0) 2-lane Interface</i>					
CAM0_Cx	I	-	Z	Leave open	Serial clock
CAM0_Dx	I	-	Z	Leave open	Serial data
<i>CAM1 (CSI1) 4-lane Interface</i>					
CAM1_Cx	I	-	Z	Leave open	Serial clock
CAM1_Dx	I	-	Z	Leave open	Serial data
<i>DSI0 (Display 0) 2-lane Interface</i>					
DSI0_Cx	O	-	Z	Leave open	Serial clock
DSI0_Dx	O	-	Z	Leave open	Serial data
<i>DSI1 (Display 1) 4-lane Interface</i>					
DSI1_Cx	O	-	Z	Leave open	Serial clock
DSI1_Dx	O	-	Z	Leave open	Serial data
<i>TV Out</i>					
TVDAC	O	-	Z	Leave open	Composite video DAC output
<i>JTAG Interface</i>					
TMS	I	3V3	Z	Leave open	Has internal 50k pull up
TRST_N	I	3V3	Z	Leave open	Has internal 50k pull up
TCK	I	3V3	Z	Leave open	Has internal 50k pull up
TDI	I	3V3	Z	Leave open	Has internal 50k pull up
TDO	O	3V3	O	Leave open	Has internal 50k pull up

^a The PDN column indicates power-down state (when RUN pin LOW)

^b Must be driven by an open-collector driver

^c GPIO have software enabled pulls which keep state over power-down

^d Only available on Lite variants

^e The CM will always try to boot from this interface first

^f Requires external pull-up resistor to 5V as per HDMI spec

Table 3: Pin Functions



6 Electrical Specification

Caution! Stresses above those listed in Table 4 may cause permanent damage to the device. This is a stress rating only; functional operation of the device under these or any other conditions above those listed in the operational sections of this specification is not implied. Exposure to absolute maximum rating conditions for extended periods may affect device reliability.

Symbol	Parameter	Minimum	Maximum	Unit
VBAT	Core SMPS Supply	-0.5	6.0	V
3V3	3V3 Supply Voltage	-0.5	4.10	V
1V8	1V8 Supply Voltage	-0.5	2.10	V
VDAC	TV DAC Supply	-0.5	4.10	V
GPIO0-27_VDD	GPIO0-27 I/O Supply Voltage	-0.5	4.10	V
GPIO28-45_VDD	GPIO28-45 I/O Supply Voltage	-0.5	4.10	V
SDX_VDD	Primary SD/eMMC Supply Voltage	-0.5	4.10	V

Table 4: Absolute Maximum Ratings

DC Characteristics are defined in Table 5



Symbol	Parameter	Conditions	Minimum	Typical	Maximum	Unit
V_{IL}	Input low voltage ^a	VDD_IO = 1.8V	-	-	0.6	V
		VDD_IO = 2.7V	-	-	0.8	V
		VDD_IO = 3.3V	-	-	0.9	V
V_{IH}	Input high voltage ^a	VDD_IO = 1.8V	1.0	-	-	V
		VDD_IO = 2.7V	1.3	-	-	V
		VDD_IO = 3.3V	1.6	-	-	V
I_{IL}	Input leakage current	TA = +85°C	-	-	5	μA
C_{IN}	Input capacitance	-	-	5	-	pF
V_{OL}	Output low voltage ^b	VDD_IO = 1.8V, IOL = -2mA	-	-	0.2	V
		VDD_IO = 2.7V, IOL = -2mA	-	-	0.15	V
		VDD_IO = 3.3V, IOL = -2mA	-	-	0.14	V
V_{OH}	Output high voltage ^b	VDD_IO = 1.8V, IOH = 2mA	1.6	-	-	V
		VDD_IO = 2.7V, IOH = 2mA	2.5	-	-	V
		VDD_IO = 3.3V, IOH = 2mA	3.0	-	-	V
I_{OL}	Output low current ^c	VDD_IO = 1.8V, VO = 0.4V	12	-	-	mA
		VDD_IO = 2.7V, VO = 0.4V	17	-	-	mA
		VDD_IO = 3.3V, VO = 0.4V	18	-	-	mA
I_{OH}	Output high current ^c	VDD_IO = 1.8V, VO = 1.4V	10	-	-	mA
		VDD_IO = 2.7V, VO = 2.3V	16	-	-	mA
		VDD_IO = 3.3V, VO = 2.3V	17	-	-	mA
R_{PU}	Pullup resistor	-	50	-	65	kΩ
R_{PD}	Pulldown resistor	-	50	-	65	kΩ

^a Hysteresis enabled

^b Default drive strength (8mA)

^c Maximum drive strength (16mA)

Table 5: DC Characteristics

AC Characteristics are defined in Table 6 and Fig. 3.

Pin Name	Symbol	Parameter	Minimum	Typical	Maximum	Unit
Digital outputs	t_{rise}	10-90% rise time ^a	-	1.6	-	ns
Digital outputs	t_{fall}	90-10% fall time ^a	-	1.7	-	ns
GPCLK	t_{JOSC}	Oscillator-derived GPCLK cycle-cycle jitter (RMS)	-	-	20	ps
GPCLK	t_{JPLL}	PLL-derived GPCLK cycle-cycle jitter (RMS)	-	-	48	ps

^a Default drive strength, CL = 5pF, VDD_IOx = 3.3V

Table 6: Digital I/O Pin AC Characteristics

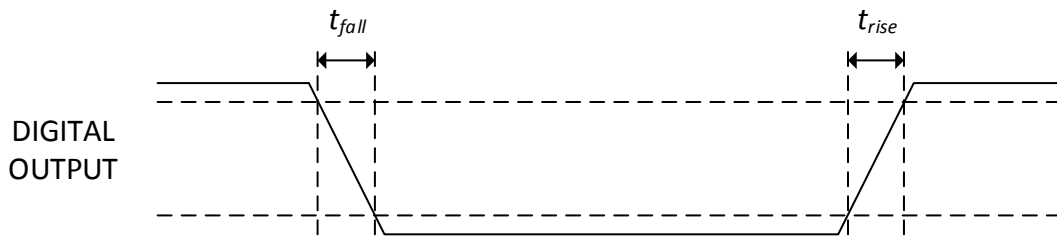


Figure 3: Digital IO Characteristics

7 Power Supplies

The Compute Module 3+ has six separate supplies that must be present and powered at all times; you cannot leave any of them unpowered, even if a specific interface or GPIO bank is unused. The six supplies are as follows:

1. VBAT is used to power the BCM2837 processor core. It feeds the SMPS that generates the chip core voltage.
2. 3V3 powers various BCM2837 PHYs, IO and the eMMC Flash.
3. 1V8 powers various BCM2837 PHYs, IO and SDRAM.
4. VDAC powers the composite (TV-out) DAC.
5. GPIO0-27_VREF powers the GPIO 0-27 IO bank.
6. GPIO28-45_VREF powers the GPIO 28-45 IO bank.

Supply	Description	Minimum	Typical	Maximum	Unit
VBAT	Core SMPS Supply	2.5	-	5.0 + 5%	V
3V3	3V3 Supply Voltage	3.3 - 5%	3.3	3.3 + 5%	V
1V8	1V8 Supply Voltage	1.8 - 5%	1.8	1.8 + 5%	V
VDAC	TV DAC Supply ^a	2.5 - 5%	2.8	3.3 + 5%	V
GPIO0-27_VDD	GPIO0-27 I/O Supply Voltage	1.8 - 5%	-	3.3 + 5%	V
GPIO28-45_VDD	GPIO28-45 I/O Supply Voltage	1.8 - 5%	-	3.3 + 5%	V
SDX_VDD	Primary SD/eMMC Supply Voltage	1.8 - 5%	-	3.3 + 5%	V

^a Requires a clean 2.5-2.8V supply if TV DAC is used, else connect to 3V3

Table 7: Power Supply Operating Ranges



7.1 Supply Sequencing

Supplies should be staggered so that the highest voltage comes up first, then the remaining voltages in descending order. This is to avoid forward biasing internal (on-chip) diodes between supplies, and causing latch-up. Alternatively supplies can be synchronised to come up at exactly the same time as long as at no point a lower voltage supply rail voltage exceeds a higher voltage supply rail voltage.

7.2 Power Requirements

Exact power requirements will be heavily dependent upon the individual use case. If an on-chip subsystem is unused, it is usually in a low power state or completely turned off. For instance, if your application does not use 3D graphics then a large part of the core digital logic will never turn on and need power. This is also the case for camera and display interfaces, HDMI, USB interfaces, video encoders and decoders, and so on.

Powerchain design is critical for stable and reliable operation of the Compute Module 3+. We strongly recommend that designers spend time measuring and verifying power requirements for their particular use case and application, as well as paying careful attention to power supply sequencing and maximum supply voltage tolerance.

Table 8 specifies the recommended minimum power supply outputs required to power the Compute Module 3+.

Supply	Minimum Requirement	Unit
VBAT (CM1)	2000 ^a	mW
VBAT (CM3,3L)	3500 ^a	mW
3V3	250	mA
1V8	250	mA
VDAC	25	mA
GPIO0-27_VDD	50 ^b	mA
GPIO28-45_VDD	50 ^b	mA
SDX_VDD	50 ^b	mA

^a Recommended minimum. Actual power drawn is very dependent on use-case

^b Each GPIO can supply up to 16mA, aggregate current per bank must not exceed 50mA

Table 8: Minimum Power Supply Requirements

8 Booting

The eMMC Flash device on CM3+ is directly connected to the primary BCM2837 SD/eMMC interface. These connections are not accessible on the module pins. On CM3+ Lite this SD interface is available on the SDX_ pins.



When initially powered on, or after the RUN pin has been held low and then released, the BCM2837 will try to access the primary SD/eMMC interface. It will then look for a file called bootcode.bin on the primary partition (which must be FAT) to start booting the system. If it cannot access the SD/eMMC device or the boot code cannot be found, it will fall back to waiting for boot code to be written to it over USB; in other words, its USB port is in slave mode waiting to accept boot code from a suitable host.

A USB boot tool is available on Github which allows a host PC running Linux to write the BCM2837 boot code over USB to the module. That boot code then runs and provides access to the SD/eMMC as a USB mass storage device, which can then be read and written using the host PC. Note that a Raspberry Pi can be used as the host machine. For those using Windows a precompiled and packaged tool is available. For more information see here.

The Compute Module has a pin called EMMC_DISABLE_N which when shorted to GND will disable the SD/eMMC interface (by physically disconnecting the SD_CMD pin), forcing BCM2837 to boot from USB. Note that when the eMMC is disabled in this way, it takes a couple of seconds from powering up for the processor to stop attempting to talk to the SD/eMMC device and fall back to booting from USB.

Note that once booted over USB, BCM2837 needs to re-enable the SD/eMMC device (by releasing EMMC_DISABLE_N) to allow access to it as mass storage. It expects to be able to do this by driving the EMMC_EN_N_1V8 pin LOW, which at boot is initially an input with a pull up to 1V8. If an end user wishes to add the ability to access the SD/eMMC over USB in their product, similar circuitry to that used on the Compute Module IO Board to enable/disable the USB boot and SD/eMMC must be used; that is, EMMC_DISABLE_N pulled low via MOSFET(s) and released again by MOSFET, with the gate controlled by EMMC_EN_N_1V8. **Ensure you use MOSFETs suitable for switching at 1.8V (i.e. use a device with gate threshold voltage, V_t , suitable for 1.8V switching).**

9 Peripherals

9.1 GPIO

BCM2837 has in total 54 GPIO lines in 3 separate voltage banks. All GPIO pins have at least two alternative functions within the SoC. When not used for the alternate peripheral function, each GPIO pin may be set as an input (optionally as an interrupt) or an output. The alternate functions are usually peripheral I/Os, and most peripherals appear twice to allow flexibility on the choice of I/O voltage.

GPIO bank2 is used on the module to connect to the eMMC device and for an on-board I2C bus (to talk to the core SMPS and control the special function pins). On CM3+ Lite most of bank2 is exposed to allow a user to connect their choice of SD card or eMMC device (if required).

Bank0 and 1 GPIOs are available for general use. GPIO0 to GPIO27 are bank0 and GPIO28-45 make up bank1. GPIO0-27_VDD is the power supply for bank0 and GPIO28-45_VDD is the power supply for bank1. SDX_VDD is the supply for bank2 on CM3+ Lite. These supplies can be in the range 1.8V-3.3V (see Table 7) and are not optional; each bank must be powered, even when none of the GPIOs for that bank are used.

Note that the HDMI_HPD_N_1V8 and EMMC_EN_N_1V8 pins are 1.8V IO and are used for special functions (HDMI hot plug detect and boot control respectively). Please do not use these pins for any other purpose, as the software for the module will always expect these pins to have these special functions. If they are unused please leave them unconnected.



All GPIOs except GPIO28, 29, 44 and 45 have weak in-pad pull-ups or pull-downs enabled when the device is powered on. It is recommended to add off-chip pulls to GPIO28, 29, 44 and 45 to make sure they never float during power on and initial boot.

9.1.1 GPIO Alternate Functions

GPIO	Default						
	Pull	ALT0	ALT1	ALT2	ALT3	ALT4	ALT5
0	High	SDA0	SA5	PCLK	-	-	-
1	High	SCL0	SA4	DE	-	-	-
2	High	SDA1	SA3	LCD_VSYNC	-	-	-
3	High	SCL1	SA2	LCD_HSYNC	-	-	-
4	High	GPCLK0	SA1	DPI.D0	-	-	ARM_TDI
5	High	GPCLK1	SA0	DPI.D1	-	-	ARM_TDO
6	High	GPCLK2	SOE_N	DPI.D2	-	-	ARM_RTCK
7	High	SPI0_CE1_N	SWE_N	DPI.D3	-	-	-
8	High	SPI0_CE0_N	SD0	DPI.D4	-	-	-
9	Low	SPI0_MISO	SD1	DPI.D5	-	-	-
10	Low	SPI0_MOSI	SD2	DPI.D6	-	-	-
11	Low	SPI0_SCLK	SD3	DPI.D7	-	-	-
12	Low	PWM0	SD4	DPI.D8	-	-	ARM_TMS
13	Low	PWM1	SD5	DPI.D9	-	-	ARM_TCK
14	Low	TXD0	SD6	DPI.D10	-	-	TXD1
15	Low	RXD0	SD7	DPI.D11	-	-	RXD1
16	Low	FL0	SD8	DPI.D12	CTS0	SPI1_CE2_N	CTS1
17	Low	FL1	SD9	DPI.D13	RTS0	SPI1_CE1_N	RTS1
18	Low	PCM_CLK	SD10	DPI.D14	-	SPI1_CE0_N	PWM0
19	Low	PCM_FS	SD11	DPI.D15	-	SPI1_MISO	PWM1
20	Low	PCM_DIN	SD12	DPI.D16	-	SPI1_MOSI	GPCLK0
21	Low	PCM_DOUT	SD13	DPI.D17	-	SPI1_SCLK	GPCLK1
22	Low	SD0_CLK	SD14	DPI.D18	SD1_CLK	ARM_TRST	-
23	Low	SD0_CMD	SD15	DPI.D19	SD1_CMD	ARM_RTCK	-
24	Low	SD0_DAT0	SD16	DPI.D20	SD1_DAT0	ARM_TDO	-
25	Low	SD0_DAT1	SD17	DPI.D21	SD1_DAT1	ARM_TCK	-
26	Low	SD0_DAT2	TE0	DPI.D22	SD1_DAT2	ARM_TDI	-
27	Low	SD0_DAT3	TE1	DPI.D23	SD1_DAT3	ARM_TMS	-

Table 9: GPIO Bank0 Alternate Functions



GPIO	Default						
	Pull	ALT0	ALT1	ALT2	ALT3	ALT4	ALT5
28	None	SDA0	SA5	PCM_CLK	FL0	-	-
29	None	SCL0	SA4	PCM_FS	FL1	-	-
30	Low	TE0	SA3	PCM_DIN	CTS0	-	CTS1
31	Low	FL0	SA2	PCM_DOUT	RTS0	-	RTS1
32	Low	GPCLK0	SA1	RING_OCLK	TXD0	-	TXD1
33	Low	FL1	SA0	TE1	RXD0	-	RXD1
34	High	GPCLK0	SOE_N	TE2	SD1_CLK	-	-
35	High	SPI0_CE1_N	SWE_N	-	SD1_CMD	-	-
36	High	SPI0_CE0_N	SD0	TXD0	SD1_DAT0	-	-
37	Low	SPI0_MISO	SD1	RXD0	SD1_DAT1	-	-
38	Low	SPI0_MOSI	SD2	RTS0	SD1_DAT2	-	-
39	Low	SPI0_SCLK	SD3	CTS0	SD1_DAT3	-	-
40	Low	PWM0	SD4	-	SD1_DAT4	SPI2_MISO	TXD1
41	Low	PWM1	SD5	TE0	SD1_DAT5	SPI2_MOSI	RXD1
42	Low	GPCLK1	SD6	TE1	SD1_DAT6	SPI2_SCLK	RTS1
43	Low	GPCLK2	SD7	TE2	SD1_DAT7	SPI2_CE0_N	CTS1
44	None	GPCLK1	SDA0	SDA1	TE0	SPI2_CE1_N	-
45	None	PWM1	SCL0	SCL1	TE1	SPI2_CE2_N	-

Table 10: GPIO Bank1 Alternate Functions

Table 9 and Table 10 detail the default pin pull state and available alternate GPIO functions. Most of these alternate peripheral functions are described in detail in the Broadcom Peripherals Specification document and have Linux drivers available.

9.1.2 Secondary Memory Interface (SMI)

The SMI peripheral is an asynchronous NAND type bus supporting Intel mode80 type transfers at 8 or 16 bit widths and available in the ALT1 positions on GPIO banks 0 and 1 (see Table 9 and Table 10). It is not publicly documented in the Broadcom Peripherals Specification but a Linux driver is available in the Raspberry Pi Github Linux repository (`bcm2835_smi.c` in `linux/drivers/misc`).

9.1.3 Display Parallel Interface (DPI)

A standard parallel RGB (DPI) interface is available on bank 0 GPIOs. This up-to-24-bit parallel interface can support a secondary display. Again this interface is not documented in the Broadcom Peripherals Specification but documentation can be found here.



9.1.4 SD/SDIO Interface

The BCM283x supports two SD card interfaces, SD0 and SD1.

The first (SD0) is a proprietary Broadcom controller that does not support SDIO and is the primary interface used to boot and talk to the eMMC or SDX_x signals.

The second interface (SD1) is standards compliant and can interface to SD, SDIO and eMMC devices; for example on a Raspberry Pi 3 B+ it is used to talk to the on-board CYW43455 WiFi device in SDIO mode.

Both interfaces can support speeds up to 50MHz single ended (SD High Speed Mode).

9.2 CSI (MIPI Serial Camera)

Currently the CSI interface is not openly documented and only CSI camera sensors supported by the official Raspberry Pi firmware will work with this interface. Supported sensors are the OmniVision OV5647 and Sony IMX219.

It is recommended to attach other cameras via USB.

9.3 DSI (MIPI Serial Display)

Currently the DSI interface is not openly documented and only DSI displays supported by the official Raspberry Pi firmware will work with this interface.

Displays can also be added via the parallel DPI interface which is available as a GPIO alternate function - see Table 9 and Section 9.1.3

9.4 USB

The BCM2837 USB port is On-The-Go (OTG) capable. If using either as a fixed slave or fixed master, please tie the USB_OTGID pin to ground.

The USB port (Pins USB_DP and USB_DM) must be routed as 90 ohm differential PCB traces.

Note that the port is capable of being used as a true OTG port however there is no official documentation. Some users have had success making this work.

9.5 HDMI

BCM283x supports HDMI V1.3a.

It is recommended that users follow a similar arrangement to the Compute Module IO Board circuitry for HDMI output.

The HDMI CK_P/N (clock) and D0-D2_P/N (data) pins must each be routed as matched length 100 ohm differential PCB traces. It is also important to make sure that each differential pair is closely phase matched. Finally, keep HDMI traces well away from other noise sources and as short as possible.

Failure to observe these design rules is likely to result in EMC failure.



9.6 Composite (TV Out)

The TVDAC pin can be used to output composite video (PAL or NTSC). Please route this signal away from noise sources and use a 75 ohm PCB trace.

Note that the TV DAC is powered from the VDAC supply which must be a clean supply of 2.5-2.8V. It is recommended users generate this supply from 3V3 using a low noise LDO.

If the TVDAC output is not used VDAC can be connected to 3V3, but it must be powered even if the TV-out functionality is unused.

10 Thermals

The BCM2837 SoC employs DVFS (Dynamic Voltage and Frequency Scaling) on the core voltage. When the processor is idle (low CPU utilisation), it will reduce the core frequency and voltage to reduce current draw and heat output. When the core utilisation exceeds a certain threshold the core voltage is increased and the core frequency is boosted to the maximum working frequency of 1.2GHz. The voltage and frequency are throttled back when the CPU load reduces back to an 'idle' level OR when the silicon temperature as measured by the on-chip temperature sensor exceeds 80C (thermal throttling).

A designer must pay careful attention to the thermal design of products using the CM3+ so that performance is not artificially curtailed due to the processor thermal throttling, as the Quad ARM complex in the BCM2837 can generate significant heat output under load.

10.1 Temperature Range

The operating temperature range of the module is set by the lowest maximum and highest minimum of any of the components used.

The eMMC and LPDDR2 have the narrowest range, these are rated for -25 to +80 degrees Celsius. Therefore the nominal range for the CM3+ and CM3+ Lite is -25C to +80C.

However, this range is the maximum for the silicon die; therefore, users would have to take into account the heat generated when in use and make sure this does not cause the temperature to exceed 80 degrees Celsius.

11 Availability

Raspberry Pi guarantee availability of CM3+ and CM3+ Lite until at least January 2026.

12 Support

For support please see the hardware documentation section of the Raspberry Pi website and post questions to the Raspberry Pi forum.