

Specification Multifunction Tester

Ruideng RIDEN RD 99,9v/20A OLED

产品技术指标

Technical Parameter

电压测量范围(Voltage measurement range):DC 00.0-99.9V

电流测量范围(Current measurement range):DC 00.0-20.0A

时间测量范围(Time measurement range):0-99h59min

功率测量范围(Power measurement range):0-999.9W-2000W

温度测量范围(Temperature measurement range):-15°C~60°C

容量测量范围(Capacity measurement range):0-999.99Ah-9999.9Ah

能量测量范围(Energy measurement range):0-99999Wh-9999kWh

电压测量精度: $\pm(0.5\%+2\text{个字})$

Voltage measurement accuracy: $\pm(0.5\%+2\text{digits})$

电流测量精度: $\pm(1\%+2\text{个字})$

Current measurement accuracy: $\pm(1\%+2\text{digits})$

产品重量(Product weight): 33g

产品尺寸(Product size): 48mmX29mmX22mm

显示界面说明

Display Interface Instruction



① 运行时间--Run time

② 功率显示--Power display

③ 数据组--Data set

④ 温度显示--Temperature display

⑤ 容量显示--Capacity display

⑥ 电压显示--Voltage display

⑦ 电流显示--Current display

⑧ 能量显示--Energy display

本测试仪设有0和1两个数据组,单击按键可以切换数据组。当数据组为第1组,断电时存储容量和能量累计值,待下次开机时继续累加。当数据组为第0组,断电时暂存当前容量和能量值,待下次开机时闪烁提醒上次累计值,但当累加容量超过0.01Ah时,上次数据自动清零,重新开始累计。在两个数据组中,长按按键都可以将累计数据清零。

This tester has 0 and 1 two data groups; and data groups are switched by press the key. When data group is the 1 group, the current capacity and energy will be stored after power off. And the stored values will be accumulated after power on. When the data group is the 0 group, the current capacity and energy will be stored after power off; when power on next time, the stored capacity and energy are blinking displayed. But when the new capacity is up to 0.01 Ah, the stored capacity and energy will be covered, and the values will start over. At the two data groups, the accumulated values can be cleared to zero by keeping pressing the key.

长期使用后,由于器件老化或环境温度变化影响,可能会导致小电流测量误差变大。解决的办法是拔掉电流线插座,按住按键不放给表头供电,待屏幕上显示"AAA"后放手,即进行了一次自动校准电流零点操作。



AAA

The component aging and temperature variation after long-term use may appear tiny error when it measures small current. To avoid this error, you can unplug the current wire socket and keep pressing the button to connect power supply, until the screen display "AAA", then loose button.

使用时请严格按照接线图接线

Please ensure proper wiring in strict accordance with the wiring diagram.

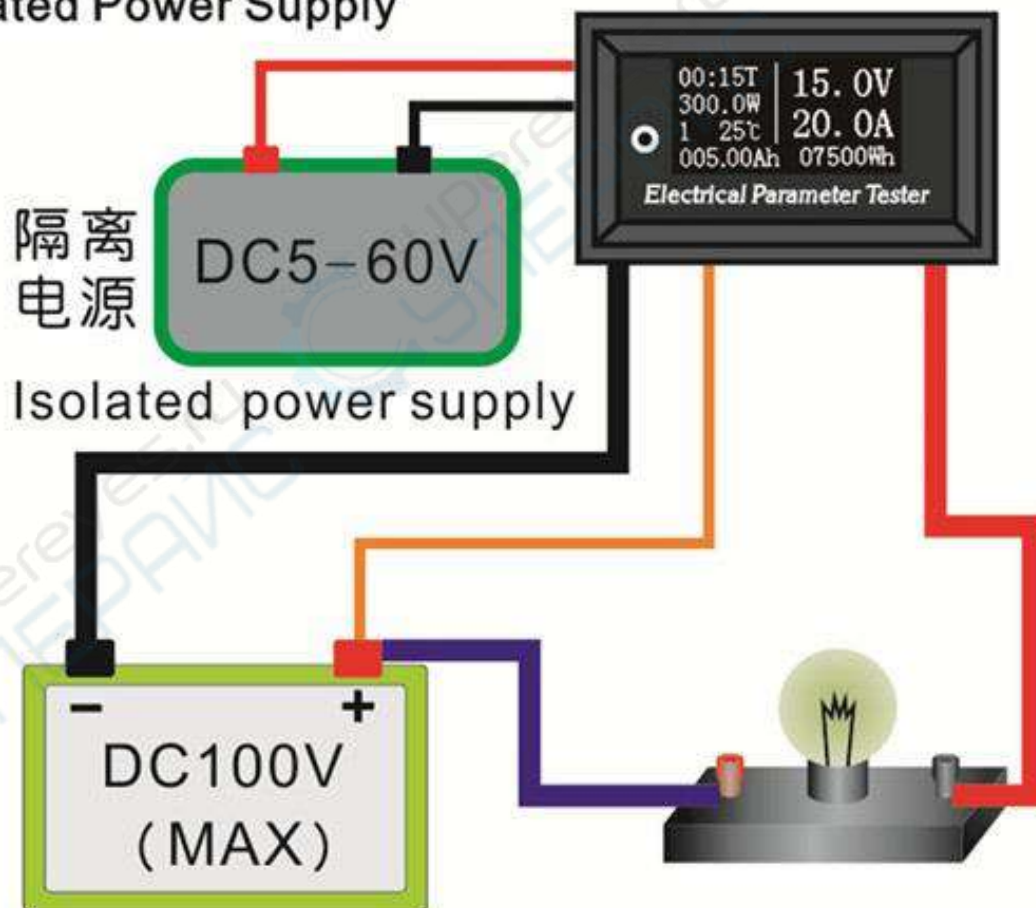
-  细红线 -- Red thin line
-  细黑线 -- Black thin line
-  细黄线 -- Yellow thin line
-  粗红线 -- Red thick line
-  粗黑线 -- Black thick line



负载 -- Load

使用隔离电源供电

Using Isolated Power Supply



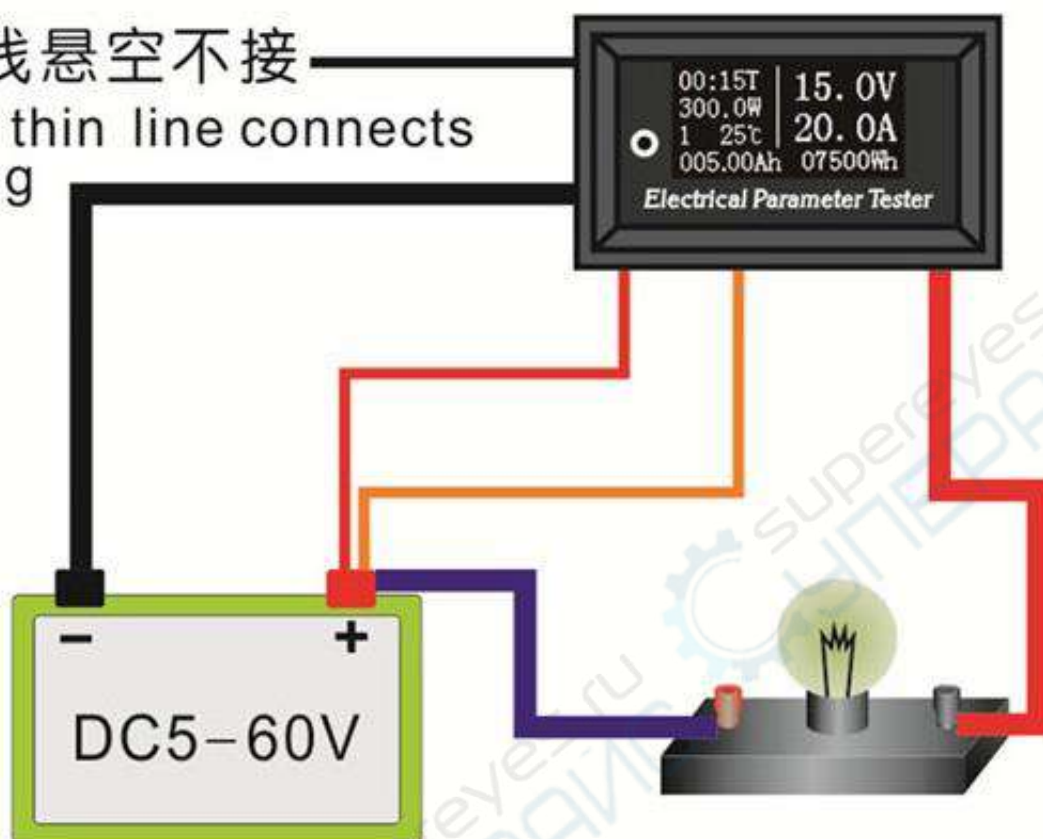
两个电源之间必须是完全隔离的，没有任何电气连接。仪表供电电源最高电压是60V。

The two power sources must be isolated and don't have any connections between them. The voltage of the isolated power supply must be less 60V.

使用系统取电

Using system to power supply

细黑线悬空不接
Black thin line connects
nothing



细黑线不需要接,但要做好绝缘,以防短路。

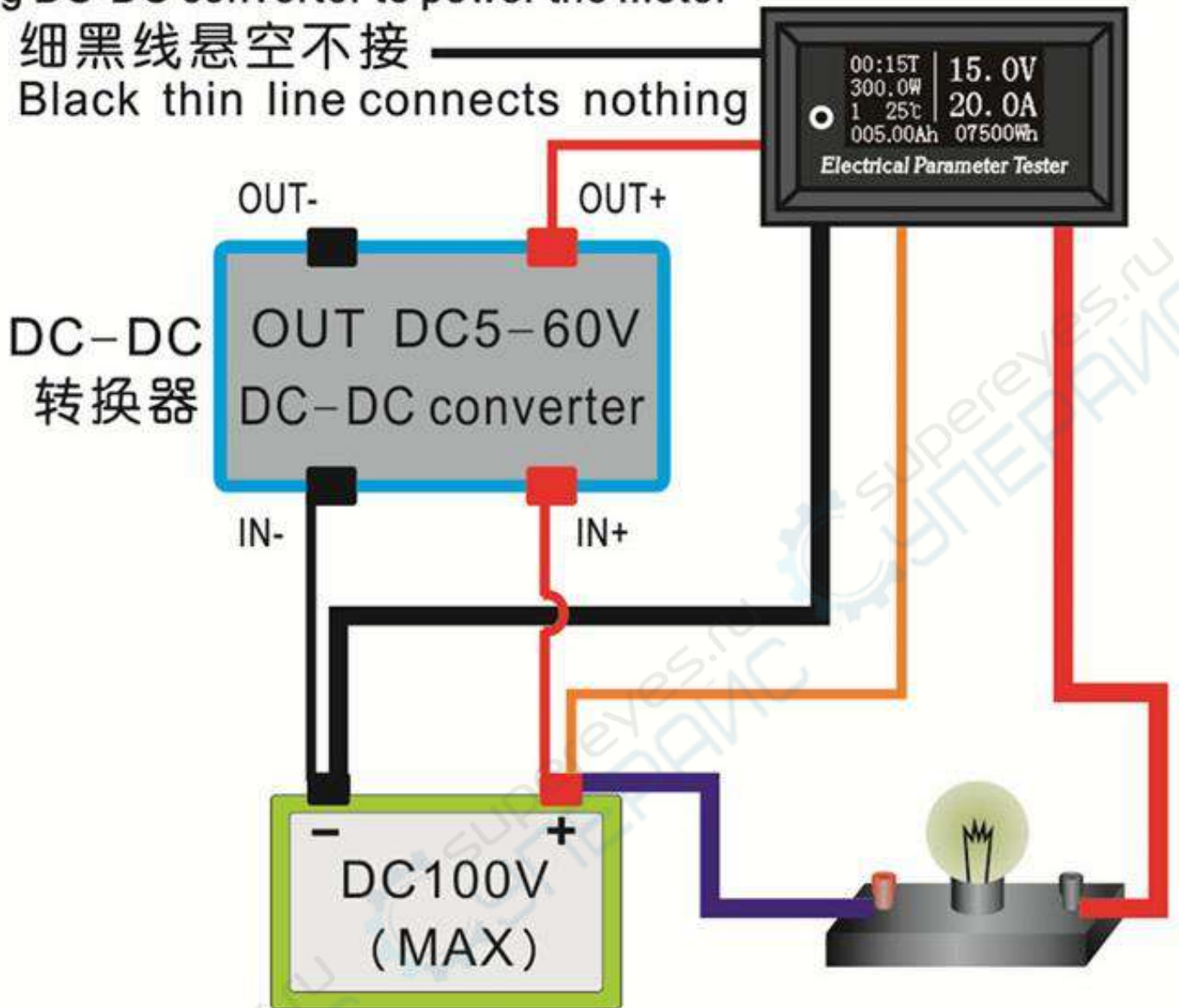
The black thin wire connects nothing and you should use insulator wrap it to avoid short circuit.

使用DC-DC转换器供电

Using DC-DC converter to power the meter

细黑线悬空不接

Black thin line connects nothing



细黑线不需要接,但要做好绝缘,以防短路。

DC-DC转换器必须是共负极结构。

The black thin wire connects nothing and you should use insulator to wrap it to avoid short circuit. The DC-DC converter must be common cathode structure.