



100W 12V DC LED Power Supply

MODEL HPS-12E100D
INPUT 100~240Vac
OUTPUT 12V DC 8.3A

Features:

- With built-in Active PFC(Power Factor Corrector),PF>0.9
- Meet the IEC energy efficiency standards.5 Years warranty
- Waterproof IP68,suitable for indoor or outdoor LED application
- Long life span waterproof LED power supply with high efficiency
- With EMC,meet the newest electromagnetic compatibility standard
- Seamless aluminum housing with Class I design&Cooling by free air convection
- Protection:undervoltage/short circuit/over voltage/over load

SELV



INPUT

INPUT VOLTAGE	90~264V AC
FREQUENCY RANGE	47~63Hz
EFFICIENCY	88%
AC CURRENT	≤ 0.625A@230VAC ≤ 1.25A@115VAC
AC INRUSH CURRENT	≤ 60A@230VAC
LEAKAGE CURRENT	≤ 0.75mA/264Vac

OUTPUT

DC OUTPUT	12V
OUTPUT CURRENT	8.3A
RATED POWER	100W
VOLTAGE TOLERANCE	±5%
RIPPLE NOISE	200mV P-P(Max.)
SETUP RISE TIME	≤1000mS(Max.)/230VAC ≤2000mS(Max.)/115VAC

PROTECTION

OVER LOAD	95%-105% rated power, Protection Type:auto-recovery, after fault condition is removed
SHORT CIRCUIT	Protection Type:recovery automatically after fault condition is removed

ENVIRONMENT

OPERATING TEMPERATURE	-25°C~+60°C (Refer to the derating curve of "Loading and Ambient temperatuer")
WATERPROOF LEVEL	IP68
STORAGE TEMPERATURE	-35°C~+65°C

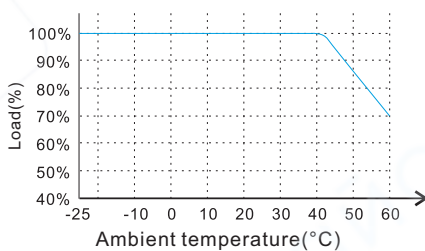
SAFETY & EMC

SAFETY STANDARDS	IEC61347 A1 + A13
EMC	EN 55015;EN 61547;EN 61000-3-2; EN 61000-3-3
WITHSTAND VOLTAGE	I/P-FG:1.5KV AC I/P-O/P:3.75KV AC
ISOLATION	I/P-O/P:> 100M Ohms/500VDC/25°C /75%RH

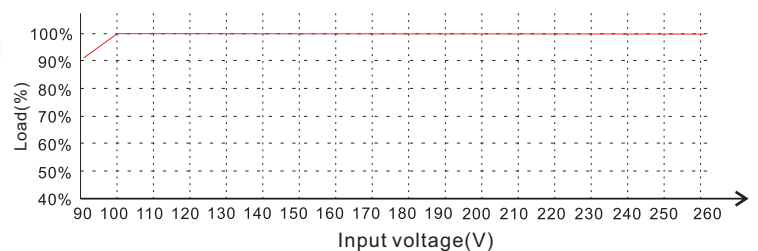
WEIGHT & PACKING

PRODUCT DIMENSION	197x71.5x38mm
NET WEIGHT	0.87KG
QUANTITY	20PCS
PACKING DIMENSION	390x260x250mm
GROSS WEIGHT	18.4KG

LOADING AND AMBIENT TEMPERATURE



LOADING AND INPUT VOLTAGE



INSTALLATION GUIDE

- It is recommended to use no more than 80% of the rated load of a power supply, to have tolerance for the power increase of LED modules or strips when their running temperature goes up.
- It is very important to have enough ventilation for a power supply to avoid overheating.
- Do not install the power supply in a closed place, or near flammable or explosive objects.
- Choose wires with correct AWG or copper area for electrical connection according to the rated current.

OVERVIEW



TOP VIEW



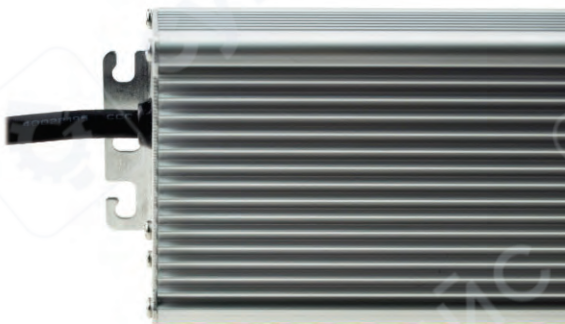
FRONT VIEW



BOTTOM VIEW



AC INPUT CONNECTION

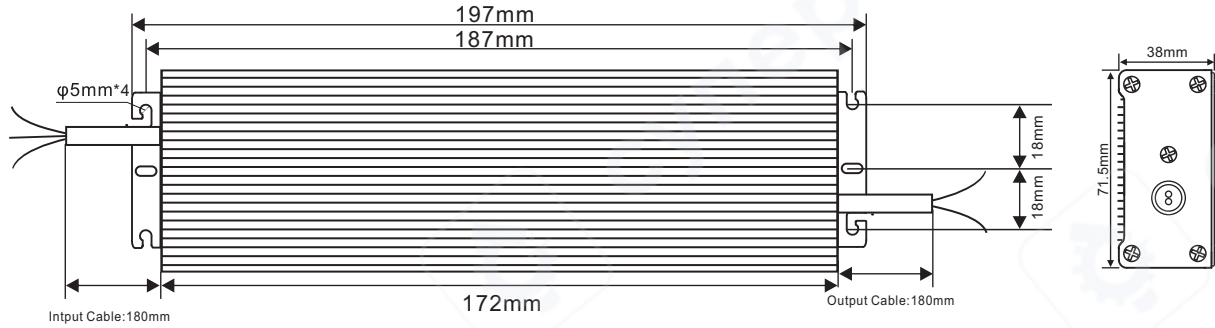


G: Yellow/Green
L: Brown
N: Blue

DC OUTPUT CONNECTION



PRODUCT DIMENSION



INNER BOX



OUTSIDE CARTON

